



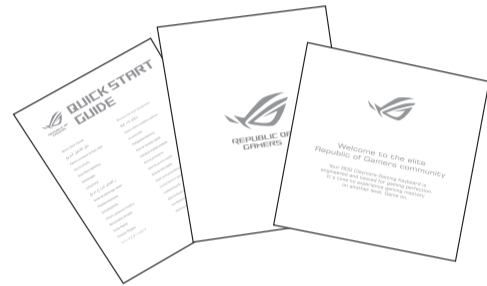
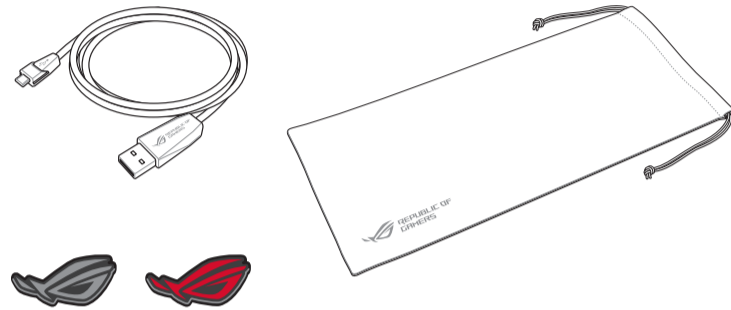
REPUBLIC OF GAMERS **MECHANICAL GAMING KEYBOARD**
ROG CLAYMORE CORE

- | | |
|---------------------------|---|
| Quick Start Guide | Beüzemelési útmutató |
| 快速使用指南 (繁體中文) | Стисле керівництво для початку експлуатації |
| 快速使用指南 (简体中文) | Instrukcja szybkiej instalacji |
| クイックスタートガイド | Rychlý průvodce |
| 빠른 시작 설명서 | Ghid de pornire rapidă |
| Guide de démarrage rapide | Snabbstartsguide |
| Schnellstartanleitung | Stručný návod na spustenie |
| Guía rápida | Quick Start-vejledning |
| Краткое руководство | Pikaopas |
| Guia de início rápido | Hurtigstartveiledning |
| Beknopte handleiding | Guia de consulta rápida |
| Hızlı Başlangıç Kılavuzu | دليل التشغيل السريع |

E11703
First Edition
May 2016
Copyright © ASUSTeK Computer Inc.
All Rights Reserved



Package Contents



- Sluit uw toetsenbord aan op de pc.
- Download en installeer de ROG Armoury software van www.asus.com/ROG-Republic-of-Gamers/ROG-Claymore-Core/HelpDesk_Download/.
- Volg de softwareinstructies voor het bijwerken van de firmware van uw toetsenbord.
- Pas uw toetsenbord aan met Armoury.

- Ligue o teclado ao PC.
- Transfira e instale o software ROG Armoury a partir de www.asus.com/ROG-Republic-of-Gamers/ROG-Claymore-Core/HelpDesk_Download/.
- Siga as instruções do software para atualizar o firmware do teclado.
- Personalize o teclado utilizando o software Armoury.

- Подключите клавиатуру к компьютеру.
- Скачайте и установите программное обеспечение ROG Armoury с www.asus.com/ROG-Republic-of-Gamers/ROG-Claymore-Core/HelpDesk_Download/.
- Следуйте инструкциям для обновления прошивки клавиатуры.
- Настройка клавиатуры с помощью Armoury.

- Liitä näppäimistö PC-tietokoneeseen.
- Lataa ja asenna ROG Armoury -ohjelmisto osoitteesta www.asus.com/ROG-Republic-of-Gamers/ROG-Claymore-Core/HelpDesk_Download/.
- Päivitä näppäimistösi laiteohjelmisto ohjelmiston ohjeiden mukaisesti.
- Mukauta näppäimistösi Armoury-ohjelmistolla.

- Csatlakoztassa a billentyüzetet a PC-hez.
- Tölts le és telepítse az ROG Armoury szoftvert a következő weboldalról: www.asus.com/ROG-Republic-of-Gamers/ROG-Claymore-Core/HelpDesk_Download/.
- Frissítse a billentyűzet firmware-ét a szoftver útmutatása szerint.
- Testreszabhatja a billentyűzetet az Armoury segítségével.

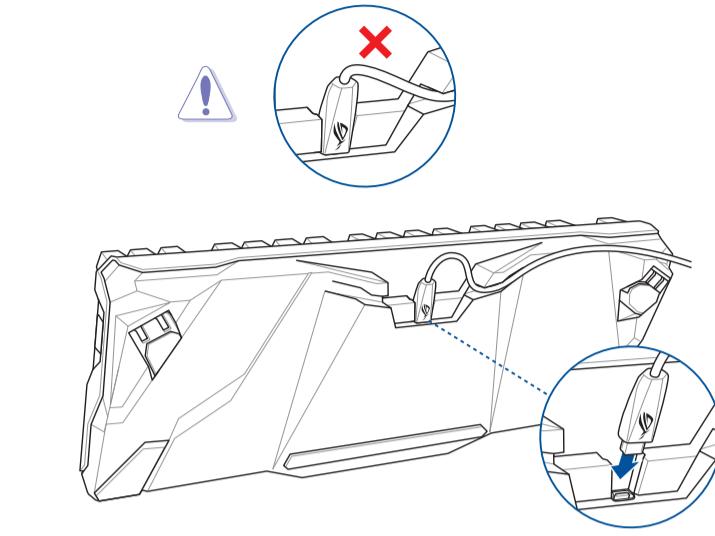
- Koble tastaturet til PC-en.
- Last ned og installer ROG Armoury-programvaren fra www.asus.com/ROG-Republic-of-Gamers/ROG-Claymore-Core/HelpDesk_Download/.
- Følg bruksanvisningen i programvaren for å oppdatere fastvaren til tastaturet.
- Tilpass tastaturet ved hjelp av Armoury.

- Podłącz klawiaturę do komputera.
- Pobierz i zainstaluj oprogramowanie ROG Armoury ze strony www.asus.com/ROG-Republic-of-Gamers/ROG-Claymore-Core/HelpDesk_Download/.
- Wykonaj instrukcje w oprogramowaniu, aby zaktualizować oprogramowanie sprzętowe klawiatury.
- Dostosuj klawiaturę za pomocą oprogramowania Armoury.

- Klávesnici pripojte k počítaču.
- Z lokality www.asus.com/ROG-Republic-of-Gamers/ROG-Claymore-Core/HelpDesk_Download/ si prevezmite súbor ROG Armoury a nainštalujte si ho.
- Pri aktualizovaní firmvéru klávesnice postupujte podľa návodu na softvér.
- Klávesnicu si prispôbte podľa aplikácie Armoury.

- Anslut ditt tangentbord till datorn.
- Hämta och installera ROG Armoury-programvaran från www.asus.com/ROG-Republic-of-Gamers/ROG-Claymore-Core/HelpDesk_Download/.
- Följ programvaruinstruktionerna för att uppdatera tangentbordets inbyggda programvara.
- Anpassa tangentbordet med Armoury.

- Підключіть клавіатуру до ПК.
- Завантажте і встановіть ПЗ ROG Armoury з www.asus.com/ROG-Republic-of-Gamers/ROG-Claymore-Core/HelpDesk_Download/.
- Виконуйте інструкцію до ПЗ, щоб оновити мікропрограму клавіатури.
- Пристосуйте клавіатуру за допомогою Armoury.



- Connect your keyboard to the PC.
- Download and install the ROG Armoury software from www.asus.com/ROG-Republic-of-Gamers/ROG-Claymore-Core/HelpDesk_Download/.
- Follow the software instructions to update your keyboard's firmware.
- Customize your keyboard using Armoury.

- Connectez votre clavier à l'ordinateur.
- Téléchargez et installez le logiciel ROG Armoury sur www.asus.com/ROG-Republic-of-Gamers/ROG-Claymore-Core/HelpDesk_Download/.
- Suivez les instructions du logiciel pour mettre à jour le firmware de votre clavier.
- Personnalisez votre clavier avec Armoury.

۱. وصل لوحة المفاتيح بالحواسب الشخصي.
۲. قم بتحميل برنامج ROG Armoury وتنصيبه من خلال الرابط www.asus.com/ROG-Republic-of-Gamers/ROG-Claymore-Core/HelpDesk_Download/.
۳. اتبع تعليمات البرنامج لتحديث البرنامج الثابت الخاص بلوحة المفاتيح لديك.
۴. خصص لوحة المفاتيح لديك باستخدام برنامج Armoury.

- Conectați tastatura la PC.
- Descărcați și instalați software-ul ROG Armoury de la adresa www.asus.com/ROG-Republic-of-Gamers/ROG-Claymore-Core/HelpDesk_Download/.
- Urmați instrucțiunile software-ului pentru a actualiza firmware-ul tastaturii.
- Particularizați tastatura cu ajutorul software-ului Armoury.

- 将键盘连接至电脑。
- 下载并安装 ROG Armoury 软件。下载地址：www.asus.com/ROG-Republic-of-Gamers/ROG-Claymore-Core/HelpDesk_Download/
- 依照软件指示更新键盘固件。
- 通过 Armoury 个性化您的键盘。

- USBケーブルで本製品とパソコンを接続します。
- ASUS Web サイトのサポートページからドライバーソフトウェアをダウンロードし実行します。www.asus.com/ROG-Republic-of-Gamers/ROG-Claymore-Core/HelpDesk_Download/
- 画面の指示に従い、キーボードのファームウェアを更新します。
- Armoury ユーティリティでキーボードの設定をカスタマイズします。

- 키보드를 PC에 연결합니다.
- www.asus.com/ROG-Republic-of-Gamers/ROG-Claymore-Core/HelpDesk_Download/에서 ROG Armoury 소프트웨어를 다운로드하여 설치합니다.
- 소프트웨어 지침에 따라 키보드의 펌웨어를 업데이트합니다.
- Armoury를 사용하여 키보드를 사용자 지정합니다.

- Schließen Sie Ihre Tastatur an den PC an.
- Laden Sie die ROG Armoury Software unter www.asus.com/ROG-Republic-of-Gamers/ROG-Claymore-Core/HelpDesk_Download/ herunter und installieren Sie sie.
- Befolgen Sie die Anweisungen in der Software, um die Firmware Ihrer Tastatur zu aktualisieren.
- Passen Sie Ihre Tastatur über Armoury an.

- Collegate la tastiera al PC.
- Scaricate e installate il software ROG Armoury dal sito www.asus.com/ROG-Republic-of-Gamers/ROG-Claymore-Core/HelpDesk_Download/.
- Seguite le istruzioni del software per aggiornare il firmware della vostra tastiera.
- Usate Armoury per personalizzare la vostra tastiera.

- Conecte el teléfono a su PC.
- Descargue e instale el software ROG Armoury desde www.asus.com/ROG-Republic-of-Gamers/ROG-Claymore-Core/HelpDesk_Download/.
- Siga las instrucciones de software para actualizar el firmware del teclado.
- Personalice el teclado mediante Armoury.

- Klavyenizi bilgisayaraya bağlayın.
- ROG Armoury yazılımını www.asus.com/ROG-Republic-of-Gamers/ROG-Claymore-Core/HelpDesk_Download/ adresinden indirip yükleyin.
- Klavyenin yazılım güncellemek için yazılım yönergelerini izleyin.
- Armoury yazılımını kullanarak klavyenizi özelleştirin.

- Pripojte klávesnici k počítaču.
- Stáhněte a nainštalujte software ROG Armoury z webu www.asus.com/ROG-Republic-of-Gamers/ROG-Claymore-Core/HelpDesk_Download/.
- Podle pokynů softwaru zaktualizujte firmware klávesnice.
- Přizpůsobte vaši klávesnici pomocí Armoury.

- Forbind dit tastatur til din pc.
- Download og installer programmet ROG Armoury fra www.asus.com/ROG-Republic-of-Gamers/ROG-Claymore-Core/HelpDesk_Download/.
- Følg instruktionerne i programmet, for at opdatere firmvaren til dit tastatur.
- Tilpas dit tastatur ved brug af Armoury.

- 將鍵盤連接至電腦。
- 下載並安裝 ROG Armoury 軟體。下載位址：www.asus.com/ROG-Republic-of-Gamers/ROG-Claymore-Core/HelpDesk_Download/
- 依照軟體指示更新鍵盤韌體。
- 透過 Armoury 客製化您的鍵盤。



Notices

Federal Communications Commission Statement

This device complies with Part 15 of the FCC Rules. Operation is subject to the following two conditions:

- This device may not cause harmful interference.
- This device must accept any interference received including interference that may cause undesired operation.

This equipment has been tested and found to comply with the limits for a Class B digital device, pursuant to Part 15 of the FCC Rules. These limits are designed to provide reasonable protection against harmful interference in a residential installation. This equipment generates, uses and can radiate radio frequency energy and, if not installed and used in accordance with manufacturer's instructions, may cause harmful interference to radio communications. However, there is no guarantee that interference will not occur in a particular installation. If this equipment does cause harmful interference to radio or television reception, which can be determined by turning the equipment off and on, the user is encouraged to try to correct the interference by one or more of the following measures:

- Reorient or relocate the receiving antenna.
- Increase the separation between the equipment and receiver.
- Connect the equipment to an outlet on a circuit different from that to which the receiver is connected.
- Consult the dealer or an experienced radio/TV technician for help.



The use of shielded cables for connection of the monitor to the graphics card is required to assure compliance with FCC regulations. Changes or modifications to this unit not expressly approved by the party responsible for compliance could void the user's authority to operate this equipment.

IC: Canadian Compliance Statement

Complies with the Canadian ICES-003 Class B specifications. This device complies with RSS 210 of Industry Canada. This Class B device meets all the requirements of the Canadian interference-causing equipment regulations.

This device complies with Industry Canada license exempt RSS standard(s). Operation is subject to the following two conditions: (1) this device may not cause interference, and (2) this device must accept any interference, including interference that may cause undesired operation of the device.

Cet appareil numérique de la Classe B est conforme à la norme NMB-003 du Canada. Cet appareil numérique de la Classe B respecte toutes les exigences du Règlement sur le matériel brouilleur du Canada.

Cet appareil est conforme aux normes CNR exemptes de licence d'Industrie Canada. Le fonctionnement est soumis aux deux conditions suivantes :

- (1) cet appareil ne doit pas provoquer d'interférences et
- (2) cet appareil doit accepter toute interférence, y compris celles susceptibles de provoquer un fonctionnement non souhaité de l'appareil.

Canadian Department of Communications Statement

This digital apparatus does not exceed the Class B limits for radio noise emissions from digital apparatus set out in the Radio Interference Regulations of the Canadian Department of Communications.

This class B digital apparatus complies with Canadian ICES-003.

VCCI: Japan Compliance Statement

Class B ITE

この装置は、クラスB情報技術装置です。この装置は、家庭環境で使用することを目的としていますが、この装置がラジオやテレビジョン受信機に近接して使用されると、受信障害を引き起こすことがあります。

取扱説明書に従って正しい取り扱いをして下さい。

VCCI-B

REACH

Complying with the REACH (Registration, Evaluation, Authorisation, and Restriction of Chemicals) regulatory framework, we published the chemical substances in our products at ASUS REACH website at <http://csr.asus.com/english/REACH.htm>.



DO NOT throw the keyboard in municipal waste. This product has been designed to enable proper reuse of parts and recycling. This symbol of the crossed out wheeled bin indicates that the product (electrical and electronic equipment) should not be placed in municipal waste. Check local regulations for disposal of electronic products.

ASUS Recycling/Takeback Services

ASUS recycling and takeback programs come from our commitment to the highest standards for protecting our environment. We believe in providing solutions for you to be able to responsibly recycle our products, batteries, other components as well as the packaging materials. Please go to <http://csr.asus.com/english/Takeback.htm> for detailed recycling information in different regions.

Regional notice for California

WARNING: This product may contain chemicals known to the State of California to cause cancer, birth defects or other reproductive harm. Wash hands after handling.



Latviski ASUSTeK Computer Inc. ar šo paziņo, ka šī ierīce atbilst saistošo Direktīvu būtiskajām prasībām un citiem citiem saistošajiem nosacījumiem. Pilns ES atbilstības paziņojuma teksts pieejams šeit: www.asus.com/support

Lietuvių „ASUSTeK Computer Inc.“ šiuo tvirtina, kad šis įrenginys atitinka pagrindinius reikalavimus ir kitas svarbias susijusių direktyvų nuostatas. Visą ES atitikties deklaracijos tekstą galima rasti: www.asus.com/support

Norsk ASUSTeK Computer Inc. erklærer herved at denne enheten er i samsvar med hovedsaklige krav og andre relevante forskrifter i relaterte direktiver. Fullstendig tekst for EU-samsvarserklæringen finnes på: www.asus.com/support

Polski Firma ASUSTeK Computer Inc. niniejszym oświadczam, że urządzenie to jest zgodne z zasadniczymi wymogami i innymi właściwymi postanowieniami powiązanych dyrektyw. Pełny tekst deklaracji zgodności UE jest dostępny pod adresem: www.asus.com/support

Português A ASUSTeK Computer Inc. declara que este dispositivo está em conformidade com os requisitos essenciais e outras disposições relevantes das Diretivas relacionadas. Texto integral da declaração da UE disponível em: www.asus.com/support

Română ASUSTeK Computer Inc. declară că acest dispozitiv se conformează cerințelor esențiale și altor prevederi relevante ale directivelor conexe. Textul complet al declarației de conformitate a Uniunii Europene se găsește la: www.asus.com/support

Srpski ASUSTeK Computer Inc. ovim izjavljuje da je ovaj uređaj u saglasnosti sa osnovnim zahtevima i drugim relevantnim odredbama povezanih Direktiva. Pun tekst EU deklaracije u saglasnosti je dostupan da adresi: www.asus.com/support

Slovensky Spoločnosť ASUSTeK Computer Inc. týmto vyhlasuje, že toto zariadenie vyhovuje základným požiadavkám a ostatným príslušným ustanoveniam príslušných smerníc. Celý text vyhlásenia o zhode pre štáty EÚ je dostupný na adrese: www.asus.com/support

Slovensčina ASUSTeK Computer Inc. izjavlja, da je ta naprava skladna z bistvenimi zahtevami in drugimi ustreznimi določbami povezanih direktiv. Celotno besedilo EU-izjave o skladnosti je na voljo na spletnem mestu: www.asus.com/support

Español Por la presente, ASUSTeK Computer Inc. declara que este dispositivo cumple los requisitos básicos y otras disposiciones pertinentes de las directivas relacionadas. El texto completo de la declaración de la UE de conformidad está disponible en: www.asus.com/support

Svenska ASUSTeK Computer Inc. förklarar härmed att denna enhet överensstämmer med de grundläggande kraven och andra relevanta föreskrifter i relaterade direktiv. Fulltext av EU-försäkran om överensstämmelse finns på: www.asus.com/support

Українська ASUSTeK Computer Inc. заявляє, що цей пристрій відповідає основним вимогам та іншим відповідним положенням відповідних Директив. Повний текст декларації відповідності стандартам ЄС доступний на: www.asus.com/support

Türkçe ASUSTeK Computer Inc., bu aygıtın temel gereksinimlerle ve ilişkili Yönergelerin diğer ilgili koşullarıyla uyumlu olduğunu beyan eder. AB uyumluk bildirimini tam metni şu adreste bulunabilir: www.asus.com/support

Bosanski ASUSTeK Computer Inc. ovim izjavljuje da je ovaj uređaj usklađen sa bitnim zahtjevima i ostalim odgovarajućim odredbama vezanih direktiva. Cijeli tekst EU izjave o usklađenosti dostupan je na: www.asus.com/support

ASUS contact information

ASUSTeK COMPUTER INC.

Address 4F, No. 150, Li-Te Road, Peitou, Taipei 112, Taiwan
Telephone +886-2-2894-3447
Fax +886-2-2890-7798
Web site www.asus.com

Technical Support

Telephone +86-21-38429911
Fax +86-21-5866-8722, ext. 9101#
Online support <http://qr.asus.com/techserv>

ASUS COMPUTER INTERNATIONAL (America)

Address 800 Corporate Way, Fremont, CA 94539, USA
Telephone +1-510-739-3777
Fax +1-510-608-4555
Web site <http://www.asus.com/us/>

Technical Support

Support fax +1-812-284-0883
Telephone +1-812-282-2787
Online support <http://qr.asus.com/techserv>

ASUS COMPUTER GmbH (Germany and Austria)

Address Harkort Str. 21-23, 40880 Ratingen, Germany
Fax +49-2102-959931
Web site <http://www.asus.com/de>
Online contact <http://eu-rna.asus.com/sales>

Technical Support

Telephone +49-2102-5789555
Support Fax +49-2102-959911
Online support <http://qr.asus.com/techserv>

Manufacturer	ASUSTeK Computer Inc.
	Tel: +886-2-2894-3447 Address: 4F, No. 150, LI-TE RD., PEITOU, TAIPEI 112, TAIWAN
Authorised representative in Europe	ASUSTeK Computer GmbH
	Address: HARKORT STR. 21-23, 40880 RATINGEN, GERMANY

English ASUSTeK Computer Inc. hereby declares that this device is in compliance with the essential requirements and other relevant provisions of related Directives. Full text of EU declaration of conformity available at: www.asus.com/support

Français ASUSTeK Computer Inc. déclare par la présente que cet appareil est conforme aux critères essentiels et autres clauses pertinentes des directives concernées. La déclaration de conformité de l'UE peut être téléchargée à partir du site Internet suivant : www.asus.com/support.

Deutsch ASUSTeK Computer Inc. erklärt hiermit, dass dieses Gerät mit den wesentlichen Anforderungen und anderen relevanten Bestimmungen der zugehörigen Richtlinien übereinstimmt. Der gesamte Text der EU-Konformitätserklärung ist verfügbar unter: www.asus.com/support

Italiano ASUSTeK Computer Inc. con la presente dichiara che questo dispositivo è conforme ai requisiti essenziali e alle altre disposizioni pertinenti con le direttive correlate. Il testo completo della dichiarazione di conformità UE è disponibile all'indirizzo: www.asus.com/support

Русский Компания ASUS заявляет, что это устройство соответствует основным требованиям и другим соответствующим условиям соответствующих директив. Подробную информацию, пожалуйста, смотрите на www.asus.com/support

Български С настоящото ASUSTeK Computer Inc. декларира, че това устройство е в съответствие със съществените изисквания и другите приложими постановления на свързаните директиви. Пълният текст на декларацията за съответствие на EC е достъпна на адрес: www.asus.com/support

Hrvatski ASUSTeK Computer Inc. ovim izjavljuje da je ovaj uređaj sukladan s bitnim zahtjevima i ostalim odgovarajućim odredbama vezanih direktiva. Cijeli tekst EU izjave o sukladnosti dostupan je na: www.asus.com/support

Čeština Společnost ASUSTeK Computer Inc. tímto prohlašuje, že toto zařízení splňuje základní požadavky a další příslušná ustanovení souvisejících směrnic. Plné znění prohlášení o shodě EU je k dispozici na adrese: www.asus.com/support

Dansk ASUSTeK Computer Inc. erklærer hermed, at denne enhed er i overensstemmelse med hovedkravene og andre relevante bestemmelser i de relaterede direktiver. Hele EU-overensstemmelseserklæringen kan findes på: www.asus.com/support

Nederlands ASUSTeK Computer Inc. verklaart hierbij dat dit apparaat voldoet aan de essentiële vereisten en andere relevante bepalingen van de verwante richtlijnen. De volledige tekst van de EU-verklaring van conformiteit is beschikbaar op: www.asus.com/support

Eesti Käesolevaga kinnitab ASUSTeK Computer Inc. et see seade vastab asjakohaste direktiivide olulistele nõuetele ja teistele asjassepuutuvatele sätetele. EL vastusdeklaratsiooni täielik tekst on saadaval järgmisel aadressil: www.asus.com/support

Suomi ASUSTeK Computer Inc. ilmoittaa täten, että tämä laite on asiaankuuluvien direktiivien olennaisten vaatimusten ja muiden tätä koskevien säädösten mukainen. EU-yhdenmukaisuusilmoituksen koko teksti on luettavissa osoitteessa: www.asus.com/support

Ελληνικά Με το παρόν, η ASUSTeK Computer Inc. δηλώνει ότι αυτή η συσκευή συμμορφώνεται με τις θεμελιώδεις απαιτήσεις και άλλες σχετικές διατάξεις των Οδηγιών της ΕΕ. Το πλήρες κείμενο της δήλωσης συμβατότητας είναι διαθέσιμο στη διεύθυνση: www.asus.com/support

Magyar Az ASUSTeK Computer Inc. ezennel kijelenti, hogy ez az eszköz megfelel a kapcsolódó irányelvek lényeges követelményeinek és egyéb vonatkozó rendelkezéseinek. Az EU megfelelőségi nyilatkozat teljes szövege innen letölthető: www.asus.com/support