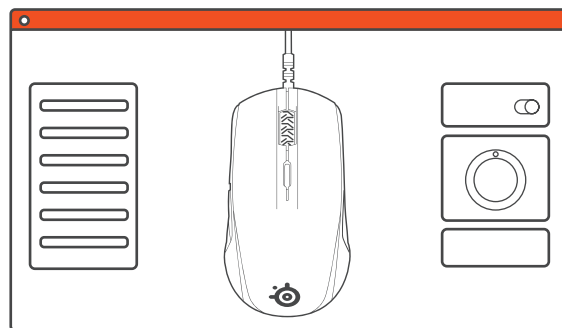


RIVAL 110

Product Information Guide

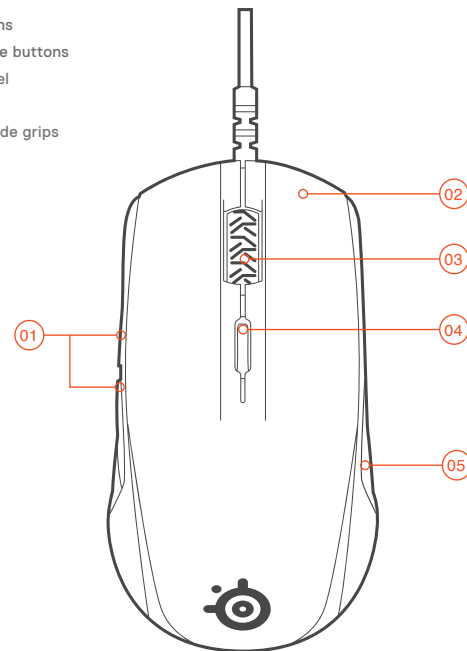
a. STEELSERIES ENGINE



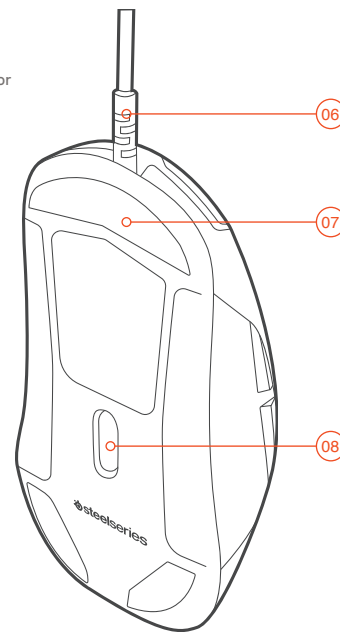
To enjoy GameSense integration, custom lighting effects, customization of mouse settings, as well as programming macros on your new Rival 110 mouse, download SteelSeries Engine at steelseries.com/engine

b. PRODUCT OVERVIEW

- 01 Side buttons
- 02 Main mouse buttons
- 03 Scroll wheel
- 04 CPI button
- 05 Textured side grips



- 06 USB cable
- 07 PTFE feet
- 08 TrueMove1 Mouse sensor



c. PRODUCT INFORMATION

PACKAGE CONTENTS

Rival 110
Product Information Guide

ENGINE REQUIREMENTS

Platforms:
Windows 7 - Windows 10
Mac OS X 10.8 - 10.12

120 MB of free hard drive space for installation

SYSTEM COMPATIBILITY

PC / Mac

ESPAÑOL

a. SteelSeries Engine

Para disfrutar de la integración GameSense, efectos de iluminación personalizados, personalización de configuración del mouse, así como programación de macros en nuestro nuevo mouse Rival 110, descarga SteelSeries Engine en steelseries.com/engine

b. Descripción general del producto

- 01 Botones laterales
- 02 Botones principales del ratón
- 03 Rueda de desplazamiento
- 04 Botón CPI
- 05 Empuñaduras laterales texturizadas
- 06 Cable USB
- 07 Patas de PTFE
- 08 Sensor de ratón TrueMove1

c. Información del Producto

Contenido Del Paquete
Mouse Rival 110
Guía de información del producto

Requisito de Engine

Plataformas:
Windows 7 - Windows 10
Mac OS X 10.8 - 10.12

Se requieren 120 MB de espacio libre en el disco duro para la instalación

Compatibilidad del sistema
PC / Mac

简体中文

a. SteelSeries Engine

要想在您的 Rival 110 鼠标上尽享 GameSense 集成、自定义灯光效果、自定义鼠标设置、以及编程宏功能，请到 steelseries.com/engine 下载 SteelSeries Engine

繁體中文

a. SteelSeries Engine

如想在您的 Rival 110 滑鼠使用 GameSense 整合、自訂燈光效果、自訂滑鼠設定、以及設定巨集、請前往 steelseries.com/engine 下載 SteelSeries Engine。

b. 產品概覽

- 01 側邊按鈕
- 02 主滑鼠按鍵
- 03 滾輪
- 04 CPI 按鈕
- 05 PTFE 止滑側握

c. 產品訊息

包裝內容
Rival 110 滑鼠
產品信息指南

Engine 系統需求

適用平台
Windows 7 - Windows 10
Mac OS X 10.8 - 10.12

安裝需要 120MB 硬體空間

系統兼容性
PC / MAC

日本語

a. SteelSeries Engine

GameSense統合機能、カスタムライティングエフェクト、マウス設定のカスタマイズ、また新しいRival 110マウスでのマクロのプログラミングなどをご利用いただくには、SteelSeries Engineをsteelseries.com/engineからダウンロードしてください。

b. 製品概要

- 01 サイドボタン
- 02 メインのマウスボタン
- 03 スクロールホイール
- 04 CPIボタン
- 05 テクスチャードサイドグリップ
- 06 USBケーブル
- 07 PTFEフィート
- 08 TrueMove1マウスセンサー

c. 製品情報

パッケージの内容

Rival 110

製品情報ブック

エンジン要件

プラットフォーム

Windows 7 - Windows 10
Mac OS X 10.8 - 10.12

インストールに120MB以上の空き容量が必要。

システム互換性

PC / MAC

a. SteelSeries Engine

새 Rival 110 마우스의 GameSense 통합, 커스텀 조명 효과, 키보드 설정 사용자 지정, 매크로 프로그래밍 등을 즐기려면 steelseries.com/engine에서 SteelSeries Engine을 다운로드하십시오

Table with 3 columns: b. 제품 개요, c. 패키지 구성, and details for Rival 110 mouse.

a. SteelSeries Engine

Für GameSense-Integration, benutzerdefinierte Lichteffekte und Mauseinstellungen und zum Programmieren von Makros auf deiner neuen Rival 110 Maus, lade die SteelSeries Engine bei steelseries.com/engine herunter

Table with 3 columns: b. Produktüberblick, c. Produktinformation, and details for Rival 110 mouse.

a. SteelSeries Engine

Чтобы задействовать функцию GameSense, пользовательскую подсветку, настройки мыши и программирование макросов для мыши Rival 110, загрузите и установите службу SteelSeries Engine с сайта steelseries.com/engine

Table with 3 columns: b. Обзор изделия, c. Информация о товаре, and details for Rival 110 mouse.

a. SteelSeries Engine

Pour profiter de l'intégration Game-Sense, des effets d'illumination personnalisés, de la personnalisation de la configuration de la souris, ainsi que des macros de programmation sur votre nouvelle souris Rival 110, téléchargez SteelSeries Engine à l'adresse suivante : steelseries.com/engine

Table with 3 columns: b. Présentation du produit, c. Information produit, and details for Rival 110 mouse.

a. SteelSeries Engine

Per usufruire al meglio dell'integrazione GameSense, degli effetti di luce e delle impostazioni del mouse personalizzati e inoltre della programmazione delle macro sul tuo nuovo mouse Rival 110, scarica SteelSeries Engine su steelseries.com/engine

Table with 3 columns: b. Generalità sul prodotto, c. Informazioni sul prodotto, and details for Rival 110 mouse.

a. SteelSeries Engine

Para usar a integração do GameSense, efeitos de luz personalizados, personalização de configurações do mouse, assim como programar macros em seu novo mouse Rival 110, baixe o SteelSeries Engine em steelseries.com/engine

Table with 3 columns: b. SteelSeries Engine, c. Informação o produto, and details for Rival 110 mouse.

Требования движка Платформы:

Windows 7 - Windows 10 Mac OS X 10.8 - 10.12

Для установки нужно 120 МБ свободного места на жёстком диске.

Системная совместимость ПК / Mac

Information produit

Contenu de l'emballage

Souris Rival 110

Guide d'informations sur le produit

Prérequis Engine

Windows 7 - Windows 10 Mac OS X 10.8 - 10.12

120 Mo d'espace disque dur disponible pour l'installation

Compatibilité du système

PC / Mac

Informazioni sul prodotto

Contenuti della confezione

mouse Rival 110

Guida informazioni sul prodotto

Requisiti Engine

Windows 7 - Windows 10 Mac OS X 10.8 - 10.12

120 MB di spazio libero sull'hard drive per l'installazione

Compatibilità di sistema

PC / Mac

SteelSeries Engine

Para usar a integração do GameSense, efeitos de luz personalizados, personalização de configurações do mouse, assim como programar macros em seu novo mouse Rival 110, baixe o SteelSeries Engine em steelseries.com/engine

b. Visão geral do produto

- 01 Botões laterais
02 Botões principais do mouse
03 Rodinha do mouse
04 Botão CPI
05 Punhos laterais texturizados
06 Cabo USB
07 Pés de PTFE
08 Sensor do mouse TrueMove1

c. Informação do produto

Conteúdo do pacote

Mouse Rival 110

Guia de informação do produto

Requisitos do Engine

Windows 7 - Windows 10 Mac OS X 10.8 - 10.12

120 MB de espaço livre em disco para a instalação

Compatibilidade do sistema

PC / Mac



Europe - EU Declaration of Conformity Hereby, SteelSeries ApS. declares that the equipment which is compliance with directive RoHS 2.0 (2015/863/EU), R.E.D (2014/53/EU), EMC Directive (2014/30/EU), and LVD (2014/35/EU) which are issued by the Commission of the European Community.

SteelSeries ApS. hereby confirms, to date, based on the feedback from our suppliers indicates that our products shipping to the EU territory comply with REACH (Registration, Evaluation, Authorization, and Restriction of Chemicals - (EC) 1907/2006) compliance program.

We are fully committed to offering REACH compliance on the products and posting accurate REACH compliance status for the all of products.



WEEE This product must not be disposed of with your other household waste or treat them in compliance with the local regulations or contact your local city office, your household waste disposal service or the shop where you purchased the product.

Türkiye Cumhuriyeti: EEE Yönetmeliğine Uygundur

Обладнання відповідає вимогам Технічного регламенту щодо обмеження використання деяких небезпечних речовин в електричному та електронному обладнанні, затвердженого постановою Кабінету Міністрів України від 3 грудня 2008 № 1057

This product is compliant with requirements of Circular No. 30/2011/TT-BCT Regulations "STIPULATING TEMPORARILY THE PERMISSIBLE CONTENT LIMITATION OF SOME TOXIC CHEMICALS IN THE ELECTRONIC, ELECTRICAL PRODUCTS"

Restriction on Hazardous Substances statement (India) This product complies with the "India E-waste Rule 2011" and prohibits use of lead, mercury, hexavalent chromium, polybrominated biphenyls or polybrominated diphenyl ethers in concentrations exceeding 0.1 weight % and 0.01 weight % for cadmium, except for the exemptions set in Schedule 2 of the Rule.

«废弃电器电子产品回收处理管理条例» 提示性说明 为了更好地关爱及保护地球, 当用户不再需要此产品或产品寿命终止时, 请遵守国家废弃电器电子产品回收处理相关法律法规, 将其交给当地具有国家认可的回收处理资质的厂商进行回收处理。



Federal Communication Commission Interference Statement This device complies with Part 15 of the FCC Rules. Operation is subject to the following two conditions: (1) This device may not cause harmful interference, and (2) this device must accept any interference received, including interference that may cause undesired operation.

This equipment has been tested and found to comply with the limits for a Class B digital device, pursuant to Part 15 of the FCC Rules. These limits are designed to provide reasonable protection against harmful interference in a residential installation. This equipment generates, uses and can radiate radio frequency energy and, if not installed and used in accordance with the instructions, may cause harmful interference to radio communications. However, there is no guarantee that interference will not occur in a particular installation. If this equipment does cause harmful interference to radio or television reception, which can be determined by turning the equipment off and on, the user is encouraged to try to correct the interference by one of the following measures:

- Reorient or relocate the receiving antenna.
- Increase the separation between the equipment and receiver.
- Connect the equipment into an outlet on a circuit different from that to which the receiver is connected.
- Consult the dealer or an experienced radio/TV technician for help.

FCC Caution: Any changes or modifications not expressly approved by the party responsible for compliance could void the user's authority to operate this equipment.

This Class B digital apparatus complies with Canadian ICES-003. Cet appareil numérique de la classe B est conforme à la norme NMB-003 du Canada.

이 기기는 가정용(B급) 전자파적합기기로서 주로 가정에서 사용하는 것을 목적으로 하며, 모든 지역에서 사용할 수 있습니다

- 1. 상호명: SteelSeries ApS.
2. 기기명칭: Mouse
3. 모델명: M-00011
4. 인증번호: MSIP-REM-S54-M-00011
5. 제조사/제조국: SteelSeries ApS./China

この装置は、情報処理装置等電波障害自主規制協議会(VCCI)の基準に基づくクラス B 情報技術装置です。この装置、家庭環境で使用することを目的としていますが、この装置がラジオやテレビジョン受信機に近接して使用されると、受信障害を引き起こすことがあります。取扱説明書に従って正しい取り扱いをしてください。

该电子电气产品含有某些有害物质，在环保使用期限内可以放心使用，超过环保使用期限之后则应该进入回收循环系统。

ACMA Compliance (Australia/ New-Zealand) Custom Union Compliance. (Russia / Belarus / Kazakhstan) Direct Current

Product Name(產品名稱/产品名称): Gaming Mouse (滑鼠/鼠标) Model No. (型號/型号): M-00011 Rated (規格/规格): 5V ---, 100mA Made in China 中國製造/中国製造 Operating Temperature: 0 to +40 °C

Table with 7 columns: 設備名稱/Equipment name, 滑鼠/Mouse, 型號 (型式)/Type designation, M-00011, and 6 columns for restricted substances (鉛, 汞, 鎘, 六價鉻, 多溴聯苯, 多溴二苯醚).

The RoHS test method is based on the standards JIS C 0950 and CNS 15663.

Table with 7 columns: 零部名稱, 鉛 (Pb), 汞 (Hg), 鎘 (Cd), 六價鉻 (Cr(VI)), 多溴聯苯 (PBB), 多溴二苯醚 (PBDE).

Table with 2 columns: Regions, Contact information. Includes Asia, USA, and Europe.

More information and support at steelseries.com