

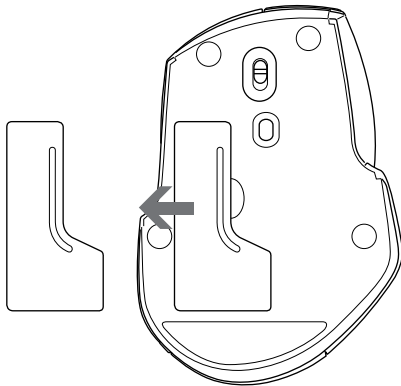


## Quick Installation Guide

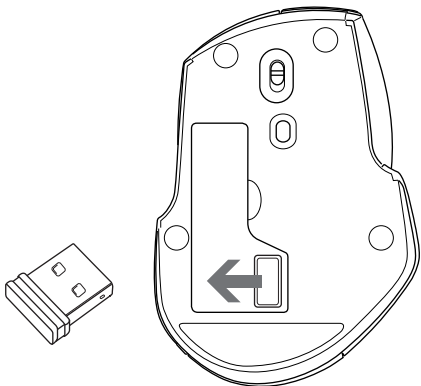
EVO Advanced Compact Laser Mouse

1

(A)

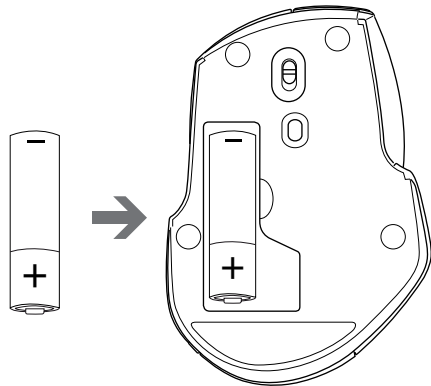


(B)

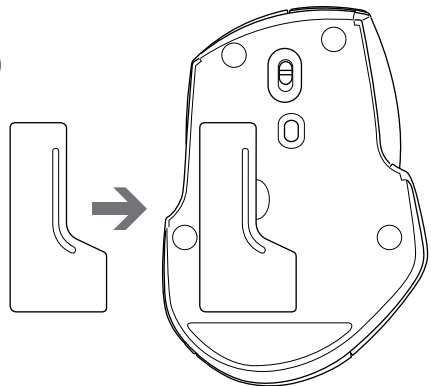


2

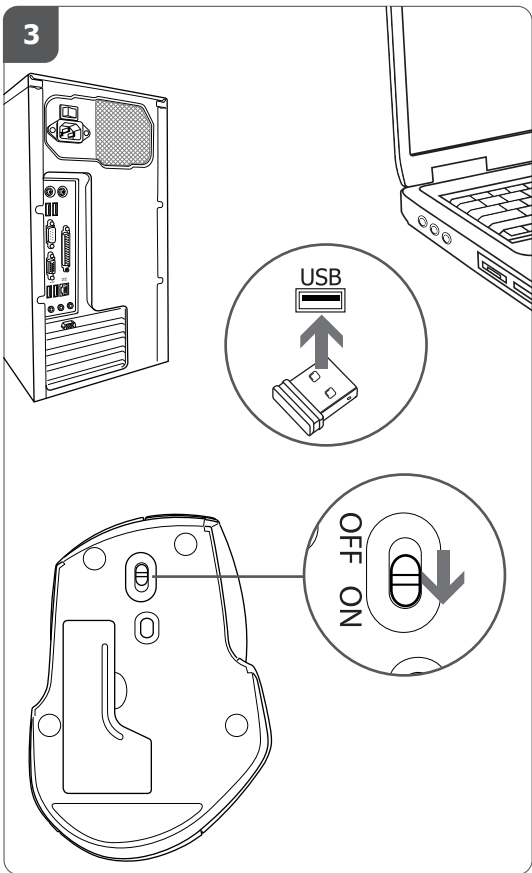
(A)



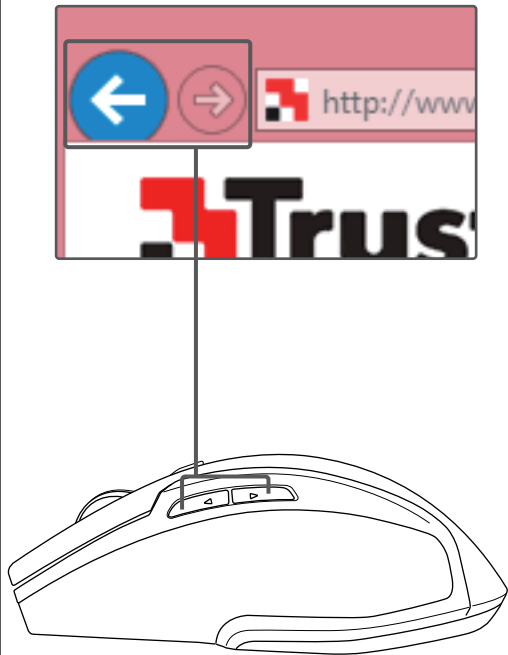
(B)



3



4



Frequently asked questions

[www.trust.com/20249/faq](http://www.trust.com/20249/faq)