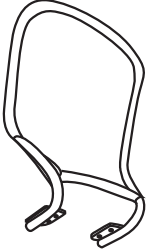





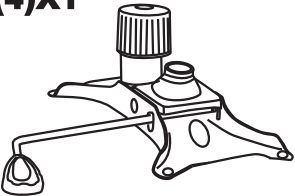




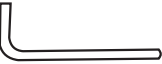


|                                                                                                   |                                                                                               |
|---------------------------------------------------------------------------------------------------|-----------------------------------------------------------------------------------------------|
| (1)X1<br>         | (7)X5<br>    |
| (2)X1<br>        | (8)X4<br>    |
| (3)X1(R)X1(L)<br> | (9)X4<br>    |
| (4)X1<br>        | (10)X6<br>   |
| (5)X1<br>      | (11)X1<br> |
| (6)X1<br>       | (12)X1<br> |

