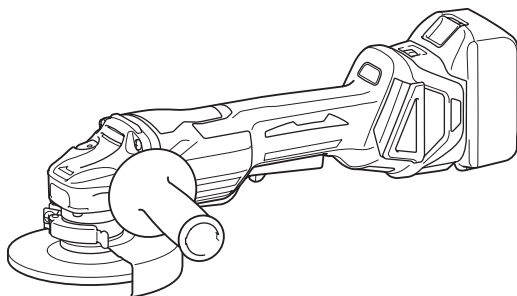
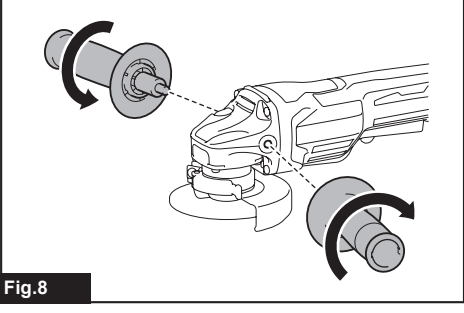
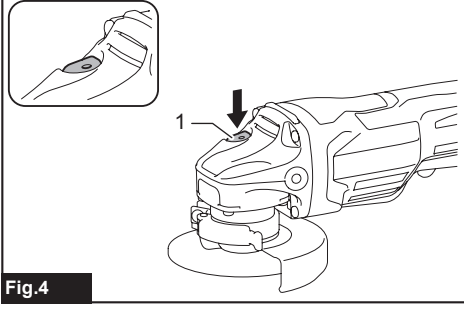
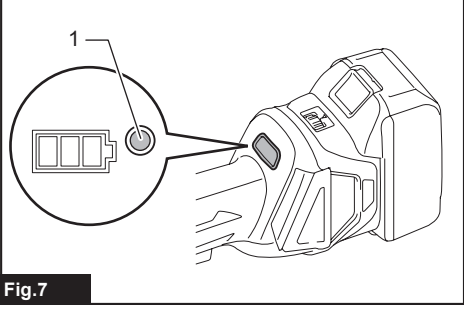
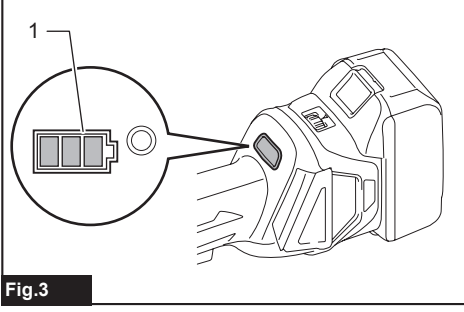
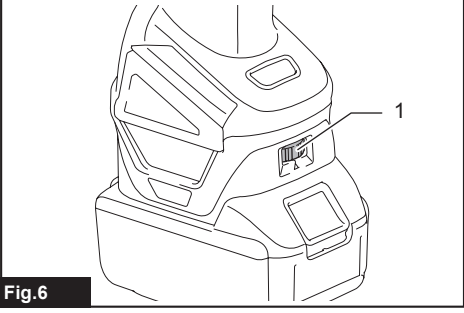
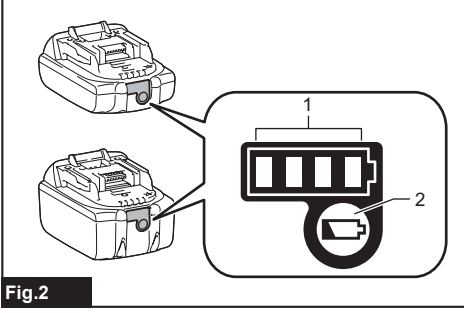
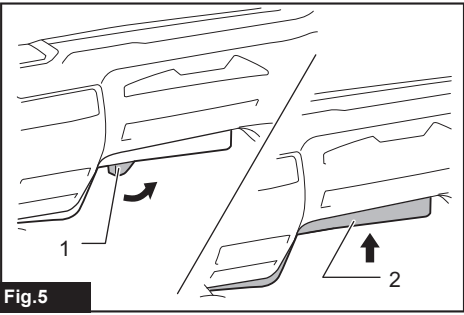
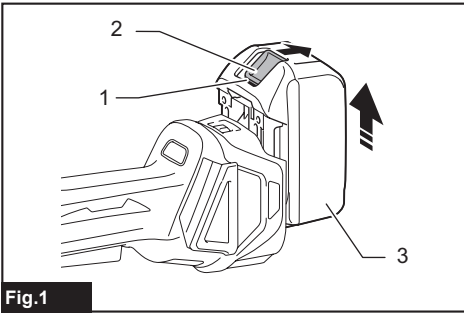




EN	Cordless Angle Grinder	INSTRUCTION MANUAL	8
SV	Batteridrivnen vinkelslipmaskin	BRUKSANVISNING	24
NO	Batteridrevet vinkelsliper	BRUKSANVISNING	40
FI	Akkukäyttöinen kulmahiomakone	KÄYTTÖOHJE	56
LV	Bezvada leņķa slīpmašīna	LIETOŠANAS INSTRUKCIJA	72
LT	Belaidis kampinis šlifuoכלis	NAUDOJIMO INSTRUKCIJA	88
ET	Juhtmeta nurklihvija	KASUTUSJUHEND	104
RU	Акумуляторная угловая шлифмашина	РУКОВОДСТВО ПО ЭКСПЛУАТАЦИИ	120

**DGA417,
DGA418
DGA467,
DGA468
DGA517,
DGA518**





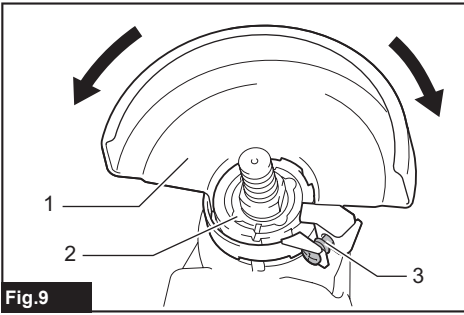


Fig.9

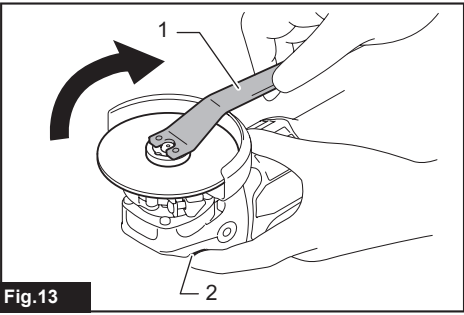


Fig.13

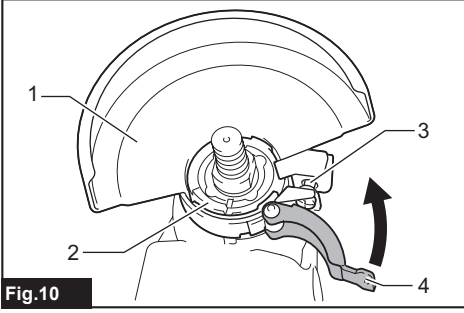


Fig.10

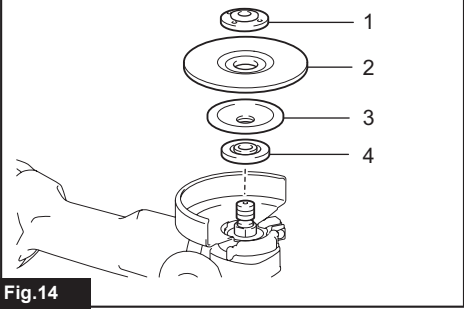


Fig.14

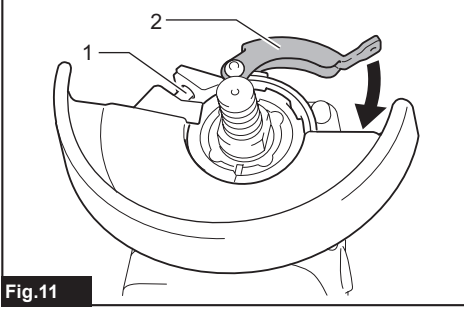


Fig.11

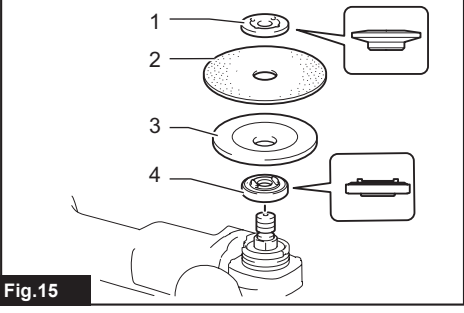


Fig.15

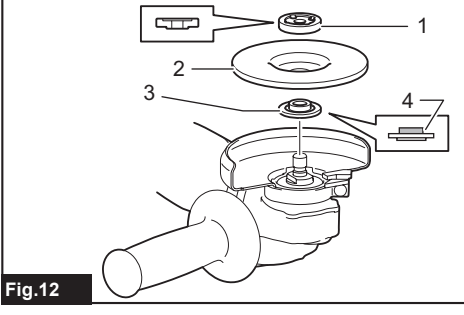


Fig.12

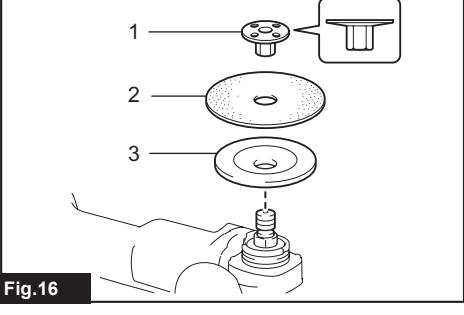


Fig.16

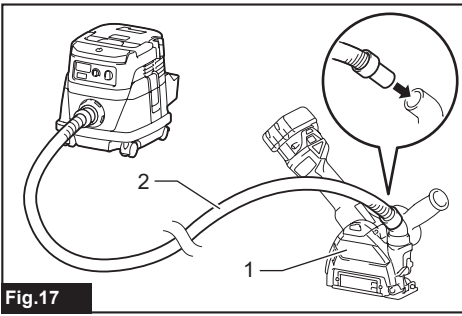


Fig.17

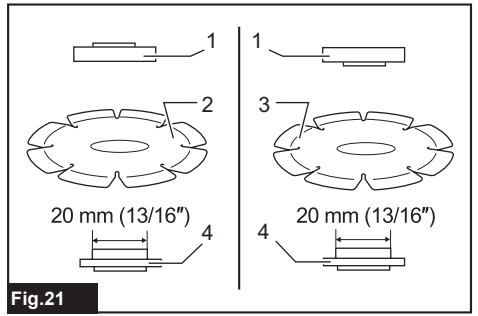


Fig.21

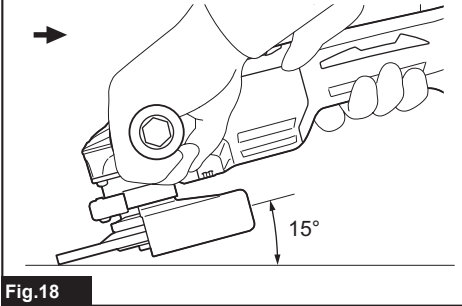


Fig.18

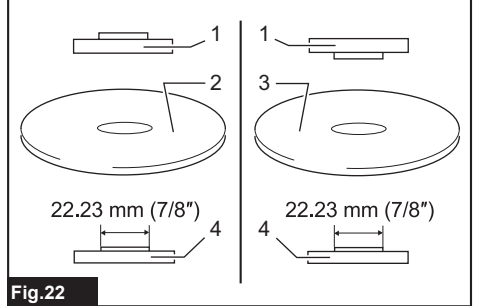


Fig.22

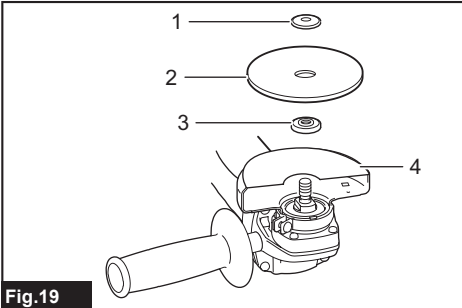


Fig.19

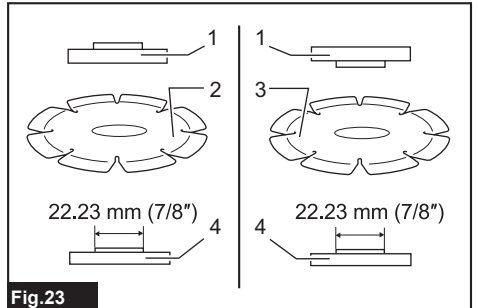


Fig.23

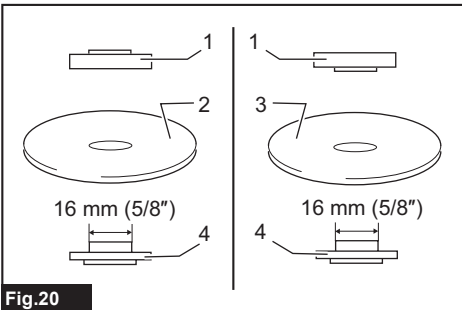


Fig.20

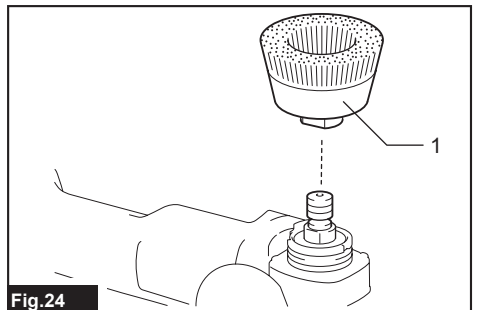


Fig.24

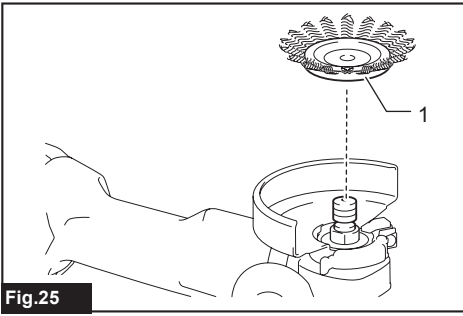


Fig.25

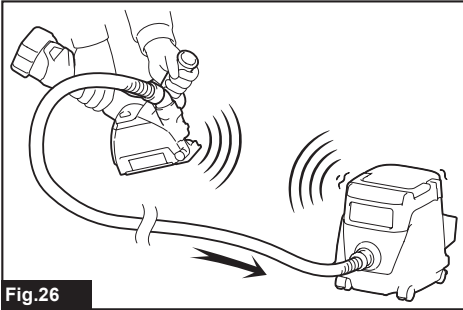


Fig.26

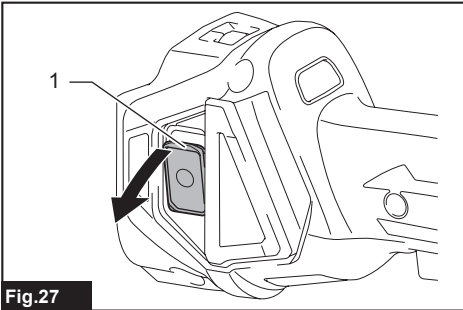


Fig.27

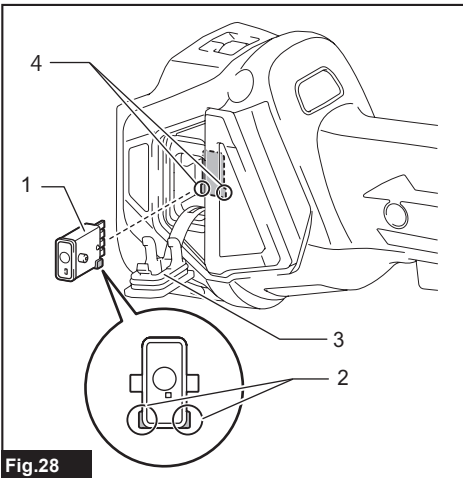


Fig.28

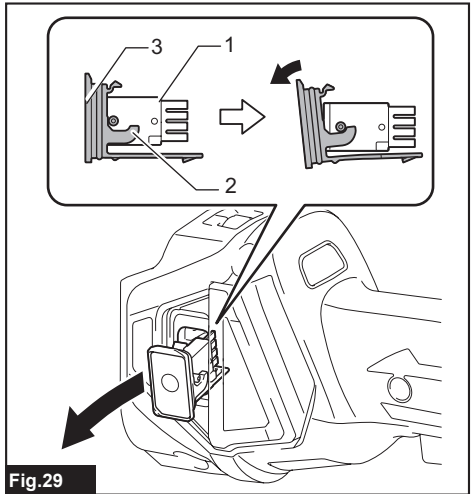


Fig.29

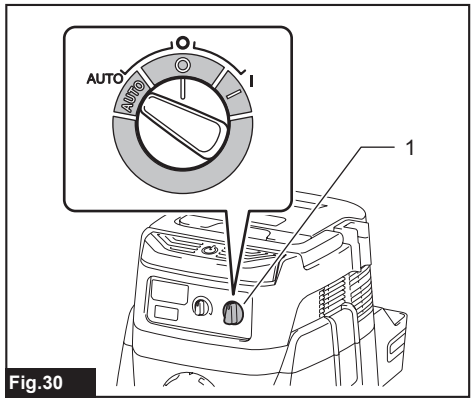


Fig.30

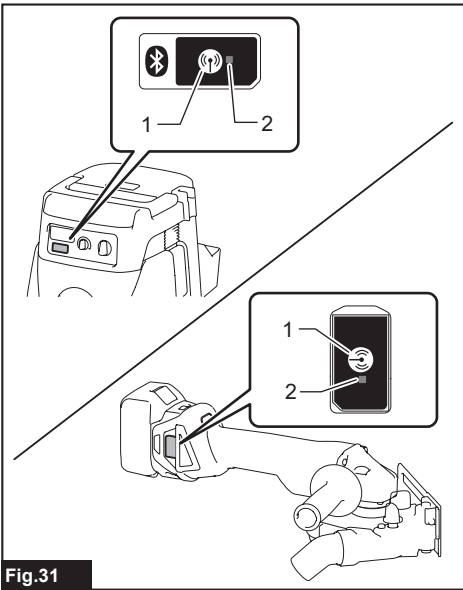


Fig.31

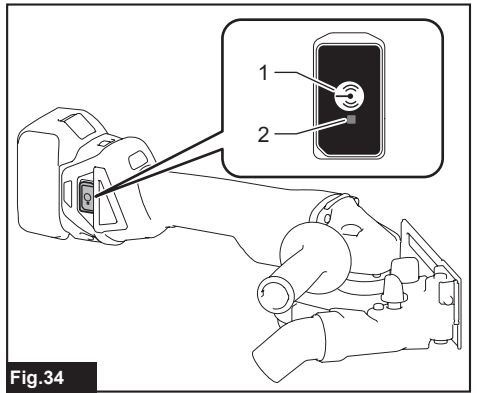


Fig.34

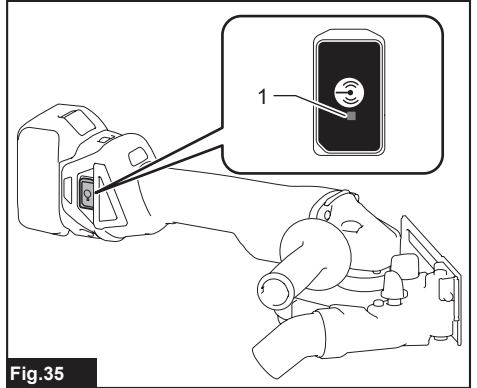


Fig.35

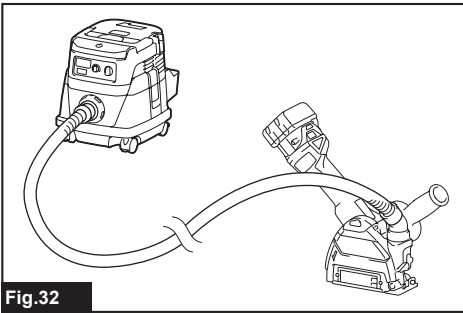


Fig.32

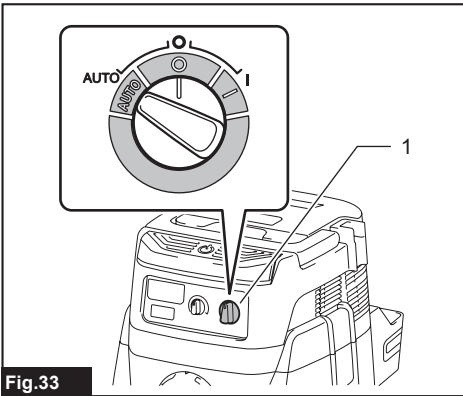


Fig.33

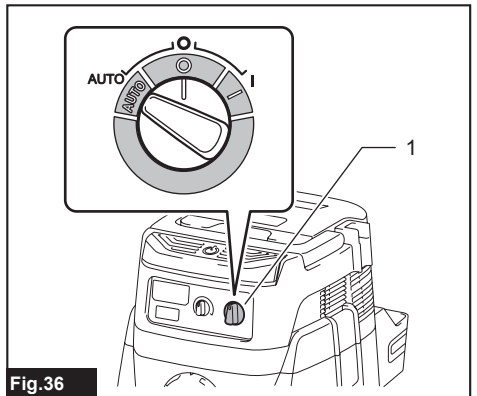


Fig.36

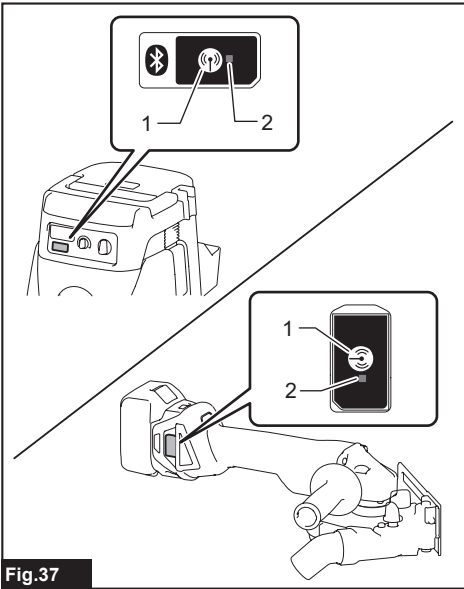


Fig.37

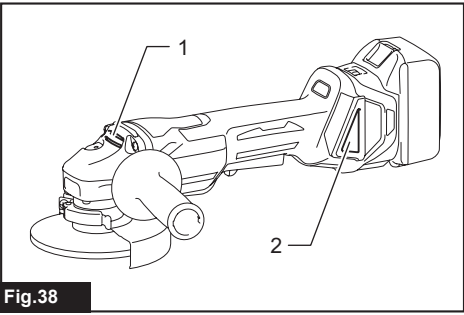


Fig.38

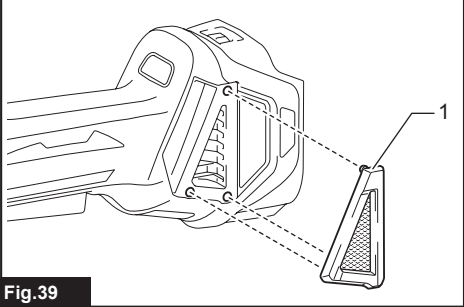


Fig.39

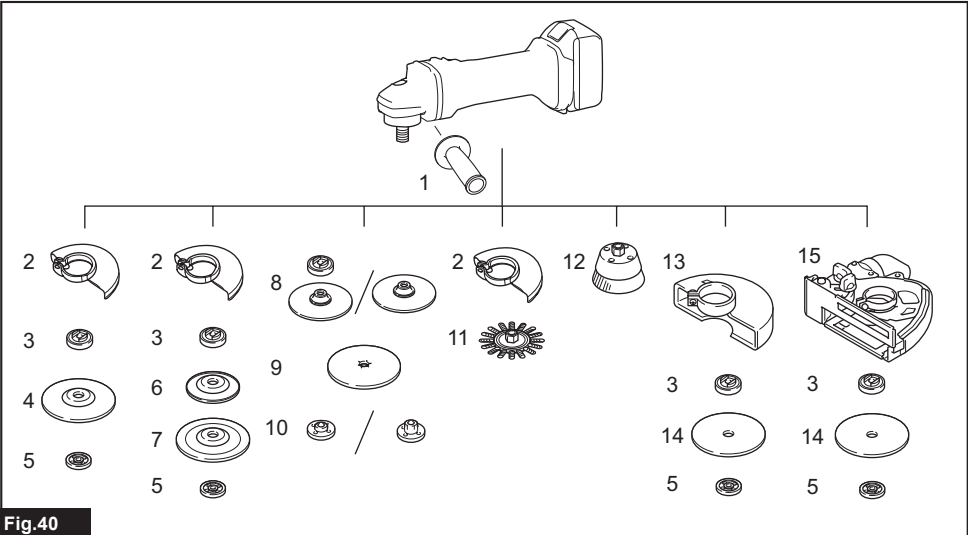


Fig.40

SPECIFICATIONS

Model:	DGA417	DGA418
Wheel diameter	100 mm (4")	
Max. wheel thickness	6.4 mm	
Spindle thread	M10	
Rated speed (n)	8,500 min ⁻¹	
Overall length	382 mm	
Rated voltage	D.C. 18 V	
Net weight	2.2 - 2.9 kg	
Electric brake	✓	
Wireless activation function	-	✓

Model:	DGA467	DGA468
Wheel diameter	115 mm (4-1/2")	
Max. wheel thickness	7.2 mm	
Spindle thread	M14 or 5/8" (country specific)	
Rated speed (n)	8,500 min ⁻¹	
Overall length	382 mm	
Rated voltage	D.C. 18 V	
Net weight	2.4 - 3.1 kg	
Electric brake	✓	
Wireless activation function	-	✓

Model:	DGA517	DGA518
Wheel diameter	125 mm (5")	
Max. wheel thickness	7.2 mm	
Spindle thread	M14 or 5/8" (country specific)	
Rated speed (n)	8,500 min ⁻¹	
Overall length	382 mm	
Rated voltage	D.C. 18 V	
Net weight	2.4 - 3.1 kg	
Electric brake	✓	
Wireless activation function	-	✓

- Due to our continuing program of research and development, the specifications herein are subject to change without notice.
- Specifications may differ from country to country.
- The weight may differ depending on the attachment(s), including the battery cartridge. The lightest and heaviest combination, according to EPTA-Procedure 01/2014, are shown in the table.

Applicable battery cartridge

BL1815N / BL1820 / BL1820B / BL1830 / BL1830B / BL1840 / BL1840B / BL1850 / BL1850B / BL1860B

- Some of the battery cartridges listed above may not be available depending on your region of residence.

⚠ WARNING: Only use the battery cartridges listed above. Use of any other battery cartridges may cause injury and/or fire.

Intended use

The tool is intended for grinding, sanding and cutting of metal and stone materials without the use of water.

Noise

The typical A-weighted noise level determined according to EN60745:

Model	Sound pressure level (L_{pA}) : (dB(A))	Sound power level (L_{WA}) : (dB(A))	Uncertainty (K) : (dB(A))
DGA417	80	-	3
DGA418	80	-	3
DGA467	80	-	3
DGA468	80	-	3
DGA517	79	-	3
DGA518	79	-	3

The noise level under working may exceed 80 dB (A).

⚠ WARNING: Wear ear protection.

Vibration

The vibration total value (tri-axial vector sum) determined according to EN60745:

Work mode: surface grinding with normal side grip

Model	Vibration emission ($a_{h, AG}$) : (m/s^2)	Uncertainty (K) : (m/s^2)
DGA417	4.5	1.5
DGA418	4.5	1.5
DGA467	5.5	1.5
DGA468	5.5	1.5
DGA517	6.0	1.5
DGA518	6.0	1.5

Work mode: surface grinding with anti vibration side grip

Model	Vibration emission ($a_{h, AG}$) : (m/s^2)	Uncertainty (K) : (m/s^2)
DGA417	4.5	1.5
DGA418	4.5	1.5
DGA467	5.0	1.5
DGA468	5.0	1.5
DGA517	5.5	1.5
DGA518	5.5	1.5

Work mode: disc sanding with normal side grip

Model	Vibration emission ($a_{h, DS}$) : (m/s^2)	Uncertainty (K) : (m/s^2)
DGA417	2.5 m/s^2 or less	1.5
DGA418	2.5 m/s^2 or less	1.5
DGA467	2.5 m/s^2 or less	1.5
DGA468	2.5 m/s^2 or less	1.5
DGA517	2.5 m/s^2 or less	1.5
DGA518	2.5 m/s^2 or less	1.5

Work mode: disc sanding with anti vibration side grip

Model	Vibration emission ($a_{h, ds}$) : (m/s^2)	Uncertainty (K) : (m/s^2)
DGA417	2.5 m/s^2 or less	1.5
DGA418	2.5 m/s^2 or less	1.5
DGA467	2.5 m/s^2 or less	1.5
DGA468	2.5 m/s^2 or less	1.5
DGA517	2.5 m/s^2 or less	1.5
DGA518	2.5 m/s^2 or less	1.5

NOTE: The declared vibration emission value has been measured in accordance with the standard test method and may be used for comparing one tool with another.

NOTE: The declared vibration emission value may also be used in a preliminary assessment of exposure.

⚠ WARNING: The vibration emission during actual use of the power tool can differ from the declared emission value depending on the ways in which the tool is used.

⚠ WARNING: Be sure to identify safety measures to protect the operator that are based on an estimation of exposure in the actual conditions of use (taking account of all parts of the operating cycle such as the times when the tool is switched off and when it is running idle in addition to the trigger time).

⚠ WARNING: The declared vibration emission value is used for main applications of the power tool. However if the power tool is used for other applications, the vibration emission value may be different.

EC Declaration of Conformity

For European countries only

The EC declaration of conformity is included as Annex A to this instruction manual.

SAFETY WARNINGS

General power tool safety warnings

⚠ WARNING: Read all safety warnings, instructions, illustrations and specifications provided with this power tool. Failure to follow all instructions listed below may result in electric shock, fire and/or serious injury.

Save all warnings and instructions for future reference.

The term "power tool" in the warnings refers to your mains-operated (corded) power tool or battery-operated (cordless) power tool.

Cordless grinder safety warnings

Safety Warnings Common for Grinding, Sanding, Wire Brushing, or Abrasive Cutting-Off Operations:

- 1. This power tool is intended to function as a grinder, sander, wire brush or cut-off tool. Read all safety warnings, instructions, illustrations and specifications provided with this power tool.** Failure to follow all instructions listed below may result in electric shock, fire and/or serious injury.
- 2. Operations such as polishing are not recommended to be performed with this power tool.** Operations for which the power tool was not designed may create a hazard and cause personal injury.
- 3. Do not use accessories which are not specifically designed and recommended by the tool manufacturer.** Just because the accessory can be attached to your power tool, it does not assure safe operation.
- 4. The rated speed of the accessory must be at least equal to the maximum speed marked on the power tool.** Accessories running faster than their rated speed can break and fly apart.
- 5. The outside diameter and the thickness of your accessory must be within the capacity rating of your power tool.** Incorrectly sized accessories cannot be adequately guarded or controlled.
- 6. Threaded mounting of accessories must match the grinder spindle thread. For accessories mounted by flanges, the arbour hole of the accessory must fit the locating diameter of the flange.** Accessories that do not match the mounting hardware of the power tool will run out of balance, vibrate excessively and may cause loss of control.
- 7. Do not use a damaged accessory. Before each use inspect the accessory such as abrasive wheels for chips and cracks, backing pad for cracks, tear or excess wear, wire brush for loose or cracked wires. If power tool or accessory is dropped, inspect for damage or install an undamaged accessory. After inspecting and installing an accessory, position yourself and bystanders away from the plane of the rotating accessory and run the power tool at maximum no-load speed for one minute.** Damaged accessories will normally break apart during this test time.

8. **Wear personal protective equipment.** Depending on application, use face shield, safety goggles or safety glasses. As appropriate, wear dust mask, hearing protectors, gloves and workshop apron capable of stopping small abrasive or workpiece fragments. The eye protection must be capable of stopping flying debris generated by various operations. The dust mask or respirator must be capable of filtering particles generated by your operation. Prolonged exposure to high intensity noise may cause hearing loss.
9. **Keep bystanders a safe distance away from work area. Anyone entering the work area must wear personal protective equipment.** Fragments of workpiece or of a broken accessory may fly away and cause injury beyond immediate area of operation.
10. **Hold the power tool by insulated gripping surfaces only, when performing an operation where the cutting tool may contact hidden wiring.** Contact with a "live" wire will also make exposed metal parts of the power tool "live" and could give the operator an electric shock.
11. **Never lay the power tool down until the accessory has come to a complete stop.** The spinning accessory may grab the surface and pull the power tool out of your control.
12. **Do not run the power tool while carrying it at your side.** Accidental contact with the spinning accessory could snag your clothing, pulling the accessory into your body.
13. **Regularly clean the power tool's air vents.** The motor's fan will draw the dust inside the housing and excessive accumulation of powdered metal may cause electrical hazards.
14. **Do not operate the power tool near flammable materials.** Sparks could ignite these materials.
15. **Do not use accessories that require liquid coolants.** Using water or other liquid coolants may result in electrocution or shock.
2. **Never place your hand near the rotating accessory.** Accessory may kickback over your hand.
3. **Do not position your body in the area where power tool will move if kickback occurs.** Kickback will propel the tool in direction opposite to the wheel's movement at the point of snagging.
4. **Use special care when working corners, sharp edges etc. Avoid bouncing and snagging the accessory.** Corners, sharp edges or bouncing have a tendency to snag the rotating accessory and cause loss of control or kickback.
5. **Do not attach a saw chain woodcarving blade or toothed saw blade.** Such blades create frequent kickback and loss of control.

Safety Warnings Specific for Grinding and Abrasive Cutting-Off Operations:

1. **Use only wheel types that are recommended for your power tool and the specific guard designed for the selected wheel.** Wheels for which the power tool was not designed cannot be adequately guarded and are unsafe.
2. **The grinding surface of centre depressed wheels must be mounted below the plane of the guard lip.** An improperly mounted wheel that projects through the plane of the guard lip cannot be adequately protected.
3. **The guard must be securely attached to the power tool and positioned for maximum safety, so the least amount of wheel is exposed towards the operator.** The guard helps to protect the operator from broken wheel fragments, accidental contact with wheel and sparks that could ignite clothing.
4. **Wheels must be used only for recommended applications. For example: do not grind with the side of cut-off wheel.** Abrasive cut-off wheels are intended for peripheral grinding, side forces applied to these wheels may cause them to shatter.
5. **Always use undamaged wheel flanges that are of correct size and shape for your selected wheel.** Proper wheel flanges support the wheel thus reducing the possibility of wheel breakage. Flanges for cut-off wheels may be different from grinding wheel flanges.
6. **Do not use worn down wheels from larger power tools.** Wheel intended for larger power tool is not suitable for the higher speed of a smaller tool and may burst.

Additional Safety Warnings Specific for Abrasive Cutting-Off Operations:

- #### **Kickback and Related Warnings**
- Kickback is a sudden reaction to a pinched or snagged rotating wheel, backing pad, brush or any other accessory. Pinching or snagging causes rapid stalling of the rotating accessory which in turn causes the uncontrolled power tool to be forced in the direction opposite of the accessory's rotation at the point of the binding. For example, if an abrasive wheel is snagged or pinched by the workpiece, the edge of the wheel that is entering into the pinch point can dig into the surface of the material causing the wheel to climb out or kick out. The wheel may either jump toward or away from the operator, depending on direction of the wheel's movement at the point of pinching. Abrasive wheels may also break under these conditions.
- Kickback is the result of power tool misuse and/or incorrect operating procedures or conditions and can be avoided by taking proper precautions as given below.
1. **Maintain a firm grip on the power tool and position your body and arm to allow you to resist kickback forces. Always use auxiliary handle, if provided, for maximum control over kickback or torque reaction during start-up.** The operator can control torque reactions or kickback forces, if proper precautions are taken.

3. When wheel is binding or when interrupting a cut for any reason, switch off the power tool and hold the power tool motionless until the wheel comes to a complete stop. Never attempt to remove the cut-off wheel from the cut while the wheel is in motion otherwise kickback may occur. Investigate and take corrective action to eliminate the cause of wheel binding.
4. Do not restart the cutting operation in the workpiece. Let the wheel reach full speed and carefully re-enter the cut. The wheel may bind, walk up or kickback if the power tool is restarted in the workpiece.
5. Support panels or any oversized workpiece to minimize the risk of wheel pinching and kickback. Large workpieces tend to sag under their own weight. Supports must be placed under the workpiece near the line of cut and near the edge of the workpiece on both sides of the wheel.
6. Use extra caution when making a "pocket cut" into existing walls or other blind areas. The protruding wheel may cut gas or water pipes, electrical wiring or objects that can cause kickback.
8. Do not touch the workpiece immediately after operation; it may be extremely hot and could burn your skin.
9. Observe the instructions of the manufacturer for correct mounting and use of wheels. Handle and store wheels with care.
10. Do not use separate reducing bushings or adaptors to adapt large hole abrasive wheels.
11. Use only flanges specified for this tool.
12. For tools intended to be fitted with threaded hole wheel, ensure that the thread in the wheel is long enough to accept the spindle length.
13. Check that the workpiece is properly supported.
14. Pay attention that the wheel continues to rotate after the tool is switched off.
15. If working place is extremely hot and humid, or badly polluted by conductive dust, use a short-circuit breaker (30 mA) to assure operator safety.
16. Do not use the tool on any materials containing asbestos.

Safety Warnings Specific for Sanding Operations:

1. Do not use excessively oversized sanding disc paper. Follow manufacturers recommendations, when selecting sanding paper. Larger sanding paper extending beyond the sanding pad presents a laceration hazard and may cause snagging, tearing of the disc or kickback.

Safety Warnings Specific for Wire Brushing Operations:

1. Be aware that wire bristles are thrown by the brush even during ordinary operation. Do not overstress the wires by applying excessive load to the brush. The wire bristles can easily penetrate light clothing and/or skin.
2. If the use of a guard is recommended for wire brushing, do not allow any interference of the wire wheel or brush with the guard. Wire wheel or brush may expand in diameter due to work load and centrifugal forces.

Additional Safety Warnings:

1. When using depressed centre grinding wheels, be sure to use only fiberglass-reinforced wheels.
2. NEVER USE Stone Cup type wheels with this grinder. This grinder is not designed for these types of wheels and the use of such a product may result in serious personal injury.
3. Be careful not to damage the spindle, the flange (especially the installing surface) or the lock nut. Damage to these parts could result in wheel breakage.
4. Make sure the wheel is not contacting the workpiece before the switch is turned on.
5. Before using the tool on an actual workpiece, let it run for a while. Watch for vibration or wobbling that could indicate poor installation or a poorly balanced wheel.
6. Use the specified surface of the wheel to perform the grinding.
7. Do not leave the tool running. Operate the tool only when hand-held.

17. When use cut-off wheel, always work with the dust collecting wheel guard required by domestic regulation.
18. Cutting discs must not be subjected to any lateral pressure.
19. Do not use cloth work gloves during operation. Fibers from cloth gloves may enter the tool, which causes tool breakage.

SAVE THESE INSTRUCTIONS.

⚠WARNING: DO NOT let comfort or familiarity with product (gained from repeated use) replace strict adherence to safety rules for the subject product. MISUSE or failure to follow the safety rules stated in this instruction manual may cause serious personal injury.

Important safety instructions for battery cartridge

1. Before using battery cartridge, read all instructions and cautionary markings on (1) battery charger, (2) battery, and (3) product using battery.
2. Do not disassemble battery cartridge.
3. If operating time has become excessively shorter, stop operating immediately. It may result in a risk of overheating, possible burns and even an explosion.
4. If electrolyte gets into your eyes, rinse them out with clear water and seek medical attention right away. It may result in loss of your eyesight.
5. Do not short the battery cartridge:
 - (1) Do not touch the terminals with any conductive material.
 - (2) Avoid storing battery cartridge in a container with other metal objects such as nails, coins, etc.
 - (3) Do not expose battery cartridge to water or rain.

- A battery short can cause a large current flow, overheating, possible burns and even a breakdown.**
- Do not store the tool and battery cartridge in locations where the temperature may reach or exceed 50 °C (122 °F).
 - Do not incinerate the battery cartridge even if it is severely damaged or is completely worn out. The battery cartridge can explode in a fire.
 - Be careful not to drop or strike battery.
 - Do not use a damaged battery.
 - The contained lithium-ion batteries are subject to the Dangerous Goods Legislation requirements. For commercial transports e.g. by third parties, forwarding agents, special requirement on packaging and labeling must be observed. For preparation of the item being shipped, consulting an expert for hazardous material is required. Please also observe possibly more detailed national regulations. Tape or mask off open contacts and pack up the battery in such a manner that it cannot move around in the packaging.
 - Follow your local regulations relating to disposal of battery.
 - Use the batteries only with the products specified by Makita. Installing the batteries to non-compliant products may result in a fire, excessive heat, explosion, or leak of electrolyte.

SAVE THESE INSTRUCTIONS.

⚠CAUTION: Only use genuine Makita batteries. Use of non-genuine Makita batteries, or batteries that have been altered, may result in the battery bursting causing fires, personal injury and damage. It will also void the Makita warranty for the Makita tool and charger.

Tips for maintaining maximum battery life

- Charge the battery cartridge before completely discharged. Always stop tool operation and charge the battery cartridge when you notice less tool power.
- Never recharge a fully charged battery cartridge. Overcharging shortens the battery service life.
- Charge the battery cartridge with room temperature at 10 °C - 40 °C (50 °F - 104 °F). Let a hot battery cartridge cool down before charging it.
- Charge the battery cartridge if you do not use it for a long period (more than six months).

Important safety instructions for wireless unit

- Do not disassemble or tamper with the wireless unit.
- Keep the wireless unit away from young children. If accidentally swallowed, seek medical attention immediately.
- Use the wireless unit only with Makita tools.

- Do not expose the wireless unit to rain or wet conditions.
- Do not use the wireless unit in places where the temperature exceeds 50°C (122°F).
- Do not operate the wireless unit in places where medical instruments, such as heart pace makers are near by.
- Do not operate the wireless unit in places where automated devices are near by. If operated, automated devices may develop malfunction or error.
- The wireless unit can produce electromagnetic fields (EMF) but they are not harmful to the user.
- The wireless unit is an accurate instrument. Be careful not to drop or strike the wireless unit.
- Avoid touching the terminal of the wireless unit with bare hands or metallic materials.
- Always remove the battery on the tool when installing the wireless unit.
- When opening the lid of the slot, avoid the place where dust and water may come into the slot. Always keep the inlet of the slot clean.
- Always insert the wireless unit in the correct direction.
- Do not press the wireless activation button on the wireless unit too hard and/or press the button with an object with a sharp edge.
- Always close the lid of the slot when operating.
- Do not remove the wireless unit from the slot while the power is being supplied to the tool. Doing so may cause a malfunction of the wireless unit.
- Do not remove the sticker on the wireless unit.
- Do not put any sticker on the wireless unit.
- Do not leave the wireless unit in a place where static electricity or electrical noise could be generated.
- Do not leave the wireless unit in a place subject to high heat, such as a car sitting in the sun.
- Do not leave the wireless unit in a dusty or powdery place or in a place corrosive gas could be generated.
- Sudden change of the temperature may bedew the wireless unit. Do not use the wireless unit until the dew is completely dried.
- When cleaning the wireless unit, gently wipe with a dry soft cloth. Do not use benzine, thinner, conductive grease or the like.
- When storing the wireless unit, keep it in the supplied case or a static-free container.
- Do not insert any devices other than Makita wireless unit into the slot on the tool.
- Do not use the tool with the lid of the slot damaged. Water, dust, and dirt come into the slot may cause malfunction.
- Do not pull and/or twist the lid of the slot more than necessary. Restore the lid if it comes off from the tool.
- Replace the lid of the slot if it is lost or damaged.

SAVE THESE INSTRUCTIONS.

FUNCTIONAL DESCRIPTION

CAUTION: Always be sure that the tool is switched off and the battery cartridge is removed before adjusting or checking function on the tool.

Installing or removing battery cartridge

CAUTION: Always switch off the tool before installing or removing of the battery cartridge.

CAUTION: Hold the tool and the battery cartridge firmly when installing or removing battery cartridge.

Failure to hold the tool and the battery cartridge firmly may cause them to slip off your hands and result in damage to the tool and battery cartridge and a personal injury.

► **Fig.1:** 1. Red indicator 2. Button 3. Battery cartridge

To remove the battery cartridge, slide it from the tool while sliding the button on the front of the cartridge.

To install the battery cartridge, align the tongue on the battery cartridge with the groove in the housing and slip it into place. Insert it all the way until it locks in place with a little click. If you can see the red indicator on the upper side of the button, it is not locked completely.

CAUTION: Always install the battery cartridge fully until the red indicator cannot be seen. If not, it may accidentally fall out of the tool, causing injury to you or someone around you.

CAUTION: Do not install the battery cartridge forcibly. If the cartridge does not slide in easily, it is not being inserted correctly.

Indicating the remaining battery capacity

Only for battery cartridges with the indicator

► **Fig.2:** 1. Indicator lamps 2. Check button

Press the check button on the battery cartridge to indicate the remaining battery capacity. The indicator lamps light up for a few seconds.

Indicator lamps			Remaining capacity
Lighted	Off	Blinking	
■	□	◐	75% to 100%
■ ■ ■ ■			
■ ■ ■	□		50% to 75%
■ ■	□ □		25% to 50%
■	□ □ □		0% to 25%
◐	□ □ □		Charge the battery.
■ ■ □ □	↑ ↓	□ □ ■ ■	The battery may have malfunctioned.

NOTE: Depending on the conditions of use and the ambient temperature, the indication may differ slightly from the actual capacity.

Indicating the remaining battery capacity

Country specific

When you turn the tool on, the battery indicator shows the remaining battery capacity.

► **Fig.3:** 1. Battery indicator

The remaining battery capacity is shown as the following table.

Battery indicator status			Remaining battery capacity
On	Off	Blinking	
			50% to 100%
			20% to 50%
			0% to 20%
			Charge the battery

Tool / battery protection system

The tool is equipped with a tool/battery protection system. This system automatically cuts off power to the motor to extend tool and battery life. The tool will automatically stop during operation if the tool or battery is placed under one of the following conditions:

Overload protection

When the tool is operated in a manner that causes it to draw an abnormally high current, the tool automatically stops without any indication. In this situation, turn the tool off and stop the application that caused the tool to become overloaded. Then turn the tool on to restart.

Overheat protection

When the tool is overheated, the tool stops automatically and the battery indicator shows following state. In this situation, let the tool cool before turning the tool on again.

On	Blinking

If the tool does not start, the battery may be overheated. In this situation, let the battery cool before starting the tool again.

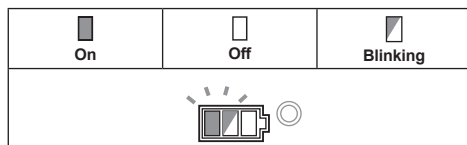
Overdischarge protection

When the battery capacity is not enough, the tool stops automatically. In this case, remove the battery from the tool and charge the battery.

Releasing protection lock

When the protection system works repeatedly, the tool is locked and the battery indicator shows the following state.

In this situation, the tool does not start even if turning the tool off and on. To release the protection lock, remove the battery, set it to the battery charger and wait until the charging finishes.



Shaft lock

Press the shaft lock to prevent spindle rotation when installing or removing accessories.

► Fig.4: 1. Shaft lock

NOTICE: Never actuate the shaft lock when the spindle is moving. The tool may be damaged.

Switch action

CAUTION: Before installing the battery cartridge into the tool, always check to see that the switch lever actuates properly and returns to the "OFF" position when released.

CAUTION: Do not pull the switch lever hard without pulling the lock-off lever. This can cause switch breakage.

CAUTION: For your safety, this tool is equipped with lock-off lever which prevents the tool from unintended starting. NEVER use the tool if it runs when you simply pull the switch trigger without pulling the lock-off lever. Return the tool to our authorized service center for proper repairs BEFORE further usage.

CAUTION: NEVER tape down or defeat purpose and function of lock-off lever.

To prevent the switch lever from being accidentally pulled, a lock-off lever is provided.

To start the tool, pull the lock-off lever toward the operator and then pull the switch lever.

To stop the tool, release the switch lever.

► Fig.5: 1. Lock-off lever 2. Switch lever

Speed adjusting dial

The rotation speed of the tool can be changed by turning the speed adjusting dial. The table below shows the number on the dial and the corresponding rotation speed.

► Fig.6: 1. Speed adjusting dial



Number	Speed
1	3,000 min ⁻¹
2	4,500 min ⁻¹
3	6,000 min ⁻¹
4	7,500 min ⁻¹
5	8,500 min ⁻¹

NOTICE: If the tool is operated continuously at low speed for a long time, the motor will get overloaded, resulting in tool malfunction.

NOTICE: When changing the speed dial from "5" to "1", turn the dial counterclockwise. Do not turn the dial clockwise forcibly.

Automatic speed change function

► Fig.7: 1. Mode indicator

Mode indicator status	Operation mode
	High speed mode
	High torque mode

This tool has "high speed mode" and "high torque mode". It automatically changes operation mode depending on the work load. When mode indicator lights up during operation, the tool is in high torque mode.

Accidental re-start preventive function

Even if installing the battery cartridge while pulling the switch lever, the tool does not start.

To start the tool, first release the switch lever. Then pull the lock-off lever, and pull the switch lever.

Electronic torque control function

The tool electronically detects situations where the wheel or accessory may be at risk to be bound. In the situation, the tool is automatically shut off to prevent further rotation of the spindle (it does not prevent kickback).

To restart the tool, switch off the tool first, remove the cause of sudden drop in the rotation speed, and then turn the tool on.

Soft start feature

Soft start feature reduces starting reaction.

Electric brake

Electric brake is activated after the tool is switched off. The brake does not work when the power supply is shut down, such as the battery is removed accidentally, with the switch still on.

ASSEMBLY

⚠ CAUTION: Always be sure that the tool is switched off and the battery cartridge is removed before adjusting or checking function on the tool.

Installing side grip (handle)

⚠ CAUTION: Always be sure that the side grip is installed securely before operation.

Screw the side grip securely on the position of the tool as shown in the figure.

► Fig.8

Installing or removing wheel guard (For depressed center wheel, flap disc, flex wheel, wire wheel brush / abrasive cut-off wheel, diamond wheel)

⚠ WARNING: When using a depressed center wheel, flap disc, flex wheel or wire wheel brush, the wheel guard must be fitted on the tool so that the closed side of the guard always points toward the operator.

⚠ WARNING: When using an abrasive cut-off / diamond wheel, be sure to use only the special wheel guard designed for use with cut-off wheels.

(In some European countries, when using a diamond wheel, the ordinary guard can be used. Follow the regulations in your country.)

For tool with locking screw type wheel guard

Mount the wheel guard with the protrusions on the wheel guard band aligned with the notches on the bearing box. Then rotate the wheel guard to such an angle that it can protect the operator according to work. Be sure to tighten the screw securely.

To remove wheel guard, follow the installation procedure in reverse.

► Fig.9: 1. Wheel guard 2. Bearing box 3. Screw

For tool with clamp lever type wheel guard

Loosen the screw, and then pull the lever in the direction of the arrow. Mount the wheel guard with the protrusions on the wheel guard band aligned with the notches on the bearing box. Then rotate the wheel guard to such an angle that it can protect the operator according to work.

► Fig.10: 1. Wheel guard 2. Bearing box 3. Screw 4. Lever

Pull the lever in direction of the arrow. Then tighten the wheel guard with fastening the screw. Be sure to tighten the screw securely. The setting angle of the wheel guard can be adjusted with the lever.

► Fig.11: 1. Screw 2. Lever

To remove wheel guard, follow the installation procedure in reverse.

Installing or removing depressed center wheel or flap disc

Optional accessory

⚠ WARNING: When using a depressed center wheel or flap disc, the wheel guard must be fitted on the tool so that the closed side of the guard always points toward the operator.

⚠ CAUTION: Make sure that the mounting part of the inner flange fits into the inner diameter of the depressed center wheel / flap disc perfectly. Mounting the inner flange on the wrong side may result in the dangerous vibration.

Mount the inner flange onto the spindle. Make sure to fit the dented part of the inner flange onto the straight part at the bottom of the spindle.

Fit the depressed center wheel / flap disc on the inner flange and screw the lock nut onto the spindle.

► Fig.12: 1. Lock nut 2. Depressed center wheel 3. Inner flange 4. Mounting part

To tighten the lock nut, press the shaft lock firmly so that the spindle cannot revolve, then use the lock nut wrench and securely tighten clockwise.

► Fig.13: 1. Lock nut wrench 2. Shaft lock

To remove the wheel, follow the installation procedure in reverse.

Installing or removing flex wheel

Optional accessory

⚠ WARNING: Always use supplied guard when flex wheel is on tool. Wheel can shatter during use and guard helps to reduce chances of personal injury.

► Fig.14: 1. Lock nut 2. Flex wheel 3. Back up pad 4. Inner flange

Follow instructions for depressed center wheel but also use back up pad over wheel. See order of assembly on accessories page in this manual.

Installing or removing abrasive disc

Optional accessory

NOTE: Use sander accessories specified in this manual. These must be purchased separately.

For 100 mm (4") model

► Fig.15: 1. Sanding lock nut 2. Abrasive disc 3. Rubber pad 4. Inner flange

1. Mount the inner flange onto the spindle.
2. Mount the rubber pad onto the spindle.
3. Fit the disc on the rubber pad and screw the sanding lock nut onto the spindle.
4. Hold the spindle with the shaft lock, and securely tighten the sanding lock nut clockwise with the lock nut wrench.

To remove the disc, follow the installation procedure in reverse.

For 115 mm (4 - 1/2") / 125 mm (5") model

► Fig.16: 1. Sanding lock nut 2. Abrasive disc
3. Rubber pad

1. Mount the rubber pad onto the spindle.
2. Fit the disc on the rubber pad and screw the sanding lock nut onto the spindle.
3. Hold the spindle with the shaft lock, and securely tighten the sanding lock nut clockwise with the lock nut wrench.

To remove the disc, follow the installation procedure in reverse.

Connecting a vacuum cleaner

Optional accessory

⚠ WARNING: Never vacuum metal particles created by grinding/cutting/sanding operation. Metal particles created by such operation are so hot that they ignite dust and the filter inside the vacuum cleaner.

To avoid dusty environment caused by masonry cutting, use a dust collecting wheel guard and a vacuum cleaner.

Refer to the instruction manual attached to the dust collecting wheel guard for assembling and using it.

► Fig.17: 1. Dust collecting wheel guard 2. Hose of the vacuum cleaner

OPERATION

⚠ WARNING: It should never be necessary to force the tool. The weight of the tool applies adequate pressure. Forcing and excessive pressure could cause dangerous wheel breakage.

⚠ WARNING: ALWAYS replace wheel if tool is dropped while grinding.

⚠ WARNING: NEVER bang or hit grinding disc or wheel onto work.

⚠ WARNING: Avoid bouncing and snagging the wheel, especially when working corners, sharp edges etc. This can cause loss of control and kickback.

⚠ WARNING: NEVER use tool with wood cutting blades and other saw blades. Such blades when used on a grinder frequently kick and cause loss of control leading to personal injury.

⚠ CAUTION: Never switch on the tool when it is in contact with the workpiece, it may cause an injury to operator.

⚠ CAUTION: Always wear safety goggles or a face shield during operation.

⚠ CAUTION: After operation, always switch off the tool and wait until the wheel has come to a complete stop before putting the tool down.

⚠ CAUTION: ALWAYS hold the tool firmly with one hand on housing and the other on the side grip (handle).

Grinding and sanding operation

► Fig.18

Turn the tool on and then apply the wheel or disc to the workpiece.

In general, keep the edge of the wheel or disc at an angle of about 15° to the workpiece surface. During the break-in period with a new wheel, do not work the grinder in forward direction or it may cut into the workpiece. Once the edge of the wheel has been rounded off by use, the wheel may be worked in both forward and backward direction.

Operation with abrasive cut-off / diamond wheel

Optional accessory

⚠ WARNING: When using an abrasive cut-off / diamond wheel, be sure to use only the special wheel guard designed for use with cut-off wheels.

(In some European countries, when using a diamond wheel, the ordinary guard can be used. Follow the regulations in your country.)

⚠ WARNING: NEVER use cut-off wheel for side grinding.

⚠ WARNING: Do not "jam" the wheel or apply excessive pressure. Do not attempt to make an excessive depth of cut. Overstressing the wheel increases the loading and susceptibility to twisting or binding of the wheel in the cut and the possibility of kickback, wheel breakage and overheating of the motor may occur.

⚠ WARNING: Do not start the cutting operation in the workpiece. Let the wheel reach full speed and carefully enter into the cut moving the tool forward over the workpiece surface. The wheel may bind, walk up or kickback if the power tool is started in the workpiece.

⚠ WARNING: During cutting operations, never change the angle of the wheel. Placing side pressure on the cut-off wheel (as in grinding) will cause the wheel to crack and break, causing serious personal injury.

⚠ WARNING: A diamond wheel shall be operated perpendicular to the material being cut.

- **Fig.19:** 1. Lock nut 2. Abrasive cut-off wheel / diamond wheel 3. Inner flange 4. Wheel guard for abrasive cut-off wheel / diamond wheel

As for the installation, follow the instructions for depressed center wheel.

The direction for mounting the lock nut and the inner flange varies by wheel type and thickness. Refer to the following figures.

For 100 mm (4") model

When installing the abrasive cut-off wheel:

- **Fig.20:** 1. Lock nut 2. Abrasive cut-off wheel (Thinner than 4mm (5/32")) 3. Abrasive cut-off wheel (4mm (5/32") or thicker) 4. Inner flange

When installing the diamond wheel:

- **Fig.21:** 1. Lock nut 2. Diamond wheel (Thinner than 4mm (5/32")) 3. Diamond wheel (4mm (5/32") or thicker) 4. Inner flange

For 115 mm (4 - 1/2") / 125 mm (5") model

When installing the abrasive cut-off wheel:

- **Fig.22:** 1. Lock nut 2. Abrasive cut-off wheel (Thinner than 4mm (5/32")) 3. Abrasive cut-off wheel (4mm (5/32") or thicker) 4. Inner flange

When installing the diamond wheel:

- **Fig.23:** 1. Lock nut 2. Diamond wheel (Thinner than 4mm (5/32")) 3. Diamond wheel (4mm (5/32") or thicker) 4. Inner flange

Operation with wire cup brush

Optional accessory

CAUTION: Check operation of brush by running tool with no load, insuring that no one is in front of or in line with brush.

CAUTION: Do not use brush that is damaged, or which is out of balance. Use of damaged brush could increase potential for injury from contact with broken brush wires.

- **Fig.24:** 1. Wire cup brush

Remove the battery cartridge from the tool and place it upside down allowing easy access to spindle.

Remove any accessories on spindle. Thread wire cup brush onto spindle and tighten with supplied wrench.

NOTICE: Avoid applying too much pressure which causes over bending of wires when using brush. It may lead to premature breakage.

Operation with wire wheel brush

Optional accessory

CAUTION: Check operation of wire wheel brush by running tool with no load, insuring that no one is in front of or in line with the wire wheel brush.

CAUTION: Do not use wire wheel brush that is damaged, or which is out of balance. Use of damaged wire wheel brush could increase potential for injury from contact with broken wires.

CAUTION: ALWAYS use guard with wire wheel brushes, assuring diameter of wheel fits inside guard. Wheel can shatter during use and guard helps to reduce chances of personal injury.

- **Fig.25:** 1. Wire wheel brush

Remove the battery cartridge from the tool and place it upside down allowing easy access to spindle. Remove any accessories on spindle. Thread wire wheel brush onto spindle and tighten with the wrenches.

NOTICE: Avoid applying too much pressure which causes over bending of wires when using wire wheel brush. It may lead to premature breakage.

WIRELESS ACTIVATION FUNCTION

For DGA418/DGA468/DGA518 only

What you can do with the wireless activation function

The wireless activation function enables clean and comfortable operation. By connecting a supported vacuum cleaner to the tool, you can run the vacuum cleaner automatically along with the switch operation of the tool.

- **Fig.26**

To use the wireless activation function, prepare following items:

- A wireless unit
- A vacuum cleaner which supports the wireless activation function

The overview of the wireless activation function setting is as follows. Refer to each section for detail procedures.

1. Installing the wireless unit
2. Tool registration for the vacuum cleaner
3. Starting the wireless activation function

Installing the wireless unit

CAUTION: Place the tool on a flat and stable surface when installing the wireless unit.

NOTICE: Clean the dust and dirt on the tool before installing the wireless unit. Dust or dirt may cause malfunction if it comes into the slot of the wireless unit.

NOTICE: To prevent the malfunction caused by static, touch a static discharging material, such as a metal part of the tool, before picking up the wireless unit.

NOTICE: When installing the wireless unit, always be sure that the wireless unit is inserted in the correct direction and the lid is completely closed.

1. Open the lid on the tool as shown in the figure.
▶ **Fig.27:** 1. Lid
2. Insert the wireless unit to the slot and then close the lid.

When inserting the wireless unit, align the projections with the recessed portions on the slot.

- ▶ **Fig.28:** 1. Wireless unit 2. Projection 3. Lid
4. Recessed portion

When removing the wireless unit, open the lid slowly. The hooks on the back of the lid will lift the wireless unit as you pull up the lid.

- ▶ **Fig.29:** 1. Wireless unit 2. Hook 3. Lid

After removing the wireless unit, keep it in the supplied case or a static-free container.

NOTICE: Always use the hooks on the back of the lid when removing the wireless unit. If the hooks do not catch the wireless unit, close the lid completely and open it slowly again.

Tool registration for the vacuum cleaner

NOTE: A Makita vacuum cleaner supporting the wireless activation function is required for the tool registration.

NOTE: Finish installing the wireless unit to the tool before starting the tool registration.

NOTE: During the tool registration, do not pull the switch trigger or turn on the power switch on the vacuum cleaner.

NOTE: Refer to the instruction manual of the vacuum cleaner, too.

If you wish to activate the vacuum cleaner along with the switch operation of the tool, finish the tool registration beforehand.

1. Install the batteries to the vacuum cleaner and the tool.
2. Set the stand-by switch on the vacuum cleaner to "AUTO".
▶ **Fig.30:** 1. Stand-by switch

3. Press the wireless activation button on the vacuum cleaner for 3 seconds until the wireless activation lamp blinks in green. And then press the wireless activation button on the tool in the same way.

▶ **Fig.31:** 1. Wireless activation button 2. Wireless activation lamp

If the vacuum cleaner and the tool are linked successfully, the wireless activation lamps will light up in green for 2 seconds and start blinking in blue.

NOTE: The wireless activation lamps finish blinking in green after 20 seconds elapsed. Press the wireless activation button on the tool while the wireless activation lamp on the cleaner is blinking. If the wireless activation lamp does not blink in green, push the wireless activation button briefly and hold it down again.

NOTE: When performing two or more tool registrations for one vacuum cleaner, finish the tool registration one by one.

Starting the wireless activation function

NOTE: Finish the tool registration for the vacuum cleaner prior to the wireless activation.

NOTE: Refer to the instruction manual of the vacuum cleaner, too.

After registering a tool to the vacuum cleaner, the vacuum cleaner will automatically runs along with the switch operation of the tool.

1. Install the wireless unit to the tool.
2. Connect the hose of the vacuum cleaner with the tool.
▶ **Fig.32**

3. Set the stand-by switch on the vacuum cleaner to "AUTO".

▶ **Fig.33:** 1. Stand-by switch

4. Push the wireless activation button on the tool briefly. The wireless activation lamp will blink in blue.

▶ **Fig.34:** 1. Wireless activation button 2. Wireless activation lamp

5. Pull the switch trigger of the tool. Check if the vacuum cleaner runs while the switch trigger is being pulled.

To stop the wireless activation of the vacuum cleaner, push the wireless activation button on the tool.

NOTE: The wireless activation lamp on the tool will stop blinking in blue when there is no operation for 2 hours. In this case, set the stand-by switch on the vacuum cleaner to "AUTO" and push the wireless activation button on the tool again.

NOTE: The vacuum cleaner starts/stops with a delay. There is a time lag when the vacuum cleaner detects a switch operation of the tool.










NOTE: The transmission distance of the wireless unit may vary depending on the location and surrounding circumstances.

NOTE: When two or more tools are registered to one vacuum cleaner, the vacuum cleaner may start running even if you don't pull the switch trigger because another user is using the wireless activation function.

Description of the wireless activation lamp status

► Fig.35: 1. Wireless activation lamp

The wireless activation lamp shows the status of the wireless activation function. Refer to the table below for the meaning of the lamp status.

Status	Wireless activation lamp				Description
	Color	 On	 Blinking	Duration	
Standby	Blue			2 hours	The wireless activation of the vacuum cleaner is available. The lamp will automatically turn off when no operation is performed for 2 hours.
				When the tool is running.	The wireless activation of the vacuum cleaner is available and the tool is running.
Tool registration	Green			20 seconds	Ready for the tool registration. Waiting for the registration by the vacuum cleaner.
				2 seconds	The tool registration has been finished. The wireless activation lamp will start blinking in blue.
Cancelling tool registration	Red			20 seconds	Ready for the cancellation of the tool registration. Waiting for the cancellation by the vacuum cleaner.
				2 seconds	The cancellation of the tool registration has been finished. The wireless activation lamp will start blinking in blue.
Others	Red			3 seconds	The power is supplied to the wireless unit and the wireless activation function is starting up.
	Off		-	-	The wireless activation of the vacuum cleaner is stopped.

Cancelling tool registration for the vacuum cleaner

Perform the following procedure when cancelling the tool registration for the vacuum cleaner.

1. Install the batteries to the vacuum cleaner and the tool.
2. Set the stand-by switch on the vacuum cleaner to "AUTO".

► Fig.36: 1. Stand-by switch

3. Press the wireless activation button on the vacuum cleaner for 6 seconds. The wireless activation lamp blinks in green and then become red. After that, press the wireless activation button on the tool in the same way.

► Fig.37: 1. Wireless activation button 2. Wireless activation lamp

If the cancellation is performed successfully, the wireless activation lamps will light up in red for 2 seconds and start blinking in blue.

NOTE: The wireless activation lamps finish blinking in red after 20 seconds elapsed. Press the wireless activation button on the tool while the wireless activation lamp on the cleaner is blinking. If the wireless activation lamp does not blink in red, push the wireless activation button briefly and hold it down again.

Troubleshooting for wireless activation function

Before asking for repairs, conduct your own inspection first. If you find a problem that is not explained in the manual, do not attempt to dismantle the tool. Instead, ask Makita Authorized Service Centers, always using Makita replacement parts for repairs.

State of abnormality	Probable cause (malfunction)	Remedy
The wireless activation lamp does not light/blink.	The wireless unit is not installed into the tool. The wireless unit is improperly installed into the tool.	Install the wireless unit correctly.
	The terminal of the wireless unit and/or the slot is dirty.	Gently wipe off dust and dirt on the terminal of the wireless unit and clean the slot.
	The wireless activation button on the tool has not been pushed.	Push the wireless activation button on the tool briefly.
	The stand-by switch on the vacuum cleaner is not set to "AUTO".	Set the stand-by switch on the vacuum cleaner to "AUTO".
	No power supply	Supply the power to the tool and the vacuum cleaner.
Cannot finish tool registration / cancelling tool registration successfully.	The wireless unit is not installed into the tool. The wireless unit is improperly installed into the tool.	Install the wireless unit correctly.
	The terminal of the wireless unit and/or the slot is dirty.	Gently wipe off dust and dirt on the terminal of the wireless unit and clean the slot.
	The stand-by switch on the vacuum cleaner is not set to "AUTO".	Set the stand-by switch on the vacuum cleaner to "AUTO".
	No power supply	Supply the power to the tool and the vacuum cleaner.
	Incorrect operation	Push the wireless activation button briefly and perform the tool registration/cancellation procedures again.
	The tool and vacuum cleaner is away from each other (out of the transmission range).	Get the tool and vacuum cleaner closer to each other. The maximum transmission distance is approximately 10 m however it may vary according to the circumstances.
	Before finishing the tool registration/cancellation; - the switch trigger on the tool is pulled or; - the power button on the vacuum cleaner is turned on.	Push the wireless activation button briefly and perform the tool registration/cancellation procedures again.
	The tool registration procedures for the tool or vacuum cleaner has not finished.	Perform the tool registration procedures for both the tool and the vacuum cleaner at the same timing.
Radio disturbance by other appliances which generate high-intensity radio waves.	Keep the tool and vacuum cleaner away from the appliances such as Wi-Fi devices and microwave ovens.	

State of abnormality	Probable cause (malfunction)	Remedy
The vacuum cleaner does not run along with the switch operation of the tool.	The wireless unit is not installed into the tool. The wireless unit is improperly installed into the tool.	Install the wireless unit correctly.
	The terminal of the wireless unit and/or the slot is dirty.	Gently wipe off dust and dirt on the terminal of the wireless unit and clean the slot.
	The wireless activation button on the tool has not been pushed.	Push the wireless activation button briefly and make sure that the wireless activation lamp is blinking in blue.
	The stand-by switch on the vacuum cleaner is not set to "AUTO".	Set the stand-by switch on the vacuum cleaner to "AUTO".
	More than 10 tools are registered to the vacuum cleaner.	Perform the tool registration again. If more than 10 tools are registered to the vacuum cleaner, the tool registered earliest will be cancelled automatically.
	The vacuum cleaner erased all tool registrations.	Perform the tool registration again.
	No power supply	Supply the power to the tool and the vacuum cleaner.
	The tool and vacuum cleaner is away from each other (out of the transmission range).	Get the tool and vacuum cleaner closer each other. The maximum transmission distance is approximately 10 m however it may vary according to the circumstances.
	Radio disturbance by other appliances which generate high-intensity radio waves.	Keep the tool and vacuum cleaner away from the appliances such as Wi-Fi devices and microwave ovens.
The vacuum cleaner runs while the tool's switch trigger is not pulled.	Other users are using the wireless activation of the vacuum cleaner with their tools.	Turn off the wireless activation button of the other tools or cancel the tool registration of the other tools.

MAINTENANCE

⚠ CAUTION: Always be sure that the tool is switched off and the battery cartridge is removed before attempting to perform inspection or maintenance.

NOTICE: Never use gasoline, benzene, thinner, alcohol or the like. Discoloration, deformation or cracks may result.

Air vent cleaning

The tool and its air vents have to be kept clean. Regularly clean the tool's air vents or whenever the vents start to become obstructed.

► **Fig.38:** 1. Exhaust vent 2. Inhalation vent

Remove the dust cover from inhalation vent and clean it for smooth air circulation.

► **Fig.39:** 1. Dust cover

NOTICE: Clean out the dust cover when it is clogged with dust or foreign matters. Continuing operation with a clogged dust cover may damage the tool.

OPTIONAL ACCESSORIES

⚠ CAUTION: These accessories or attachments are recommended for use with your Makita tool specified in this manual. The use of any other accessories or attachments might present a risk of injury to persons. Only use accessory or attachment for its stated purpose.

If you need any assistance for more details regarding these accessories, ask your local Makita Service Center.

- Makita genuine battery and charger
- Wireless unit (For models with wireless activation function)

► **Fig.40**

-	100 mm (4") model	115 mm (4-1/2") model	125 mm (5") model
1	Grip 36		
2	Wheel Guard (for grinding wheel)		
3	Inner flange		
4	Depressed center wheel / Flap disc		
5	Lock nut		
6	Back up pad		
7	Flex wheel		
8	Inner flange and rubber pad 76	Rubber pad 100	Rubber pad 115
9	Abrasive disc		
10	Sanding lock nut		
11	Wire wheel brush		
12	Wire cup brush		
13	Wheel Guard (for cut-off wheel) *1		
14	Abrasive cut-off wheel / Diamond wheel		
15	Dust collecting wheel guard		
-	Lock nut wrench		

NOTE: *1 In some European countries, when using a diamond wheel, the ordinary guard can be used instead of the special guard covering the both side of the wheel. Follow the regulations in your country.

NOTE: Some items in the list may be included in the tool package as standard accessories. They may differ from country to country.

SPECIFIKATIONER

Modell:	DGA417	DGA418
Kapskivans diameter	100 mm (4")	
Max. skivtjocklek	6,4 mm	
Spindelgånga	M10	
Nominellt varvtal (n)	8 500 min ⁻¹	
Total längd	382 mm	
Märkspänning	18 V likström	
Nettovikt	2,2 - 2,9 kg	
Elektronisk broms	✓	
Funktion för trådlös aktivering	-	✓

Modell:	DGA467	DGA468
Kapskivans diameter	115 mm (4-1/2")	
Max. skivtjocklek	7,2 mm	
Spindelgånga	M14 eller 5/8" (landsspecifikt)	
Nominellt varvtal (n)	8 500 min ⁻¹	
Total längd	382 mm	
Märkspänning	18 V likström	
Nettovikt	2,4 - 3,1 kg	
Elektronisk broms	✓	
Funktion för trådlös aktivering	-	✓

Modell:	DGA517	DGA518
Kapskivans diameter	125 mm (5")	
Max. skivtjocklek	7,2 mm	
Spindelgånga	M14 eller 5/8" (landsspecifikt)	
Nominellt varvtal (n)	8 500 min ⁻¹	
Total längd	382 mm	
Märkspänning	18 V likström	
Nettovikt	2,4 - 3,1 kg	
Elektronisk broms	✓	
Funktion för trådlös aktivering	-	✓

- På grund av vårt pågående program för forskning och utveckling kan dessa specifikationer ändras utan föregående meddelande.
- Specifikationer kan variera mellan olika länder.
- Vikten kan variera beroende på tillbehören, inklusive batterikassett. Den lättaste och den tyngsta kombinationen enligt EPTA-procedur 01/2014 visas i tabellen.

Tillgänglig batterikassett

BL1815N / BL1820 / BL1820B / BL1830 / BL1830B / BL1840 / BL1840B / BL1850 / BL1850B / BL1860B

- Vissa av batterikassetterna på listan ovan kanske inte finns tillgängliga i din region.

⚠ VARNING: Använd endast batterikassetter från listan ovan. Användning av andra batterikassetter kan orsaka personskada och/eller brand.

Avsedd användning

Maskinen är avsedd för slipning och kapning i trä och stenmaterial utan användning av vatten.

Buller

Den normala bullernivån för A-belastning är bestämd enligt EN60745:

Modell	Ljudtrycksnivå (L_{pA}) : (dB(A))	Ljudeffektnivå (L_{WA}) : (dB(A))	Måttolerans (K): (dB(A))
DGA417	80	-	3
DGA418	80	-	3
DGA467	80	-	3
DGA468	80	-	3
DGA517	79	-	3
DGA518	79	-	3

Bullernivån vid arbete kan överstiga 80 dB (A).

⚠ VARNING: Använd hörselskydd.

Vibration

Det totala vibrationsvärdet (treaxlad vektorsumma) bestämt enligt EN60745:

Arbetsläge: planslipning med normalt sidohandtag

Modell	Vibrationsemission ($a_{h, AG}$) : (m/s^2)	Måttolerans (K): (m/s^2)
DGA417	4,5	1,5
DGA418	4,5	1,5
DGA467	5,5	1,5
DGA468	5,5	1,5
DGA517	6,0	1,5
DGA518	6,0	1,5

Arbetsläge: planslipning med anti-vibrationssidohandtag

Modell	Vibrationsemission ($a_{h, AG}$) : (m/s^2)	Måttolerans (K): (m/s^2)
DGA417	4,5	1,5
DGA418	4,5	1,5
DGA467	5,0	1,5
DGA468	5,0	1,5
DGA517	5,5	1,5
DGA518	5,5	1,5

Arbetsläge: skivslipning med normalt sidohandtag

Modell	Vibrationsemission ($a_{h, DS}$) : (m/s^2)	Måttolerans (K): (m/s^2)
DGA417	2,5 m/s^2 eller lägre	1,5
DGA418	2,5 m/s^2 eller lägre	1,5
DGA467	2,5 m/s^2 eller lägre	1,5
DGA468	2,5 m/s^2 eller lägre	1,5
DGA517	2,5 m/s^2 eller lägre	1,5
DGA518	2,5 m/s^2 eller lägre	1,5

Arbetsläge: skivslipning med anti-vibrationssidohandtag

Modell	Vibrationsemission ($a_{h, ds}$) : (m/s^2)	Måttolerans (K): (m/s^2)
DGA417	2,5 m/s^2 eller lägre	1,5
DGA418	2,5 m/s^2 eller lägre	1,5
DGA467	2,5 m/s^2 eller lägre	1,5
DGA468	2,5 m/s^2 eller lägre	1,5
DGA517	2,5 m/s^2 eller lägre	1,5
DGA518	2,5 m/s^2 eller lägre	1,5

OBS: Det deklarerade vibrationsemissionsvärdet har uppmätts i enlighet med standardtestmetoden och kan användas för att jämföra en maskin med en annan.

OBS: Det deklarerade vibrationsemissionsvärdet kan också användas i en preliminär bedömning av exponering för vibration.

⚠ VARNING: Vibrationsemissionen under faktisk användning av maskinen kan skilja sig från det deklarerade emissionsvärdet, beroende på hur maskinen används.

⚠ VARNING: Var noga med att identifiera säkerhetsåtgärder för att skydda användaren, vilka är grundade på en uppskattning av graden av exponering för vibrationer under de faktiska användningsförhållandena, (ta, förutom avtryckartiden, med alla delar av användarcykeln i beräkningen, som till exempel tiden då maskinen är avstängd och när den går på tomgång).

⚠ VARNING: Det deklarerade vibrationsemissionsvärdet används för maskinens huvudsakliga arbetsuppgifter. Om maskinen används för andra arbetsuppgifter kan däremot vibrationsemissionsvärdet bli annorlunda.

EG-försäkran om överensstämmelse

Gäller endast inom EU

EG-försäkran om överensstämmelse inkluderas som bilaga A till denna bruksanvisning.

SÄKERHETSVARNINGAR

Allmänna säkerhetsvarningar för maskiner

⚠ VARNING: Läs alla säkerhetsvarningar, anvisningar, illustrationer och specifikationer som medföljer det här maskinen. Underlåtenhet att följa instruktionerna kan leda till elstötar, brand och/eller allvarliga personskador.

Spara alla varningar och instruktioner för framtida referens.

Termen "maskin" som anges i varningarna hänvisar till din eldrivna maskin (sladdansluten) eller batteridrivna maskin (sladdlös).

Säkerhetsvarningar för batteridrivna slipmaskin

Säkerhetsvarningar för slipning, stålborstning eller abrasiv skärning:

1. Den här maskinen är utformad för att användas för slipning, stålborstning eller som skärverktyg. Läs alla säkerhetsvarningar, anvisningar, illustrationer och specifikationer som medföljer den här maskinen. Underlåtenhet att följa instruktionerna kan leda till elstötar, brand och/eller allvarliga personskador.

2. Den här maskinen rekommenderas inte för poleringsarbeten. Om maskinen används till andra arbeten än de avsedda, kan det orsaka fara och personskada.
3. Använd inte tillbehör som inte är särskilt tillverkade och rekommenderade av maskinens tillverkare. Även om ett tillbehör kan fästas på maskinen garanterar detta inte säker funktion.
4. Tillbehörets nominella varvtal måste vara minst lika med det maximala varvtalet som anges på verktyget. Tillbehör som används över det nominella varvtalet kan gå sönder och orsaka skador.
5. Tillbehörets ytterdiameter och tjocklek måste vara anpassad till elverktygets kapacitetsklassning. Tillbehör i olämplig storlek kan inte skyddas eller styras tillräckligt väl.
6. Gångorna på tillbehör som monteras måste stämma överens med spindelgångarna på slipmaskinen. För tillbehör som monteras med flänsar måste tillbehörets centrumhål passa i flänsens lokaliseringsdiameter. Tillbehör som inte passar exakt på maskinens monteringsbeslag roterar ojämnt, vibrerar kraftigt och kan leda till att du förlorar kontrollen.
7. Använd inte ett skadat tillbehör. Kontrollera tillbehör som slipdeller efter hack och sprickor, underlagsplattor efter sprickor, slitage och stålborstar efter lösa eller brutna trådar. Om du tappar maskinen eller ett tillbehör ska du kontrollera att det inte har uppstått några skador, eller så ska tillbehöret bytas ut mot ett oskadat. Efter kontroll och montering av tillbehöret ska du och åskådare hålla er borta från det roterande tillbehöret samtidigt som du kör maskinen på full fart utan last i en minut. Skadade tillbehör går normalt sönder under den här testtiden.

8. **Använd personlig skyddsutrustning.** Använd visir, korgglasögon eller skyddsglasögon beroende på arbetsuppgift. Använd vid behov dammskydd, hörselskydd, handskar och skyddsförkläde som stoppar små bitar slipmaterial eller fragment från arbetsstycket. Ögonskyddet måste kunna stoppa flygande fragment som uppstår vid olika arbeten. Dammskyddet eller andningskyddet måste kunna filtrera partiklar som uppstår vid olika arbeten. Lång tid i kraftigt buller kan orsaka hörselskador.
9. **Håll personer i omgivningen på säkert avstånd från arbetsområdet. Alla som befinner sig i arbetsområdet måste använda skyddsutrustning.** Delar av arbetsstycket eller defekta tillbehör kan flyga iväg och orsaka skador utanför arbetsområdet.
10. **Håll maskinen endast i de isolerade handtagen om det finns risk för att skärverktyget kan komma i kontakt med en dold elkabel.** Om skärverktyget kommer i kontakt med en strömförande ledning blir maskinens metalldelar strömförande och kan ge användaren en elektrisk stöt.
11. **Lägg aldrig elverktyget åt sidan förrän det har stannat helt.** Det roterande tillbehöret kan gripa tag i underlaget och du kan förlora kontrollen över maskinen.
12. **Kör inte verktyget samtidigt som du bär det.** Oavsiktlig kontakt med det roterande tillbehöret kan leda till att det fastnar i dina kläder och dras in mot kroppen.
13. **Rengör regelbundet verktygets ventilationsöppningar.** Motorns fläkt suger in damm i höljet och överdriven ansamling av pulveriserad metall kan orsaka elektrisk fara.
14. **Använd inte verktyget i närheten av lättantändliga material.** Gnistor kan antända dessa material.
15. **Använd inte tillbehör som kräver flytande kylvätskor.** Att använda vatten eller andra flytande kylvätskor kan orsaka dödsfall eller elektriska stötar.
2. **Placera aldrig din hand nära det roterande tillbehöret.** Tillbehöret kan kastas bakåt över din hand.
3. **Ställ dig inte där maskinen kommer att förflytta sig i händelse av bakåtkast.** Bakåtkast driver verktyget i motsatt riktning till kapskivans rörelse vid kärvningspunkten.
4. **Var extra försiktig när du bearbetar hörn, vassa kanter osv. Undvik att studsa och stöta tillbehöret.** Hörn, skarpa kanter eller studsning har en tendens att klämma det roterande tillbehöret och orsaka förlorad kontroll eller bakåtkast.
5. **Montera inte en sågkedja, snidarblad eller ett tandat sågblad.** Sådana blad orsakar ofta bakåtkast och förlorad kontroll.

Säkerhetsvarningar för slipning och abrasiv skärning:

1. **Använd endast de skivor som rekommenderas för din maskin och det särskilda sprängskyddet för skivan.** Skivor som inte tillverkats för maskinen kan inte skyddas tillräckligt och är inte tillförlitliga.
2. **Slipynt på nedsänkta skivor måste monteras under planet från sprängskyddets kant.** En felaktigt monterad skiva som sticker utanför planet från sprängskyddets kant är inte tillräckligt skyddad.
3. **Sprängskyddet måste vara ordentligt fäst vid maskinen och placerat för maximal säkerhet, så att minsta möjliga yta av skivan är öppen mot användare.** Sprängskyddet skyddar användaren mot trasiga skivdelar, oavsiktlig kontakt med skivan och gnistor som kan antända kläder.
4. **Kapskivorna får endast användas till rekommenderade arbetsuppgifter. Till exempel: Slipa inte med en kapskivas utsida.** Slipande kapskivor är avsedda för periferislipning. Sidokrafter kan spränga sådana skivor.
5. **Använd alltid oskadade skivflansar i rätt storlek och form till din skiva.** Rätt skivflansar stöder kapskivan och minskar därigenom risken för att skivan går sönder. Flansar till kapskivor kan skilja sig från flansar till slipskivor.
6. **Använd inte nedslitna skivor för större maskiner.** Skivor avsedda för större maskiner är inte lämpliga för mindre maskiners högre varvtal och kan spricka.

Ytterligare särskilda säkerhetsvarningar för abrasiv skärning:

1. **"Pressa" inte skivan eller utsätt den för överdrivet tryck. Försök inte att göra ett alltför stort kapdjup.** Om kapskivan överbelastas ökar belastningen och risken för att skivan vrids eller fastnar i kapet samt risken för bakåtkast eller att skivan går sönder.
2. **Placera inte din kropp längs med eller bakom den roterande skivan.** När skivan rör sig ifrån dig, kan ett bakåtkast skicka den roterande skivan och maskinen mot dig.
3. **Om kapskivan kärvar eller om ett kap avbryts stänger du av elverktyget och håller det stilla tills skivan har stannat helt. Försök aldrig att ta ut kapskivan ur skåret när skivan är i rörelse, för att undvika bakåtkast.** Undersök och vidta korrigeringsåtgärder för att eliminera orsaken till att kapskivan fastnar.

Bakåtkast och relaterade varningar

Bakåtkast är en plötslig reaktion på fastnytt roterande hjul, underlagsplatta, borste eller annat tillbehör. Nyp och kärvning orsakar stegring av det roterande tillbehöret, och orsakar i sin tur att den okontrollerade maskinen tvingas i motsatt riktning vid kärvningspunkten.

Om till exempel en slipskiva fastnar i eller kläms fast av arbetsstycket kan skivans kapande kant gräva sig in i materialytan vid klämpunkten, vilket leder till att skivan klättrar eller kastas tillbaka. Skivan kan antingen hoppa mot eller från användaren, beroende på skivans rörelseriktning vid klämpunkten. Slipskivorna kan även gå sönder under dessa omständigheter.

Bakåtkast beror på ovarsamhet och/eller felaktiga arbetsrutiner, och kan undvikas genom att vidta nedanstående förebyggande åtgärder.

1. **Se till att hålla verktyget i ett fast grepp och placera kroppen och din arm på ett sätt som gör att du kan stå emot kraften från bakåtkast.** Använd alltid ett extrahandtag, om sådant finns, för maximal kontroll vid bakåtkast eller vridrörelsen vid start. Användaren kan kontrollera vridrörelsen eller krafterna vid bakåtkast om rätt försiktighetsåtgärder vidtas.

4. **Starta inte om kapningen med verktyget kvar i arbetsstycket. Låt maskinen nå full hastighet och gå tillbaka i skäret.** Kapskivan kan fastna, vandra uppåt eller kastas bakåt om elverket startas om i arbetsstycket.
5. **Stötta långa eller stora arbetsstycken för att minimera risken för att kapskivan fastnar och kastas bakåt.** Stora arbetsstycken tenderar att svikta på grund av sin egen vikt. Stöd måste placeras under arbetsstycket nära såglinjen och nära arbetsstyckets kanter på båda sidorna om kapskivan.
6. **Var extra försiktig vid genomstickssågning i en befintlig vägg eller andra dolda utrymmen.** Den utskjutande kapskivan kan kapa gas- eller vattenledningar, elledningar eller föremål som kan orsaka bakåtkast.
10. **Använd inte separata reducerhylsor eller adapterar för att kunna använda sliprondeller med större hål.**
11. **Använd endast flänsar som är avsedda för den här maskinen.**
12. **Kontrollera att gänglängden i rondellen är tillräckligt lång för spindellängden om rondellen är avsedd att gängas fast.**
13. **Kontrollera att arbetsstycket är ordentligt fastsatt.**
14. **Tänk på att rondellen fortsätter att rotera efter att maskinen stängts av.**
15. **Om arbetsplatsen är extremt varm och fuktig, eller har hög koncentration av elektriskt ledande damm, ska jordfelsbrytare (30 mA) användas för användarens säkerhet.**

Säkerhetsvarningar särskilt vid slipning:

1. **Använd inte för stora slipskivor. Följ tillverkarens rekommendationer när du väljer slipskiva.** Större slippapper som sticker ut utanför underlaget ger risk för rivning och kan orsaka kärvning, rivning av skivan eller bakåtkast.

Säkerhetsvarningar särskilt vid stålborstning:

1. **Var uppmärksam på att trådbrätor kastas ut från borsten även vid normal användning. Överbelasta inte trådarna genom att anlägga onödigt stor kraft mot borsten.** Trådarna kan enkelt gå igenom tunnare klädsel och/eller huden.
2. **Om användning av skydd rekommenderas vid stålborstning får inte borstskivan eller borsten gå emot skyddet.** Borstens diameter kan expandera på grund av belastningen eller centrifugalkraften.

Ytterligare säkerhetsvarningar:

1. **Vid användning av nedsänkta center-rondeller ska endast glasfiberförstärkta rondeller användas.**
2. **ANVÄND ALDRIG sten-skålskivor med denna slipmaskin.** Denna slipmaskin är inte konstruerad för denna typ av skivor och användningen av dessa kan resultera i allvarlig personskada.
3. **Var försiktig så att inte spindeln, flänsen (i synnerhet monteringsytan) eller låsmuttern skadas. Skador på någon av dessa delar kan medföra att rondellen förstörs.**
4. **Se till att rondellen inte är i kontakt med arbetsstycket när du trycker på avtryckaren.**
5. **Låt verktyget vara igång en stund innan det används på arbetsstycket. Kontrollera att skivan inte vibrerar eller skakar, vilket kan innebära att den är felaktigt monterad eller dåligt balanserad.**
6. **Slipa endast med den del av rondellen som är avsedd för slipning.**
7. **Lämna inte maskinen igång. Använd endast maskinen när du håller den i händerna.**
8. **Rör inte vid arbetsstycket omedelbart efter arbetet. Det kan vara extremt varmt och orsaka brännskador.**
9. **Följ tillverkarens anvisningar för korrekt montering och användning av rondeller. Hantera rondellerna varsamt och förvara dem på en säker plats.**

11. **Använd inte separata reducerhylsor eller adapterar för att kunna använda sliprondeller med större hål.**
12. **Kontrollera att gänglängden i rondellen är tillräckligt lång för spindellängden om rondellen är avsedd att gängas fast.**
13. **Kontrollera att arbetsstycket är ordentligt fastsatt.**
14. **Tänk på att rondellen fortsätter att rotera efter att maskinen stängts av.**
15. **Om arbetsplatsen är extremt varm och fuktig, eller har hög koncentration av elektriskt ledande damm, ska jordfelsbrytare (30 mA) användas för användarens säkerhet.**
16. **Använd inte maskinen för material som innehåller asbest.**
17. **Använd alltid föreskrivet dammuppsamlare sprängskydd när du arbetar med kapskiva.**
18. **Kapskivor får inte utsättas för sidkrafter.**
19. **Använd inte arbetshandskar i tyg när du arbetar med maskinen. Fibrer från tyghandskar kan komma in i maskinen och orsaka fel.**

SPARA DESSA ANVISNINGAR.

⚠ VARNING: GLÖM INTE att också fortsättningsvis strikt följa säkerhetsanvisningarna för maskinen även efter att du blivit van att använda den. Vid **FELAKTIG HANTERING** av maskinen eller om inte säkerhetsanvisningarna i denna bruksanvisning följs kan följden bli allvarliga personskador.

Viktiga säkerhetsanvisningar för batterikassetten

1. **Innan batterikassetten används ska alla instruktioner och varningsmärken på (1) batteriladdaren, (2) batteriet och (3) produkten läsas.**
2. **Montera inte isär batterikassetten.**
3. **Om drifttiden blivit avsevärt kortare ska användningen avbrytas omedelbart. Det kan uppstå överhettning, brännskador och t o m en explosion.**
4. **Om du får elektrolyt i ögonen ska de sköljas med rent vatten och läkare uppsökas omedelbart. Det finns risk för att synen förloras.**
5. **Kortslut inte batterikassetten.**
 - (1) Rör inte vid polerna med något strömförande material.
 - (2) Undvik att förvara batterikassetten tillsammans med andra metallobjekt som t.ex. spikar, mynt o.s.v.
 - (3) Skydda batteriet mot vatten och regn. En batterikortslutning kan orsaka ett stort strömflöde, överhettning, brand och maskinhaveri.
6. **Förvara inte maskinen och batterikassetten på platser där temperaturen kan nå eller överstiga 50 °C.**

7. **Bränn inte upp batterikassetten även om den är svårt skadad eller helt utsliten. Batterikassetten kan explodera i öppen eld.**
8. **Var försiktig så att du inte råkar tappa batteriet och utsätt det inte för stötar.**
9. **Använd inte ett skadat batteri.**
10. **De följande litiumjonbatterierna är föremål för kraven i gällande lagstiftning för farligt gods.** För kommersiella transporter (av t.ex. tredje parter som speditorsfirmor) måste de särskilda transportkrav som anges på emballaget och etiketter iakttas.
För att förbereda den produkt som ska avsändas krävs att du konsulterar en expert på riskmaterial. Var också uppmärksam på att det i ditt land kan finnas ytterligare föreskrifter att följa.
Tejpa över eller maskera blottade kontakter och packa batteriet på sådant sätt att det inte kan röra sig fritt i förpackningen.
11. **Följ lokala föreskrifter beträffande avfallshandling av batteriet.**
12. **Använd endast batterierna med de produkter som specificerats av Makita.** Att använda batterierna med ej godkända produkter kan leda till brand, överdriven värme, explosion eller utläckande elektrolyt.

SPARA DESSA ANVISNINGAR.

⚠ FÖRSIKTIGT: Använda endast äkta Makita-batterier. Användning av oäkta Makita-batterier eller batterier som har manipulerats kan leda till person- och utrustningsskador eller till att batteriet fattar eld. Det upphäver också Makitas garanti för verktyget och laddaren.

Tips för att uppnå batteriets maximala livslängd

1. Ladda batterikassetten innan den är helt urladdad. Stanna alltid maskinen och ladda batterikassetten när du märker att maskinen blir svagare.
2. Ladda aldrig en fulladdad batterikassett. Överladdning förkortar batteriets livslängd.
3. Ladda batterikassetten vid en rumstemperatur på 10 °C - 40 °C. Låt en varm batterikassett svalna innan den laddas.
4. Ladda batterikassetten om du inte har använt den på länge (mer än sex månader).
6. Använd inte den trådlösa enheten på platser där medicinska instrument som pacemakers finns i närheten.
7. Använd inte den trådlösa enheten på platser där automatiska enheter finns i närheten. Om de är igång kan automatiska enheter utveckla funktionsstörningar eller fel.
8. Den trådlösa enheten kan alstra elektromagnetiska fält (EMF) men dessa är inte skadliga för användaren.
9. Den trådlösa enheten är ett noggrant instrument. Var försiktig så att du inte råkar tappa den trådlösa enheten eller utsätta den för stötar.
10. Undvik att vidröra den trådlösa enhetens terminal med bara händer eller metallmaterial.
11. Ta alltid bort batteriet på verktyget när du installerar den trådlösa enheten.
12. När du öppnar skårans lock, undvik då det ställe där damm och vatten kan komma in i skåran. Håll alltid skårans inlopp rent.
13. Sätt alltid in den trådlösa enheten i rätt riktning.
14. Tryck inte för hårt på knappen för trådlös aktivering på den trådlösa enheten, och tryck inte på knappen med ett föremål med vass kant.
15. Stäng alltid skårans lock vid körning.
16. Ta inte bort den trådlösa enheten från skåran medan ström tillförs till verktyget. Att göra det kan orsaka funktionsfel på den trådlösa enheten.
17. Ta inte bort dekalen på den trådlösa enheten.
18. Sätt inte någon dekal på den trådlösa enheten.
19. Lämna inte den trådlösa enheten någonstans där det kan skapas statisk elektricitet eller elektriskt brus.
20. Lämna inte den trådlösa enheten någonstans där den utsätts för hög värme, t.ex. en bil i solen.
21. Lämna inte den trådlösa enheten på ett dammigt eller pulvrigt ställe eller någonstans där korrosiv gas kan bildas.
22. Plötsliga temperaturförändringar kan göra den trådlösa enheten daggbestänkt. Använd inte den trådlösa enheten förrän daggen helt har torkat bort.
23. När den trådlösa enheten rengörs, torka den då med en torr mjuk duk. Använd inte tvättbensin, thinner, konduktivt fett eller liknande.
24. När den trådlösa enheten ska tas i förvar, ha den då i det tillhörande fodralet eller en behållare med skydd mot statisk laddning.
25. Sätt inte in några andra enheter än den trådlösa Makita-enheten i skåran på verktyget.
26. Använd inte verktyget om skårans lock är skadat. Det kan komma in vatten, damm och smuts i skåran som orsakar funktionsfel.
27. Dra eller vrid inte skårans lock mer än nödvändigt. Sätt tillbaka locket om det lossnar från verktyget.
28. Ersätt skårans lock om det går förlorat eller skadas.

Viktiga säkerhetsanvisningar för den trådlösa enheten

1. Montera inte isär eller manipulera den trådlösa enheten.
2. Förvara den trådlösa enheten utom räckhåll för barn. Om den råkar sväljas, sök omedelbart läkarhjälp.
3. Använd den trådlösa enheten endast ihop med Makita-verktyg.
4. Utsätt inte den trådlösa enheten för regn eller våta förhållanden.
5. Använd inte den trådlösa enheten på platser där temperaturen överstiger 50 °C.

SPARA DESSA ANVISNINGAR.

FUNKTIONSBESKRIVNING

⚠ FÖRSIKTIGT: Se alltid till att maskinen är avstängd och batterikassetten borttagen innan du justerar maskinen eller kontrollerar dess funktioner.

Montera eller demontera batterikassetten

⚠ FÖRSIKTIGT: Stäng alltid av maskinen innan du monterar eller tar bort batterikassetten.

⚠ FÖRSIKTIGT: Håll stadigt i maskinen och batterikassetten när du monterar eller tar bort batterikassetten. I annat fall kan det leda till att de glider ur dina händer och orsakar skada på maskinen och batterikassetten samt personskada.

► **Fig.1:** 1. Röd indikator 2. Knapp 3. Batterikassett

Ta bort batterikassetten genom att skjuta ner knappen på kassetten framsida samtidigt som du drar ut batterikassetten.

Sätt i batterikassetten genom att rikta in tungan på batterikassetten mot spåret i höljet och skjut den på plats. Tryck in batterikassetten ordentligt tills den låser fast med ett klick. Om du kan se den röda indikatorn på knappens ovansida är den inte låst ordentligt.

⚠ FÖRSIKTIGT: Sätt alltid i batterikassetten helt tills den röda indikatorn inte längre syns. I annat fall kan den oväntat falla ur maskinen och skada dig eller någon annan.

⚠ FÖRSIKTIGT: Montera inte batterikassetten med våld. Om kassetten inte lätt glider på plats är den felisatt.

Indikerar kvarvarande batterikapacitet

Endast för batterikassetter med indikator

► **Fig.2:** 1. Indikatorlampor 2. Kontrollknapp

Tryck på kontrollknappen på batterikassetten för att se kvarvarande batterikapacitet. Indikatorlamporna lyser i ett par sekunder.

Indikatorlampor			Kvarvarande kapacitet
Upplyst	Av	Blinkar	
■	□	◐	75% till 100%
■	■	■	
■	■	□	50% till 75%
■	□	□	25% till 50%
■	□	□	0% till 25%
◐	□	□	Ladda batteriet.
■	■	□	Batteriet kan ha skadats.
□	□	■	

OBS: Beroende på användningsförhållanden och den omgivande temperaturen kan indikationen skilja sig lätt från den faktiska batterikapaciteten.

Indikerar kvarvarande batterikapacitet

Landsspecifik

När maskinen startas visar batteriindikatorn kvarvarande batterikapacitet.

► **Fig.3:** 1. Batteriindikator

Den kvarvarande batterikapaciteten visas som i nedanstående tabell.

Batteriindikatorstatus			Kvarvarande batterikapacitet
På	Av	Blinkar	
			50 % till 100 %
			20 % till 50 %
			0 % till 20 %
			Ladda batteriet

Skyddssystem för maskinen/batteriet

Verktyget är utrustat med ett skyddssystem för verktyget/batteriet. Detta system bryter automatiskt strömmen till motorn för att förlänga verktygets och batteriets livslängd. Verktyget stoppar automatiskt under användningen om verktyget eller batteriet hamnar i en av följande situationer:

Överbelastningsskydd

Om maskinen används på ett sätt som gör att den drar normalt mycket ström kan den stoppas automatiskt utan någon varning. När detta sker stänger du av maskinen och upphör med arbetet som gjorde att maskinen överbelastades. Starta därefter upp maskinen igen.

Överhettningsskydd

När maskinen är överhettad stoppar den automatiskt och batteriindikatorn visar nedanstående status. Låt då maskinen svalna innan du startar den igen.

På	Blinkar

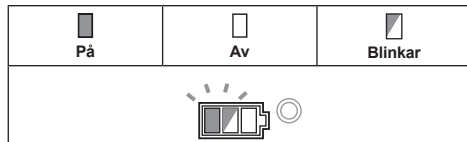
Om maskinen inte startar kan det hända att batteriet är överhettat. Låt då batteriet svalna innan du startar maskinen igen.

Överurladdningsskydd

När batteriets kapacitet är otillräcklig stoppar maskinen automatiskt. I sådant fall ska batteriet tas ur maskinen och laddas.

Frigöra skyddslåset

När skyddssystemet aktiveras flera gånger låses maskinen och batteriindikatorn visar nedanstående status. I denna situation startar inte maskinen även om den slås av och sedan på igen. För att frigöra skyddslåset tar du ur batteriet, sätter det i batteriladdaren och väntar tills laddningen är klar.



Spindellås

Tryck ned spindellåset för att förhindra att spindelröter när du monterar eller tar bort tillbehör.

► Fig.4: 1. Spindellås

OBSERVERA: Aktivera aldrig spindellåset medan spindeln rör sig. I annat fall kan maskinen skadas.

Avtryckarens funktion

⚠ FÖRSIKTIGT: Kontrollera alltid att avtryckaren löser ut ordentligt och återgår till läget "OFF" när den släpps innan batterikassetten installeras i verktyget.

⚠ FÖRSIKTIGT: Tryck aldrig in avtryckaren hårt utan att ha tryckt in säkerhetsspärren. I annat fall kan avtryckaren skadas.

⚠ FÖRSIKTIGT: Detta verktyg är utrustat med en säkerhetsspärr som förhindrar oavsiktlig start. Använd ALDRIG maskinen om den startar när du trycker på avtryckaren utan att ha tryckt in säkerhetsspärren. Returnera verktyget till ett auktoriserat servicecenter för reparation INNAN du fortsätter att använda det.

⚠ FÖRSIKTIGT: Sätt ALDRIG säkerhetsspärren ur funktion genom att t.ex. tejpa över den.

För att förhindra att avtryckaren trycks in av misstag finns det en säkerhetsspärr.

Starta verktyget genom att dra säkerhetsspärren mot dig, och tryck sedan in avtryckaren.

För att stoppa maskinen släpper du avtryckaren.

► Fig.5: 1. Säkerhetsspärr 2. Säkerhetsgrepp

Ratt för hastighetsinställning

Maskinens rotationshastighet kan ändras genom att vrida på ratten för hastighetsinställning. Tabellen nedan visar rattens nummer och motsvarande hastighet.

► Fig.6: 1. Ratt för hastighetsinställning

Nummer	Hastighet
1	3 000 min ⁻¹
2	4 500 min ⁻¹
3	6 000 min ⁻¹
4	7 500 min ⁻¹
5	8 500 min ⁻¹

OBSERVERA: Om maskinen används oavbrutet på låg hastighet under lång tid överbelastas motorn, vilket leder till funktionsfel på maskinen.

OBSERVERA: Vid byte på hastighetsratten från "5" till "1", vrid rattens moturs. Vrid inte rattens medurs med våld.

Funktion för automatisk ändring av hastighet

► Fig.7: 1. Lägesindikator

Lägesindikatorstatus	Driftläge
	Höghastighetsläge
	Läge för högt vridmoment

Maskinen har ett höghastighetsläge och ett läge för högt vridmoment. Den ändrar automatiskt driftläge beroende på arbetsbelastningen. När lägesindikatorn tänds under drift är maskinen i läget för högt vridmoment.

Funktion för att förhindra oavsiktlig omstart

Verktyget startar inte även om batterikassetten installeras samtidigt som avtryckaren trycks in.

Starta verktyget genom att först frigöra avtryckaren. Dra sedan ut säkerhetsspärren och tryck in avtryckaren.

Funktion för elektronisk vridmomentskontroll

Maskinen identifierar situationer på elektronisk väg där hjul eller tillbehör riskerar att fastna. I en sådan situation stängs maskinen automatiskt av för att förhindra att spindelröter ytterligare (emellertid förhindras inte bakåtkast).

För att starta om maskinen stänger du först av den, avlägsnar orsaken till den plötsliga minskningen av rotationshastigheten, och slår sedan på maskinen igen.

Mjukstartfunktion

Mjukstartfunktionen dämpar startchocken.

Elektronisk broms

Den elektroniska bromsen aktiveras när maskinen stängs av. Bromsen fungerar inte när strömtillförseln stängs av (t.ex. om batteriet tas ur) med avtryckaren aktiverad.

MONTERING

⚠ FÖRSIKTIGT: Se alltid till att maskinen är avstängd och batterikassetten borttagen innan du justerar maskinen eller kontrollerar dess funktioner.

Montera sidohandtaget

⚠ FÖRSIKTIGT: Kontrollera alltid att sidohandtaget sitter fast ordentligt innan arbetet påbörjas.

Skruva fast sidohandtaget ordentligt på rätt plats på maskinen enligt figuren.

► Fig.8

Montering eller demontering av sprängskydd (för rondell med försänkt navrondell, lamellslipskiva, flexibel rondell, skivstålborste/kapskiva, diamantskiva)

⚠ VARNING: När en sliprondell med försänkt nav, lamellslipskiva, flexibel rondell eller skivstålborste används måste sprängskyddet monteras på maskinen så att den slutna sidan alltid är vänd mot användaren.

⚠ VARNING: Vid användning av en kap-/diamantskiva ska du vara noga med att endast använda det speciella sprängskydd som är avsett för användning tillsammans med kapskivor.

(I vissa europeiska länder kan det vanliga sprängskyddet användas tillsammans med diamantskivan. Följ föreskrifterna i ditt land.)

För maskin med sprängskydd och låsskruv

Montera sprängskyddet så att de utskjutande delarna på sprängskyddets band passar in i uttagen på lagerhuset. Vrid sedan sprängskyddet så att det skyddar användaren i arbetet med maskinen. Dra åt skruven ordentligt.

Gör på omvänt sätt för att ta bort sprängskyddet.

► Fig.9: 1. Sprängskydd 2. Lagerhus 3. Skruv

För maskin med sprängskydd och klämspark

Ta bort skruven och dra sedan spaken i pilens riktning. Montera sprängskyddet så att de utskjutande delarna på sprängskyddets band passar in i uttagen på lagerhuset. Vrid sedan sprängskyddet så att det skyddar användaren i arbetet med maskinen.

► Fig.10: 1. Sprängskydd 2. Lagerhus 3. Skruv 4. Spärr

Dra spaken i pilens riktning. Fäst sedan sprängskyddet genom att dra åt skruven. Dra åt skruven ordentligt. Sprängskyddets inställningsvinkel kan justeras med reglaget.

► Fig.11: 1. Skruv 2. Spärr

Gör på omvänt sätt för att ta bort sprängskyddet.

Montera eller ta bort sliprondell med försänkt nav eller lamellslipskiva

Valfria tillbehör

⚠ VARNING: När en sliprondell med försänkt nav eller lamellslipskiva används, måste sprängskyddet monteras på maskinen så att den slutna sidan alltid är vänd mot användaren.

⚠ FÖRSIKTIGT: Se till att den monterade delen av den inre flänsen passar perfekt in i den inre diametern av den försänkta navrondellen/lamellskivan. Montering av den inre flänsen på fel sida kan leda till farliga vibrationer.

Montera den inre flänsen på spindel. Se till att den buktade delen av den inre flänsen monteras på den raka delen längst ned på spindeln. Passa in den försänkta navrondellen/lamellskivan på den inre flänsen och skruva på låsmuttern på spindel.

► Fig.12: 1. Låsmutter 2. Försänkt navrondell 3. Inre fläns 4. Monteringsdel

Tryck in spindelåset ordentligt för att dra fast låsmuttern så att spindeln inte kan rotera. Använd sedan tappnyckeln för att dra åt ytterligare.

► Fig.13: 1. Tappnyckel för låsmutter 2. Spindelås

Gör på omvänt sätt för att ta bort rondellen.

Montera eller ta bort flexibel rondell

Valfria tillbehör

⚠ VARNING: Använd alltid det medföljande skyddet när en flexibel rondell är monterad på maskinen. Skivan kan splittras under användningen och skyddet minskar risken för personskador.

► Fig.14: 1. Låsmutter 2. Flexibel rondell 3. Stödplatta 4. Inre fläns

Följ anvisningarna för försänkt navrondell, men använd även en stödplatta över skivan. Se monteringssekvensen på tillbehörssidan i denna bruksanvisning.

Montera eller ta bort sliprondell

Valfria tillbehör

OBS: Använd endast slipningstillbehör som specificeras i denna bruksanvisning. Dessa måste köpas separat.

För modell med 100 mm

► **Fig.15:** 1. Låsmutter för slipning 2. Sliprondell
3. Gummidyndyna 4. Inre fläns

1. Montera den inre flänsen på spindeln.
2. Fäst gummidyndynan på spindeln.
3. Passa in rondellen över gummidyndynan och skruva fast låsmuttern för slipning på spindeln.
4. Håll i spindeln med spindellåset och dra åt låsmuttern för slipning ordentligt med tappnyckeln.

Följ monteringsanvisningarna i omvänd ordning för att ta bort rondellen.

För modell med 115 mm/125 mm

► **Fig.16:** 1. Låsmutter för slipning 2. Sliprondell
3. Gummidyndyna

1. Fäst gummidyndynan på spindeln.
2. Passa in rondellen över gummidyndynan och skruva fast låsmuttern för slipning på spindeln.
3. Håll i spindeln med spindellåset och dra åt låsmuttern för slipning ordentligt med tappnyckeln.

Följ monteringsanvisningarna i omvänd ordning för att ta bort rondellen.

Ansluta en dammsugare

Valfria tillbehör

⚠VARNING: Dammsug aldrig metallpartiklar från slipning/kapning. Metallpartiklar från dylik bearbetning är så varma att de kan antända filtret inne i dammsugaren.

Använd ett sprängskydd med dammuppsamlare och en dammsugare för att undvika dammiga miljöer orsakade av sågning i trä.

Se bruksanvisningen som är fäst på sprängskyddets dammuppsamlare för montering och användning.

► **Fig.17:** 1. Dammuppsamlande sprängskydd
2. Slang på dammsugare

ANVÄNDNING

⚠VARNING: Tänk på att aldrig tvinga maskinen. Maskinens vikt ska utgöra ett tillräckligt tryck. Tvång eller överdrivet tryck kan resultera i farliga rondellbrott.

⚠VARNING: Byt ALLTID ut rondellen om den har tappats under slipning.

⚠VARNING: Slå ALDRIG med rondellen eller skivan på arbetsstycket.

⚠VARNING: Undvik att studsas eller hackas med rondeller, i synnerhet i närheten av hörn, skarpa kanter osv. Det är lätt att i dessa situationer förlora kontrollen över maskinen så att den kastas bakåt.

⚠VARNING: Använd ALDRIG maskinen med sågklingor avsedda för trä eller andra sågblad. Att använda sådana klingor i slipmaskiner innebär stor risk för bakåtkast som kan förorsaka personskador.

⚠FÖRSIKTIGT: Starta aldrig maskinen när denna är i kontakt med arbetsstycket. Det kan orsaka personskador.

⚠FÖRSIKTIGT: Använd alltid skyddsglasögon eller visir under arbetet.

⚠FÖRSIKTIGT: När du är klar med arbetet ska du vänta tills rondellen stannat helt innan du lägger maskinen åt sidan.

⚠FÖRSIKTIGT: Håll ALLTID maskinen i ett fast grepp med ena handen på huset och den andra på sidohandtaget.

Slipning av trä och metall

► **Fig.18**

Starta maskinen och för rondellen eller skivan mot arbetsstycket.

I allmänhet är det lämpligt att hålla kanten på skivan/rondellen i ungefär 15° vinkel mot arbetsstycket.

Under inkörning av en ny skiva/rondell ska slipmaskinen inte föras i en framåtriktning eftersom den då kan köra fast i arbetsstycket. När kanten på skivan/rondellen har rundats av kan den användas i båda riktningarna (framåt och bakåt).

Användning av kap-/diamantskiva

Valfria tillbehör

⚠ VARNING: Vid användning av en kap-/diamantskiva ska du vara noga med att endast använda det speciella sprängskydd som är avsett för användning tillsammans med kapskivor.

(I vissa europeiska länder kan det vanliga sprängskyddet användas tillsammans med diamantskivan. Följ föreskrifterna i ditt land.)

⚠ VARNING: Använd **ALDRIG** kapskivor för sidoslipning.

⚠ VARNING: "Pressa" inte skivan eller utsätt den för överdrivet tryck. Försök inte att göra ett alltför stort kapdjup. Överbelastning av skivan ökar trycket och risken för att skivan vrids eller fastnar i skäret vilket kan orsaka bakåtkast, sprucken skiva och överhettad motor.

⚠ VARNING: Starta inte skärningen med maskinen i arbetsstycket. Låt skivan komma upp i full hastighet och för den försiktigt in i skäret genom att föra maskinen framåt över arbetsstyckets yta. Kapskivan kan fastna, vandra uppåt eller kastas bakåt om elverktyget startas om i arbetsstycket.

⚠ VARNING: Under skärningen får skivans vinkel aldrig ändras. Sidotryck på kapskivan (som vid slipning) medför att skivan spricker och sprängs, vilket kan leda till svåra personskador.

⚠ VARNING: En diamantskiva ska arbetas vinkelrätt mot det material som ska kapas.

► Fig.19: 1. Låsmutter 2. Kap-/diamantskiva 3. Inre fläns 4. Sprängskydd för kap-/diamantskiva

Följ anvisningarna för den försänkta navrondellen för monterning.

Riktningen för att montera låsmuttern och den inre flänsen varierar beroende på skivans typ och tjocklek.

Se följande figurer.

För modell med 100 mm

När du monterar kapskivan:

► Fig.20: 1. Låsmutter 2. Kapskiva (tunnare än 4 mm) 3. Kapskiva (4 mm eller tjockare) 4. Inre fläns

När du monterar diamantskivan:

► Fig.21: 1. Låsmutter 2. Diamantskiva (tunnare än 4 mm) 3. Diamantskiva (4 mm eller tjockare) 4. Inre fläns

För modell med 115 mm/125 mm

När du monterar kapskivan:

► Fig.22: 1. Låsmutter 2. Kapskiva (tunnare än 4 mm) 3. Kapskiva (4 mm eller tjockare) 4. Inre fläns

När du monterar diamantskivan:

► Fig.23: 1. Låsmutter 2. Diamantskiva (tunnare än 4 mm) 3. Diamantskiva (4 mm eller tjockare) 4. Inre fläns

Användning av den skålformade stålborsten

Valfria tillbehör

⚠ FÖRSIKTIGT: Kontrollera hur borsten fungerar genom att köra maskinen utan belastning och försäkra dig om att ingen finns framför eller i linje med borsten.

⚠ FÖRSIKTIGT: Använd inte en borste som är skadad eller obalanserad. Användning av en skadad borste kan öka risken för skador på grund av kontakt med trasiga borstrådar.

► Fig.24: 1. Skålformad stålborste

Ta ut batterikassetten ur verktyget och ställ det upp och ned för att underlätta att komma åt spindeln.

Ta bort eventuella tillbehör på spindeln. Trä den skålformade stålborsten på spindeln och dra åt med medföljande nyckel.

⚠ OBSERVERA: Undvik att använda för mycket tryck vilket gör att trådarna böjs för mycket vid användning av borsten. Det kan leda till att borsten förbrukas i förtid.

Användning av skivstålborsten

Valfria tillbehör

⚠ FÖRSIKTIGT: Kontrollera hur skivstålborsten fungerar genom att köra maskinen utan belastning och försäkra dig om att ingen finns framför eller i linje med skivstålborsten.

⚠ FÖRSIKTIGT: Använd inte en skivstålborste som är skadad eller obalanserad. Användning av en skadad skivstålborste kan öka risken för skador på grund av kontakt med trasiga borstrådar.

⚠ FÖRSIKTIGT: Använd ALLTID skydd tillsammans med skivstålborstar och kontrollera att skivdiametern passar innanför skyddet. Skivan kan splittras under användningen och skyddet minskar risken för personskador.

► Fig.25: 1. Skivstålborste

Ta ut batterikassetten ur verktyget och ställ det upp och ned för att underlätta att komma åt spindeln.

Ta bort eventuella tillbehör på spindeln. Montera skivstålborsten på spindeln och dra åt med nycklarna.

⚠ OBSERVERA: Undvik att använda för mycket tryck vilket gör att trådarna böjs för mycket vid användning av skivstålborsten. Det kan leda till att borsten förbrukas i förtid.

FUNKTION FÖR TRÅDLÖS AKTIVERING

Endast för DGA418/DGA468/DGA518

Vad du kan göra med funktionen för trådlös aktivering

Funktionen för trådlös aktivering möjliggör en ren och bekväm körning. Genom att ansluta en dammsugare som stöds till verktyget, kan du göra så att dammsugaren automatiskt körs samtidigt som du använder verktygets knappfunktion.

► Fig.26

Gör i ordning följande artiklar för att använda funktionen för trådlös aktivering:

- En trådlös enhet
- En dammsugare som har stöd för funktionen för trådlös aktivering

Översikten över inställningen av funktionen för trådlös aktivering är följande. Se detaljerade rutiner i varje avsnitt.

1. Installera den trådlösa enheten
2. Verktygsregistrering för dammsugaren
3. Starta funktionen för trådlös aktivering

Installera den trådlösa enheten

⚠ FÖRSIKTIGT: Placera verktyget på en platt och stabil yta när den trådlösa enheten installeras.

OBSERVERA: Rensa bort damm och smuts från verktyget innan den trådlösa enheten installeras. Damm eller smuts kan orsaka funktionsfel om det kommer in i skåran på den trådlösa enheten.

OBSERVERA: För att förebygga funktionsfel till följd av statisk laddning vidrör du ett statiskt urladdande material, t.ex. en metalldel på verktyget, innan du plockar upp den trådlösa enheten.

OBSERVERA: Se alltid till när du installerar den trådlösa enheten att den är insatt i rätt riktning och att locket är helt stängt.

1. Öppna locket på verktyget enligt figuren.

► Fig.27: 1. Lucka

2. Sätt in den trådlösa enheten i skåran och stäng sedan locket.

När du sätter in den trådlösa enheten, passa då in de utskjutande delarna med de insänkta delarna i skåran.

- Fig.28: 1. Trådlös enhet 2. Utskjutande del 3. Lucka 4. Insänkt del

Öppna locket långsamt när du tar bort den trådlösa enheten. Krokarna på lockets baksida lyfter den trådlösa enheten när du drar upp locket.

- Fig.29: 1. Trådlös enhet 2. Krok 3. Lucka

När den trådlösa enheten tagits bort, ha den då i det tillhörande fodralet eller en behållare med skydd mot statisk laddning.

OBSERVERA: Använd alltid krokarna på lockets baksida när du tar bort den trådlösa enheten. Om krokarna inte fångar upp den trådlösa enheten, stänger du locket helt och öppnar det långsamt igen.

Verktygsregistrering för dammsugaren

OBS: För verktygsregistreringen krävs en Makita-dammsugare som har stöd för den trådlösa aktiveringsfunktionen.

OBS: Avsluta installationen av den trådlösa enheten till verktyget innan du inleder verktygsregistreringen.

OBS: Använd inte avtryckaren under verktygsregistreringen och vrid inte på strömbrytaren på dammsugaren.

OBS: Se också bruksanvisningen för dammsugaren.

Om du vill aktivera dammsugaren tillsammans med verktygets knappfunktion, ska du slutföra verktygsregistreringen i förväg.

1. Installera batterierna till dammsugaren och verktyget.

2. Sätt dammsugarens stand-by-omkopplare på "AUTO".

► Fig.30: 1. Stand-by-omkopplare

3. Tryck på knappen för trådlös aktivering på dammsugaren i 3 sekunder tills lampan för trådlös aktivering blinkar grönt. Tryck sedan på knappen för trådlös aktivering på verktyget på samma sätt.

► Fig.31: 1. Knapp för trådlös aktivering 2. Lampan för trådlös aktivering

Om dammsugaren och verktyget har kopplats ihop ordentligt, kommer lamporna för trådlös aktivering att lysa grönt i 2 sekunder och börja blinka i blått.

OBS: Lamporna för trådlös aktivering slutar blinka grönt efter att 20 sekunder har gått. Tryck på knappen för trådlös aktivering på maskinen när lampan för trådlös aktivering på dammsugaren blinkar. Om lampan för trådlös aktivering inte blinkar grönt, trycker du kort på knappen för trådlös aktivering och håller in den igen.

OBS: När du utför två eller flera verktygsregistreringar för en dammsugare avslutar du verktygsregistreringarna en och en.

Starta funktionen för trådlös aktivering

OBS: Avsluta verktygsregistreringen för dammsugaren före den trådlösa aktiveringen.

OBS: Se också bruksanvisningen för dammsugaren.

Efter att ett verktyg registrerats till dammsugaren kommer den att köras automatiskt tillsammans med verktygets knappfunktion.

1. Installera den trådlösa enheten till verktyget.

2. Anslut dammsugarsslangen till verktyget.

► Fig.32

3. Sätt dammsugarens stand-by-omkopplare på "AUTO".

► Fig.33: 1. Stand-by-omkopplare

4. Tryck kort på knappen för trådlös aktivering på verktyget. Lampan för trådlös aktivering blinkar blått.

► **Fig.34:** 1. Knapp för trådlös aktivering 2. Lampa för trådlös aktivering

5. Tryck på verktygets avtryckare. Kontrollera om dammsugaren är igång medan avtryckaren är intryckt.

För att stoppa den trådlösa aktiveringen av dammsugaren trycker du på knappen för trådlös aktivering på verktyget.

OBS: Lampan för trådlös aktivering på verktyget slutar blinka blått när ingen användning har skett på 2 timmar. Sätt i så fall standby-omkopplaren på dammsugaren på "AUTO" och tryck igen på knappen för trådlös aktivering på verktyget.

OBS: Dammsugaren startar/stannar med en fördröjning. Det blir en tidsfördröjning när dammsugaren känner av en knappfunktion från verktyget.

OBS: Sändningsavståndet till den trådlösa enheten kan variera beroende på plats och omständigheter i omgivningen.

OBS: När två eller flera verktyg är registrerade till en dammsugare, kan dammsugaren gå igång även om du inte trycker på avtryckaren eftersom en annan användare använder funktionen för trådlös aktivering.

Beskrivning av status för lampan för trådlös aktivering

► **Fig.35:** 1. Lampa för trådlös aktivering

Lampans för trådlös aktivering visar status för den trådlösa aktiveringsfunktionen. Se innebörden av lampans status i tabellen nedan.

Status	Lampa för trådlös aktivering				Beskrivning
	Färg	<input type="checkbox"/> På	<input type="checkbox"/> Blinkar	Varaktighetstid	
Standby	Blå	<input checked="" type="checkbox"/>		2 timmar	Den trådlösa aktiveringen av dammsugaren är tillgänglig. Lampan släcks automatiskt när ingen användning har ägt rum på 2 timmar.
		<input type="checkbox"/>		När verktyget är igång.	Den trådlösa aktiveringen av dammsugaren är tillgänglig och verktyget är igång.
Verktysregistrering	Grön	<input checked="" type="checkbox"/>		20 sekunder	Redo för verktysregistrering. Väntar på registrering från dammsugaren.
		<input type="checkbox"/>		2 sekunder	Verktysregistreringen har avslutats. Lampan för trådlös aktivering börjar blinka blått.
Upphäver verktysregistrering	Röd	<input checked="" type="checkbox"/>		20 sekunder	Redo för att upphäva verktysregistreringen. Väntar på upphävande från dammsugaren.
		<input type="checkbox"/>		2 sekunder	Upphävandet av verktysregistreringen har avslutats. Lampan för trådlös aktivering börjar blinka blått.
Övriga	Röd	<input type="checkbox"/>		3 sekunder	Ström tillförs till den trådlösa enheten och funktionen för trådlös aktivering startar.
	Av	-		-	Den trådlösa aktiveringen av dammsugaren stoppas.

Upphäver verktysregistrering för dammsugaren

Utför följande rutin vid upphävande av verktysregistreringen för dammsugaren.

1. Installera batterierna till dammsugaren och verktyget.
2. Sätt dammsugarens stand-by-omkopplare på "AUTO".

► **Fig.36:** 1. Stand-by-omkopplare

3. Tryck på knappen för trådlös aktivering på dammsugaren i 6 sekunder. Lampan för trådlös aktivering blinkar grönt och blir sedan röd. Tryck sedan på knappen för trådlös aktivering på verktyget på samma sätt.

► **Fig.37:** 1. Knapp för trådlös aktivering 2. Lampa för trådlös aktivering

Om upphävandet har utförts ordentligt, kommer lamporna för trådlös aktivering att lysa rött i 2 sekunder och börja blinka i blått.

OBS: Lamporna för trådlös aktivering slutar blinka rött efter att 20 sekunder har gått. Tryck på knappen för trådlös aktivering på maskinen när lampan för trådlös aktivering på dammsugaren blinkar. Om lampan för trådlös aktivering inte blinkar rött, trycker du kort på knappen för trådlös aktivering och håller in den igen.

Felsökning för funktionen för trådlös aktivering

Innan du ber om reparation ska du först utföra en egen kontroll. Om du hittar ett problem som inte finns förklarat i bruksanvisningen ska du inte försöka att ta isär maskinen. Fråga istället ett auktoriserad servicecenter för Makita, och använd alltid reservdelar från Makita för reparationer.

Feltillstånd	Trolig orsak (felfunktion)	Åtgärd
Lampan för trådlös aktivering lyser/ blinkar inte.	Den trådlösa enheten är inte installerad till verktyget. Den trådlösa enheten är felaktigt installerad till verktyget.	Installera den trådlösa enheten korrekt.
	Den trådlösa enhetens kontakt och/eller skåran är smutsig.	Torka försiktigt av damm och smuts på den trådlösa enhetens kontakt och rengör skåran.
	Knappen för trådlös aktivering på verktyget har inte tryckts.	Tryck kort på knappen för trådlös aktivering på verktyget.
	Stand-by-omkopplaren på dammsugaren är inte satt på "AUTO".	Sätt dammsugarens stand-by-omkopplare på "AUTO".
	Ingen strömtillförsel	Koppla in ström till verktyget och dammsugaren.
Kan inte avsluta verktygsregistrering/ upphäva verktygsregistrering.	Den trådlösa enheten är inte installerad till verktyget. Den trådlösa enheten är felaktigt installerad till verktyget.	Installera den trådlösa enheten korrekt.
	Den trådlösa enhetens kontakt och/eller skåran är smutsig.	Torka försiktigt av damm och smuts på den trådlösa enhetens kontakt och rengör skåran.
	Stand-by-omkopplaren på dammsugaren är inte satt på "AUTO".	Sätt dammsugarens stand-by-omkopplare på "AUTO".
	Ingen strömtillförsel	Koppla in ström till verktyget och dammsugaren.
	Felaktig funktion	Tryck kort på knappen för trådlös aktivering och utför rutinerna för verktygsregistrering/-upphävande igen.
	Verktyget och dammsugaren är åtskilda från varandra (utanför sändningsområdet).	Se till att verktyget och dammsugaren hamnar närmare varandra. Det maximala sändningsavståndet är ca 10 m, men det kan variera beroende på omständigheterna.
	Innan verktygsregistreringen/-upphävandet avslutas: - tryck på avtryckaren på verktyget, - sätt på strömknappen på dammsugaren.	Tryck kort på knappen för trådlös aktivering och utför rutinerna för verktygsregistrering/-upphävande igen.
	Verktygsregistreringsrutinerna för verktyget eller dammsugaren har inte slutförts.	Utför verktygsregistreringsrutinerna för både verktyget och dammsugaren på samma gång.
Radiostörningar från andra apparater som skapar högintensiva radiovågor.	Håll verktyget och dammsugaren borta från apparater som WiFi-enheter och mikrovågsugnar.	

Feltillstånd	Trolig orsak (felsfunktion)	Åtgärd
Damsugaren är inte igång samtidigt som verktygets knappfunktion.	Den trådlösa enheten är inte installerad till verktyget. Den trådlösa enheten är felaktigt installerad till verktyget.	Installera den trådlösa enheten korrekt.
	Den trådlösa enhetens kontakt och/eller skåran är smutsig.	Torka försiktigt av damm och smuts på den trådlösa enhetens kontakt och rengör skåran.
	Knappen för trådlös aktivering på verktyget har inte tryckts.	Tryck kort på knappen för trådlös aktivering och försäkra dig om att lampan för trådlös aktivering blinkar blått.
	Stand-by-omkopplaren på dammsugaren är inte satt på "AUTO".	Sätt dammsugarens stand-by-omkopplare på "AUTO".
	Fler än 10 verktyg är registrerade till dammsugaren.	Utför verktygsregistreringen igen. Om fler än 10 verktyg är registrerade till dammsugaren, blir det verktyg som registrerades tidigast automatiskt upphävt.
	Damsugaren har raderat alla verktygsregistreringar.	Utför verktygsregistreringen igen.
	Ingen strömtillförsel	Koppla in ström till verktyget och dammsugaren.
	Verktyget och dammsugaren är åtskilda från varandra (utanför sändningsområdet).	Se till att verktyget och dammsugaren hamnar närmare varandra. Det maximala sändningsavståndet är ca 10 m, men det kan variera beroende på omständigheterna.
	Radiostörningar från andra apparater som skapar högintensiva radiovågor.	Håll verktyget och dammsugaren borta från apparater som WiFi-enheter och mikrovågsugnar.
Damsugaren är igång fastän verktygets avtryckare inte är intryckt.	Andra användare använder den trådlösa aktiveringen av dammsugaren med sina verktyg.	Stäng av de andra verktygens knappar för trådlös aktivering eller upphäv verktygsregistreringen för de andra verktygen.

UNDERHÅLL

⚠ FÖRSIKTIGT: Se alltid till att maskinen är avstängd och batterikassetten borttagen innan inspektion eller underhåll utförs.

OBSERVERA: Använd inte bensin, förtunningsmedel, alkohol eller liknande. Missfärgning, deformation eller sprickor kan uppstå.

Rengöring av ventilationsöppningar

Håll maskinen och luftventilerna rena. Rengör maskinens ventiler regelbundet eller så snart ventilationen försämras.

► **Fig.38:** 1. Utblås 2. Inlopp

Ta bort dammskyddet från ventilationsinloppet och rengör det för jämn luftcirkulation.

► **Fig.39:** 1. Dammkåpa

OBSERVERA: Rengör dammskyddet när det är igensatt med damm eller främmande material. Om du fortsätter att använda maskinen med ett igensatt dammskydd kan den skadas.

VALFRIA TILLBEHÖR

⚠ FÖRSIKTIGT: Följande tillbehör eller tillsatser rekommenderas för användning med den Makita-maskin som denna bruksanvisning avser. Om andra tillbehör eller tillsatser används kan det uppstå risk för personsador. Använd endast tillbehören eller tillsatserna för de syften de är avsedda för.

Kontakta ditt lokala Makita servicecenter om du behöver ytterligare information om dessa tillbehör.

- Makitas originalbatteri och -laddare
- Trådlös enhet (för modeller med trådlös aktiveringsfunktion)

► **Fig.40**

-	Modell med 100 mm	Modell med 115 mm	Modell med 125 mm
1	Grepp 36		
2	Sprängskydd (för slipskiva)		
3	Inre fläns		
4	Försänkt navrondell/lamellskiva		
5	Låsmutter		
6	Stödplatta		
7	Flexibel rondell		
8	Inre fläns och gummiplatta 76	Gummiplatta 100	Gummiplatta 115
9	Sliprondell		
10	Låsmutter för slipning		
11	Skivstålborste		
12	Skålformad stålborste		
13	Sprängskydd (för kapskiva) *1		
14	Kap-/diamantskiva		
15	Dammuppsamlande sprängskydd		
-	Tappnyckel för låsmutter		

OBS: *1 I vissa europeiska länder kan det vanliga sprängskyddet användas tillsammans med diamantskivan istället för det speciella sprängskyddet som täcker båda sidorna av skivan. Följ föreskrifterna i ditt land.

OBS: Några av tillbehören i listan kan vara inkluderade i maskinpaketet som standardtillbehör. De kan variera mellan olika länder.

TEKNISKE DATA

Modell:	DGA417	DGA418
Hjuldiameter	100 mm (4")	
Maks. hjultrykkelse	6,4 mm	
Spindelgjenger	M10	
Angitt hastighet (n)	8 500 min ⁻¹	
Total lengde	382 mm	
Nominell spenning	DC 18 V	
Nettvekt	2,2 - 2,9 kg	
Elektrisk brems	✓	
Trådløs aktiveringsfunksjon	-	✓

Modell:	DGA467	DGA468
Hjuldiameter	115 mm (4-1/2")	
Maks. hjultrykkelse	7,2 mm	
Spindelgjenger	M14 eller 5/8" (landspesifikk)	
Angitt hastighet (n)	8 500 min ⁻¹	
Total lengde	382 mm	
Nominell spenning	DC 18 V	
Nettvekt	2,4 - 3,1 kg	
Elektrisk brems	✓	
Trådløs aktiveringsfunksjon	-	✓

Modell:	DGA517	DGA518
Hjuldiameter	125 mm (5")	
Maks. hjultrykkelse	7,2 mm	
Spindelgjenger	M14 eller 5/8" (landspesifikk)	
Angitt hastighet (n)	8 500 min ⁻¹	
Total lengde	382 mm	
Nominell spenning	DC 18 V	
Nettvekt	2,4 - 3,1 kg	
Elektrisk brems	✓	
Trådløs aktiveringsfunksjon	-	✓

- På grunn av vårt kontinuerlige forsknings- og utviklingsprogram kan spesifikasjonene som oppgis i dette dokumentet endres uten varsel.
- Spesifikasjonene kan variere fra land til land.
- Vekten kan variere avhengig av tilbehøret/tilbehørene, inkludert batteriet. Den letteste og tyngste kombinasjonen, i henhold til EPTA-prosedyre 01/2014, vises i tabellen.

Standard batteri

BL1815N / BL1820 / BL1820B / BL1830 / BL1830B / BL1840 / BL1840B / BL1850 / BL1850B / BL1860B

- Noen av batteriene som er opplistet ovenfor er kanskje ikke tilgjengelige, avhengig av hvor du bor.

⚠ ADVARSEL: Bruk kun de batteriene som er opplistet ovenfor. Bruk av andre batterier kan føre til personskader og/eller brann.

Riktig bruk

Maskinen er beregnet på sliping, pussing og kutting av metall og steinmaterialer uten bruk av vann.

Støy

Typisk A-vektet lydtrykknivå er bestemt i henhold til EN60745:

Modell	Lydtrykknivå (L_{pA}): (dB(A))	Lydeffektnivå (L_{WA}): (dB(A))	Usikkerhet (K): (dB(A))
DGA417	80	-	3
DGA418	80	-	3
DGA467	80	-	3
DGA468	80	-	3
DGA517	79	-	3
DGA518	79	-	3

Støynivået under arbeid kan overskride 80 dB (A).

⚠ ADVARSEL: Bruk hørselsvern.

Vibrasjoner

Den totale vibrasjonsverdien (triaksial vektorsum) bestemt i henhold EN60745:

Arbeidsmåte: Overflatesliping med normalt støttehåndtak

Modell	Generert vibrasjon ($a_{h, AG}$): (m/s^2)	Usikkerhet (K): (m/s^2)
DGA417	4,5	1,5
DGA418	4,5	1,5
DGA467	5,5	1,5
DGA468	5,5	1,5
DGA517	6,0	1,5
DGA518	6,0	1,5

Arbeidsmåte: Overflatesliping med vibrasjonssikkert støttehåndtak

Modell	Generert vibrasjon ($a_{h, AG}$): (m/s^2)	Usikkerhet (K): (m/s^2)
DGA417	4,5	1,5
DGA418	4,5	1,5
DGA467	5,0	1,5
DGA468	5,0	1,5
DGA517	5,5	1,5
DGA518	5,5	1,5

Arbeidsmåte: Plansliping med normalt støttehåndtak

Modell	Generert vibrasjon ($a_{h, DS}$): (m/s^2)	Usikkerhet (K): (m/s^2)
DGA417	2,5 m/s^2 eller mindre	1,5
DGA418	2,5 m/s^2 eller mindre	1,5
DGA467	2,5 m/s^2 eller mindre	1,5
DGA468	2,5 m/s^2 eller mindre	1,5
DGA517	2,5 m/s^2 eller mindre	1,5
DGA518	2,5 m/s^2 eller mindre	1,5

Arbeidsmåte: Plansliping med vibrasjonssikkert støtthåndtak

Modell	Generert vibrasjon ($a_{h, ds}$) : (m/s^2)	Usikkerhet (K): (m/s^2)
DGA417	2,5 m/s^2 eller mindre	1,5
DGA418	2,5 m/s^2 eller mindre	1,5
DGA467	2,5 m/s^2 eller mindre	1,5
DGA468	2,5 m/s^2 eller mindre	1,5
DGA517	2,5 m/s^2 eller mindre	1,5
DGA518	2,5 m/s^2 eller mindre	1,5

MERK: Den angitte verdien for de genererte vibrasjonene er målt i samsvar med standardtestmetoden og kan brukes til å sammenlikne et verktøy med et annet.

MERK: Den angitte verdien for de genererte vibrasjonene kan også brukes til en foreløpig vurdering av eksponeringen.

⚠ ADVARSEL: De genererte vibrasjonene ved faktisk bruk av elektroverktøyet kan avvike fra den angitte vibrasjonsverdien, avhengig av hvordan verktøyet brukes.

⚠ ADVARSEL: Sørg for å identifisere vernetiltak for å beskytte operatøren, som er basert på et estimat av eksponeringen under de faktiske bruksforholdene (idet det tas hensyn til alle deler av driftsytklusen, dvs. hvor lenge verktøyet er slått av, hvor lenge det går på tomgang og hvor lenge startbryteren faktisk holdes trykket).

⚠ ADVARSEL: Den oppgitte verdien for genererte vibrasjoner brukes for hovedbruksområdene for elektroverktøyet. Hvis verktøyet brukes til andre formål, kan verdien for de genererte vibrasjonene være en annen.

EFs samsvarserklæring

Gjelder kun for land i Europa

EFs samsvarserklæring er lagt til som vedlegg A i denne bruksanvisningen.

SIKKERHETSADVARSEL

Generelle advarsler angående sikkerhet for elektroverktøy

⚠ ADVARSEL: Les alle sikkerhetsadvarsler, instruksjoner, illustrasjoner og spesifikasjoner som følger med dette elektroverktøyet. Hvis ikke alle instruksjonene nedenfor følges, kan det forekomme elektrisk støt, brann og/eller alvorlig skade.

Oppbevar alle advarsler og instruksjoner for senere bruk.

Uttrykket «elektrisk verktøy» i advarslene refererer både til elektriske verktøy (med ledning) tilkoblet strømmettet, og batteridrevne verktøy (uten ledning).

Sikkerhetsadvarsler for trådløs slipeskive

Vanlige sikkerhetsadvarsler for sliping, pussing, stålborsting og kapping :

1. Dette elektriske verktøyet er beregnet for sliping, pussing, stålborsting og kapping. Les alle sikkerhetsadvarsler, instruksjoner, illustrasjoner og spesifikasjoner som følger med dette elektroverktøyet. Hvis ikke alle instruksjonene nedenfor følges, kan det forekomme elektrisk støt, brann og/eller alvorlig skade.

2. **Polering bør ikke utføres med dette verktøyet.** Bruk av verktøyet til noe annet enn det er beregnet for, kan medføre fare og forårsake personskade.
3. **Ikke bruk tilbehør som ikke er spesielt beregnet og anbefalt av verktøyprodusenten.** Det at tilbehøret kan monteres på verktøyet, betyr ikke at det er trygt å bruke.
4. **Angitt hastighet for tilbehøret må være minst like høy som største angitte hastighet på elektroverktøyet.** Tilbehør som kjøres med større hastighet enn det som er angitt, kan gå i stykker og slynges ut.
5. **Den ytre diameteren og tykkelsen på tilbehøret må ligge innenfor den angitte kapasiteten for elektroverktøyet.** Tilbehør i feil størrelse kan ikke sikres eller kontrolleres fullgodt.
6. **Gjengen montering av tilbehør må samsvare med gjengen på sliperen. For tilbehør montert med flenser, må spindelhullet på tilbehøret passe til med diameteren på flensen.** Tilbehør som ikke passer til monteringsmekanismen på verktøyet vil komme ut av balanse, vibrere sterkt og kan forårsake at du mister kontrollen.
7. **Ikke bruk skadet tilbehør. Før bruk må du undersøke om tilbehør som slipeskiver har hakk eller sprekker, om bakrondeller har sprekker eller er slitt og om stålborster har løse eller ødelagte tråder.** Hvis det elektriske verktøyet eller tilbehøret mistes, må du undersøke om det har oppstått skade og eventuelt skifte det ut med uskadd tilbehør. Når et tilbehør er undersøkt og montert, skal du plassere deg selv og andre utenfor tilbehørets rotasjonsplan og kjøre verktøyet på maksimal hastighet, uten belastning, i ett minutt. Skadd tilbehør vil vanligvis gå i stykker i løpet av en slik test.

8. **Bruk personlig verneutstyr. Avhengig av bruksområdet, må du bruke visir eller vernebriller. Bruk etter behov støvmaske, hørselsvern, hansker og beskyttelsesdekke som kan stoppe små slipepartikler eller fragmenter fra arbeidsstykket.** Øyevernet må kunne stoppe flygende biter som oppstår under ulike operasjoner. Støvmasken eller åndedrettsvernet må kunne filtrere ut partikler som oppstår under arbeidet. Kraftig lyd over lengre tid kan forårsake redusert hørsel.
9. **Hold andre på trygg avstand fra arbeidsområdet. Alle som beveger seg inn i arbeidsområdet må bruke personlig verneutstyr.** Fragmenter fra arbeidsstykket eller fra skadet tilbehør kan slynges ut og forårsake skade utenfor det nære arbeidsområdet.
10. **Hold maskinen kun i det isolerte håndtaket, når skjæverktøyet kan komme i kontakt med skjulte ledninger under arbeidet.** Kontakt med en strømførende ledning kan føre til at metalldelene på det elektriske verktøyet også blir strømførende og kan gi brukeren elektrisk støt.
11. **Ikke legg ned elektroverktøyet før tilbehøret har stoppet helt.** Det roterende tilbehøret kan få feste i overflaten og trekke elektroverktøyet ut av kontroll.
12. **Ikke kjør elektroverktøyet når du bærer det langs siden.** Utsikket kontakt med roterende tilbehør kan føre til at det fester i klærne og trekkes inn mot kroppen.
13. **Rengjør verktøyets luftventiler regelmessig.** Motorens vifte trekker støv inn i verktøyhuset og mye oppsamlet metallstøv kan medføre elektrisk fare.
14. **Ikke bruk elektroverktøyet nær brennbare materialer.** Gnister kan antenne slike materialer.
15. **Ikke bruk tilbehør som krever kjølevæske.** Bruk av vann eller andre kjølevæsker kan føre til elektrisk støt.

Tilbakeslag og relaterte advarsler

Tilbakeslag er en plutselig reaksjon på en klemt eller fastsittende skive, bakrondell, børste eller annet tilbehør. Fastklemming forårsaker plutselig stopp av det roterende tilbehøret, noe som i sin tur gjør at det ukontrollerbare elektroverktøyet kastes i motsatt retning av tilbehørets rotasjonsretning ved fastklemmingspunktet. Hvis for eksempel en slipeskive klemmes eller hektes fast i arbeidsmenet, kan kanten på skiven som er fastklemt, grave seg inn i overflaten på materialet og føre til at skiven graver seg ut eller slås ut. Skiven kan enten sprette mot eller vekk fra operatøren, avhengig av rotasjonsretningen på skiven når den klemmes fast. Slipeskiver kan også knekke under slike forhold. Tilbakeslag er et resultat av at elektroverktøyet misbrukes og/eller brukes på feil måte eller under feil forhold, og kan unngås ved å ta de nødvendige forholdsreglene som beskrives under.

1. **Hold godt fast i verktøyet og plasser kroppen og armen din slik at du kan motstå kreftene i et tilbakeslag. Bruk alltid hjelpehåndtak når det følger med, for å få best mulig kontroll over tilbakeslag eller dreiemomentreaksjonen ved oppstart.** Operatøren kan kontrollere dreiemomentreaksjonen eller tilbakeslagskreftene hvis de riktige forholdsreglene tas.
2. **Legg aldri hånden nær det roterende tilbehøret.** Tilbehøret kan slå tilbake over hånden.

3. **Ikke plasser kroppen i det området elektroverktøyet kan slå tilbake i.** Tilbakeslag gjør at verktøyet slås i motsatt retning av skivens bevegelse når den blir sittende fast.
4. **Vær spesielt forsiktig under arbeid med hjørner, skarpe kanter osv. Unngå å la tilbehøret sprette eller hugge.** Hjørner, skarpe kanter eller støt har en tendens til å klemme fast det roterende tilbehøret og forårsake tap av kontrollen eller tilbakeslag.
5. **Ikke monter et sagkjedeblad for treskjæring eller et tannet sagblad.** Slike blader gir ofte tilbakeslag og mangel på kontroll.

Spesifikke sikkerhetsadvarsler for sliping og kapping :

1. **Bruk bare skiver som er anbefalt for elektroverktøyet.** Skiver som ikke er beregnet for verktøyet, kan ikke sikres godt nok og er utrygge.
2. **Slipeoverflaten til skivene med forsenket nav må monteres under planet til vernet.** En feilmontert skive som stikker gjennom planet for vernet kan ikke tilstrekkelig beskyttes.
3. **Vernet må være ordentlig festet til verktøyet og plasseres slik at det gir størst mulig sikkerhet og slik at minst mulig av skiven vender mot brukeren.** Vernet bidrar til å beskytte brukeren mot brukne skivefragmenter og utsikket kontakt med skiven og mot gnister som kan antenne klær.
4. **Skiver må bare brukes slik det er anbefalt. For eksempel: Ikke slip med siden av en kappeskive.** Kappeskiver for pussing er bare beregnet for periferisk pussing. Sidekrefter mot disse skivene kan knuse dem.
5. **Bruk alltid uskadede skiveflenser med riktig størrelse og form for skiven du har valgt.** Riktige skiveflenser støtter skiven og reduserer muligheten for skivebrudd. Skiveflenser for kappeskiver kan være forskjellige fra skiveflenser for slipeskiver.
6. **Ikke bruk utslitte skiver fra større elektroverktøy.** Skiver fra større elektroverktøy passer ikke for den høyere hastigheten til mindre verktøy og kan sprekke.

Ekstra sikkerhetsadvarsler for kapping :

1. **Ikke «klem fast» den avskårne skiven eller legg sterkt press på den. Ikke forsøk å kutte svært dypt.** For mye press på skiven øker belastningen og sjansen for at skiven vrís eller setter seg fast under kutting, samt at det øker sjansen for tilbakeslag eller at skiven blir ødelagt.
2. **Ikke plasser deg på linje med og bak den roterende skiven.** Når skiven beveger seg bort fra deg ved bruksstedet, kan et mulig tilbakeslag drive den roterende skiven og verktøyet rett mot deg.
3. **Når skiven fastklemmes eller du ønsker å avbryte kappingen, må du slå av verktøyet og holde det i ro til skiven har stoppet helt. Du må aldri forsøke å trekke kutteskiven ut av kuttet mens skiven er i bevegelse. Det kan føre til tilbakeslag.** Undersøk årsaken til at skiven setter seg fast, og rett opp feilen.
4. **Ikke start kappingen på nytt mens skiven står i arbeidsmenet. La skiven få full hastighet og sett den forsiktig i kuttet.** Skiven kan sette seg fast, bli trukket oppover eller gi tilbakeslag hvis det elektriske verktøyet startes på nytt i arbeidsmenet.

5. **Støtt opp plater eller store arbeidsemner for å minimere muligheten for fastklemming eller tilbakeslag.** Store arbeidsemner har en tendens til å synke under sin egen vekt. Det må plasseres støtter under arbeidsemnet nært kuttlinjen og nært kanten på arbeidsemnet på begge sider av skiven.
6. **Vær ekstra forsiktig når du lager «hull» i eksisterende vegger eller andre områder uten innsyn.** Skiven som stikker ut, kan kutte gass- eller vannrør, elektriske ledninger eller objekter som kan forårsake tilbakeslag.
12. **For maskiner som er beregnet på å bli utstyrt med gjengehullsskive, må du forvise deg om at gjengen i hullet er lang nok til å passe til spindelengden.**
13. **Forviss deg om at arbeidsstykket står støtt.**
14. **Ta hensyn til at skiven fortsetter å rotere etter at maskinen er slått av.**
15. **Hvis arbeidsplassen er ekstremt varm og fuktig, eller svært forurenset med elektrisk ledende støv, må du bruke en kortslutningsbryter (30 mA) for å ivareta operatørens sikkerhet.**

Spesielle sikkerhetsadvarsler for pussing:

1. **Ikke bruk alt for stort smergelpapir. Følg produsentens anbefalinger når du velger pussepapir.** Stort papir som stikker utenfor pusseputen, kan forårsake oppriving og føre til slitasje eller tilbakeslag på skiven.

Spesielle sikkerhetsadvarsler for stålborsting:

1. **Vær oppmerksom på at metalltråder kan løse fra børsten også ved vanlig bruk. Ikke overbelast metalltrådene ved å legge ekstra trykk på børsten.** Metalltrådene kan lett trenge gjennom tynne klær og hud.
2. **Hvis det anbefales bruk av vern ved stålborsting, må du all unngå kontakt mellom stålborsteskiven eller børsten og vernet.** Stålskiver eller børster kan utvide seg på grunn av arbeidsbelastningen og sentrifugalkreftene.

Ekstra sikkerhetsadvarsler:

1. **Når du bruker slipeskiver med forsenket navn, må du passe på bare å bruke glassfiberarmerte skiver.**
2. **BRUK ALDRI denne vinkelsliperen med slipeskiver av typen Stone Cup.** Denne vinkelsliperen er ikke konstruert for denne typen hjul, og bruk av et slikt produkt kan resultere i alvorlige helseskader.
3. **Vær forsiktig så du ikke ødelegger spindelen, flensen (særlig monteringsflaten) eller låsemutteren.** Skade på disse delene kan resultere i at skiven brekker.
4. **Forviss deg om at skiven ikke har kontakt med arbeidsstykket før startbryteren er slått på.**
5. **Før du begynner å bruke maskinen på et arbeidsstykke, bør du la den gå en liten stund. Se etter vibrasjoner eller vingling som kan tyde på at skiven er dårlig balansert.**
6. **Bruk den angitte overflaten av skiven til å utføre slipingen.**
7. **Ikke gå fra verktøyet mens det er i gang. Verktøyet må bare brukes mens operatøren holder det i hendene.**
8. **Ikke berør arbeidsstykket umiddelbart etter bruk. Det kan være ekstremt varmt og kan gi deg brannskader.**
9. **Følg produsentens anvisninger for korrekt montering og bruk av skiver. Håndter og oppbevar skivene forsiktig.**
10. **Ikke bruk separate reduksjonsbøssinger eller adaptere for å tilpasse slipeskiver med store hull.**
11. **Bruk bare flenser som er spesifisert for dette verktøyet.**

16. **Ikke bruk maskinen på materialer som inneholder asbest.**
17. **Når du bruker kappeskiven, må du alltid bruke beskyttelseskappen med støvoppsamler, slik lokale bestemmelser krever.**
18. **Kappeskiver må ikke utsettes for trykk fra siden.**
19. **Ikke bruk tekstilhansker når du bruker maskinen.** Fibre fra tekstilhanskene kan komme inn i maskinen noe som kan føre til brudd i maskinen.

TA VARE PÅ DISSE INSTRUKSENE.

⚠ ADVARSEL: IKKE LA hensynet til hva som er ”behagelig” eller det faktum at du kjenner produktet godt (etter mange gangers bruk) gjøre deg mindre oppmerksom på sikkerhetsreglene for bruken av det aktuelle produktet. Ved MISBRUK eller hvis ikke sikkerhetsreglene i denne bruksanvisningen følges, kan det oppstå alvorlig personskade.

Viktige sikkerhetsanvisninger for batteriinnsetning

1. **Før du begynner å bruke batteriet, må du lese alle anvisninger og forsiktighetsregler på (1) batteriladeren, (2) batteriet og (3) det produktet batteriet skal brukes i.**
2. **Ikke ta fra hverandre batteriet.**
3. **Hvis driftstiden er blitt vesentlig kortere, må du omgående slutte å bruke maskinen. Hvis ikke kan resultatet bli overoppheting, mulige forbrenninger eller til og med en eksplosjon.**
4. **Hvis du får elektrolytt i øynene, må du skylle dem med store mengder rennende vann og oppsøke lege med én gang. Denne typen uhell kan føre til varig blindhet.**
5. **Ikke kortslett batteriet:**
 - (1) **De kan være ekstremt varme og du kan brenne deg.**
 - (2) **Ikke lagre batteriet i samme beholder som andre metallgjenstander, som for eksempel spiker, mynter osv.**
 - (3) **Ikke la batteriet komme i kontakt med vann eller regn.**

En kortslutning av batteriet kan føre til et kraftig strømstøt, overoppheting, mulige forbrenninger og til og med til at batteriet går i stykker.
6. **Ikke lagre maskinen og batteriet på steder hvor temperaturen kan komme opp i eller overskride 50 °C.**

7. Ikke sett fyr på batteriet, ikke engang om det er sterkt skadet eller helt utslitt. Batteriet kan eksplodere hvis det begynner å brenne.
8. Vær forsiktig så du ikke mister batteriet eller utsetter det for slag.
9. Ikke bruk batterier som er skadet.
10. Lithium-ion-batteriene som medfølger er gjenstand for krav om spesialavfall. For kommersiell transport, f.eks av tredjeparter eller spedtører, må spesielle krav om pakking og merking følges. Før varen blir sendt, må du forhøre deg med en ekspert på farlig materiale. Ta også hensyn til muligheten for mer detaljerte nasjonale bestemmelser. Bruk teip eller maskeringsteip for å skjule åpne kontakter og pakk inn batteriet på en slik måte at den ikke kan bevege seg rundt i emballasjen.
11. Følg lokale bestemmelser for avhending av batterier.
12. Bruk batteriene kun med produkter spesifisert av Makita. Montere batteriene i produkter som ikke er konforme kan føre til brann, overheting eller elektrolyttlekkasje.

TA VARE PÅ DISSE INSTRUKSENE.

⚠️ FORSIKTIG: Bruk kun originale Makita-batterier. Bruk av batterier som har endret seg, eller som ikke er originale Makita-batterier, kan føre til at batteriet sprekker og forårsaker brann, personskader og andre skader. Det vil også ugyldiggjøre garantien for Makita-verktøyet og -laderen.

Tips for å opprettholde maksimal batterilevetid

1. Lad batteriinnsetsen før den er helt utladet. Stopp alltid driften av verktøyet og lad batteriinnsetsen når du merker at effekten reduseres.
2. Lad aldri en batteriinnsets som er fulladet. Overopplading forkorter batteriets levetid.
3. Lad batteriet i romtemperatur ved 10 °C - 40 °C. Et varmt batteri må kjøles ned før lading.
4. Lad batteriet hvis det ikke har vært brukt på en lang stund (over seks måneder).

Viktige sikkerhetsanvisninger for trådløs enhet

1. Du må ikke demontere eller tukle med den trådløse enheten.
2. Hold den trådløse enheten unna små barn. Hvis enheten ved et uhell svelges, skal lege kontaktes umiddelbart.
3. Den trådløse enheten skal kun brukes med Makita-verktøy.
4. Ikke utsett den trådløse enheten for regn eller fuktighet.
5. Ikke bruk den trådløse enheten på steder den temperaturen overskrider 50 °C.
6. Ikke bruk den trådløse enheten på steder der medisinsk utstyr, som pacemakere, er i nærheten.

7. Ikke bruk den trådløse enheten på steder der automatiserte enheter er i nærheten. Hvis automatiserte enheter tas i bruk, kan det oppstå en funksjonsvikt eller feil.
8. Den trådløse enheten kan skape elektromagnetiske felt (EMF), men de er ikke skadelige for brukeren.
9. Den trådløse enheten er presisjonsinstrument. Vær forsiktig så du ikke mister eller utsetter den trådløse enheten for slag.
10. Unngå å berøre den trådløse enhetens tilkoblingspunkt med ubeskyttede hender eller metallmaterialer.
11. Du må alltid ta batteriet ut av verktøyet når du skal installere den trådløse enheten.
12. Når du skal åpne sporets lokk, må du unngå steder der støv og vann kan trenge inn i sporet. Du må alltid sørge for at sporets innløp er rent.
13. Sett alltid den trådløse enheten inn i riktig retning.
14. Ikke trykk for hardt på trådløseknappen på den trådløse enheten, og trykk heller ikke på knappen med en gjenstand med skarp kant.
15. Du må alltid lukke sporets lokk under bruk.
16. Ikke fjern den trådløse enheten fra sporet mens verktøyet forsynes med strøm. Det kan føre til en funksjonsfeil i den trådløse enheten.
17. Ikke fjern klebmerket på den trådløse enheten.
18. Ikke sett klebmerker på den trådløse enheten.
19. Ikke etterlat den trådløse enheten på et sted der det kan genereres statisk elektrisitet eller elektrisk støv.
20. Ikke etterlat den trådløse enheten på et sted der den kan utsettes for mye varme, som i en bil som er parkert i solen.
21. Ikke etterlat den trådløse enheten på et sted med mye støv eller pulver, eller på et sted der det kan genereres korroderende gass.
22. En plutselig temperaturrendring kan få den trådløse enheten til å dugge. Ikke bruk den trådløse enheten før duggen har tørket helt bort.
23. Når du rengjør den trådløse enheten, tørker du forsiktig av den med en tørr, myk klut. Ikke bruk bensin, tynner, ledende fett eller lignende.
24. Når den trådløse enheten skal lagres, oppbevares den i esken som følger med eller en beholder som ikke er statisk.
25. Ikke sett andre enheter med Makitas trådløse enhet inn i sporet på verktøyet.
26. Ikke bruk verktøyet hvis sporets lokk er skadet. Vann, støv om smuss som trenger inn i sporet kan føre til funksjonsfeil.
27. Ikke dra i og/eller vri sporets lokk mer enn nødvendig. Sett lokket tilbake på plass hvis det løsner fra verktøyet.
28. Erstatt sporets lokk hvis det går tapt eller blir skadet.

TA VARE PÅ DISSE INSTRUKSENE.

FUNKSJONSBEKRIVELSE

⚠️FORSIKTIG: Forviss deg alltid om at maskinen er slått av og batteriet tatt ut før du justerer maskinen eller kontrollerer dens mekaniske funksjoner.

Sette inn eller ta ut batteri

⚠️FORSIKTIG: Slå alltid av verktøyet før du setter inn eller fjerner batteriet.

⚠️FORSIKTIG: Hold verktøyet og batteripatronen i et fast grep når du monterer eller fjerner batteripatronen. Hvis du ikke holder verktøyet og batteripatronen godt fast, kan du miste grepet, og dette kan føre til skader på verktøyet og batteripatronen samt personskader.

► Fig.1: 1. Rød indikator 2. Knapp 3. Batteriinnsetts

Før å ta ut batteriet må du skyve på knappen foran på batteriet og trekke det ut.

Når du skal sette inn batteriet, må du plassere tungen på batteriet på linje med sporet i huset og skyve batteriet på plass. Skyv det helt inn til det går i inngrep med et lite klikk. Hvis du kan se den røde anviseren på oversiden av knappen, er det ikke fullstendig låst.

⚠️FORSIKTIG: Batteriet må alltid settes helt inn, så langt at den røde anviseren ikke lenger er synlig. Hvis dette ikke gjøres, kan batteriet komme til å falle ut av maskinen og skade deg eller andre som oppholder seg i nærheten.

⚠️FORSIKTIG: Ikke bruk makt når du setter i batteriet. Hvis batteriet ikke glir lett inn, er det fordi det ikke settes inn på riktig måte.

Indikere gjenværende batterikapasitet

Kun for batterier med indikatoren

► Fig.2: 1. Indikatorlamper 2. Kontrollknapp

Trykk på sjekk-knappen på batteriet for vise gjenværende batterikapasitet. Indikatorlampene lyser i et par sekunder.

Indikatorlamper			Gjenværende batterinivå
Tent	Av	Bliker	
■	■	■	75 % til 100 %
■	■	■	50 % til 75 %
■	■	□	25 % til 50 %
■	□	□	0 % til 25 %
▬	□	□	Lad batteriet.
■	■	□	Batteriet kan ha en feil.
□	□	■	

MERK: Det angitte nivået kan avvike noe fra den faktiske kapasiteten alt etter bruksforholdene og den omgivende temperaturen.

Indikere gjenværende batterikapasitet

Landsspesifikk

Når du slår på verktøyet, viser batteriindikatoren den gjenværende batterikapasiteten.

► Fig.3: 1. Batteriindikator

Gjenværende batterikapasitet vises i form av tabellen nedenfor.

Batteriindikatorstatus			Gjenværende batterikapasitet
På	Av	Bliker	
			50 % til 100 %
			20 % til 50 %
			0 % til 20 %
			Lad batteriet

Batterivernsystem for verktøy/batteri

Verktøyet er utstyrt med et batterivernsystem for verktøy/batteri. Dette systemet kutter automatisk strømmen til motoren for å forlenge verktøyets og batteriets levetid. Verktøyet stopper automatisk under drift hvis verktøyet eller batteriet utsettes for en av følgende tilstander:

Overlastsikring

Når verktøyet brukes på en måte som gjør at det bruker unormalt mye strøm, vil verktøyet stoppe, helt automatisk og uten forvarsel. I dette tilfellet må du slå av verktøyet og avslutte bruken som forårsaket at verktøyet ble overbelastet. Slå deretter verktøyet på for å starte det igjen.

Overopphetingsvern

Når verktøyet blir overopphetet, stopper verktøyet automatisk, og batteriindikatoren viser følgende tilstand. I dette tilfellet lar du verktøyet avkjøles, før du starter verktøyet på nytt.

På	Bliker

Hvis verktøyet ikke starter, kan batteriet være overbelastet. I så fall må du la batteriet kjøle seg ned, før du slår verktøyet på igjen.

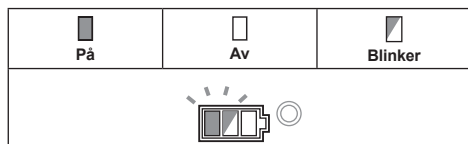
Overutladningsvern

Når det blir batterikapasiteten er utilstrekkelig, stopper verktøyet automatisk. I så fall fjerner du batteriet fra verktøyet og lader det.

Koble ut beskyttelseslåsen

Når beskyttelseslåsen kobles inn gjentatte ganger, låses verktøyet, og batteriindikatoren viser følgende tilstand.

Hvis dette skjer, vil ikke verktøyet starte, selv om det slås av og på. Beskyttelseslåsen kan kobles ut ved å ta ut batteriet, sette det i batteriladeren og vente til det er ferdig ladet.



Spindellås

Trykk på spindellåsen for å forhindre spindelrotasjon når du monterer eller fjerner tilbehør.

► Fig.4: 1. Spindellås

OBS: Du må aldri aktivere spindellåsen mens spindelen beveger seg. Dette kan skade verktøyet.

Bryterfunksjon

⚠FORSIKTIG: Før du setter batteriet i verktøyet, må du kontrollere at bryterspaken beveger seg riktig og går tilbake til posisjonen "AV" når den slippes.

⚠FORSIKTIG: Ikke trekk hardt i bryterspaken uten å trekke i av-sperreknappen. Dette kan få bryteren til å brette.

⚠FORSIKTIG: Av hensyn til din egen sikkerhet er dette verktøyet utstyrt med en AV-sperrehendel som forhindrer utilsiktet start av verktøyet. Du må ALDRI bruke verktøyet hvis det starter når du trekker i startbryteren uten at du også må trekke i AV-sperrehendelen. Lever verktøyet til et autorisert serviceverksted for å få det reparert FØR videre bruk.

⚠FORSIKTIG: AV-sperrehendelen må ALDRI holdes inne med tape, og den må ALDRI settes ut av funksjon.

For å hindre at bryterspaken trykkes ved et ulykkestilfelle er maskinen utstyrt med en av-sperreknapp. For å starte verktøyet må du trekke av-sperrehendelen mot operatøren og deretter trykke på bryteren. Du stanser verktøyet ved å slippe bryterspaken.

► Fig.5: 1. Av-sperreknapp 2. Bryterspaken

Hastighetsinnstillingshjul

Maskinens rotasjonshastighet kan endres ved å dreie på hastighetsinnstillingshjulet. Tabellen nedenfor hvis tallet på innstillingshjulet og den tilsvarende rotasjonshastigheten.

► Fig.6: 1. Hastighetsinnstillingshjul



Tall	Hastighet
1	3 000 min ⁻¹
2	4 500 min ⁻¹
3	6 000 min ⁻¹
4	7 500 min ⁻¹
5	8 500 min ⁻¹

OBS: Hvis maskinen brukes lenge og kontinuerlig på lav hastighet, vil motoren bli overbelastet og slutte å virke som den skal.

OBS: Når du skal bevege hastighetsinnstillingshjulet fra "5" til "1", dreier du innstillingshjulet mot klokken. Ikke bruk makt for å dreie innstillingshjulet med klokken.

Funksjon for automatisk hastighetsendring

► Fig.7: 1. Modusindikator

Modusindikatorstatus	Driftsmodus
	Modus for høy hastighet
	Modus for høyt dreiemoment

Dette verktøyet har en modus for høy hastighet og en modus for høyt dreiemoment. Verktøyet skifter driftsmodus avhengig av arbeidsbelastningen. Når modusindikatoren begynner å lyse under drift, er verktøyet i modus for høyt dreiemoment.

Funksjon som forhindrer utilsiktet start

Selv om du setter batteriet mens du trekker i bryterspaken, starter ikke verktøyet.

For å starte verktøyet må du først frigjøre bryterspaken. Deretter trekker du i av-sperreknappen og til slutt bryterspaken.

Elektronisk dreiemomentkontroll-funksjon

Verktøyet vil elektronisk oppdage situasjoner hvor skiven eller tilbehøret risikerer å sette seg fast. I dette tilfellet vil verktøyet automatisk slå seg av, for å unngå at spindelen fortsetter å rotere (det forhindrer ikke tilbakeslag).

For å starte verktøyet på nytt, må du først slå av verktøyet, fjerne årsaken til det plutselige rotasjonsfallet og deretter slå på verktøyet igjen.

Mykstartfunksjon

Funksjonen for myk start reduserer reaksjonen ved start.

Elektrisk brems

Den elektriske bremsen aktiveres når verktøyet slås av. Bremsen fungerer ikke dersom strømtilførselen kobles ut, ved for eksempel at batteriet tas ut ved en feil, med bryteren på.

MONTERING

⚠FORSIKTIG: Forviss deg alltid om at maskinen er slått av og batteriet tatt ut før du justerer maskinen eller kontrollerer dens mekaniske funksjoner.

Montere støttehåndtak (hjelpeshåndtak)

⚠FORSIKTIG: Forviss deg alltid om at støttehåndtaket er skikkelig montert før du tar maskinen i bruk.

Skru støttehåndtaket godt fast på maskinen i den stillingen som er vist på figuren.

► Fig.8

Montere eller demontere beskyttelseskappen (for skive med forsenket nav, klaffskive, flex-skive, skivebørste/kappeskive, diamantskive)

⚠ADVARSEL: Ved bruk av slipeskive med forsenket nav / klaffskive, flex-skive eller stål-børste, må skivebeskyttelsen settes på verktøyet slik at den lukkede siden av kappen vender mot operatøren.

⚠ADVARSEL: Ved bruk av kappeskive/diamantskive må du forsikre deg om at du bare bruker den spesielle beskyttelseskappen som er beregnet for bruk med kappeskiver.

(I enkelte europeiske land kan det vanlige vernet brukes ved bruk av diamantskive. Følg lokale forskrifter.)

For verktøy med låseskrue med beskyttelseskappe

Monter skivebeskyttelsen slik at fremspringet på skivebeskyttelsesbåndet er innrettet med hakket i lagerboksen. Drei deretter beskyttelseskappen til den står i en slik vinkel at den kan beskytte operatøren under arbeidet som skal utføres. Forviss deg om at du har trukket skruen godt til. Fjern beskyttelseskappen ved å følge installeringsfremgangsmåten i motsatt rekkefølge.

► Fig.9: 1. Beskyttelseskappe 2. Lagerboks 3. Skru

For verktøy med klemmespak med beskyttelseskappe

Løsne skruen og trekk spaken i pilretningen. Monter skivebeskyttelsen slik at fremspringet på skivebeskyttelsesbåndet er innrettet med hakket i lagerboksen. Drei deretter beskyttelseskappen til den står i en slik vinkel at den kan beskytte operatøren under arbeidet som skal utføres.

► Fig.10: 1. Beskyttelseskappe 2. Lagerboks 3. Skru 4. Spak

Trekk spaken i pilretningen. Deretter strammer du beskyttelseskappen ved å feste skruen. Forviss deg om at du har trukket skruen godt til. Innstillingsvinkelen på skivebeskyttelsen kan justeres med spaken.

► Fig.11: 1. Skru 2. Spak

Fjern beskyttelseskappen ved å følge installeringsfremgangsmåten i motsatt rekkefølge.

Montere eller fjerne skive med nedsenket nav eller klaffskive

Valgfritt tilbehør

⚠ADVARSEL: Ved bruk av slipeskive med forsenket nav / klaffskive, må skivebeskyttelsen settes på verktøyet slik at den lukkede siden av kappen vender mot operatøren.

⚠FORSIKTIG: Sørg for at monteringsdelen av den indre flensen passer perfekt inn i den indre omkretsen til den nedsenkede navet / klaffskiven. Hvis den indre flensen monteres på feil side, kan det resultere i farlig vibrasjon.

Monter den indre flensen på spindelen.

Sørg for at du fester den nedsenkede delen av den indre flensen på den rettvinklede delen på bunnen av spindelen.

Sett den nedsenkede navet /klaffskiven på den indre flensen og skru låsemutteren på spindelen.

► Fig.12: 1. Låsemutter 2. Forsenket nav 3. Indre flens 4. Monteringsdel

Stram låsemutteren ved å trykke så kraftig på spindellåsen at spindelen ikke kan rotere, og bruk låsemutternøkkelen til å stramme mutteren godt med klokken.

► Fig.13: 1. Låsemutternøkkelen 2. Spindellås

Fjern hjulet ved å følge installeringsfremgangsmåten i motsatt rekkefølge.

Montere eller fjerne flex-skiven

Valgfritt tilbehør

⚠ADVARSEL: Når du bruker flex-skiven må du alltid bruke medfølgende beskyttelse. Skiven kan knuse ved bruk, og vernet bidrar til å redusere faren for helseskader.

► Fig.14: 1. Låsemutter 2. Flex-hjul 3. Reservepute 4. Indre flens

Følg instruksjonene for skive med nedsenket nav, men bruk også reserveputen over skiven. Se monteringsrekkefølgen på tilbehørssiden i denne håndboken.

Montere eller fjerne slipeskiven

Valgfritt tilbehør

MERK: Bruk slipetilbehør spesifisert i denne håndboken. Disse må kjøpes separat.

For 100 mm modell

► **Fig.15:** 1. Låsemutter for sliping 2. Slipeskive
3. Gummirondell 4. Indre flens

1. Monter den indre flensen på spindelen.
2. Monter gummihetten på spindelen.
3. Sett skiven på gummirondellen og skru låsemutterne for sliping på spindelen.
4. Hold spindelen med skaftlåsen og stram låsemutterne for sliping med klokken med låsemutternøkkelen.

Fjern skiven ved å følge installeringsfremgangsmåten i motsatt rekkefølge.

For 115 mm / 125 mm modell

► **Fig.16:** 1. Låsemutter for sliping 2. Slipeskive
3. Gummirondell

1. Monter gummihetten på spindelen.
2. Sett skiven på gummirondellen og skru låsemutterne for sliping på spindelen.
3. Hold spindelen med skaftlåsen og stram låsemutterne for sliping med klokken med låsemutternøkkelen.

Fjern skiven ved å følge installeringsfremgangsmåten i motsatt rekkefølge.

Koble til støvsuger

Valgfritt tilbehør

⚠ADVARSEL: Bruk aldri støvsugeren på metallpartikler dannet ved sliping/skjæring/pussing. Metallpartikler dannet ved slikt arbeide er så varme at de antenner støv og filteret inne i støvsugeren.

For å hindre støvete omgivelser fra skjæring i mur, må du bruke en beskyttelseskappe med støvsamler og en støvsuger.

Se brukerveiledningen festet på beskyttelseskappen med støvsamler for å sette den sammen og å bruke den.

► **Fig.17:** 1. Beskyttelseskappe med støvsamler
2. Støvsugerslange

BRUK

⚠ADVARSEL: Det er aldri nødvendig å bruke makt på verktøyet. Vekten av maskinen utøver passende trykk. Makt og for stort press kan føre til farlige brudd i skiven.

⚠ADVARSEL: Skiven må ALLTID skiftes hvis maskinen mistes under sliping.

⚠ADVARSEL: ALDRI dunk eller slå slipeskiven mot arbeidsstykket.

⚠ADVARSEL: Unngå at skiven hopper eller setter seg fast, særlig ved sliping av hjørner, skarpe kanter osv. Dette kan føre til at du mister kontrollen, og at maskinen slår tilbake mot deg.

⚠ADVARSEL: Maskinen må ALDRI brukes med skjæreblader for tre eller andre sagblader. Hvis slike blader brukes på en slipemaskin, kan de ofte føre til slag fra maskinen, slik at operatøren mister kontrollen og blir skadet.

⚠FORSIKTIG: Maskinen må aldri slås på mens den er i berøring med arbeidsstykket, da dette kan skade operatøren.

⚠FORSIKTIG: Bruk alltid vernebriller eller ansiktsmaske ved arbeid med maskinen.

⚠FORSIKTIG: Når du er ferdig å bruke maskinen må du alltid slå den av og vente til skiven har stoppet helt før du setter maskinen ned.

⚠FORSIKTIG: Ha ALLTID én hånd på selve verktøyhuset og den andre hånden på støttehåndtaket (håndtaket).

Sliping og pussing

► **Fig.18**

Slå på maskinen og sett så skiven i berøring med arbeidsstykket.

Generelt skal kanten av skiven holdes i en vinkel på omtrent 15° mot overflaten av arbeidsstykket.

I innkjøringsperioden for en ny skive må slipemaskinen ikke brukes i foroverretning, da dette kan føre til at den skjærer inn i arbeidsstykket. Så snart kanten av skiven er rundet av etter å være brukt litt, kan den brukes i både forover- og bakoverretning.

Bruke kappeskive/diamantskive

Valgfritt tilbehør

⚠ ADVARSEL: Ved bruk av kappeskive/diamantskive må du forsikre deg om at du bare bruker den spesielle beskyttelseskappen som er beregnet for bruk med kappeskiver.

(I enkelte europeiske land kan det vanlige vernet brukes ved bruk av diamantskive. Følg lokale forskrifter.)

⚠ ADVARSEL: IKKE bruk kappeskiver til sideveis sliping.

⚠ ADVARSEL: Ikke «klem fast» skiven eller legg sterkt press på den. Ikke forsøk å kutte svært dypt. For mye press på skiven øker belastningen og muligheten for vridning eller fastklemming av skiven i kuttet, noe som kan føre til tilbakeslag, skivebrudd og overoppheting av motoren.

⚠ ADVARSEL: Ikke start kappingen mens skiven står i arbeidsstykket. La skiven få full hastighet og sett den forsiktig i kuttet samtidig som du beveger verktøyet fremover over overflaten på arbeidsstykket. Skiven kan sette seg fast, vandre opp eller slå tilbake hvis verktøyet startes med skiven i arbeidsstykket.

⚠ ADVARSEL: Ikke endre vinkel på skiven under bruk. Legger du sideveis press på kappeskiven (som ved pussing), kan det føre til at skiven sprekker og brytes i stykker, noe som kan føre til alvorlig personskaade.

⚠ ADVARSEL: En diamantskive skal brukes vinkelrett på materialet som kuttes.

- **Fig.19:** 1. Låsemutter 2. Slipende kappeskive/diamantskive 3. Indre flens 4. Skivevern for slipende kappeskive/diamantskive

Når det gjelder installasjonen, må du følge anvisningene for nedsenket nav.

Monteringsretningen for låsemutteren og den indre flensen varierer med skivetype og -tykkelse.

Se følgende figurer.

For 100 mm modell

Når du installerer det slipende kapphjulet:

- **Fig.20:** 1. Låsemutter 2. Slipende kapphjul (tynnere enn 4 mm) 3. Slipende kapphjul (4 mm eller tykkere) 4. Indre flens

Når du installerer diamanthjulet:

- **Fig.21:** 1. Låsemutter 2. Diamanthjul (tynnere enn 4 mm) 3. Diamanthjul (4mm eller tykkere) 4. Indre flens

For 115 mm / 125 mm modell

Når du installerer det slipende kapphjulet:

- **Fig.22:** 1. Låsemutter 2. Slipende kapphjul (tynnere enn 4 mm) 3. Slipende kapphjul (4 mm eller tykkere) 4. Indre flens

Når du installerer diamanthjulet:

- **Fig.23:** 1. Låsemutter 2. Diamanthjul (tynnere enn 4 mm) 3. Diamanthjul (4mm eller tykkere) 4. Indre flens

Bruke koppbørsten av stål

Valgfritt tilbehør

⚠ FORSIKTIG: Kontroller driften av børsten ved å kjøre verktøyet uten belastning, og forsikre deg om at ingen er foran eller ved siden av børsten.

⚠ FORSIKTIG: Ikke bruk en børste som er skadet, eller som ikke er balansert. Hvis du bruker en skadet børste, kan dette øke faren for personskaade ved kontakt med ødelagte børstetråder.

- **Fig.24:** 1. Koppbørste av stål

Fjern batteriet fra verktøyet og snu det opp ned for å få enkel tilgang til spindelen.

Demonter alt tilbehør fra spindelen. Monter koppbørsten av stål på spindelen og trekk til med den medfølgende nøkkelen.

OBS: Unngå å bruke for stort trykk, som kan føre at metalltrådene bøyes når du bruker børsten. Det kan føre til at de ødelegges for tidlig.

Bruke sirkulær stålborste

Valgfritt tilbehør

⚠ FORSIKTIG: Kontroller driften av skivebørsten ved å kjøre verktøyet uten belastning, og forsikre deg om at ingen er foran eller ved siden av skivebørsten.

⚠ FORSIKTIG: Ikke bruk en skivebørste som er skadet, eller som ikke er balansert. Hvis du bruker en skadet skivebørste, kan dette øke faren for personskaade ved kontakt med ødelagte børstetråder.

⚠ FORSIKTIG: Bruk ALLTID beskyttelseskappen med skivebørster, og pass på at skivens diameter passer inne i beskyttelseskappen. Skiven kan knuse ved bruk, og vernet bidrar til å redusere faren for helseskader.

- **Fig.25:** 1. Sirkulærbørste av stål

Fjern batteriet fra verktøyet og snu det opp ned for å få enkel tilgang til spindelen.

Demonter alt tilbehør fra spindelen. Skru skivebørsten på spindelen og stram med nøklene.

OBS: Unngå å bruke for stort trykk, som kan føre at metalltrådene bøyes når du bruker sirkulærbørsten av stål. Det kan føre til at de ødelegges for tidlig.

TRÅDLØSAKTIVERINGS- FUNKSJON

Kun for DGA418/DGA468/DGA518

Hva du kan gjøre med trådløsaaktiveringsfunksjonen

Trådløsaaktiveringsfunksjonen muliggjør ren og behagelig bruk. Hvis du kobler en støttet støvsuger til verktøyet, kan du bruke støvsugeren automatisk sammen med verktøyet bryterfunksjon.

► Fig.26

Hvis du vil bruke trådløsaaktiveringsfunksjonen, må du klargjøre følgende elementer:

- En trådløs enhet
- En støvsuger som støtter trådløsaaktiveringsfunksjonen

Oversikten over innstillingen for trådløsaaktiveringsfunksjonen er som følger. Du finner detaljerte fremgangsmåter i hver enkelt del.

1. Installere den trådløse enheten
2. Verktøyregistrering for støvsugeren
3. Starte trådløsaaktiveringsfunksjonen

Installere den trådløse enheten

⚠ FORSIKTIG: Plasser verktøyet på et flatt og stabilt underlag når du skal installere den trådløse enheten.

OBS: Fjern støv og smuss på verktøyet før du installerer den trådløse enheten. Støv eller smuss kan føre til funksjonsfeil hvis det trenger inn i den trådløse enhetens spor.

OBS: For å unngå funksjonsfeil som følge av statisk elektrisitet, berører du et statisk utladningsmateriale, som en av verktøyetts metalldele, før du tar i den trådløse enheten.

OBS: Når du installerer den trådløse enheten, må du passe på at den trådløse enheten settes inn i riktig rettet og at lokket lukkes helt igjen.

1. Åpne logget på verktøyet som vist i figuren.
- Fig.27: 1. Løkk
2. Sett den trådløse enheten inn i sporet, og lukk lokket.

Når du setter inn den trådløse enheten, innretter du fremspringene med de utsparte delene på sporet.

- Fig.28: 1. Trådløs enhet 2. Fremspring 3. Løkk
4. Utspart del

Når du fjerner den trådløse enheten, må du åpne lokket sakte. Krokene på baksiden av lokket vil løfte den trådløse enheten når du drar i lokket.

- Fig.29: 1. Trådløs enhet 2. Krok 3. Løkk

Etter at du har fjernet den trådløse enheten, oppbevares den i esken som følger med eller en beholder som ikke er statisk.

OBS: Du må alltid bruke krokene på baksiden av lokket når du fjerner den trådløse enheten. Hvis krokene ikke hefter seg fast i den trådløse enheten, lukker du lokket helt og åpner det sakte på nytt.

Verktøyregistrering for støvsugeren

MERK: En Makita-støvsuger som støtter trådløsaaktiveringsfunksjonen er nødvendig for verktøyregistrering.

MERK: Fullfør installasjonen av den trådløse enheten i verktøyet før du starter verktøyregistreringen.

MERK: Du må ikke dra i startbryteren eller slå på strømbryteren på støvsugeren under verktøyregistrering.

MERK: Les i tillegg brukerveiledningen for støvsugeren.

Hvis du ønsker å aktivere støvsugeren sammen med verktøyetts bryterfunksjon, må du fullføre verktøyregistreringen på forhånd.

1. Sett batteriene i støvsugeren og verktøyet.
2. Still ventebryteren på støvsugeren på "AUTO".

► Fig.30: 1. Ventebryter

3. Trykk på trådløsaaktiveringsknappen på støvsugeren i 3 sekunder til trådløsaaktiveringslampen blinker grønt. Deretter trykker du på trådløsaaktiveringsknappen på verktøyet på samme måte.

- Fig.31: 1. Trådløsaaktiveringsknapp
2. Trådløsaaktiveringslampe

Hvis koblingen av støvsugeren og verktøyet lykkes, vil trådløsaaktiveringslampene lyse grønt i 2 sekunder og begynner å blinke blått.

MERK: Trådløsaaktiveringslampene slutter å blinke grønt når det har gått 20 sekunder. Trykk på trådløsaaktiveringsfunksjonen på verktøyet mens trådløsaaktiveringslampen på støvsugeren blinker. Hvis trådløsaaktiveringslampen ikke blinker grønt, trykker du på trådløsaaktiveringsknappen et kort øyeblikk og holder den inne igjen.

MERK: Når du utfører to eller flere verktøyregistreringer for én støvsuger, fullfører du verktøyregistreringen etter en.

Starte trådløsaaktiveringsfunksjonen

MERK: Fullfør verktøyregistreringen for støvsugeren før trådløsaaktiveringen.

MERK: Les i tillegg brukerveiledningen for støvsugeren.

Etter at et verktøy er registrert til støvsugeren, vil støvsugeren automatisk svive sammen med verktøyetts bryterfunksjon.

1. Installer den trådløse enheten i verktøyet.
2. Koble støvsugerens slange til verktøyet.

► Fig.32

3. Still ventebryteren på støvsugeren på "AUTO".

► Fig.33: 1. Ventebryter

4. Trykk et kort øyeblikk på trådløsaaktiveringsknappen på verktøyet. Trådløsaaktiveringslampen vil blinke blått.

- Fig.34: 1. Trådløsaaktiveringsknapp
2. Trådløsaaktiveringslampe

5. Dra i verktøyets startbryter. Kontroller om støvsugeren sviver mens du drar i startbryteren.

Hvis du vil stanse støvsugerens trådløsaktivering, trykker du på trådløsaktiveringsknappen på verktøyet.

MERK: Trådløsaktiveringslampen på verktøyet vil slutte å blinke blått når verktøyet ikke har blitt brukt på 2 timer. Da setter du i tilfelle ventebryteren på støvsugeren på "AUTO" og trykker på trådløsaktiveringsknappen på verktøyet igjen.

MERK: Støvsugeren starter/stopper med en forsinkelse. Det er en tidsforsinkelse når støvsugeren oppdater at en bryter på verktøyet er trykket på.










MERK: Det trådløse enhetens overføringsavstand kan variere avhengig av sted og omgivelsesforhold.

MERK: Når to eller flere verktøy er registrert til én støvsuger, kan det hende at støvsugeren begynner å svive selv om du ikke drar i startbryteren, fordi en annen bruker trådløsaktiveringsfunksjonen.

Beskrivelse av trådløsaktiveringslampens status

► **Fig.35:** 1. Trådløsaktiveringslampe

Trådløsaktiveringslampen viser statusen til trådløsaktiveringsfunksjonen. Du finner informasjon om lampestatusens betydning i tabellen nedenfor.

Status	Trådløsaktiveringslampe				Beskrivelse
	Farge	 På	 Blinker	Varighet	
Ventemodus	Blå			2 timer	Trådløsaktivering av støvsugeren er tilgjengelig. Lampen vil slå seg av når verktøyet ikke har blitt brukt på 2 timer.
				Når verktøyet sviver.	Trådløsaktivering av støvsugeren er tilgjengelig, og verktøyet sviver.
Verktøyregistrering	Grønn			20 sekunder	Klar for verktøyregistrering. Venter på registrering av støvsugeren.
				2 sekunder	Verktøyregistreringen er fullført. Trådløsaktiveringslampen vil begynne å blinke blått.
Avbryte verktøyregistrering	Rød			20 sekunder	Klar for å avbryte verktøyregistrering. Venter på at støvsugeren skal avbryte.
				2 sekunder	Verktøyregistreringen er avbrutt. Trådløsaktiveringslampen vil begynne å blinke blått.
Andre	Rød			3 sekunder	Den trådløse enheten forsynes med strøm, og trådløsaktiveringsfunksjonen starter opp.
	Av	-		-	Trådløsaktivering av støvsugeren stanses.

Avbryte verktøyregistrering for støvsugeren

Gå frem på følgende måte når du skal avbryte verktøyregistrering for støvsugeren.

1. Sett batteriene i støvsugeren og verktøyet.
2. Still ventebryteren på støvsugeren på "AUTO".

► **Fig.36:** 1. Ventebryter

3. Trykk på trådløsaktiveringsknappen på støvsugeren i 6 sekunder. Trådløsaktiveringslampen blinker grønt og blir deretter rød. Deretter trykker du på trådløsaktiveringsknappen på verktøyet på samme måte.

► **Fig.37:** 1. Trådløsaktiveringsknapp
2. Trådløsaktiveringslampe

Hvis avbrytingen er vellykket, vil trådløsaktiveringslampene lyse rødt i 2 sekunder og begynne å blinke blått.

MERK: Trådløsaktiveringslampene slutter å blinke rødt når det har gått 20 sekunder. Trykk på trådløsaktiveringsfunksjonen på verktøyet mens trådløsaktiveringslampen på støvsugeren blinker. Hvis trådløsaktiveringslampen ikke blinker rødt, trykker du på trådløsaktiveringsknappen et kort øyeblikk og holder den inne igjen.

Feilsøking for trådløstaktiveringsfunksjonen

Insipser utstyret selv før du bestiller reparasjon. Ikke prøv å demontere verktøyet hvis du finner et problem som ikke er forklart i brukerveiledningen. I stedet bør du ta kontakt med et av Makitas autoriserte servicesentre, som alltid bruker reservedeler fra Makita til reparasjoner.

Unormal tilstand	Sannsynlig årsak (feil)	Løsning
Trådløstaktiveringslampen tennes/ blinker ikke.	Den trådløse enheten er ikke installert i verktøyet. Den trådløse enheten er installert på feil måte i verktøyet.	Installer den trådløse enheten på riktig måte.
	Det trådløse enhetens tilkoblingspunkt og/eller spor er tilsmusset.	Tørk forsiktig bort støv og smuss på den trådløse enhetens tilkoblingspunkt, og rengjør sporet.
	Du har ikke trykket på trådløstaktiveringsknappen.	Trykk et kort øyeblikk på trådløstaktiveringsknappen på verktøyet.
	Ventebryteren på støvsugeren er ikke stilt inn på "AUTO".	Still ventebryteren på støvsugeren på "AUTO".
	Ingen strømforsyning	Sørg for at verktøyet og støvsugeren har strømforsyning.
Kan ikke fullføre verktøyregistrering/ avbryte verktøyregistrering.	Den trådløse enheten er ikke installert i verktøyet. Den trådløse enheten er installert på feil måte i verktøyet.	Installer den trådløse enheten på riktig måte.
	Det trådløse enhetens tilkoblingspunkt og/eller spor er tilsmusset.	Tørk forsiktig bort støv og smuss på den trådløse enhetens tilkoblingspunkt, og rengjør sporet.
	Ventebryteren på støvsugeren er ikke stilt inn på "AUTO".	Still ventebryteren på støvsugeren på "AUTO".
	Ingen strømforsyning	Sørg for at verktøyet og støvsugeren har strømforsyning.
	Feil bruk	Trykk på trådløstaktiveringsknappen et kort øyeblikk, og utfør verktøyregistrering/avbryting på nytt.
	Verktøyet og støvsugeren er for langt unna hverandre (utenfor overføringsområdet).	Sørg for at verktøyet og støvsugeren er nærmere hverandre. Maksimal overføringsavstand er ca. 10 m, men den kan variere avhengig av forholdene.
	Før du fullfører verktøyregistrering/ avbryting: – dra i startbryteren på verktøyet, eller – slå på startknappen på støvsugeren.	Trykk på trådløstaktiveringsknappen et kort øyeblikk, og utfør verktøyregistrering/avbryting på nytt.
	Verktøyregistreringen for verktøyet eller støvsugeren er ikke fullført.	Følg fremgangsmåten for verktøyregistrering for både verktøyet og støvsugeren samtidig.
	Radioforstyrrelse fra andre innretninger som genererer radiobølger med høy intensitet.	Hold verktøyet og støvsugeren borte fra innretninger som WiFi-enheter og mikrobølgeovner.

Unormal tilstand	Sannsynlig årsak (feil)	Løsning
Støvsugeren sviver ikke sammen med verktøyet bryterfunksjon.	Den trådløse enheten er ikke installert i verktøyet. Den trådløse enheten er installert på feil måte i verktøyet.	Installer den trådløse enheten på riktig måte.
	Det trådløse enhetens tilkoblingspunkt og/eller spor er tilsmusset.	Tørk forsiktig bort støv og smuss på den trådløse enhetens tilkoblingspunkt, og rengjør sporet.
	Du har ikke trykket på trådløseaktiveringsknappen.	Trykk på trådløseaktiveringsknappen et kort øyeblikk, og kontroller at trådløseaktiveringslampen blinker blått.
	Ventebryteren på støvsugeren er ikke stilt inn på "AUTO".	Still ventebryteren på støvsugeren på "AUTO".
	Mer enn 10 verktøy er registrert til støvsugeren.	Utfør verktøyregistreringen på nytt. Hvis mer enn 10 verktøy er registrert til støvsugeren, vil det først registrerte verktøyet bli fjernet automatisk.
	Støvsugeren slettet alle verktøyregistreringer.	Utfør verktøyregistreringen på nytt.
	Ingen strømforsyning	Sørg for at verktøyet og støvsugeren har strømforsyning.
	Verktøyet og støvsugeren er for langt unna hverandre (utenfor overføringsområdet).	Sørg for at verktøyet og støvsugeren er nærmere hverandre. Maksimal overføringsavstand er ca. 10 m, men den kan variere avhengig av forholdene.
	Radioforstyrrelse fra andre innretninger som genererer radiobølger med høy intensitet.	Hold verktøyet og støvsugeren borte fra innretninger som WiFi-enheter og mikrobølgeovner.
Støvsugeren sviver når du ikke drar i startbryteren.	Andre brukere bruker støvsugerens trådløseaktivering med verktøyene sine.	Slå av de andre verktøyenes trådløseaktiveringsknapp, eller avbryt verktøyregistrering for andre verktøy.

VEDLIKEHOLD

⚠FORSIKTIG: Forviss deg alltid om at maskinen er slått av og batteriet tatt ut før du foretar inspeksjon eller vedlikehold.

OBS: Aldri bruk gasolin, bensin, tynner alkohol eller lignende. Det kan føre til misfarging, deformering eller sprekkdannelse.

Rengjøring av luftventil

Maskinen og luftenåpningene må holdes rene. Rengjør maskinens luftenåpninger med jevne mellomrom og ellers når åpningene begynner å tettes.

► **Fig.38:** 1. Ventilasjonsutløp 2. Innsugsventil

Fjern støvdekelet fra innsugsventilen, og rengjør det for å sikre en jevn luftsirkulering.

► **Fig.39:** 1. Støvdeksel

OBS: Rengjør støvdekelet når det er tilstoppet av støv eller fremmedlegemer. Fortsatt drift med et tilstoppet støvdeksel kan skade verktøyet.

VALGFRITT TILBEHØR

⚠FORSIKTIG: Det anbefales at du bruker dette tilbehøret eller verktøyet sammen med den Makita-maskinen som er spesifisert i denne håndboken. Bruk av annet tilbehør eller verktøy kan forårsake personska-der. Tilbehør og verktøy må kun brukes til det formålet det er beregnet på.

Ta kontakt med ditt lokale Makita-servicesenter hvis du trenger mer informasjon om dette tilbehøret.

- Makita originalbatteri og lader
- Trådløs enhet (for modeller med trådløs aktiveringsfunksjon)

► **Fig.40**

-	100 mm modell	115 mm modell	125 mm modell
1	Håndtak 36		
2	Beskyttelseskappe (for slipehjul)		
3	Indre flens		
4	Nedsenket nav / klaffskive		
5	Låsemutter		
6	Reservepute		
7	Flex-hjul		
8	Indre flens og gummirondell 76	Gummihette 100	Gummihette 115
9	Slipeskive		
10	Låsemutter for sliping		
11	Sirkulærbørste av stål		
12	Koppbørste av stål		
13	Beskyttelseskappe (for kapphjul) *1		
14	Slipende kappeskive / diamantskive		
15	Beskyttelseskappe med støvsamler		
-	Låsemutternøkkel		

MERK: *1 Når du bruker et diamanthjul i enkelte europeiske land, kan en vanlig kappe brukes istedenfor spesialkappen som dekker begge sider av hjulet. Følg lokale forskrifter.

MERK: Enkelte elementer i listen kan være inkludert som standardtilbehør i verktøypakken. Elementene kan variere fra land til land.

TEKNISET TIEDOT

Malli:	DGA417	DGA418
Laikan halkaisija	100 mm (4")	
Laikan suurin paksuus	6,4 mm	
Karan kierre	M10	
Nimellisa nopeus (n)	8 500 min ⁻¹	
Kokonaispituus	382 mm	
Nimellisjännite	DC 18 V	
Nettopaino	2,2 - 2,9 kg	
Sähköjarru	✓	
Langaton aktivointitoiminto	-	✓

Malli:	DGA467	DGA468
Laikan halkaisija	115 mm (4-1/2")	
Laikan suurin paksuus	7,2 mm	
Karan kierre	M14 tai 5/8" (maakohtainen)	
Nimellisa nopeus (n)	8 500 min ⁻¹	
Kokonaispituus	382 mm	
Nimellisjännite	DC 18 V	
Nettopaino	2,4 - 3,1 kg	
Sähköjarru	✓	
Langaton aktivointitoiminto	-	✓

Malli:	DGA517	DGA518
Laikan halkaisija	125 mm (5")	
Laikan suurin paksuus	7,2 mm	
Karan kierre	M14 tai 5/8" (maakohtainen)	
Nimellisa nopeus (n)	8 500 min ⁻¹	
Kokonaispituus	382 mm	
Nimellisjännite	DC 18 V	
Nettopaino	2,4 - 3,1 kg	
Sähköjarru	✓	
Langaton aktivointitoiminto	-	✓

- Jatkuvasta tutkimus- ja kehitystyöstämme johtuen esitetyt tekniset tiedot saattavat muuttua ilman erillistä ilmoitusta.
- Tekniset tiedot voivat vaihdella maittain.
- Paino voi olla erilainen lisävarusteista sekä akusta johtuen. EPTA-menettelytavan 01/2014 mukaisesti, taulukossa on kuvattu kevyin ja painavin laiteyhdistelmä.

Käytettävä akkupaketti

BL1815N / BL1820 / BL1820B / BL1830 / BL1830B / BL1840 / BL1840B / BL1850 / BL1850B / BL1860B

- Tiettyjä yläpuolella kuvattuja akkuja ei ehkä ole saatavana asuinalueestasi johtuen.

VAROITUS: Käytä vain edellä eriteltyjä akkupaketteja. Muiden akkupakettien käyttäminen voi aiheuttaa loukkaantumisen ja/tai tulipalon.

Käyttötarkoitus

Työkalu on tarkoitettu metallin ja kiven hiomiseen ja leikkaamiseen ilman vettä.

Melutaso

Tyypillinen A-painotettu melutaso määryyty standardin EN60745 mukaan:

Malli	Äänenpainetaso (L_{pA}): (dB(A))	Äänentehotaso (L_{WA}): (dB(A))	Virhemarginaali (K): (dB(A))
DGA417	80	-	3
DGA418	80	-	3
DGA467	80	-	3
DGA468	80	-	3
DGA517	79	-	3
DGA518	79	-	3

Työskentelyn aikana melutaso voi ylittää 80 dB (A).

VAROITUS: Käytä kuulosuojaimia.

Tärinä

Kokonaistärinä (kolmen akselin vektorien summa) määryyty standardin EN60745 mukaan:

Käyttötila: pintahionta tavallista sivukahvaa käyttäen

Malli	Tärinäpäästö ($a_{h, AG}$): (m/s ²)	Virhemarginaali (K): (m/s ²)
DGA417	4,5	1,5
DGA418	4,5	1,5
DGA467	5,5	1,5
DGA468	5,5	1,5
DGA517	6,0	1,5
DGA518	6,0	1,5

Käyttötila: pintahionta tärinävaimeentavaa sivukahvaa käyttäen

Malli	Tärinäpäästö ($a_{h, AG}$): (m/s ²)	Virhemarginaali (K): (m/s ²)
DGA417	4,5	1,5
DGA418	4,5	1,5
DGA467	5,0	1,5
DGA468	5,0	1,5
DGA517	5,5	1,5
DGA518	5,5	1,5

Käyttötila: laikkahionta tavallista sivukahvaa käyttäen

Malli	Tärinäpäästö ($a_{h, DS}$): (m/s ²)	Virhemarginaali (K): (m/s ²)
DGA417	2,5 m/s ² tai alhaisempi	1,5
DGA418	2,5 m/s ² tai alhaisempi	1,5
DGA467	2,5 m/s ² tai alhaisempi	1,5
DGA468	2,5 m/s ² tai alhaisempi	1,5
DGA517	2,5 m/s ² tai alhaisempi	1,5
DGA518	2,5 m/s ² tai alhaisempi	1,5

Käyttötila: laikkahionta tärinävaimeentavaa sivukahvaa käyttäen

Malli	Tärinäpäästö ($a_{h, DS}$): (m/s ²)	Virhemarginaali (K): (m/s ²)
DGA417	2,5 m/s ² tai alhaisempi	1,5
DGA418	2,5 m/s ² tai alhaisempi	1,5
DGA467	2,5 m/s ² tai alhaisempi	1,5
DGA468	2,5 m/s ² tai alhaisempi	1,5
DGA517	2,5 m/s ² tai alhaisempi	1,5
DGA518	2,5 m/s ² tai alhaisempi	1,5

HUOMAA: Ilmoitettu tärinäpäästöarvo on mitattu standarditestausten mukaisesti, ja sen avulla voidaan vertailla työkaluja keskenään.

HUOMAA: Ilmoitettua tärinäpäästöarvoa voidaan käyttää myös altistumisen alustavaan arviointiin.

VAROITUS: Työkalun käytön aikana mitattu todellinen tärinäpäästöarvo voi poiketa ilmoitetusta tärinäpäästöarvosta työkalun käyttötavan mukaan.

VAROITUS: Selvitä käyttäjän suojaamiseksi tarvittavat varoimet todellisissa käyttöolosuhteissa tapahtuvan arvioidun altistumisen mukaisesti (ottaen huomioon käyttöjakso kokonaisuudessaan, myös jaksot, joiden aikana työkalu on sammutettuna tai käy tyhjäkäynnillä).

VAROITUS: Ilmoitettu tärinäpäästöarvo koskee tämän työkalun pääasiallisia käyttötarkoituksia. Tärinäpäästöarvo voi kuitenkin muuttua, jos työkalua käytetään muihin tarkoituksiin.

EY-vaatimusten mukaisuusvakuutus

Koskee vain Euroopan maita

EY-vaatimusten mukaisuusvakuutus on liitetty tähän käyttöoppaaseen.

TURVAVAROITUKSET

Sähkötyökalujen käyttöä koskevat yleiset varoitukset

VAROITUS: Tutustu kaikkiin tämän sähkötyökalun mukana toimitettuihin varoituksiin, ohjeisiin, kuviin ja teknisiin tietoihin. Seuraavassa lueteltujen ohjeiden noudattamatta jättäminen saattaa johtaa sähköiskuun, tulipaloon tai vakavaan vammautumiseen.

Säilytä varoitukset ja ohjeet tulevaa käyttöä varten.

Varoituksissa käytettävällä termillä "sähkötyökalu" tarkoitetaan joko verkkovirtaa käyttävää (johdollista) työkalua tai akkukäyttöistä (johdotonta) työkalua.

Akkukäyttöisen hiomakoneen turvaohjeet

Hiontaa, hiekkapaperihiontaa, harjausta ja katkaisua koskevat yleiset varoitukset:

1. Tätä sähkötyökalua voidaan käyttää hiomakoneena, hiekkapaperihiomakoneena, teräs-harjana ja katkaisutyökaluna. Tutustu kaikkiin tämän sähkötyökalun mukana toimitettuihin varoituksiin, ohjeisiin, kuviin ja teknisiin tietoihin. Seuraavassa lueteltujen ohjeiden noudattamatta jättäminen saattaa johtaa sähköiskuun, tulipaloon tai vakavaan vammautumiseen.
2. Älä käytä työkalua kiillottamiseen. Sellaiset toiminnot, joihin tätä sähkötyökalua ei ole suunniteltu, voivat aiheuttaa vaaran ja aiheuttaa henkilövamman.
3. Älä käytä sellaisia lisävarusteita, jotka eivät ole nimenomaan valmistajan suunnittelemaa tai suosittamia. Vaikka lisävarusteen voi kiinnittää työkaluun, sen käyttö ei silti välttämättä ole turvallista.

4. Lisävarusteen määrätyn nopeuden täytyy olla ainakin samanvertainen tehokoneessa osoitetun enimmäisnopeuden kanssa. Sellaiset lisävarusteet, jotka toimivat nopeammin, kuin määritetty nopeus, voivat rikkoutua ja sinkoutua erilleen.
5. Lisävarusteesi ulkohalkaisijan ja paksuuden on oltava tehokoneesi määritetyn kapasiteetin sisällä. Väärin mitoitettuja lisävarusteita ei voida suojata tai ohjata sopivasti.
6. Lisävarusteiden kierteitetyn asennuskiinnityksen on vastattava hiomakoneen karan kierteitä. Laippa-asennettävien lisävarusteiden asennusreiän on vastattava kohdistuslaipan halkaisijaa. Jos lisävaruste ei sovi tehokoneen asennusvarustukseen, tehokone ei ole tasapainossa. Se voi tärähtä voimakkaasti, mikä voi aiheuttaa työkalun hallinnan menetyksen.
7. Älä käytä viallisia lisävarusteita. Ennen jokaista käyttökertaa tarkista, että hioma-laikassa ei ole lohkeamia tai halkeamia, tyy-nyissä ei ole halkeamia tai merkkejä liiallisesta kulumisesta ja että teräharjan harjokset eivät ole irti tai halkeilleet. Jos työkalu tai lisävaruste pääsee putoamaan, tarkista sen kunto tai vaihda lisävaruste ehjään. Asetu lisävarusteen tarkastuksen ja asennuksen jälkeen niin, ettei itse tai kukaan sivullinen ole pyörivän lisävarusteen kanssa samassa tasossa ja käytä laitetta sitten suurimmalla sallitulla joutokäyntinopeudella yhden minuutin ajan. Vioittanut lisävaruste hajoaa yleensä tässä testijassa.
8. Käytä suojavarusteita. Käytä käyttötarkoituksen mukaisesti kasvosuojusta, suojalaseja tai sivusuojilla varustettuja laseja. Käytä tarvittaessa hengityssuojainta, kuulosuojaimia, hansikkaita ja työessua, joka suojaa pieniltä pirstaleilta. Suojalasiin täytyy suojata kaikenlaisista töistä aiheutuvilta lentäviltä pirstaleilta. Hengityssuojaimen täytyy suodattaa työskentelyn tuottamat hiukkaset. Pitkäaikainen altistuminen voimakkaalle melulle voi vahingoittaa kuuloa.
9. Sivullisten tulee pysyä turvallisen etäisyyden päässä työskentelyalueesta. Kaikkien työskentelyalueelle tulevien on käytettävä suojavarusteita. Työkappaleen tai rikkoutuneen lisävarusteen pirstaleet voivat aiheuttaa vamman välittömästi toiminta-alueen ulkopuolella.
10. Kun suoritat toimintaa, jossa työkalu voi joutua kosketukseen piilossa olevien joihtojen kanssa, pidä kiinni työkalusta sen eristetyn pinnan kohdalla. Jos sähkötyökalun metalliosaa joutuu kosketukseen virrallisen johdon kanssa, työkalun sähköä johtavat metalliosat voivat aiheuttaa käyttäjälle sähköiskun.

- Älä koskaan laita tehokoneita alas, ennen kuin lisävaruste on täysin pysähtynyt.** Pyörivä lisävaruste voi tarrata pintaan ja vetää tehokoneen käsistäsi.
- Älä käytä laitetta, kun annat sitä sivullasi.** Vahingossa aiheutuva kosketus pyörivään lisävarusteeseen voi repiä vaatteesi, vetäen lisävarusteen kehoosi.
- Puhdista työkalun ilma-aukot säännöllisesti.** Moottorin tuuletin imee pölyä koteloon, ja metallijauheeseen kerääntyminen laitteeseen voi aiheuttaa sähköiskuvaaran.
- Älä käytä tehokoneita tulenarkojen materiaalien lähellä.** Kipinät voivat sytyttää nämä materiaalit.
- Älä käytä sellaisia lisävarusteita, jotka vaativat jäähdytysnesteitä.** Jos käytät vettä tai muita jäähdytysnesteitä, ne voivat aiheuttaa sähkötapaturman tai -iskun.

Takapotku ja siihen liittyvät varoitukset

Takapotku on kiinni juuttuneen laikan, tynny, harjan tai muun lisävarusteen aiheuttama äkillinen sysäs. Kiinni juuttuminen tai takertelu aiheuttaa sen, että pyörivä lisävaruste pysähtyy, mikä puolestaan alkaa työntää laitetta hallitsemattomasti pyörimisliikkeelle vastakkaiseen suuntaan.

Jos laikka esimerkiksi juuttuu työkappaleeseen, juuttumiskohtaan puretumassa oleva laikka voi tunkeutua kappaleen pintaan, jolloin se kiipeää ylös tai potkaisee taaksepäin. Laikka voi ponnahtaa joko käyttäjää kohti tai käyttäjästä poispäin riippuen laikan pyörimissuunnasta juuttumishetkellä. Hiomalaikat voivat myös rikkoutua näissä tilanteissa.

Takapotku johtuu tehokoneen virheellisestä käytöstä ja/ tai käyttötavasta tai olosuhteista. Takapotku voidaan välttää seuraavien varotoimien avulla.

- Pitele tehokoneesta tukevasti kiinni ja asetu sellaiseen asentoon, että voit vastustaa takapotkun voimaa.** Käytä aina apukahvaa, jos annettu mukana, takapotkujen tai vääntömomentin maksimi hallinnon vuoksi käynnistytksen aikana. Käyttäjä voi hallita vääntömomentin reaktioita tai takapotkun voimaa noudattamalla sopivia varotoimenpiteitä.
- Älä koskaan vie kättäsi pyörivän lisävarusteen käsillesi.** Lisävaruste saattaa aiheuttaa takapotkun käsillesi.
- Älä asetu niin, että kehosi jää sähkötyökalun tielle takapotkun sattuessa.** Takapotku heittää laitetta laikan pyörimissuuntaan nähden päinvas-taiseen suuntaan.
- Ole erityisen varovainen, kun työstät nurkkia, teräviä reunoja tms. Vältä laikan pomppimista ja jumittumista.** Kulmilla, terävillä reunoilla tai ponnahtamisella on taipumus repäistä pyörivää lisävarustetta ja aiheuttaa hallinnan menettämisen tai takapotkun.
- Älä käytä laitteessa moottorisahan puunleikkuuterää tai hammastettua terää.** Tällaiset terät aiheuttavat usein takapotkuja ja hallinnan menettämisen.

Hiontaa ja katkaisua koskevat erityiset varoitukset:

- Käytä vain kyseiselle sähkötyökalulle tarkoitettuja laikkatyyppejä ja kyseiselle laikalle tarkoitettua erikoissuojaa.** Muita kuin kyseiselle sähkötyökalulle nimenomaisesti tarkoitettuja laikkoja ei voida suojata kunnolla, eivätkä ne ole turvallisia.
- Upotetulla navalla varustettujen laikkojen hiomapinnan on oltava suojareunan tason alapuolella.** Väärin asennettua laikkaa, joka työnty suojareunan tason läpi, ei ole asianmukaisesti suojattu.
- Suojus on kiinnitettävä laitteeseen tukevasti turvalliseen asentoon niin, että mahdollisimman pieni osa laikasta näkyy käyttäjää kohti.** Suoja suojaaa käyttäjää rikkoutuneen laikan pala-silta ja kipinoiltä, jotka voisivat sytyttää vaatteet palamaan, sekä estää vahingossa koskettamasta laikkaa.
- Laikkaa saa käyttää vain niille suositeltuun käyttötarkoitukseen.** Esimerkki: älä käytä katkaisulaikan sivua hiomiseen. Katkaisulaikkaa käytettäessä hionta on tarkoitettu tehtäväksi vain laikan kehällä. Laikkaan kohdistettava sivuttaisvoima voi rikkoa sen sirpaleiksi.
- Käytä aina ehjiä ja oikean kokoisia laikkalaip-poja, joiden muoto vastaa valittua laikkaa.** Oikeantyyppiset laikkalaipat tukevat laikkaa ja pienentävät näin laikan rikkoutumisriskiä. Katkaisulaikkoihin tarkoitettujen laipat voivat olla erilaisia kuin hiomalaikkojen laipat.
- Älä käytä suurempien sähkötyökalujen kulu-neita laikkoja.** Suuriin sähkötyökaluihin tarkoitettujen laikat eivät sovi suuremmalla nopeudella toimiviin pienempiin työkaluihin ja voivat siksi hajota.

Katkaisua koskevat lisävaroitukset:

- Älä anna laikan juuttua paikalleen äläkä käytä liiallista painetta. Älä yritä tehdä liian syvää uraa.** Laikan liiallinen painaminen lisää kuorimitusta ja laikan vääntymis- tai juuttumisriskiä, jolloin seurauksena voi olla takapotku tai laikan rikkoutuminen.
- Älä aseta samaan linjaan pyörivän laikan taakse.** Kun laikka käytettäessä liikkuu käyttäjästä poispäin, mahdollinen takapotku voi sysätä pyörivän laikan ja sähkötyökalun suoraan käyttäjää kohti.
- Kun laikka takertelee tai työ joudutaan jostakin syystä keskeyttämään, katkaise laitteesta virta ja pidä sitä paikoillaan liikkumatta, kunnes laikka on täysin pysähtynyt. Älä koskaan yritä irrottaa laikkaa urasta, kun laikka vielä pyörii, koska seurauksena voi olla takapotku.** Selvitä laikan takertelun syy ja poista juuttumisen aiheut-misen syy.
- Älä käynnistä laitetta niin, että se on kiinni työkappaleessa.** Anna laikan savuttaa täysi pyörimisnopeus ja työnnä laikka sitten varo-vasti leikkuu-uraan. Jos työkalu käynnistetään niin, että se on kiinni työkappaleessa, laikka voi juuttua, työntyä taaksepäin tai ponnahtaa ylös.

- Vähennä laikan takertelu- ja takapotkuriskiä tukemalla paneelit ja ylisuuret työkappaleet huolellisesti. Suurikokoiset työkappaleet pyrkivät taipumaan omasta painostaan. Työkappale on tuettava laikan kummaltakin puolelta leikkuulinjan vierestä ja työkappaleen reunoilta.
- Ole erityisen varovainen, kun teet aukkoja seinäin tai muihin umpinaisiin rakenteisiin. Laikka voi katkaista kaasu- tai vesiputken tai sähköjohdot ja osua takapotkun aiheuttaviin esteisiin.

Hiekkapaperihiontaa koskevat erikoismääräykset:

- Älä käytä ylikokoista hiomalaikkapaperia. Noudata hiekkapaperin valinnassa valmistajan suosituksia. Hiomatytynyn ulkopuolelle ulottuva hiekkapaperi voi revetä ja aiheuttaa takertelua, laikkavaurioita tai takapotkun.

Teräsharjausta koskevat erityiset varoitukset:

- Ota huomioon, että harjaksia irtoaa harjasta myös normaalikäytössä. Älä kuormita harjaksia turhaan painamalla liian voimakkaasti. Harjakset voivat helposti tunkeutua kevyen vaate-tuksen ja/tai ihon läpi.
- Jos harjauksessa suositellaan käytettäväksi suojusta, älä anna harjauslaikan tai harjan koskettaa suojuksen. Harjauslaikan tai harjan halkaisija voi kasvaa harjituksen ja keskipakoisvoiman vaikutuksesta.

Turvallisuutta koskevat lisävaroitukset:

- Jos käytät hiomalaikkaa, jossa on upotettu keskiö, varmista, että laikka on lasikuituvahvisteinen.
- ÄLÄ KOSKAAN käytä tässä hiomakoneessa kiven hiontaan tarkoitettuja kuppilaikkoja. Hiomakoneetta ei ole suunniteltu tämän tyyppisten laikkojen käyttöön. Vääräntyyppisten laikkojen käyttö voi aiheuttaa vakavan henkilövahingon.
- Varo, ettet vahingoita karaa, laippaa (erityisesti asennuspintaa) tai lukkomutteria. Näiden osien vioittuminen voi aiheuttaa laikan rikkoutumisen.
- Varmista, ettei laikka kosketa työkappaleeseen, ennen kuin virta on kytketty päälle kytkimestä.
- Anna koneen käydä jonkin aikaa, ennen kuin alat työstää työkappaletta. Varo, ettei se värähtele tai tärise, mikä voi olla merkki siitä, että laikka on huonosti asennettu tai tasapainotettu.
- Käytä hiontaan siihen tarkoitettua laikan pintaa.
- Älä jätä työkalua käymään itseksensä. Käytä laitetta vain silloin, kun pidät sitä kädessä.
- Älä kosketa työkappaletta heti käytön jälkeen, sillä se saattaa olla erittäin kuuma ja polttaa ihoa.
- Noudata valmistajan ohjeita laikkojen oikeasta asennuksesta ja käytöstä. Käsittele laikkoja varoen ja säilytä niitä huolella.
- Älä käytä erillisiä supistusholkkeja tai sovitimia isoaukkoisten hiomalaikkojen kiinnitykseen.
- Käytä ainoastaan tälle työkalulle tarkoitettuja laippoja.

- Kun käytät kierreerillä varustetuille laikoille tarkoitettua työkalua, varmista, että laikan kierteet vastaavat pituudeltaan karan pituutta.
- Varmista, että työkappale on tukevasti paikoillaan.
- Ota huomioon, että laikka jatkaa pyörimistään vielä sen jälkeen, kun virta on katkaistu.
- Jos yötölä on erittäin kuuma ja kostea tai siinä esiintyy runsaasti sähköä johtavaa pölyä, varmista turvallisuus käyttämällä vikavirtakatkaisinta (30 mA).
- Älä hio tai leikkaa työkalulla mitään asbestia sisältäviä materiaaleja.
- Käytä aina paikallisten määräysten edellyttämää pölyä keräävää laikusuojasta.
- Katkaisulaikka ei saa painaa sivusuunnassa.
- Älä pidä kankaisia työkasineita käytön aikana. Kankaisista käsineistä irtoavat kuidut voivat päätyä työkalun sisään ja vaurioittaa työkalua.

SÄILYTÄ NÄMÄ OHJEET.

VAROITUS: ÄLÄ anna työkalun helppokäyttöisyyden (toistuvan käytön aikaansaama) johtaa sinua väärään turvallisuuden tunteeseen niin, että laiminlyöt työkalun turvaohjeiden noudattamisen. VÄÄRINKÄYTTÖ tai tässä käyttöohjeessa ilmoitettujen turvamääräysten laiminlyönti voi aiheuttaa vakavia henkilövahinkoja.

Akkupakettia koskevia tärkeitä turvaohjeita

- Ennen akun käyttöönottoa tutustu kaikkiin laturissa (1), akussa (2) ja akkukäyttöisessä tuotteessa (3) oleviin varoitusteksteihin.
- Älä pura akkua.
- Jos akun toiminta-aika lyhenee merkittävästi, lopeta akun käyttö. Seurauksena voi olla ylikuumentuminen, palovammoja tai jopa räjähdys.
- Jos akkunen pääsee silmiin, huuhtele puhtaalla vedellä ja hakeudu välittömästi lääkärin hoitoon. Akkunen voi aiheuttaa näön menetyksen.
- Älä oikosulje akkua.
 - Älä koske akun napoihin millään sähköä johtavalla materiaalilla.
 - Vältä akun oikosulkemista äläkä säilytä akkua yhdessä muiden metalliesineiden, kuten naulojen, kolikoiden ja niin edelleen kanssa.
 - Älä aseta akkua alttiiksi vedelle tai sateelle.
- Oikosulku voi aiheuttaa virtapiikin, ylikuumentumista, palovammoja tai laitteen rikkoontumisen.
- Älä säilytä työkalua ja akkua paikassa, jossa lämpötila voi nousta 50 °C:een tai sitäkin korkeammaksi.
- Älä hävitä akkua polttamalla, vaikka se olisi pahoin vaurioitunut tai täysin loppuun kulunut. Avotuli voi aiheuttaa akun räjähtämisen.

8. **Varo kolhimasta tai pudottamasta akkua.**
9. **Älä käytä viallista akkua.**
10. **Sisältyviä litium-ioni-akkuja koskevat vaarallisten aineiden lainsäädännön vaatimukset.** Esimerkiksi kolmansien osapuolten huolintaliikkeiden tulee kaupallisissa kuljetuksissa noudattaa pakkaamista ja merkintöjä koskevia erityisvaatimuksia. Lähettävän tuotteen valmistelu edellyttää vaarallisten aineiden asiantuntijan neuvontaa. Huomioi myös mahdollisesti yksityiskohtaisemmat kansalliset määräykset Akun avoimet liittimet tulee suojata teipillä tai suojuksella ja pakkaaminen tulee tehdä niin, ettei akku voi liikkua pakkauksessa.
11. **Hävitä akku paikallisten määräysten mukaisesti.**
12. **Käytä akkuja vain Makitan ilmoittamien tuotteiden kanssa.** Akkujen asentaminen yhteensopimattomiin tuotteisiin voi aiheuttaa tulipalon, liiallisen ylikuumentumisen, räjähdyksen tai akkunestevuotoja.

SÄILYTÄ NÄMÄ OHJEET.

⚠HUOMIO: Käytä vain alkuperäisiä Makita-akkuja. Muiden kuin aitojen Makita-akkujen, tai mahdollisesti muutettujen akkujen käyttö voi johtaa akun murtumiseen ja aiheuttaa tulipaloja, henkilö- ja omaisuusvahinkoja. Se mitätöi myös Makita-työkalun ja -laturin Makita-takuun.

Vihjeitä akun käyttöiän pidentämiseksi

1. Lataa akku ennen kuin se purkautuu täysin. Lopeta aina työkalun käyttö ja lataa akku, jos huomaat työkalun tehon vähenevän.
2. Älä koskaan lataa uudestaan täysin ladattua akkua. Yliilataaminen lyhentää akun käyttöikä.
3. Lataa akku huoneen lämpötilassa välillä 10 °C - 40 °C. Anna kuuman akun jäähtyä ennen lataamista.
4. Lataa akkupaketti, jos et käytä sitä pitkään aikaan (yli kuusi kuukautta).

Langatonta yksikköä koskevat tärkeät turvallisuusohjeet

1. Älä pura tai peukaloi langatonta yksikköä.
2. Pidä langaton yksikkö lasten ulottumattomissa. Jos tuote niellään vahingossa, ota välittömästi yhteys lääkäriin.
3. Käytä langatonta yksikköä vain Makitan työkalujen kanssa.
4. Älä altista langatonta yksikköä sateelle tai kosteisiin olosuhteisiin.
5. Älä käytä langatonta yksikköä paikassa, jossa lämpötila voi nousta yli 50 °C.
6. Älä käytä langatonta yksikköä paikassa, jonka läheisyydessä on lääketieteellisiä instrumentteja, kuten sydämentahdistajia jne.

7. Älä käytä langatonta yksikköä paikassa, jonka läheisyydessä on automatisoituja laitteita. Toiminnallisena automatisoidut laitteet voivat aiheuttaa käyttöhäiriöitä tai virheitä.
8. **Langaton yksikkö voi muodostaa käyttäjälle vaarattomia sähkömagneettikenttiä (EMF).**
9. **Langaton yksikkö on tarkkuuslaite. Varo kolhimasta tai pudottamasta langatonta yksikköä.**
10. **Vältä koskettelemasta langattoman yksikön liittintä paljain käsin tai metallisilla materiaaleilla.**
11. **Irrota akku aina laitteesta langattoman yksikön asentamisen aikana.**
12. **Avattaessa uran kantta, vältä paikkoja missä pöly ja vesi voivat päästä uraan. Pidä aina uran aukko puhtaana.**
13. **Aseta langaton yksikkö aina oikeassa suunnassa.**
14. **Älä paina langattoman yksikön langatonta aktivointipainiketta liian kovaa ja/tai paina painiketta teräväreunaisilla kohteilla.**
15. **Sulje aina uran kansi käytön aikana.**
16. **Älä irrota langatonta yksikköä urasta laitteen virransyötön aikana.** Muussa tapauksessa voi seurauksena olla langattoman yksikön käyttöhäiriöitä.
17. **Älä irrota langattoman yksikön tarraa.**
18. **Älä kiinnitä mitään tarroja langattomaan yksikköön.**
19. **Älä jätä langatonta yksikköä paikkaan, missä on staattista sähköä tai sähkökohinahäiriöitä voi muodostua.**
20. **Älä jätä langatonta yksikköä äärimmäisiin lämpötiloihin, kuten auton istuimelle auringonpaisteeseen.**
21. **Älä jätä langatonta yksikköä paikkaan, missä on pölyä tai jauheita tai syövyttäviä kaasuja voi muodostua.**
22. **Äkillinen lämpötilan vaihtelu voi kostuttaa langattoman yksikön. Älä käytä langatonta yksikköä ennen kuin kaste on täysin kuivunut.**
23. **Puhdista langaton yksikkö pyyhkimällä se kevyesti kuivalla liinalla. Älä käytä puhdistamiseen bensiiniä, tinneriä, johtavaa rasvaa tai vastaavaa.**
24. **Säilytä langatonta yksikköä mukana toimituksessa kotelossa tai ei staattisessa säiliössä.**
25. **Älä liitä muita, kuin Makitan langattomia yksiköitä laitteen uraan.**
26. **Älä käytä laitetta uran kannen ollessa vaurioitunut. Uraan pääsevä vesi, pöly ja lika voivat aiheuttaa käyttöhäiriöitä.**
27. **Älä vedä ja/tai väännä uran kantta enempää kuin on tarpeen. Aseta kansi takaisin jos se irtoaa laitteesta.**
28. **Vaihda uran kansi sen ollessa kadonnut tai vaurioitunut.**

SÄILYTÄ NÄMÄ OHJEET.

TOIMINTOJEN KUVAUS

▲HUOMIO: Varmista aina ennen säätöjä ja tarkastuksia, että työkalu on sammutettu ja akkupaketti irrotettu.

Akun asentaminen tai irrottaminen

▲HUOMIO: Sammuta työkalu aina ennen akun kiinnittämistä tai irrottamista.

▲HUOMIO: Pidä työkalusta ja akusta tiukasti kiinni, kun irrotat tai kiinnität akkua. Jos akkupaketti tai työkalu putoaa, ne voivat vaurioitua tai aiheuttaa tapaturman.

► **Kuva1:** 1. Punainen merkkivalo 2. Painike 3. Akkupaketti

Irrota akku painamalla akun etupuolella olevaa painiketta ja vetämällä akku ulos työkalusta.

Akku liitetään sovittamalla akun kieleke rungon uraan ja työntämällä se sitten paikoilleen. Työnnä akku pohjaan asti niin, että kuulet sen napsahtavan paikoilleen. Jos painikkeen yläpuolella näkyy punainen ilmaisin, akku ei ole lukkiutunut täysin paikoilleen.

▲HUOMIO: Työnnä akku aina pohjaan asti, niin että punainen ilmaisin ei enää näy. Jos akku ei ole kunnolla paikallaan, se voi pudota työkalusta ja aiheuttaa vammoja joko sinulle tai sivullisille.

▲HUOMIO: Älä käytä voimaa akun asennuksessa. Jos akku ei liu'u paikalleen helposti, se on väärässä asennossa.

Akun jäljellä olevan varaustason ilmaisin

Vain akkupaketeille ilmaisimella

► **Kuva2:** 1. Merkkivalot 2. Tarkistuspainike

Painamalla tarkistuspainiketta saat näkyviin akun jäljellä olevan varauksen. Merkkivalot palavat muutaman sekunnin ajan.

Merkkivalot			Akussa jäljellä olevan varaus
Palaa	Pois päältä	Viilkuu	
■	□	▤	75% - 100%
■	■	□	50% - 75%
■	■	□	25% - 50%
■	□	□	0% - 25%
▤	□	□	Lataa akku.
■	■	□	Akussa on saatanut olla toimintahäiriö.
□	□	■	

HUOMAA: Ilmoitettu varaustaso voi erota hieman todellisesta varaustasosta sen mukaan, millaisissa oloissa ja missä lämpötilassa laitetta käytetään.

Akun jäljellä olevan varaustason ilmaisin

Maakohtainen

Kun työkaluun kytketään virta, akun merkkivalo näyttää akun jäljellä olevan varauksen.

► **Kuva3:** 1. Akun merkkivalo

Akun jäljellä oleva varaustaso näkyy seuraavassa taulukossa esitetyllä tavalla.

Akun merkkivalon tila			Akussa jäljellä oleva varaus
Päällä	Pois päältä	Viilkuu	
			50% - 100%
			20% - 50%
			0% - 20%
			Lataa akku

Työkalun/akun suojausjärjestelmä

Työkalu on varustettu työkalu/akun suojausjärjestelmällä. Tämä järjestelmä pidentää työkalun ja akun käyttöikää katkaisemalla automaattisesti moottorin virran. Työkalu pysähtyy automaattisesti kesken käytön, jos työkalussa tai akussa ilmenee jokin seuraavista tilanteista:

Ylikuormitussuoja

Kun työkalua käytetään tavalla, joka saa sen kuluttamaan epätavallisen suuren määrän virtaa, työkalu pysähtyy automaattisesti ilman mitään merkkivaloa tai ilmaisinta. Katkaise tässä tilanteessa työkalusta virta ja lopeta ylikuormitustilan aiheuttanut käyttö. Käynnistä sitten työkalu uudelleen kytkemällä siihen virta.

Ylikuumentussuoja

Kun työkalu ylikuumentuu, se pysähtyy automaattisesti ja akun merkkivalo ilmaisee tilan seuraavasti: Anna silloin työkalun jäähtyä, ennen kuin kytket virran työkaluun uudelleen.

Päällä	Viilkuu

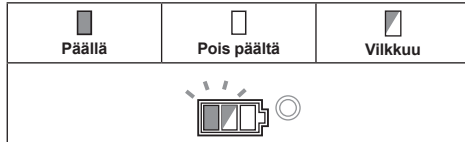
Jos työkalu ei käynnisty, akku voi olla ylikuumentunut. Anna silloin akun jäähtyä, ennen kuin kytket virran työkaluun uudelleen.

Ylipurkautumisuoja

Kun akun varaus on riittämätön, työkalu pysähtyy automaattisesti. Irrota silloin akku työkalusta ja lataa se.

Suojalukituksen vapauttaminen

Kun suojajärjestelmä toimii toistuvasti, työkalu lukittuu ja akun merkkivalo ilmaisee tilan seuraavasti:
Tässä tilassa työkalu ei käynnisty, vaikka sen virta katkaistaan ja kytketään. Voit vapauttaa suojalukituksen seuraavasti: irrota akku, aseta se akkulaturiin ja odota, että se latautuu kokonaan.



Akselilukko

Kun kiinnität tai irrotat lisälaitteita, estä a pyörimistä painamalla lukitusta.

► **Kuva4:** 1. Akselilukko

HUOMAUTUS: Älä koskaan kytke lukkoa päälle n pyöriessä. Työkalu voi rikkoutua.

Kytkimen käyttäminen

▲HUOMIO: Varmista ennen akun asentamista työkaluun, että kytkinvipu toimii oikein ja palautuu "OFF"-asentoon, kun se vapautetaan.

▲HUOMIO: Älä vedä kytkinvivusta voimakkaasi, ellet samalla paina lukituksen vapautusvipua. Kytkin voi rikkoutua.

▲HUOMIO: Käyttäjän turvallisuuden vuoksi laitteessa on lukitusvipu, joka estää sen käynnistämisen vahingossa. ÄLÄ koskaan käytä laitetta, jos se käynnistyy pelkästään liipaisinkytkintä painamalla ilman, että lukitusvipua käytetään. Toimita laite valtuutettuun huoltoon korjattavaksi ENNEN kuin jatkat sen käyttöä.

▲HUOMIO: ÄLÄ koskaan teippaa tai ohita lukitusvipua.

Työkalussa on lukituksen vapautusvipu, joka estää kytkinvivun painamisen vahingossa.

Käynnistä työkalu vetämällä lukituksen vapautusvipua itseesi päin ja vetämällä sitten kytkinvipua.

Pysäytä työkalu vapauttamalla kytkinvipu.

► **Kuva5:** 1. Lukituksen vapautusvipu 2. Kytkinvipu

Nopeudensääätöpyörä

Laitteen pyörimisnopeutta voidaan muuttaa kiertämällä nopeudensääätöpyörää. Alapuolella olevassa taulukossa kuvataan sääätöpyörän numerot ja vastaavat pyörimisnopeudet.

► **Kuva6:** 1. Nopeudensääätöpyörä



Numero	Nopeus
1	3 000 min ⁻¹
2	4 500 min ⁻¹
3	6 000 min ⁻¹
4	7 500 min ⁻¹
5	8 500 min ⁻¹

HUOMAUTUS: Jos laitetta käytetään jatkuvasti pitkään alhaisella nopeudella, moottori voi ylikuormittua ja aiheuttaa laitteen toimintahäiriön.

HUOMAUTUS: Jos nopeudensääätöpyörää on muutettava lukemasta "5" lukemaan "4", kierrä nopeudensääätöpyörää vastapäivään. Älä kierrä nopeudensääätöpyörää väkisin.

Automaattinen nopeudenvaihtotoiminto

► **Kuva7:** 1. Tilan merkkivalo

Tilan merkkivalon tila	Toimintatila
	Suurenopeustila
	Suuren vääntömomentin tila

Tässä työkalussa on "suuren nopeuden tila" ja "suuren vääntömomentin tila". Se muuttaa toimintatilaa automaattisesti kuormituksen mukaan. Kun toimintatilan merkkivalo syttyy käytön aikana, työkalu on suuren vääntömomentin tilassa.

Vahinkokäynnistyksen estotoiminto

Vaikka kytkinvipua painettaisiin akun asennuksen aikana, työkalu ei käynnisty. Kun haluat käynnistää työkalun, vapauta ensin kytkinvipu. Vedä sitten lukituksen vapautusvipua ja paina kytkinvipua.

Elektroninen vääntömomentin ohjaustoiminto

Työkalu tunnistaa sähköisesti tilanteet, joissa laikka tai lisälaitte voi olla vaarassa juuttua. Silloin työkalu sammuu automaattisesti ja estää akselin pyörimisen (se ei estä takapotkua).

Voit käynnistää työkalun uudelleen sammuttamalla sen ensin, poistamalla synn äkilliseen pyörimisnopeuden laskuun ja käynnistämällä työkalun.

Pehmeä käynnisty

Pehmeä käynnistystoiminto vaimentaa käynnistysnykäystä.

Sähköjarru

Mekaaninen jarru aktivoituu työkalun virran katkeamisen jälkeen.

Jarru ei toimi, jos virtalähteen virta katkaistaan, esimerkiksi jos akku irrotetaan vahingossa, mutta laitteen virtakytkin on päällä.

KOKOONPANO

⚠HUOMIO: Varmista aina ennen säätöjä ja tarkastuksia, että työkalu on sammutettu ja akku-paketti irrotettu.

Sivukahvan asentaminen (kahva)

⚠HUOMIO: Varmista aina ennen käyttöä, että sivukahva on tukevasti paikoillaan.

Kiinnitä sivukahva koneeseen kuvan osoittamalla tavalla.
► Kuva8

Laikan suojuksen kiinnittäminen ja irrottaminen (upotetulla navalla varustettu laikka, lamellilaikka, joustava laikka, teräsharjalaikka / hiova katkaisulaikka, timanttilaikka)

⚠VAROITUS: Jos käytössä on upotetulla navalla varustettu hiomalaikka, lamellilaikka, joustava laikka tai teräsharjalaikka, laikan suojuksen kiinnitettävä työkaluun niin, että suojuksen umpinainen puoli tulee aina käyttäjää kohti.

⚠VAROITUS: Varmista hiomakatkaisu-/timanttilaikkaa käyttäessäsi, että käytät ainoastaan katkaisulaikoille tarkoitettua erikoislaikansuojusta.

(Joissakin Euroopan maissa voidaan käyttää timanttilaikan kanssa tavallista suojusta. Noudata oman maasi määräyksiä.)

Lukitusruuvi-tyyppisillä laikkasuojuksilla varustetulle työkalulle

Kiinnitä laikan suojuksen kiinnityspannan ulokkeet tulevat laakerikotelon lovien kohdalle. Käännä laikan suojuksen sellaiseen asentoon, jossa se suojaa käyttäjää työn vaatimusten mukaisesti. Varmista ruuvien kiristäminen tiukkaan.

► **Kuva9:** 1. Laikan suojuksen 2. Laakeripesä 3. Ruuvi

Kiristysruuvi-tyyppisillä laikkasuojuksilla varustetulle työkalulle

Löysää ruuvi ja vedä vipua nuolen osoittamaan suuntaan. Kiinnitä laikan suojuksen kiinnityspannan ulokkeet tulevat laakerikotelon lovien kohdalle. Käännä laikan suojuksen sellaiseen asentoon, jossa se suojaa käyttäjää työn vaatimusten mukaisesti.

► **Kuva10:** 1. Laikan suojuksen 2. Laakeripesä 3. Ruuvi 4. Vipu

Vedä vipua nuolen osoittamaan suuntaan. Kiristä sitten laikan suojuksen ruuvi. Varmista ruuvien kiristäminen tiukkaan. Laikan suojuksen asennuskulmaa voidaan säätää vivulla.

► **Kuva11:** 1. Ruuvi 2. Vipu

Irrota laikan suojuksen päinvastaisessa järjestyksessä.

Upotetulla navalla varustetun laikan tai lamellilaikan asentaminen ja irrottaminen

Lisävaruste

⚠VAROITUS: Jos käytössä on upotetulla navalla varustettu laikka tai lamellilaikka, laikan suojuksen kiinnitettävä työkaluun niin, että suojuksen umpinainen puoli tulee aina käyttäjää kohti.

⚠HUOMIO: Varmista, että sisälaipan asennusosa sopii upotetulla navalla varustetun laikan/lamellilaikan sisähalkaisijaan täydellisesti. Sisälaipan asentaminen väärälle puolelle saattaa aiheuttaa vaarallista ääntä.

Asenna sisälaippa karaan.

Varmista, että sisälaipan upotettu kohta on vasten karaan alaosan suoraa osaa.

Sovita upotetulla navalla varustettu laikka/lamellilaikka sisälaipalle ja kierrä lukkomutteri karaan.

► **Kuva12:** 1. Lukkomutteri 2. Upotetulla navalla varustettu laikka 3. Sisälaippa 4. Asennusosa

Kiristä lukkomutteri painamalla akselilukkoa voimakkaasti niin, ettei kara pääse pyörimään, ja kiristä lukkomutteri sitten lukkomutteriavaimella myötäpäivään kääntämällä.

► **Kuva13:** 1. Lukkomutteriavain 2. Akselilukko

Laikka irrotetaan päinvastaisessa järjestyksessä.

Joustolaikan kiinnitys ja irrotus

Lisävaruste

⚠VAROITUS: Käytä aina mukana toimitettua suojusta, kun joustolaikka on kiinni työkalussa. Laikka voi hajota käytössä, joten suojuksen vähentää henkilövahingon riskiä.

► **Kuva14:** 1. Lukkomutteri 2. Joustolaikka 3. Varatyyny 4. Sisälaippa

Noudata upotetulla navalla varustettua laikkaa koskevia ohjeita, mutta käytä lisäksi laikan päällä varatyynyä. Katso asennusjärjestys tämän ohjeen lisävarustesivulta.

Hiomalaikan asentaminen tai irrottaminen

Lisävaruste

HUOMAA: Käytä vain tässä ohjekirjassa määritettyjä hiomakoneita. Ne on ostettava erikseen.

100 mm malli

► **Kuva15:** 1. Hionnan lukkomutteri 2. Hiomalaikka 3. Kumityyny 4. Sisälaippa

1. Asenna sisälaippa karaan.
2. Asenna kumityyny karaan.

3. Sovita laikka kumityynyyn ja kiinnitä hiomalaikan lukkomutteri karaan.

4. Pidätä karaa akselilukolla ja kiristä hiomalaikan lukkomutteriä myötöpäivään lukkomutteriavaimella. Irrota laikka päivastaisessa järjestyksessä.

115 mm / 125 mm malli

► **Kuva16:** 1. Hionnan lukkomutteri 2. Hiomalaikka 3. Kumityyny

1. Asenna kumityyny karaan.
2. Sovita laikka kumityynyyn ja kiinnitä hiomalaikan lukkomutteri karaan.
3. Pidätä karaa akselilukolla ja kiristä hiomalaikan lukkomutteriä myötöpäivään lukkomutteriavaimella. Irrota laikka päivastaisessa järjestyksessä.

Pölynimurin kytkeminen

Lisävaruste

VAROITUS: Älä koskaan imuroi hionnasta/sahauksesta/hiomisesta muodostuvia metallihiukkasia. Näiden toimintojen aikana muodostuvat metallihiukkaset ovat niin kuumia, että ne voivat sytyttää pölynimurin sisäpuolella olevan pölyn ja syttämisen palamaan.

Kivimateriaalin sahaamisesta muodostuvan pölyisen ympäristön välttämiseksi, käytä pölyä keräävää laikan suojusta ja pölynimuria. Katso pölyn keräävän laikan suojuksen käyttöohjeesta lisätietoja sen asentamisesta ja käytöstä.

► **Kuva17:** 1. Pölyä keräävä laikan suojus 2. Pölynimurin letku

TYÖSKENTELY

VAROITUS: Älä koskaan pakota konetta. Koneen oma paino riittää. Pakottaminen ja liiallinen painaminen voi aiheuttaa vaarallisen laikan rikkoutumisen.

VAROITUS: Vaihda laikka AINA, jos kone pääsee putoamaan hionnan aikana.

VAROITUS: ÄLÄ KOSKAAN iske tai kolhi laikkaa työkalupaleeseen.

VAROITUS: Vältä laikan pomppimista ja jumittumista varsinkin silloin, kun työstät nurkkia, teräviä reunoja ja niin edelleen. Seurauksena voi olla hallinnan menetys ja takapotku.

VAROITUS: ÄLÄ KOSKAAN asenna koneeseen puun leikkaamiseen tarkoitettuja teriä tai muita sahanteriä. Kulmahiomakoneessa käytettynä nämä terät aiheuttavat usein takapotkun ja hallinnan menetyksen, jolloin seurauksena voi olla henkilövahinko.

VAROITUS: Älä koskaan käynnistä konetta, kun se koskettaa työkalupaleeseen, koska tämä voi aiheuttaa käyttäjälle vammoja.

VAROITUS: Käytä aina suojalaseja tai kasvosuojusta käytön aikana.

VAROITUS: Käytön jälkeen katkaise koneesta aina virta ja odota, kunnes laikka on täysin pysähtynyt ennen kuin lasket koneen käsistä.

VAROITUS: Ota työkalusta AINA tukeva ote toisen käden ollessa rungossa ja toisen käden ollessa sivukahvassa (kahva).

Hionta

► **Kuva18**

Käynnistä kone ja vie sitten laikka työkalupaleeseen. Pidä yleisesti laikkaa noin 15°:een kulmassa työkalupaleen pintaan nähden.

Kun ajat sisään uuttaa laikkaa, älä käytä hiomakonetta hioaksesi eteenpäin, koska tällöin laikka voi leikata työkalupaleeseen. Sitten kun laikan reuna on pyöristynyt käytössä, konetta voidaan käyttää sekä eteenpäin että taaksepäin.

Hiovan katkaisulaikan/timanttilaikan käyttäminen

Lisävaruste

VAROITUS: Varmista hiomakatkaisu-/timanttilaikkaa käyttäessäsi, että käytät ainoastaan katkaisulaikoille tarkoitettua erikoislaikansuojusta.

(Joissakin Euroopan maissa voidaan käyttää timanttilaikan kanssa tavallista suojusta. Noudata oman maasi määräyksiä.)

VAROITUS: ÄLÄ KOSKAAN käytä katkoloikkaa sivun hiontaan.

VAROITUS: Älä anna laikan juuttua kiinni tai työnnä sitä liiallisella voimalla. Älä yritä tehdä liian syvää uraa. Laikan liiallinen painaminen voi aiheuttaa laikan kiertymisen tai juuttumisen, takapotkun, laikan rikkoutumisen tai moottorin ylikuumentumisen.

VAROITUS: Älä aloita leikkaamista työkalu kiinni työstettävässä kappaleessa. Anna laikan saavuttaa täysi nopeus ja aseta se varovasti leikattavaan kohtaan työntämällä työkalua eteenpäin työstettävän kappaleen pinnan yli. Laikka saattaa juuttua, nousta ylös tai potkaista takaisin, jos työkalu käynnistetään kiinni työstettävässä kappaleessa.

VAROITUS: Leikkaustoiminnan aikana, älä koskaan vaihda laikan kulmaa. Jos sijoitat katkaisulaikkaan sivupainetta (kuten hiomisen aikana), se voi aiheuttaa laikan murtumisen ja katkeamisen, mikä voi aiheuttaa henkilövahingon.

VAROITUS: Timanttilaikkaa on pidettävä koh-tisuorassa leikattavaan materiaaliin nähden.

► **Kuva19:** 1. Lukkomutteri 2. Hiova katkaisulaikka/timanttilaikka 3. Sisälaippa 4. Hiovan katkaisulaikan/timanttilaikan suojus

Noudata asennuksessa upotetulla navalla varustetun laikan ohjeita.

Sisälaipan ja lukkomutterin kiinnityssuunta vaihtelee laikan tyyppiin ja paksuuden mukaan.

Katso yksityiskohtia seuraavista kuvista.

100 mm malli

Hiovan katkaisulaikan asennus:

► **Kuva20:** 1. Lukkomutteri 2. Hiova katkaisulaikka (ohuempi kuin 4 mm) 3. Hiova katkaisulaikka (4 mm tai paksumpi) 4. Sisälaippa

Timanttilaikan asennus:

► **Kuva21:** 1. Lukkomutteri 2. Timanttilaikka (ohuempi kuin 4 mm) 3. Timanttilaikka (4 mm tai paksumpi) 4. Sisälaippa

115 mm / 125 mm malli

Hiovan katkaisulaikan asennus:

► **Kuva22:** 1. Lukkomutteri 2. Hiova katkaisulaikka (ohuempi kuin 4 mm) 3. Hiova katkaisulaikka (4 mm tai paksumpi) 4. Sisälaippa

Timanttilaikan asennus:

► **Kuva23:** 1. Lukkomutteri 2. Timanttilaikka (ohuempi kuin 4 mm) 3. Timanttilaikka (4 mm tai paksumpi) 4. Sisälaippa

Teräskuppiharjan käyttö

Lisävaruste

⚠️HUOMIO: Tarkista harjan toiminta käyttämällä työkalua ilman kuormitusta. Varmista, ettei kukaan ole harjan tiellä.

⚠️HUOMIO: Älä käytä harjaa, jos se on vaurioitunut tai epätasapainossa. Vaurioituneen harjan käyttäminen voi aiheuttaa loukkaantumisvaaran katkenneiden harjasten takia.

► **Kuva24:** 1. Teräskuppiharja

Irrota akku työkalusta ja käännä työkalu ylösalaisin, jotta pääset hyvin käsiksi karaan. Poista karassa mahdollisesti olevat lisävarusteet. Kierrä teräskuppiharja karaan ja kiristä se työkalun mukana toimitettavalla avaimella.

HUOMAUTUS: Vältä liiallista painamista, koska se voi aiheuttaa harjasten liiallista taipumista harjaa käytettäessä. Se voi aiheuttaa ennenaikaisen rikkoutumisen.

Teräsharjalaikan käyttäminen

Lisävaruste

⚠️HUOMIO: Tarkista teräsharjalaikan toiminta käyttämällä työkalua ilman kuormitusta. Varmista, ettei kukaan ole teräsharjalaikan tiellä.

⚠️HUOMIO: Älä käytä teräsharjalaikkaa, jos se on vaurioitunut tai epätasapainossa. Vaurioituneen teräsharjalaikan käyttäminen voi aiheuttaa loukkaantumisvaaran katkenneiden harjasten takia.

⚠️HUOMIO: Käytä teräsharjalaikan kanssa AINA suojusta. Varmista, että laikka mahtuu suojuksen sisäpuolelle. Laikka voi hajota käytössä, joten suojus vähentää henkilövahingon riskiä.

► **Kuva25:** 1. Teräsharjalaikka

Irrota akku työkalusta ja käännä työkalu ylösalaisin, jotta pääset hyvin käsiksi karaan.

Poista karassa mahdollisesti olevat lisävarusteet.

Kiinnitä teräsharjalaikka karaan ja kiristä se avaimilla.

HUOMAUTUS: Vältä liiallista painamista, koska se voi aiheuttaa harjasten liiallista taipumista harjalaikkaa käytettäessä. Se voi aiheuttaa ennenaikaisen rikkoutumisen.

LANGATON AKTIVOINTITOIMINTO

Vain malli DGA418/DGA468/DGA518

Mitä langattomalla aktivointitoiminnolla voi tehdä

Langaton aktivointitoiminto mahdollistaa puhtaan ja miellyttävän käyttötoiminnan. Liittämällä tuettu pölynimuri laitteeseen, voit käyttää pölynimuria automaattisesti yhdessä laitteen kytkintoiminnon kanssa.

► **Kuva26**

Langattoman aktivointitoiminnon käyttämiseksi valmis-tele seuraavat kohdat:

- Langaton yksikkö
- Pölynimuri, joka tulee langatonta aktivointitoimintoa

Langattoman aktivointitoiminnon asetuksen kuvaus on seuraavana. Katso jokaisen osion yksityiskohtaiset ohjeet.

1. Langattoman yksikön asennus
2. Laitteen rekisteröinti pölynimurille
3. Langattoman aktivointitoiminnon aloitus

Langattoman yksikön asennus

⚠ HUOMIO: Aseta laite tasaisen ja vakaan pinnan päälle langattoman yksikön asentamiseksi.

HUOMAUTUS: Puhdista laitteesta pöly ja lika ennen langattoman yksikön asentamista. Pöly ja lika voivat aiheuttaa käyttöhäiriöitä päästessään langattoman yksikön uraan.

HUOMAUTUS: Staattisuudesta aiheutuvien käyttöhäiriöiden estämiseksi kosketa staattisesti purkautuvaa materiaalia, kuten laitteen metalliosia ennen langattoman yksikön nostamista.

HUOMAUTUS: Varmista aina langattoman yksikön asennuksen aikana, että langaton yksikkö on liitetty oikeassa suunnassa ja kansi on suljettu täysin kiinni.

1. Avaa laitteen kansi kuvan osoittamalla tavalla.

► **Kuva27:** 1. Kansi

2. Liitä langaton yksikkö uraan ja tämän jälkeen sulje kansi.

Langattoman yksikön liittämisen aikana kohdista kielekkeet uran loviosioihin.

► **Kuva28:** 1. Langaton yksikkö 2. Kieleke 3. Kansi 4. Loviosio

Avaa kansi hitaasti langattoman yksikön irrottamisen aikana. Kannen takana olevat koukut nostavat langattoman yksikön ylös samalla kun nostat kannen ylös.

► **Kuva29:** 1. Langaton yksikkö 2. Koukku 3. Kansi

Säilytä langatonta yksikköä mukana toimitetussa koteloissa tai ei staattisessa säiliössä sen irrottamisen jälkeen.

HUOMAUTUS: Käytä aina kannen takana olevia koukkuja langattoman yksikön irrottamisen aikana. Jos koukut eivät tartu langattomaan yksikköön, sulje kansi täysin kiinni ja avaa se hitaasti uudelleen.

Laitteen rekisteröinti pölynimurille

HUOMAA: Makita pölynimuri tukee langatonta aktivointitoimintoa, joka vaaditaan laiterekisteröintiä varten.

HUOMAA: Viimeistele langattoman yksikön asennus laitteeseen ennen laiterekisteröinnin aloittamista.

HUOMAA: Älä paina liipaisinkytkintä tai aseta pölynimurin virtakytkintä päälle laiterekisteröinnin aikana.

HUOMAA: Katso lisätietoja myös pölynimurin käyttöohjeesta.

Jos haluat aktivoida pölynimurin yhdessä laitteen kytkintöiminnon kanssa, viimeistele laiterekisteröinti ensin.

1. Asenna akut pölynimuriin ja laitteeseen.

2. Aseta pölynimurin valmiustilan kytkin asentoon "AUTO".

► **Kuva30:** 1. Valmiustilan kytkin

3. Paina pölynimurin langatonta aktivointipainiketta noin 3 sekunnin ajan, kunnes langattoman aktivoinnin merkkivalo vilkkuu vihreänä. Ja tämän jälkeen paina laitteen langatonta aktivointipainiketta samalla tavalla.

- **Kuva31:** 1. Langaton aktivointipainike
2. Langattoman aktivoinnin merkkivalo

Jos pölynimuri ja laite kytketään oikein, langattoman aktivoinnin merkkivalo palaa vihreänä 2 sekunnin ajan ja vilkkuu tämän jälkeen sinisenä.

HUOMAA: Langattoman aktivoinnin merkkivalo lopettaa vilkkumisen vihreänä 20 sekunnin kuluttua. Paina laitteen langatonta aktivointipainiketta samalla kun imurin langattoman aktivoinnin merkkivalo vilkkuu.

Jos langattoman aktivoinnin merkkivalo ei vilku vihreänä, paina langatonta aktivointipainiketta lyhyesti ja pidä sitä painettuna alas.

HUOMAA: Suoritettaessa kaksi tai useampaa laiterekisteröintiä yhdelle pölynimurille, lopeta laiterekisteröinti yksi kerrallaan.

Langattoman aktivointitoiminnon aloitus

HUOMAA: Viimeistele laiterekisteröinti pölynimurille ennen langatonta aktivointia.

HUOMAA: Katso lisätietoja myös pölynimurin käyttöohjeesta.

Kun laite on rekisteröity pölynimurille, pölynimuri toimii automaattisesti yhdessä laitteen kytkintöiminnon kanssa.

1. Langattoman yksikön asennus laitteeseen.

2. Kiinnitä pölynimurin letku laitteeseen.

► **Kuva32**

3. Aseta pölynimurin valmiustilan kytkin asentoon "AUTO".

► **Kuva33:** 1. Valmiustilan kytkin

4. Paina laitteen langatonta aktivointipainiketta lyhyesti. Langattoman aktivoinnin merkkivalo vilkkuu sinisenä.

► **Kuva34:** 1. Langaton aktivointipainike
2. Langattoman aktivoinnin merkkivalo

5. Paina laitteen liipaisinkytkintä. Tarkasta, onko pölynimuri käynnissä samalla kun liipaisinkytkintä pidetään painettuna.

Lopeta pölynimurin langaton aktivointi painamalla laitteen langatonta aktivointipainiketta.

HUOMAA: Laitteen langattoman aktivoinnin merkkivalo lopettaa vilkkumisen sinisenä, jos mitään toimintoa ei ole suoritettu 2 tunnin aikana. Tässä tapauksessa aseta pölynimurin valmiustilan kytkin asentoon "AUTO" ja paina uudelleen laitteen langatonta aktivointipainiketta.

HUOMAA: Pölynimuri käynnistyy/sammuu viiveellä. Käytössä on aikaviive kun pölynimuri tunnistaa laitteen kytkintöiminnon.



HUOMAA: Langattoman yksikön lähetysäisyyksyys voi vaihdella riippuen sijainnista ja ympäristön olosuhteista.

HUOMAA: Jos kaksi tai useampia laitteita rekisteröidään yhdelle pölynimurille, pölynimuri voi aloittaa toiminnan vaikka ei olisi painanut liipaisinkytkintä, koska toinen käyttäjä käyttää langatonta aktivointitoimintoa.

Langattoman aktiivoinnin merkkivalon tilan kuvaus

► Kuva35: 1. Langattoman aktiivoinnin merkkivalo

Langattoman aktiivoinnin merkkivalo osoittaa langattoman aktiivointitoiminnon tilan. Katso merkkivalon tilaa koskeva tarkoitus alapuolella olevasta taulukosta.

Tila	Langattoman aktiivoinnin merkkivalo				Kuvaus
	Väri	 Päällä	 Vilkkuu	Kesto	
Valmiustila	Sininen	<input checked="" type="checkbox"/>		2 tuntia	Pölynimurin langaton aktiivointi on käytettävissä. Merkkivalo sammuu automaattisesti jos mitään toimintaa ei ole suoritettu 2 tunnin aikana.
		<input type="checkbox"/>		Kun laite on käynnissä.	Pölynimurin langaton aktiivointi on käytettävissä ja laite on käynnissä.
Laiterekisteröinti	Vihreä	<input checked="" type="checkbox"/>		20 sekuntia	Valmis laiterekisteröintiä varten. Odottaa rekisteröintiä pölynimurilta.
		<input type="checkbox"/>		2 sekuntia	Laiterekisteröinti on valmis. Langattoman aktiivoinnin merkkivalo vilkkuu sinisenä.
Laiterekisteröinnin peruutus	Punainen	<input checked="" type="checkbox"/>		20 sekuntia	Valmis laiterekisteröinnin peruutukseen. Odottaa peruutusta pölynimurilta.
		<input type="checkbox"/>		2 sekuntia	Laiterekisteröinnin peruutus on valmis. Langattoman aktiivoinnin merkkivalo vilkkuu sinisenä.
Muut	Punainen	<input type="checkbox"/>		3 sekuntia	Langattomalle yksikölle syötetään virtaa ja langaton aktiivointitoiminto käynnistyy.
	Pois päältä	-		-	Pölynimurin langaton aktiivointi on pysäytetty.

Laiterekisteröinnin peruutus pölynimurille

Suorita seuraavat toimenpiteet peruuttaessasi laiterekisteröinnin pölynimurille.

1. Asenna akut pölynimuriin ja laitteeseen.
2. Aseta pölynimurin valmiustilan kytkin asentoon "AUTO".

► Kuva36: 1. Valmiustilan kytkin

3. Paina pölynimurin langatonta aktiivointipainiketta 6 sekunnin ajan. Langattoman aktiivoinnin merkkivalo vilkkuu vihreänä ja tämän jälkeen punaisena. Tämän jälkeen paina laitteen langatonta aktiivointipainiketta samalla tavalla.

► Kuva37: 1. Langaton aktiivointipainike 2. Langattoman aktiivoinnin merkkivalo

Jos peruutus suoritetaan oikein, langattoman aktiivoinnin merkkivalo palaa punaisena 2 sekunnin ajan ja vilkkuu tämän jälkeen sinisenä.

HUOMAA: Langattoman aktiivoinnin merkkivalo lopettaa vilkkumisen punaisena 20 sekunnin kuluttua. Paina laitteen langatonta aktiivointipainiketta samalla kun imurin langattoman aktiivoinnin merkkivalo vilkkuu. Jos langattoman aktiivoinnin merkkivalo ei vilku punaisena, paina langatonta aktiivointipainiketta lyhyesti ja pidä sitä painettuna alas.

Langattoman aktivointitoiminnon vianetsintä

Tarkista laite ensin itse, ennen kuin viet sen korjattavaksi. Jos ongelmaan ei löydy ratkaisua käyttöoppaasta, älä kuitenkaan yritä purkaa työkalua osiin. Vie ota sen sijaan yhteyttä Makita-huoltoliikkeeseen. Käytä korjaamiseen aina alkuperäisiä Makita-varaosia.

Epänormaali tila	Todennäköinen syy (toimintahäiriö)	Korjaus
Langattoman aktivoinnin merkkivalo ei pala/vilku.	Langatonta yksikköä ei ole asennettu laitteeseen. Langaton yksikkö on asennettu virheellisesti laitteeseen.	Asenna langaton yksikkö oikein.
	Langattoman yksikön liitäntä ja/tai ura on likainen.	Pyyhi langattoman yksikön liitäntä varovaisesti pölystä ja liasta ja puhdista ura.
	Laitteen langatonta aktivointipainiketta ei ole painettu.	Paina laitteen langatonta aktivointipainiketta lyhyesti.
	Pölynimurin valmiustilan kytkintä ei ole asetettu asentoon "AUTO".	Aseta pölynimurin valmiustilan kytkin asentoon "AUTO".
	Ei virransyöttöä	Syötä virtaa laitteelle ja pölynimurille.
Laiterekisteröintiä/laiterekisteröinnin peruutusta ei voi viimeistellä oikein.	Langatonta yksikköä ei ole asennettu laitteeseen. Langaton yksikkö on asennettu virheellisesti laitteeseen.	Asenna langaton yksikkö oikein.
	Langattoman yksikön liitäntä ja/tai ura on likainen.	Pyyhi langattoman yksikön liitäntä varovaisesti pölystä ja liasta ja puhdista ura.
	Pölynimurin valmiustilan kytkintä ei ole asetettu asentoon "AUTO".	Aseta pölynimurin valmiustilan kytkin asentoon "AUTO".
	Ei virransyöttöä	Syötä virtaa laitteelle ja pölynimurille.
	Virheellinen toiminta	Paina langatonta aktivointipainiketta lyhyesti ja suorita laiterekeröinti/peruutus uudelleen.
	Laite ja pölynimuri ovat kaukana toisistaan (lähetyalueen ulkopuolella).	Siirrä laite ja pölynimuri lähemmäksi toisiaan. Maksimilähetysetäisyys on noin 10 m, mutta se voi kuitenkin vaihdella olosuhteista riippuen.
	Ennen laiterekeröinnin/peruutuksen viimeistelyä; - laitteen liipaisinkytkintä on painettu tai; - pölynimurin virtakytkin on kytketty päälle.	Paina langatonta aktivointipainiketta lyhyesti ja suorita laiterekeröinti/peruutus uudelleen.
	Laiterekisteröintiä laitteelle tai pölynimurille ei ole viimeistely.	Suorita laiterekeröinti sekä laitteelle että pölynimurille samanaikaisesti.
	Muiden laitteiden aiheuttama radiohäiriö voi muodostaa erittäin voimakkaita radioaaltoja.	Pidä laite ja pölynimuri kaukana laitteista, kuten Wi-Fi-laitteet ja mikroaaltouunit.

Epänormaali tila	Todennäköinen syy (toimintahäiriö)	Korjaus
Pölynimuri ei toimi yhdessä laitteen kytkintoinnin kanssa.	Langatonta yksikköä ei ole asennettu laitteeseen. Langaton yksikkö on asennettu virheellisesti laitteeseen.	Asenna langaton yksikkö oikein.
	Langattoman yksikön liitäntä ja/tai ura on likainen.	Pyyhi langattoman yksikön liitäntä varovaisesti pölystä ja liasta ja puhdista ura.
	Laitteen langatonta aktivointipainiketta ei ole painettu.	Paina langatonta aktivointipainiketta lyhyesti ja varmista, että langattoman aktiivoinnin merkivalo vilkkuu sinisenä.
	Pölynimurin valmistustilan kytkintä ei ole asetettu asentoon "AUTO".	Aseta pölynimurin valmistustilan kytkin asentoon "AUTO".
	Yli 10 laitetta on rekisteröity pölynimurille.	Suorita laiterekisteröinti uudelleen. Jos yli 10 laitetta on rekisteröity pölynimurille, aikaisemmin rekisteröity laite peruutetaan automaattisesti.
	Pölynimuri poistaa kaikki laiterekisteröinnit.	Suorita laiterekisteröinti uudelleen.
	Ei virransyöttöä	Syötä virtaa laitteelle ja pölynimurille.
	Laite ja pölynimuri ovat kaukana toisistaan (lähetyalueen ulkopuolella).	Siirrä laite ja pölynimuri lähemmäksi toisiaan. Maksimilähetyetäisyys on noin 10 m, mutta se voi kuitenkin vaihdella olosuhteista riippuen.
	Muiden laitteiden aiheuttama radiohäiriö voi muodostaa erittäin voimakkaita radioaaltoja.	Pidä laite ja pölynimuri kaukana laitteista, kuten Wi-Fi-laitteet ja mikroaaltouuni.
Pölynimuri on käynnissä samalla kun liipaisinkytkintä ei paineta.	Muut käyttäjät käyttävät pölynimurin langatonta aktivointia heidän laitteillaan.	Katkaise muiden laitteiden langaton aktivointipainike tai peruuta muiden laitteiden laiterekisteröinti.

KUNNOSSAPITO

▲HUOMIO: Varmista aina ennen tarkastusta tai huoltoa, että työkalu on sammutettu ja akku irrotettu.

HUOMAUTUS: Älä koskaan käytä bensiiniä, ohenteita, alkoholia tai tms. aineita. Muutoin pinta voi halkeilla tai sen värit ja muoto voivat muuttua. Muutoin laitteeseen voi tulla värjäytymiä, muodon vääristymiä tai halkeamia.

Ilma-aukkojen puhdistaminen

Kone ja sen ilma-aukot on pidettävä puhtaina. Puhdista koneen ilma-aukot säännöllisesti tai aina kun ne alkavat tukkeutua.

► **Kuva38:** 1. Ilman poistoaukko 2. Ilman tuloaukko

Varmista ilman tasainen kierto irrottamalla pölysuojus ilmanottoaukosta ja puhdistamalla se.

► **Kuva39:** 1. Pölysuojus

HUOMAUTUS: Puhdista pölysuojus, jos se on vierasaineiden tukkima. Työn jatkaminen tukkeutunut pölysuojusta käyttäen voi vaurioittaa työkalua.

LISÄVARUSTEET

⚠HUOMIO: Seuraavia lisävarusteita tai laitteita suositellaan käytettäväksi tässä ohjeessa kuvatun Makita-työkalun kanssa. Muiden lisävarusteiden tai laitteiden käyttö voi aiheuttaa henkilövahinkoja. Käytä lisävarusteita ja -laitteita vain niiden käyttötarkoituksen mukaisesti.

Jos tarvitset apua tai yksityiskohtaisempia tietoja seuraavista lisävarusteista, ota yhteys paikalliseen Makitan huoltoon.

- Aito Makitan akku ja laturi
- Langaton yksikkö (langattomalla aktivointitoiminnolla varustetut mallit)

► **Kuva40**

-	100 mm malli	115 mm malli	125 mm malli
1	Kahva 36		
2	Laikan suojus (hiomalaikalle)		
3	Sisälaippa		
4	Upotetulla navalla varustettu laikka / lamellilaikka		
5	Lukkomutteri		
6	Varatyyny		
7	Joustolaikka		
8	Sisempi laippa ja kumityyny 76	Kumityyny 100	Kumityyny 115
9	Hiomalaikka		
10	Hionnan lukkomutteri		
11	Teräsharjalaikka		
12	Teräskuppiharja		
13	Laikan suojus (katkaisulaikalle) *1		
14	Hiova katkaisulaikka / timanttilaikka		
15	Pölyä keräävä laikan suojus		
-	Lukkomutteriavain		

HUOMAA: *1 Joissakin Euroopan maissa timanttilaikkaa käytettäessä voidaan käyttää tavallista suojusta molemmat puolet peittävän erikoislaikan sijaan. Noudata oman maasi määräyksiä.

HUOMAA: Jotkin luettelossa mainitut varusteet voivat sisältyä työkalun toimitukseen vakiovarusteina. Ne voivat vaihdella maittain.

SPECIFIKĀCIJAS

Modelis:	DGA417	DGA418
Slīpripas diametrs	100 mm (4")	
Maks. slīpripas biezums	6,4 mm	
Vārpstas vītne	M10	
Nominālais ātrums (n)	8 500 min ⁻¹	
Kopējais garums	382 mm	
Nominālais spriegums	Līdzstrāva 18 V	
Tīrsvars	2,2 – 2,9 kg	
Elektrobremze	✓	
Bezvadu savienojuma aktivizēšanas funkcija	-	✓

Modelis:	DGA467	DGA468
Slīpripas diametrs	115 mm (4-1/2")	
Maks. slīpripas biezums	7,2 mm	
Vārpstas vītne	M14 vai 5/8" (atkarībā no valsts).	
Nominālais ātrums (n)	8 500 min ⁻¹	
Kopējais garums	382 mm	
Nominālais spriegums	Līdzstrāva 18 V	
Tīrsvars	2,4 – 3,1 kg	
Elektrobremze	✓	
Bezvadu savienojuma aktivizēšanas funkcija	-	✓

Modelis:	DGA517	DGA518
Slīpripas diametrs	125 mm (5")	
Maks. slīpripas biezums	7,2 mm	
Vārpstas vītne	M14 vai 5/8" (atkarībā no valsts).	
Nominālais ātrums (n)	8 500 min ⁻¹	
Kopējais garums	382 mm	
Nominālais spriegums	Līdzstrāva 18 V	
Tīrsvars	2,4 – 3,1 kg	
Elektrobremze	✓	
Bezvadu savienojuma aktivizēšanas funkcija	-	✓

- Nepārtrauktās izpētes un izstrādes programmas dēļ šeit uzrādītās specifikācijas var tikt mainītas bez brīdinājuma.
- Atkarībā no valsts specifikācijas var atšķirties.
- Svārs var būt atšķirīgs atkarībā no papildierīces(-ēm), tostarp akumulatora kasetnes. Tabulā ir attēlota vieglākā un smagākā kombinācija atbilstoši EPTA procedūrai 01/2014.

Piemērotā akumulatora kasetne

BL1815N / BL1820 / BL1820B / BL1830 / BL1830B / BL1840 / BL1840B / BL1850 / BL1850B / BL1860B

- Dažas no iepriekš norādītajām akumulatora kasetnēm var nebūt pieejamas atkarībā no jūsu mītnes reģiona.

⚠ BRĪDINĀJUMS: Izmantojiet vienīgi iepriekš norādītās akumulatora kasetnes. Cita tipa akumulatora kasetņu izmantošana var radīt traumu un/vai aizdegšanās risku.

Paredzētā lietošana

izmantošanas.

Šis darbarīks paredzēts metāla un akmeņu slīpēšanai, smalkai slīpēšanai un griešanai bez ūdens

Trokšņa līmenis

Tipiskais A svērtais trokšņa līmenis noteikts saskaņā ar EN60745:

Modelis	Skaņas spiediena līmenis (L_{pA}): (dB(A))	Skaņas jaudas līmenis (L_{WA}): (dB(A))	Nenoteiktība (K): (dB(A))
DGA417	80	-	3
DGA418	80	-	3
DGA467	80	-	3
DGA468	80	-	3
DGA517	79	-	3
DGA518	79	-	3

Darbības laikā trokšņa līmenis var pārsniegt 80 dB (A).

▲BRĪDINĀJUMS: Lietojiet ausu aizsargus.

Vibrācija

Vibrācijas kopējā vērtība (trīsasu vektora summa) noteikta atbilstoši EN60745:

Darba režīms: virsmas slīpēšana ar parastu sānu rokturi

Modelis	Vibrācija ($a_{h, AG}$): (m/s^2)	Nenoteiktība (K): (m/s^2)
DGA417	4,5	1,5
DGA418	4,5	1,5
DGA467	5,5	1,5
DGA468	5,5	1,5
DGA517	6,0	1,5
DGA518	6,0	1,5

Darba režīms: virsmas slīpēšana ar antivibrācijas sānu rokturi

Modelis	Vibrācija ($a_{h, AG}$): (m/s^2)	Nenoteiktība (K): (m/s^2)
DGA417	4,5	1,5
DGA418	4,5	1,5
DGA467	5,0	1,5
DGA468	5,0	1,5
DGA517	5,5	1,5
DGA518	5,5	1,5

Darba režīms: slīpēšana ar disku ar parastu sānu rokturi

Modelis	Vibrācija ($a_{h, DS}$): (m/s^2)	Nenoteiktība (K): (m/s^2)
DGA417	2,5 m/s^2 vai mazāk	1,5
DGA418	2,5 m/s^2 vai mazāk	1,5
DGA467	2,5 m/s^2 vai mazāk	1,5
DGA468	2,5 m/s^2 vai mazāk	1,5
DGA517	2,5 m/s^2 vai mazāk	1,5
DGA518	2,5 m/s^2 vai mazāk	1,5

Darba režīms: slīpēšana ar disku ar antivibrācijas sānu rokturi

Modelis	Vibrācija ($a_{h, DS}$): (m/s^2)	Nenoteiktība (K): (m/s^2)
DGA417	2,5 m/s^2 vai mazāk	1,5
DGA418	2,5 m/s^2 vai mazāk	1,5
DGA467	2,5 m/s^2 vai mazāk	1,5
DGA468	2,5 m/s^2 vai mazāk	1,5
DGA517	2,5 m/s^2 vai mazāk	1,5
DGA518	2,5 m/s^2 vai mazāk	1,5

PIEZĪME: Paziņotā vibrācijas emisijas vērtība noteikta atbilstoši standarta pārbaudes metodei un to var izmantot, lai salīdzinātu vienu darbarīku ar citu.

PIEZĪME: Paziņoto vibrācijas emisijas vērtību arī var izmantot iedarbības sākotnējā novērtējumā.

▲BRĪDINĀJUMS: Reāli lietojot elektrisko darbarīku, vibrācijas emisija var atšķirties no paziņotās emisijas vērtības atkarībā no darbarīka izmantošanas veida.

▲BRĪDINĀJUMS: Lai aizsargātu lietotāju, nosakiet drošības pasākumus, kas pamatoti ar iedarbību reālos darba apstākļos (ņemot vērā visus ekspluatācijas cikla posmus, piemēram, laiku, kamēr darbarīks ir izslēgts un kad darbojas tukšgaitā, kā arī palaides laiku).

▲BRĪDINĀJUMS: Paziņoto vibrācijas emisijas vērtību izmanto galvenajām mehanizētā darbarīka darbībām. Taču, ja darbarīku izmanto citām darbībām, vibrācijas emisijas vērtība var būt atšķirīga.

EK atbilstības deklarācija

Tikai Eiropas valstīm

EK atbilstības deklarācija šajā lietošanas rokasgrāmatā ir iekļauta kā A pielikums.

DROŠĪBAS BRĪDINĀJUMI

Vispārīgi elektrisko darbarīku drošības brīdinājumi

▲BRĪDINĀJUMS: Izlasiet visus drošības brīdinājumus, instrukcijas, apskatiet ilustrācijas un tehniskos datus, kas iekļauti mehanizētā darbarīka komplektācijā. Ja netiek ievēroti visi tālāk minētie noteikumi, var tikt izraisīta elektrotrauma, notikt aizdegšanās un/vai rasties smagas traumas.

Glabājiet visus brīdinājumus un norādījumus, lai varētu tajos ieskatīties turpmāk.

Termins „elektrisks darbarīks” brīdinājumos attiecas uz tādu elektrisko darbarīku, ko darbina ar elektrību (ar vadu), vai tādu, ko darbina ar akumulatoru (bez vada).

Drošības brīdinājumi bezvada slīpmašīnas lietošanai

Drošības brīdinājumi, kas vienādi attiecas uz slīpēšanas, smalkās slīpēšanas, tīrīšanas ar stieplu suku vai abrazīvas griešanas darbībām:

1. Šo mehanizēto darbarīku paredzēts izmantot slīpēšanai, smalkai slīpēšanai, tīrīšanai ar stieplu suku vai griešanai. Izlasiet visus drošības brīdinājumus, instrukcijas, apskatiet ilustrācijas un tehniskos datus mehanizētā darbarīka komplektā. Ja netiek ievēroti visi tālāk minētie noteikumi, var tikt izraisīta elektrotrauma, notikt aizdegšanās un/vai rasties smagas traumas.
2. Ar šo mehanizēto darbarīku nav ieteicams veikt tādas darbības kā pulēšana. Tādu darbību veikšana, kam šis mehanizētais darbarīks nav paredzēts, var būt bīstama un radīt traumas.
3. Lietojiet tikai darbarīka ražotāja īpaši izgatavotos un ieteiktos piederumus. Kaut arī piederumu ir iespējams piesprindināt pie mehanizētā darbarīka, tā lietošana nav droša.

4. Piederuma nominālajam ātrumam jābūt vismaz identiskam ar maksimālo ātrumam, kas atzīmēts uz mehanizētā darbarīka. Piederumi, kas griežas ātrāk par nominālo ātrumu, var salūzt un tikt izsviesti.
5. Piederuma ārējam diametram un biežumam jābūt mehanizētā darbarīka jaudas robežās. Nepareiza izmēra piederumus nav iespējams pietiekami uzmanīt vai vadīt.
6. Piederumu stiprinājuma vītnei jāatbilst slīpmašīnas vārpstas vītnei. Piederumu, kurus piespina aiz atlokkiem, ass atverei jāatbilst atloka uzstādīšanas diametram. Piederumi, kas neatbilst mehanizētā darbarīka stiprinājumiem, kļūst nestabili, pārmērīgi vibrēs un var izraisīt vadības zaudēšanu.
7. Neizmantojiet bojātu piederumu. Pirms katras lietošanas pārbaudiet, vai piederumos, piemēram, abrazīvajās ripās nav plaisu, pļūsumu, atbalsta plāksne nav saplaisājusī, saplēsta vai pārmērīgi nolietota, un stieplu sukā nav vaļņņu vai salūzušu stieplu. Ja mehanizētais darbarīks nokrīt, pārbaudiet, vai nav radušies bojājumi, vai uzstādiet nebojātu piederumu. Pēc piederuma pārbaudes un uzstādīšanas atkāpieties pats un lieciet visiem klātesošajiem atkāpieties no piederuma rotācijas plaknes, un vienu minūti darbiniet mehanizēto darbarīku bez slodzes ar maksimālo ātrumu. Bojāti piederumi šādas pārbaudes laikā parasti salūst.
8. Izmantojiet individuālos aizsarglīdzekļus. Atkarībā no veicamā darba valkājiet sejas aizsargu, aizsargbrilles vai brilles. Ja nepieciešams, valkājiet putekļu masku, ausu aizsargus, cimdus un darba priekšautu, kas aiztur mazas abrazīvas vai materiāla daļiņas. Acu aizsardzības aprīkojumam jāspēj aizturēt lidojošus gružus, kas rodas dažādu darbu veikšanas laikā. Putekļu maskai vai respiratoram jāaiztur darba laikā radušās daļiņas. Ilgstoši pakļaujot sevi ļoti intensīvam troksnim, var rasties dzirdes zudums.
9. Gādājiet, lai apkārtējie atrastos drošā attālumā no darba vietas. Ikvienam, kas atrodas darba vietā, jāizmanto individuālie aizsarglīdzekļi. Aprādājāmā materiāla vai bojāta piederuma daļiņas var tikt izsviestas un traumēt cilvēkus darba vietas tuvumā.
10. Strādājot mehānisko darbarīku turiet aiz izolētajām satveršanas virsmām, ja griešanas darbarīks varētu saskarties ar neredzamu elektroinstalāciju. Saskare ar vadu zem sprieguma var spriegumu novadīt uz mehanizētā darbarīka metāla daļām, bet operators var saņemt elektriskās strāvas triecienu.

11. **Nekādā gadījumā nenolieciet mehanizēto darbarīku, pirms tas nav pilnībā apstājies.**
Rotējošais piederums var aizķert virsmu un izraut mehanizēto darbarīku jums no rokām.
12. **Nedarbiniet mehanizēto darbarīku, to pārnēsājot.** Ja apģērbs nejausi pieskaras rotējošajam piederumam, tas var tikt satverts, iespiežot piederumu miesā.
13. **Regulāri tīriet mehanizētā darbarīka ventilācijas atveres.** Motora ventilators ievēl putekļu korpusā un pārmērīga sīku metāla daļiņu uzkrāšanās var izraisīt elektrosistēmas bojājumus.
14. **Mehanizēto darbarīku nedrīkst darbināt ugunsnedrošu materiālu tuvumā.** Dzirksteles var aizdedzināt šos materiālus.
15. **Nelietojiet tādus piederumus, kam vajadzīgi dzesēšanas šķidrums.** Lietojot ūdeni vai citus dzesēšanas šķidrumus, var gūt nāvējošu elektrotraumu vai elektriskās strāvas triecienu.

Atsitiens un ar to saistīti brīdinājumi

Atsitiens ir pēkšņa reakcija uz rotējošās ripas iespīšanu vai aizķeršanos, balsta paliktņi, suku vai kādu citu piederumu. Iespūšana vai aizķeršanās izraisa pēkšņu rotējošā piederuma apstāšanos, kas savukārt saskares brīdī izraisa nevadāmu mehanizētā darbarīka grūdienu pretējā tā rotācijas virzienam.

Ja abrazīvā slīpripa, piemēram, aizķeras vai iespūst apstrādājamā materiālā, slīpripas mala, kas nokļūst iespūšanas vietā, var iespīsties materiāla virsmā, liekot slīpripai izvīrēties vai atlēkt. Slīpripa saskares brīdī var izlēkt operatora virzienā vai prom no viņa, atkarībā no slīpripas kustības virziena. Šādos gadījumos abrazīvās slīpripas var arī salūzt.

Atsitiens rodas darbarīka nepareizas lietošanas un/vai nepareizas darbības vai apstākļu rezultātā, un no tā var izvairīties, veicot piemērotus drošības pasākumus, kā norādīts tālāk.

1. **Saglabājiet ciešu darbarīka tvērienu un novietojiet ķermeni un rokas tā, lai pretotos atsitienu spēkam.** Lai maksimāli kontrolētu atsitienu (iedarbināšanas laikā) vai griezes momentu, vienmēr lietojiet palīgrokturi, ja tāds ir. Operators var savaldīt griezes momenta reakciju vai atsitienu spēku, ja veic atbilstošus piesardzības pasākumus.
2. **Nekad nenovietojiet roku rotējošā piederuma tuvumā.** Piederums var radīt atsitienu, trāpot rokas.
3. **Neviena jūsu ķermeņa daļa nedrīkst atrasties ceļā, kur atsitienu gadījumā pārvietosies mehanizētais darbarīks.** Atsitiens iekēršanās gadījumā grūdis darbarīku no iekēršanās vietas slīpripas kustībai pretējā virzienā.
4. **Īpaši uzmanieties, apstrādājot stūrus, asas malas u.c. Nepieļaujiet piederuma atlēkšanu un aizķeršanos.** Stūri, asas malas vai atlēkšana parasti izraisa rotējošā piederuma aizķeršanos un var radīt kontroles zaudēšanu vai atsitienu.
5. **Nepievienojiet ķēdes zāģa kokgriezumam asmeni vai zobaino zāģa asmeni.** Šādi asmeņi izraisa biežus atsitienu un vadības zaudēšanu.

Drošības brīdinājumi tieši slīpēšanas un abrazīvās griešanas darbībām:

1. **Izmantojiet tikai savam mehanizētajam darbarīkam ieteicamos ripu veidus un īpašos aizsargus, kas paredzēti izvēlētajai ripai.** Ripas, kam mehanizētais darbarīks nav paredzēts, nevar pienācīgi aizsargāt, tāpēc tās nav drošas.
2. **Ripas ar ieliektu centru slīpēšanas virsmai jāatrodas zemāk par aizsargatloka malu.** Nepareizi piestiprināta ripa, kas izvīrās no aizsargatloka malas plaknes, nav pietiekami aizsargājama.
3. **Aizsargam jābūt stingri piestiprinātam pie mehanizētā darbarīka un novietotam maksimāli drošībai, lai operatora virzienā ir atsegta mazākā ripas daļa.** Aizsargs palīdz aizsargāt operatoru no salūzušas ripas daļām un nejaušas saskares ar slīpripu un dzirkstelēm, kas var aizdedzināt apģērbu.
4. **Slīpripas jāizmanto tikai tām ieteicamajiem darbiem. Piemēram: neslīpējiet ar griešanas ripas malu.** Abrazīvās griešanas ripas paredzētas perifērai slīpēšanai, tāpēc, ja uz šīm ripām iedarbojas sānu spēks, tās var salūzt.
5. **Vienmēr izmantojiet nebojātus, izvēlētajai ripai atbilstoša izmēra un formas ripas atlokus.** Atbilstoši slīpripas atloki balsta slīpripu, tādējādi samazinot tās salūšanas iespēju. Nогriešanas ripu atloki var atšķirties no slīpēšanai paredzēto ripu atlokiem.
6. **Neizmantojiet nodilušas lielāku mehanizēto darbarīku ripas.** Lielākiem mehanizētajiem darbarīkiem paredzētās ripas nav piemērotas mazāka darbarīka lielākajam ātrumam, tās var sabrukt.

Papildu drošības brīdinājumi tieši abrazīvās griešanas darbībām:

1. **Neļaujiet griezējībai iespūst, neizmantojiet pārmērīgu spiedienu. Negrieziet pārāk dziļi.** Ripas pārslogošana palielina slodzi, ripas sašķiešanās vai iekēršanās griezumā, atsitienu vai slīpripas salūšanas iespējamību.
2. **Neostājieties vienā līnijā ar rotējošo ripu un aiz tās.** Kad darba laikā ripas pārvietojas virzienā prom no jūsu ķermeņa, iespējamais atsitiens var grūst rotējošo ripu un mehanizēto darbarīku tieši jūsu virzienā.
3. **Kad darba vietā ripas pārvietojas virzienā prom no operatora ķermeņa, iespējamais atsitiens rotējošo ripu un mehanizēto darbarīku var grūst tieši operatora virzienā. Nekādā gadījumā nemēģiniet izņemt griezējīpu no griezumā, kad ripa vēl griežas, lai netiktu izraisīts atsitiens.** Pārbaudiet un veiciet attiecīgus pasākumus, lai novērstu ripas iekēršanās cēloņus.
4. **Neatsāciet griešanu, darbarīkam atrodoties apstrādājamā materiālā. Ļaujiet ripai sasniegt pilnu ātrumu un tad uzmanīgi atkal ievietojiet to griezumā.** Slīpripa var iekērties, izvīrēties augšup vai atlēkt, ja mehanizētais darbarīks tiek atkal iedarbināts, atrodoties apstrādājamajā virsmā.

5. **Atbalstiet paneļus un visus lielos apstrādājamos materiālus, lai samazinātu slīpripas iesprūšanas un atsitienu bīstamību.** Lielī apstrādājami materiāli bieži vien ieliecas sava svāra dēļ. Balsti jānovieto abās slīpripas pusēs zem apstrādājamās virsmas, griezumā līnijas tuvumā un tuvu apstrādājamās virsmas malai.
 6. **Esiet īpaši uzmanīgs, veicot „nišas griezumus” jau esošajās sienās vai citās aizsegtās vietās.** Caururbijošā slīpripa var pārgriezt gāzes vai ūdens caurules, elektrības vadus vai priekšmetus, kas var izraisīt atsitienu.
- Drošības brīdinājumi tieši smalkajai slīpēšanai:**
1. **Neizmantojiet pārāk lielu slīpēšanas ripas papīru. Izvēloties smilšpapīru smalkajai apstrādei, ievērojiet ražotāja ieteikumus.** Par slīpēšanas pamatni lielāks smilšpapīrs rada plīsuma briesmas, jo ripa var iekerties, plīst vai izraisīt atsitienu.

Drošības brīdinājumi apstrādei ar stieplu suku:

1. **Nemiet vērā, ka stieplu sari tiek izsviesti no sukas pat parastās darbības laikā.** Nepārslogojiet stieples, pieliekot sukai pārmērīgu spēku. Stieplu sari var ātri caursist vieglus audumus un/vai ādu.
2. **Ja apstrādei ar stieplu suku ieteikts izmantot aizsargu, nepieļaujiet stieplu ripas vai sukas saskari ar aizsargu.** Darba slodzes un centrēšanas spēku iedarbībā stieplu ripai vai sukai var palielināties diametrs.

Papildu drošības brīdinājumi:

1. **Lietojot slīpripas ar ieliektu jeb iedzīlīnātu centru, noteikti izmantojiet tikai slīpripas ar stikla šķiedras armatūru.**
2. **Šai slīpmašīnai NEKAD NEUZSTĀDIET kausveida akmens ripu.** Šī slīpmašīna nav paredzēta šāda veida ripām, un to izmantošana var radīt smagas traumas.
3. **Uzmanieties, lai nesabojātu vārpstu, atloku (it īpaši uzstādīšanas virsmu) un kontrolgriezni.** Šo detaļu bojājums var izraisīt ripas salūšanu.
4. **Pārliecinieties, ka slīpripa nepieskaras apstrādājamajai virsmai pirms slēdža ieslēgšanas.**
5. **Pirms lietot darbarīku materiāla apstrādei, īslaicīgi darbiniet to bez slodzes.** Pievērsiet uzmanību tam, vai nav novērojama vibrācija vai svārstības, kas var norādīt uz nekalitatīvu uzstādīšanu vai nepareizi līdzsvarotu slīpripu.
6. **Lai slīpētu, izmantojiet tam paredzēto slīpripas virsmu.**
7. **Neatstājiet darbarīku ieslēgtu.** Darbiniet darbarīku vienīgi tad, ja turat to rokās.
8. **Neskarieties pie apstrādājamas detaļas tūlīt pēc darba izpildes; tā var būt ārkārtīgi karsta un apdedzināt ādu.**
9. **Ievērojiet ražotāja norādījumus slīpripu pareizai montāžai un lietošanai.** Rīkojieties ar slīpripām uzmanīgi un uzglabājiet tās rūpīgi.
10. **Neizmantojiet atsevišķus samazinošus ieliktņus vai pārejas, lai pielāgotu abrazīvās slīpripas ar liela diametra atveri.**
11. **Izmantojiet tikai šim darbarīkam paredzētus atlokus.**

12. **Darbarīkiem, kuri paredzēti lietošanai ar vītņotu slīpripu, pārliecinieties, ka slīpripas vītņnes garums atbilst vārpstas garumam.**
13. **Pārbaudiet, vai apstrādājamā detaļa ir pienācīgi atbalstīta.**
14. **Nemiet vērā, ka slīpripa turpina griezties arī pēc darbarīka izslēgšanas.**
15. **Ja darba vietā ir ārkārtīgi augsta temperatūra un liels mitrums, vai tā ir stipri piesārņota ar vadītspējīgiem putekļiem, izmantojiet issavienojuma pārtraucēju (30 mA), lai garantētu operatora drošību.**
16. **Neizmantojiet darbarīku tādu materiālu apstrādei, kas satur azbestu.**
17. **Lietojot griezējripas, vienmēr izmantojiet ripas aizsargu ar putekļu savācēju, ko prasa vietēja likumdošana.**
18. **Griešanas ripas nedrīkst pakļaut jebkādam sānu spiedienam.**
19. **Strādājot nelietojiet auduma darba cimdus.** Šķiedras no auduma cimdēm var iekļūt darbarīkā, izraisot darbarīka bojājumus.

SAGLABĀJIET ŠOS NORĀDĪJUMUS.

▲BRĪDINĀJUMS: NEPIEĻAUJIET to, ka labu iemaņu vai izstrādājuma labas pārzināšanas (darbarīku atkārtoti ekspluatējot) rezultātā vairs stingri neievērojat šī izstrādājuma drošības noteikumus. NEPAREIZI LIETOJOT darbarīku vai neievērojot šajā instrukcijā rokasgrāmatā minētos drošības noteikumus, var tikt gūtas smagas traumas.

Svarīgi drošības norādījumi par akumulatora kasetni

1. **Pirms akumulatora lietošanas izlasiet visus norādījumus un brīdinājumus, kuri attiecas uz (1) akumulatora lādētāju, (2) akumulatoru un (3) ierīci, kurā tiek izmantots akumulators.**
2. **Neizjauciet akumulatoru.**
3. **Ja akumulatora darbības laiks kļūva ievērojami īsāks, nekavējoties pārtrauciet to izmantot.** Citādi, tas var izraisīt pārkarsējumu, uzliesmojumu vai pat sprādzienu.
4. **Ja elektrolīts nonāk acīs, izskalojiet tās ar tīru ūdens un nekavējoties griezieties pie ārsta.** Tas var izraisīt redzes zaudēšanu.
5. **Neradiet issavienojumu akumulatora kasetnē:**
 - (1) Nepieskarieties spaiļiem ar elektrību vadošiem materiāliem.
 - (2) Neuzglabājiet akumulatoru kasetni kopā ar citiem metāla priekšmetiem, tādiem kā naglas, monētas u. c.
 - (3) Nepakļaujiet akumulatora kasetni ūdens vai lietus iedarbībai.**Akumulatora issavienojums var radīt spēcīgu strāvas plūsmu, piekāršanu, uzliesmojumu un pat sabojāt akumulatoru.**
6. **Neglabājiet darbarīku un akumulatora kasetni vietās, kur temperatūra var sasniegt vai pārsniegt 50 °C (122 °F).**

- Nededziniet akumulatora kasetni, pat ja tā ir stipri bojāta vai pilnībā nolietota. Akumulatora kasetne ugunī var eksplodēt.
- Uzmanieties, lai nejautu akumulatoram nokrist un nepakļautu to sītienam.
- Neizmantojiet bojātu akumulatoru.
- Uz izmantotajiem litija jonu akumulatoriem attiecas likumdošanas prasības par bīstamiem izstrādājumiem.
Komerציālā transportēšanā, ko veic, piemēram, trešās puses, transporta uzņēmumi, jāievēro uz iesaņņojuma un marķējuma norādītās īpašās prasības.
Lai izstrādājumu sagatavotu nosūtīšanai, jāsaziņņās ar bīstamo materiālu speciālistu. Ievērojiet arī citus attiecināmos valsts normatīvus.
Valējus kontaktus nosedziet ar līmļenti vai citādi pārklājiet, bet akumulatoru iesaņņojiet tā, lai sainļtas nevarētu izkustēties.
- Ievērojiet vietējos noteikumus par akumulatora likvidēšanu.
- Izmantojiet šos akumulatorus tikai ar izstrādājumiem, kurus norādļijis Makita. Ievietojiet šos akumulatorus nesaderīgos izstrādājumos, var rasties ugunsgrēks, pārmērīgs karstums, tie var uzsprāgt vai no tiem var iztecēt elektrolļīts.

SAGLABĀJIET ŠOS NORĀDĪJUMUS.

▲UZMANĪBU: Lietojiet tikai oriģinālos Makita akumulatorus. Ja lietojat neoriģinālus Makita akumulatorus vai pārveidotus akumulatorus, tie var uzsprāgt un izraisīt aizdegšanos, traumas un materiālos zaudējumus. Tiks anulēta arī Makita darbarļķa un lādētāja garantija.

Ieteikumi akumulatora kalpošanas laika pagarināšanai

- Uzlādējiet akumulatora kasetni, pirms tā ir pilnībā izlādējusies. Vienmēr, kad ievērojat, ka darbarļķa darba jauda zudusi, apturiet darbarļķu un uzlādējiet akumulatora kasetni.
- Nekad neuzlādējiet pilnībā uzlādētu akumulatora kasetni. Pārmērīga uzlāde saīsina akumulatora kalpošanas laiku.
- Uzlādējiet akumulatora kasetni istabas temperatūrā 10 °C - 40 °C. Karstai akumulatora kasetnei pirms uzlādes ļaujiet atdzist.
- Uzlādējiet litija jonu akumulatora kasetni, ja to ilgstoši nelietosit (vairāk nekā sešus mēņņešus).

Svarīgi drošības norādļijumi par bezvadu ierļķi

- Bezvadu ierļķi nedrļķkst ne pārveidot, ne izjaukt.
- Bezvadu ierļķi glabājiet maziem bērņņiem nepieejamā vietā. Ja kāds cilvēks nejaušļi norļij kādu no detaļām, nekavējoties jādodas pie ārsta.
- Bezvadu ierļķi lietojiet tikai kopā ar Makita darbarļķiem.
- Raugiet, lai bezvadu ierļķe neatrastos lietū vai mitros apstākļļos.

- Bezvadu ierļķi nelietojiet vietās, kur temperatūra pārsniedz 50°C.
- Bezvadu ierļķi nelietojiet vietās, kur tuvumā atrodas medicļņas ierļķes, piemēram, sirdsdarbības stimulatori.
- Bezvadu ierļķi nelietojiet vietās, kur tuvumā atrodas automātiskas ierļķes. Ja lietojat, tad automātisko ierļķu darbībā var rasties traucējumļi vai kļļūdas.
- Bezvadu ierļķe var radļt elektromagnētiskos laukus (EML), bet tie nav lietotājam kaitīgi.
- Bezvadu ierļķe ir precļziss instruments. Uzmanieties, lai bezvadu ierļķe nenokristu un nekur nelietriektos.
- Bezvadu ierļķes izvadām nepieskarieties ar kailām rokām vai metāliskiem materiāļļiem.
- Kad uzstādāt bezvadu ierļķi, vienmēr izņemiet darbarļķa akumulatoru.
- Verot vaļā atveres pārsegu, izvairieties no vietas, kur atverē var iekļļūt putekļļi un ūdens. Atveres ieeju vienmēr turiet tļru.
- Bezvadu ierļķi vienmēr ievietojiet pareizajā virzienā.
- Bezvadu ierļķes bezvadu sistēmas aktivizēšanas pogu nespiediet pārāk stipri un/vai nespiediet pogu ar priekšmetu, kam ir asas malas.
- Lietojot ierļķi, vienmēr aizveriet atveres pārsegu.
- Kamēr darbarļķs ir pieslēgts pie strāvas, neatvienojiet bezvadu ierļķi no atveres. Ja atvienojat, var rasties traucējumļi bezvadu ierļķes darbībā.
- No bezvadu ierļķes nenoplēšiet uzlīmļi.
- Uz bezvadu ierļķes nelīmējiet nekādas uzlīmļi.
- Neatstājiet bezvadu ierļķi vietā, kur var ievēdoties statiskā elektrība vai elektriskais troksnis.
- Bezvadu ierļķi neatstājiet vietās, kur varētu būt liels karstums, piemēram, automobilļi, kas atstāts saulē.
- Bezvadu ierļķi neatstājiet putekļļainā vai ar pulveri nokaisītā vietā vai vietā, kur var rasties kodīga gāze.
- Pēkšņas temperatūras izmaiņas var radļt mitrumu uz ierļķes. Bezvadu ierļķi lietojiet tikai tad, kad mitrums pilnībā izžuvis.
- Kad tļrāt bezvadu ierļķi, uzmanļģi slaukiet to ar sausu, mļkstu drāņu. Nelietojiet benzļņinu, atšķaidļtāju, vadļtspējīgas smērvielas vai lļdzģigas vielas.
- Kad bezvadu ierļķi noliekat glabāšanai, ielieciet to komplekta ietvarā vai nestatiskā konteinerā.
- Darbarļķa atverē ievietojiet tikai Makita bezvadu ierļķi.
- Neizmantojiet darbarļķu, ja tā atveres pārsegs ir bojāts. Ūdens, putekļļu un netļrumu iekļļūšana atverē var radļt darbības traucējumus.
- Bez nepieciešamības nevelciet un/vai negrozļiet atveres pārsegu. Ja pārsegs atdalļās no darbarļķa, piestipriniet to.
- Ja atveres pārsegs ir pazaudēts vai bojāts, nomainiet to.

SAGLABĀJIET ŠOS NORĀDĪJUMUS.

FUNKCIJU APRAKSTS

⚠ UZMANĪBU: Pirms darbarīka regulēšanas vai tā darbības pārbaudes vienmēr pārliecinieties, ka darbarīks ir izslēgts un akumulatora kasetne ir izņemta.

Akumulatora kasetnes uzstādīšana un izņemšana

⚠ UZMANĪBU: Vienmēr pirms akumulatora kasetnes uzstādīšanas vai noņemšanas izslēdziet darbarīku.

⚠ UZMANĪBU: Uzstādot vai izņemot akumulatora kasetni, darbarīku un akumulatora kasetni turiet cieši. Ja darbarīku un akumulatora kasetni netur cieši, tie var izkrist no rokām un radīt bojājumus darbarīkam un akumulatora kasetnei, kā arī izraisīt ievainojumus.

- **Att.1:** 1. Sarkanās krāsas indikators 2. Poga 3. Akumulatora kasetne

Lai izņemtu akumulatora kasetni, izvelciet to no darbarīka, pārbīdot kasetnes priekšpusē esošo pogu.

Lai uzstādītu akumulatora kasetni, salāgojiet mēlīti uz akumulatora kasetnes ar rievu ietvarā un iebīdīet to vietā. Ievietojiet to līdz galam, līdz tā ar klikšķi nokļūst vietā. Ja pogas augšējā daļā redzams sarkanās krāsas indikators, tas nozīmē, ka tā nav pilnīgi fiksēta.

⚠ UZMANĪBU: Vienmēr ievietojiet akumulatora kasetni tā, lai sarkanais indikators nebūtu redzams. Pretējā gadījumā tā var nejauši izkrist no darbarīka un izraisīt jums vai apkārtējiem traumas.

⚠ UZMANĪBU: Neievietojiet akumulatora kasetni ar spēku. Ja kasetne neslīd ietvarā viegli, tā nav pareizi ielikta.

Atlikušās akumulatora jaudas indikators

Tikai akumulatora kasetnēm ar indikatoru

► **Att.2:** 1. Indikatora lampas 2. Pārbaudes poga
Nospiediet akumulatora kasetnes pārbaudes pogu, lai pārbaudītu akumulatora atlikušo uzlādes līmeni. Indikatori iedegsies uz dažām sekundēm.

Indikatora lampas			Atlikusī jauda
Iedegies	Izslēgts	Mirgo	
			No 75% līdz 100%
			No 50% līdz 75%
			No 25% līdz 50%
			No 0% līdz 25%
			Uzlādējiet akumulatoru.
			Iespējama akumulatora kļūme.

PIEZĪME: Reālā jauda var nedaudz atšķirties no norādītās atkarībā no lietošanas apstākļiem un apkārtējās temperatūras.

Atlikušās akumulatora jaudas indikators

Atkarībā no valsts

Ieslēdzot darbarīku, akumulatora indikators rāda atlikušo akumulatora enerģiju.

- **Att.3:** 1. Akumulatora indikators

Akumulatora atlikušās enerģijas apzīmējumi redzami šajā tabulā.

Akumulatora indikatora stāvoklis			Atlikusī akumulatora jauda
Ieslēgts	Izslēgts	Mirgo	
			No 50% līdz 100%
			No 20% līdz 50%
			No 0% līdz 20%
			Akumulatora uzlāde

Darbarīka/akumulatora aizsardzības sistēma

Darbarīkam ir darbarīka/akumulatora aizsardzības sistēma. Šī sistēma automātiski izslēdz strāvas padevi motoram, lai pagarinātu darbarīka un akumulatora darbmūžu. Lietošanas laikā darbarīks automātiski pārstās darboties, ja darbarīku vai akumulatoru pakļaus kādam no šādiem apstākļiem.

Aizsardzība pret pārslodzi

Ja darbarīku ekspluatācijas laikā lieto tādā veidā, ka tas saista pārmērīgu strāvu, darbarīks automātiski pārstāj darboties bez jebkādam norādēm. Šādā gadījumā izslēdziet darbarīku un pārtrauciet darbību, kas izraisīja darbarīka pārslodzi. Tad ieslēdziet darbarīku, lai atsāktu darbu.

Aizsardzība pret pārkaršanu

Kad darbarīks pārkaršis, tas automātiski pārstāj darboties un akumulatora indikators rāda šeit redzamo stāvokli. Darbarīkam vispirms jāatdziest, tikai pēc tam to drīkst ieslēgt atkārtoti.

Ieslēgts	Mirgo

Ja darbarīks neieslēdzas, akumulators, iespējams, ir pārkaršis. Akumulatoram vispirms jāatdziest, tikai pēc tam darbarīku drīkst ieslēgt atkārtoti.

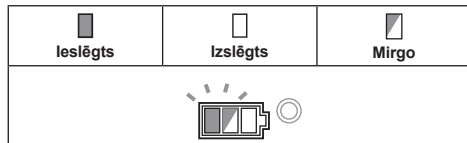
Aizsardzība pret akumulatora pārmērīgu izlādi

Ja akumulatora jaudas līmenis ir zems, darbarīks automātiski pārstāj darboties. Šajā gadījumā akumulatoru izņemiet no darbarīka un uzlādējiet.

Aizsardzības bloķētāja izslēgšana

Kad aizsardzības sistēma ieslēdzas atkārtoti, darbarīks nobloķējas un akumulatora indikators rāda šeit redzamo stāvokli.

Šādā gadījumā darbarīks nesāk darboties pat pēc izslēgšanas un ieslēgšanas. Lai izslēgtu aizsardzības bloķētāju, akumulatoru izņemiet, ievietojiet akumulatora lādētājā un nogaidiet, līdz beidzas uzlāde.



Vārpstas bloķētājs

Nospiediet vārpstas bloķētāju, lai novērstu vārpstas griešanās piederumu uzstādīšanas vai noņemšanas laikā.

► **Att.4:** 1. Vārpstas bloķētājs

IEVĒRĪBAI: Nekad neieslēdziet vārpstas bloķētāju, kad griežas vārpsta. Tas var sabojāt darbarīku.

Slēdža darbība

⚠UZMANĪBU: Vienmēr pirms akumulatora kasetnes uzstādīšanas darbarīkā pārbaudiet, vai slēdža svira darbojas pareizi un pēc atlaišanas atgriežas stāvoklī "OFF" (izslēgts).

⚠UZMANĪBU: Slēdža sviru nespiediet ar spēku, nenospiežot atbloķēšanas sviru. Spiežot ar spēku, var sabojāt slēdzi.

⚠UZMANĪBU: Jūsu drošības labad šim darbarīkam ir atbloķēšanas svira, kas novērš darbarīka nejausu iedarbināšanu. NEKAD nelietojiet darbarīku, ja tas darbojas, kad vienkārši Pavelk slēdža mēlīti, nepaveicot atbloķēšanas sviru. PIRMS turpmākas lietošanas nododiet darbarīku mūsu pilnvarotajā apkopes centrā, lai veiktu pienācīgu remontu.

⚠UZMANĪBU: NEKAD nenovērtējiet par zemu un neignorējiet atbloķēšanas sviras mērķi un funkcijas.

Lai slēdža sviru nenošpiestu nejausi, darbarīks ir aprīkots ar atbloķēšanas sviru.

Lai darbarīku iedarbinātu, atbloķēšanas sviru pavelciet virzienā pret sevi un tad nospiediet slēdža sviru.

Lai darbarīku apturētu, atlaidiet slēdža sviru.

► **Att.5:** 1. Atbloķēšanas svira 2. Slēdža svira

Ātruma regulēšanas gredzens

Darbarīka griešanās ātrumu var mainīt, griežot ātruma regulēšanas gredzenu. Tabulā tālāk norādīts katram gredzena ciparam atbilstošais griešanās ātrums.

► **Att.6:** 1. Ātruma regulēšanas gredzens

Cipars	Ātrums
1	3 000 min ⁻¹
2	4 500 min ⁻¹
3	6 000 min ⁻¹
4	7 500 min ⁻¹
5	8 500 min ⁻¹

IEVĒRĪBAI: Ja darbarīku ilgstoši darbināsiet ar mazu ātrumu, motors tiks pārslēgots, tādējādi radot darbarīka darbības traucējumus.

IEVĒRĪBAI: Mainot ātrumu no 5 uz 1, grieziet gredzenu pretēji pulksteņrādītāju kustības virzienam. Negrieziet gredzenu pulksteņrādītāju kustības virzienā ar spēku.

Automātiskā ātruma maiņas funkcija

► **Att.7:** 1. Režīma indikators

Režīma indikatora stāvoklis	Darbības režīms
	Liela darbības ātruma režīms
	Liela griezes momenta režīms

Šim darbarīkam ir „liela ātruma režīms” un „liela griezes momenta režīms”. Tas automātiski maina ekspluatācijas režīmu atkarībā no darba slodzes. Kad ekspluatācijas laikā izgaismojas režīma indikators, darbarīkam ir ieslēgts liela griezes momenta režīms.

Nejaušas atkārtotas ieslēgšanas nepieļaušanas funkcija

Darbarīkā iekļuvušie netīrumi vai svešķermeņi var to sabojāt.

Lai darbarīku ieslēgtu, vispirms atlaidiet slēdža sviru. Vispirms nospiediet atbloķēšanas sviru un tikai pēc tam — slēdža sviru.

Elektroniskā griezes momenta vadības funkcija

Darbarīks elektroniski nosaka stāvokli, kad ripa vai piederums var iesprūst. Šādā gadījumā darbarīks automātiski izslēdzas, lai vārpsta vairs negrieztos (taču tas nenovērš atsitieni).

Lai atkārtoti ieslēgtu darbarīku, vispirms to izslēdziet, novērsiet darbarīka ātruma pēkšņās samazināšanās iemeslu un tad atkal ieslēdziet darbarīku.

Pakāpeniskas jeb laidenās ieslēgšanas funkcija

Pakāpeniskas ieslēgšanas funkcija mazina iedarbināšanas reakciju.

Elektrobremze

Elektrobremze tiek ieslēgta pēc darbarīka ieslēgšanas. Bremze nedarbojas, ja barošana ir ieslēgta, piemēram, tiek izņemts akumulators, kad slēdzis vēl ir ieslēgšanas stāvoklī.

MONTĀŽA

⚠UZMANĪBU: Pirms darbarīka regulēšanas vai tā darbības pārbaudes vienmēr pārliecinieties, ka darbarīks ir ieslēgts un akumulatora kasetne ir izņemta.

Sānu roktura uzstādīšana (rokturis)

⚠UZMANĪBU: Pirms darbarīka izmantošanas vienmēr pārliecinieties, ka sānu rokturis ir uzstādīts droši.

Stingri pieskrūvējiet sānu rokturi pie darbarīka, kā parādīts attēlā.

► Att.8

Slīpripas aizsarga uzstādīšana vai noņemšana (slīpripa ar ieliektu centru, plākšņu diska, lokanā ripa, stieplu sukas ripa/abrazīva griezējripa, dimanta ripa)

⚠BRĪDINĀJUMS: Izmantojot slīpripas ar ieliektu centru, plākšņu diska, lokanās ripas vai stieplu sukas ripas, slīpripas aizsargs jāuzstāda uz darbarīka tā, lai aizsarga slēgtā daļa vienmēr būtu vērsta pret operatoru.

⚠BRĪDINĀJUMS: Izmantojot abrazīvo griezējripu vai dimanta ripu, lietojiet tikai īpašu griezējripiem paredzētu ripas aizsargu.

(Dažās Eiropas valstīs, izmantojot dimanta ripu, var lietot parasto aizsargu. Ievērojiet savas valsts noteikumus.)

Darbarīkam ar fiksācijas skrūves tipa slīpripas aizsargu

Uzstādiet slīpripas aizsargu tā, lai uz tā malas esošie izciļņi sakristu ar gultņa ieliktna robiem. Tad slīpripas aizsargu pagrieziet tādā leņķī, lai darba laikā tas aizsargātu operatoru. Pārliecinieties, ka skrūve ir cieši pievilkta.

Lai noņemtu slīpripas aizsargu, izpildiet iepriekš minētās darbības pretējā secībā.

► Att.9: 1. Ripas aizsargs 2. Gultņa ieliktnis 3. Skrūve

Darbarīkam ar saspiedēja sviras tipa slīpripas aizsargu

Atļaidiet skrūvi, tad sviru pavelciet ar bultīņu norādītajā virzienā. Uzstādiet slīpripas aizsargu tā, lai uz tā malas esošie izciļņi sakristu ar gultņa ieliktna robiem. Tad slīpripas aizsargu pagrieziet tādā leņķī, lai darba laikā tas aizsargātu operatoru.

► Att.10: 1. Ripas aizsargs 2. Gultņa ieliktnis
3. Skrūve 4. Svira

Sviru pavelciet ar bultīņu norādītajā virzienā. Tad nostipriniet ripas aizsargu, pievelkot skrūvi. Pārliecinieties, ka skrūve ir cieši pievilkta. Slīpripas aizsarga iestatīšanas leņķi var regulēt ar sviru.

► Att.11: 1. Skrūve 2. Svira

Lai noņemtu slīpripas aizsargu, izpildiet iepriekš minētās darbības pretējā secībā.

Slīpripas ar ieliektu centru vai plākšņu diska uzstādīšana un noņemšana

Papildu piederumi

⚠BRĪDINĀJUMS: Izmantojot slīpripas ar ieliektu centru vai plākšņu diskus, slīpripas aizsargs jāuzstāda uz darbarīka tā, lai aizsarga slēgtā daļa vienmēr būtu vērsta operatora virzienā.

⚠UZMANĪBU: Pārliecinieties, ka iekšējā atloka stiprinājuma daļa precīzi iekļaujas slīpripas ar ieliektu centru vai plākšņu diska iekšējā diametrā. Ja iekšējo atloku uzstādīsiet nepareizajā pusē, var rasties bīstama vibrācija.

Iekšējo atloku uzstādiet uz vārpstas. Iekšējā atloka ieliekto daļu uzstādiet uz taisnās daļas vārpstas apakšdaļā.

Slīpripu ar ieliektu centru vai plākšņu disku uzlieciet uz iekšējā atloka un pieskrūvējiet kontruzgriezni uz vārpstas.

► Att.12: 1. Kontruzgrieznis 2. Slīpripa ar ieliektu centru 3. Iekšējais atloks 4. Stiprinājuma daļa

Lai pievilktu kontruzgriezni, stingri nospiediet vārpstas bloķētāju, lai vārpsta negrieztos, tad ar kontruzgriežņa atslēgu stingri pievelciet to pulksteņrādītāju kustības virzienā.

► Att.13: 1. Kontruzgriežņa atslēga 2. Vārpstas bloķētājs

Lai slīpripu noņemtu, iepriekš norādītās darbības izpildiet pretējā secībā.

Lokanās ripas uzstādīšana un noņemšana

Papildu piederumi

⚠BRĪDINĀJUMS: Ja darbarīkam izmantojat lokano ripu, vienmēr lietojiet komplektā iekļauto aizsargu. Lietošanas laikā ripa var sadrupt, bet aizsargs palīdz mazināt traumu bīstamību.

► Att.14: 1. Kontruzgrieznis 2. Lokanā ripa 3. Balsta starpliņa 4. Iekšējais atloks

Ievērojiet norādījumus attiecībā uz slīpripu ar ieliektu centru; tomēr uz ripas uzlieciet arī balsta starpliņu. Montāžas secību skatiet šīs rokasgrāmatas piederumu lappusē.

Abrazīvās ripas uzstādīšana un noņemšana

Papildu piederumi

PIEZĪME: Izmantojiet šajā rokasgrāmatā norādītos slīpmašīnas piederumus. Tie jāiegādājas atsevišķi.

100 mm modelim

► **Att.15:** 1. Smilšpapīra jeb smalkās slīpēšanas kontruzgrieznis 2. Abrazīvā ripa 3. Gumijas starplika 4. Iekšējais atloks

1. Iekšējo atloku uzstādi uz vārpstas.
2. Uz vārpstas uzstādi gumijas paliktni.
3. Uzstādi ripu uz gumijas starplikas un uzskrūvējiet smilšpapīra slīpēšanas kontruzgriezni uz vārpstas.
4. Turiet vārpstu ar vārpstas bloķētāju un ar kontruzgriežņa atslēgu cieši pievelciet smilšpapīra slīpēšanas kontruzgriezni pulksteņrādītāju kustības virzienā.

Lai noņemtu ripu, izpildiet iepriekš norādītās darbības pretējā secībā.

115 mm/125 mm modelim

► **Att.16:** 1. Smilšpapīra jeb smalkās slīpēšanas kontruzgrieznis 2. Abrazīvā ripa 3. Gumijas starplika

1. Uz vārpstas uzstādi gumijas paliktni.
2. Uzstādi ripu uz gumijas starplikas un uzskrūvējiet smilšpapīra slīpēšanas kontruzgriezni uz vārpstas.
3. Turiet vārpstu ar vārpstas bloķētāju un ar kontruzgriežņa atslēgu cieši pievelciet smilšpapīra slīpēšanas kontruzgriezni pulksteņrādītāju kustības virzienā.

Lai noņemtu ripu, izpildiet iepriekš norādītās darbības pretējā secībā.

Putekļsūcēja pievienošana

Papildu piederumi

BRĪDINĀJUMS: Nekādā gadījumā ar putekļu sūcēju neiesūciet metāla daļiņas, kas rodas slīpēšanas/griešanas/slīpēšanas laikā. Šādu darbību laikā radušās metāla daļiņas ir tik karstas, ka tās var aizdedzināt putekļus un filtru putekļu sūcēja iekšpusē.

Lai novērstu darba vietā putekļus, kas radušies mūra griešanas rezultātā, izmantojiet slīpripas aizsargu ar putekļu savācēju un putekļu sūcēju. Informāciju par to, kā uzlikt un izmantot slīpripas aizsargu ar putekļu savācēju, skatiet lietošanas instrukcijā, kas pievienota šai ierīcei.

► **Att.17:** 1. Slīpripas aizsargs ar putekļu savācēju 2. Putekļu sūcēja šūtene

EKSPLUATĀCIJA

BRĪDINĀJUMS: Strādājot ar darbarīku, nekad nepielieciet pārmērīgu spēku. Darbarīka svars rada pietiekamu spiedienu. Pārmērīgs spēks vai spiediens uz darbarīka var izraisīt ripas salūšanu, kas ir ļoti bīstami.

BRĪDINĀJUMS: VIENMĒR nomainiet ripu, ja slīpēšanas laikā darbarīks nokrīt.

BRĪDINĀJUMS: NEKAD nesitiet slīpripu pret apstrādājamo materiālu.

BRĪDINĀJUMS: Izvairieties no ripas lēkāšanas un iekēršanās, it īpaši stūru, asu malu utt. apstrādē. Tas var izraisīt vadības zaudēšanu un atsitenu.

BRĪDINĀJUMS: NEKĀDĀ GADĪJUMĀ neizmantojiet darbarīku ar koku zāģēšanas asmeņiem un citiem zāģu asmeņiem. Šādus asmeņus izmantojot slīpmašīnā, var rasties atsitens, kura ietekmē var zaudēt vadību pār darbarīku un gūt traumas.

UZMANĪBU: Nekādā gadījumā neieslēdziet darbarīku, ja tas ir saskarē ar apstrādājamo materiālu, jo operators var gūt traumas.

UZMANĪBU: Darba laikā vienmēr lietojiet aizsargbrilles vai sejas aizsargu.

UZMANĪBU: Pēc darba vienmēr izslēdziet darbarīku un uzgaidiet, līdz ripa pilnīgi apstājas, pirms noliekat darbarīku.

UZMANĪBU: VIENMĒR stingri turiet darbarīku ar vienu roku uz korpusa un ar otru uz sānu roktura.

Slīpēšana un līdzināšana ar smilšpapīru

► **Att.18**

Ieslēdziet darbarīku un tad nolaidiet slīpripu vai disku uz materiālu.

Slīpripas vai diska malu turiet apmēram 15 grādu leņķī pret apstrādājamo virsmu.

Jaunās slīpripas iestrādāšanas laikā nelietojiet darbarīku turpgaitas virzienā, citādi tas var iegriezties apstrādājamā materiālā. Kad slīpripas mala lietošanas gaitā ir noapaļojusies, slīpripu var izmantot darbam gan turpgaitas, gan atpakaļgaitas virzienā.

Abrazīvās griezējriņas un dimanta riņas lietošana

Papildu piederumi

▲BRĪDINĀJUMS: Izmantojot abrazīvo griezējriņu vai dimanta riņu, lietojiet tikai īpašu griezējriņām paredzētu riņas aizsargu.

(Dažās Eiropas valstīs, izmantojot dimanta riņu, var lietot parasto aizsargu. Ievērojiet savas valsts noteikumus.)

▲BRĪDINĀJUMS: NEKAD NELIETOJIET griezējriņu sānu slīpēšanai.

▲BRĪDINĀJUMS: Neļaujiet slīpriņai iesprūst; neizmantojiet pārmērīgu spiedienu. Negrieziet pārāk dziļi. Riņas pārslodžošanas palielina slodzi un iespēju riņai sašķībties vai aizķerties griezumā, kā arī atsitienu, riņas salūšanas un motora pārkaršanās iespējamību.

▲BRĪDINĀJUMS: Nesāciet griešanu, darbarīkam atrodoties apstrādājamajā virsmā. Ļaujiet riņai sasniegt pilnu ātrumu un uzmanīgi ievietojiet to griezumā, virzot darbarīku uz priekšu pāri apstrādājamā materiāla virsmai. Riņa var aizķerties, iznākt no griezuma vai radīt atsitienu, ja mehanizētais darbarīks tiek iedarbināts, riņai atrodoties apstrādājamā materiālā.

▲BRĪDINĀJUMS: Griešanas laikā nekad nemainiet slīpripas leņķi. Pieliekot griezējriņai sāniski vērstu spēku (piemēram, slīpējot), riņa var saplaisāt un salūzt, radot smagas traumas.

▲BRĪDINĀJUMS: Dimanta riņa jālieto perpendikulāri griezamajam materiālam.

- **Att.19:** 1. Kontruzgrieznis 2. Abrazīvā griezējriņa/dimanta riņa 3. Iekšējais atloks 4. Riņas aizsargs abrazīvai griezējriņai/dimanta riņai

Veicot uzstādīšanu, izpildiet norādījumus, kas paredzēti slīpriņai ar ieliektu centru.

Kontruzgriežņa un iekšējā atloka uzstādīšanas virziena maiņa atkarīga no riņas veida un biežuma.

Skatiet attiecīgos parametrus.

100 mm modelim

Uzstādot abrazīvo griezējriņu:

- **Att.20:** 1. Kontruzgrieznis 2. Abrazīvā griezējriņa (plānāka par 4 mm) 3. Abrazīvā griezējriņa (4 mm vai biežāka) 4. Iekšējais atloks

Uzstādot dimanta riņu:

- **Att.21:** 1. Kontruzgrieznis 2. Dimanta riņa (plānāka par 4 mm) 3. Dimanta riņa (4 mm vai biežāka) 4. Iekšējais atloks

115 mm/125 mm modelim

Uzstādot abrazīvo griezējriņu:

- **Att.22:** 1. Kontruzgrieznis 2. Abrazīvā griezējriņa (plānāka par 4 mm) 3. Abrazīvā griezējriņa (4 mm vai biežāka) 4. Iekšējais atloks

Uzstādot dimanta riņu:

- **Att.23:** 1. Kontruzgrieznis 2. Dimanta riņa (plānāka par 4 mm) 3. Dimanta riņa (4 mm vai biežāka) 4. Iekšējais atloks

Lietošana kopā ar kausveida stieplu suku

Papildu piederumi

▲UZMANĪBU: Pārbaudiet suku darbību, darbinot darbarīku bez slodzes, un nodrošinot, lai nevienš neatrastos suku priekšā vai tās rotācijas plaknē.

▲UZMANĪBU: Neizmantojiet bojātu un nelīdzsvarotu suku. Bojātas suku izmantošana var palielināt salauztu suku stieplu radītu traumu bīstamību.

- **Att.24:** 1. Kausveida stieplu suku

Akumulatora kasetni izņemiet no darbarīka un darbarīku atlieciet otrādi, lai viegli piekļūtu vārpstai.

No vārpstas noņemiet piederumus. Kausveida stieplu suku uzskrūvējiet uz vārpstas un pievelciet ar komplekta uzgriežņatslēgu.

IEVĒRĪBAI: Izvairieties no pārmērīga spēka pielikšanas, kas var salocīt stieples, lietojot suku. Tas var izraisīt priekšlaicīgu salūšanu.

Lietošana kopā ar stieplu riņas suku

Papildu piederumi

▲UZMANĪBU: Pārbaudiet stieplu riņas suku darbību, darbinot darbarīku bez slodzes un nodrošinot, lai nevienš neatrastos stieplu riņas suku priekšā vai tās rotācijas plaknē.

▲UZMANĪBU: Neizmantojiet bojātu un nelīdzsvarotu stieplu riņas suku. Bojātas stieplu riņas suku izmantošana var palielināt salauztu stieplu radītu traumu bīstamību.

▲UZMANĪBU: Lietojot stieplu riņas suku, VIENMĒR izmantojiet aizsargu, sekojot, lai viss riņas diametrs iekļaujas aizsargā. Lietošanas laikā riņa var sadrupēt, bet aizsargs palīdz mazināt traumu bīstamību.

- **Att.25:** 1. Stieplu riņas suku

Akumulatora kasetni izņemiet no darbarīka un darbarīku atlieciet otrādi, lai viegli piekļūtu vārpstai.

No vārpstas noņemiet piederumus. Stieplu riņas suku uzskrūvējiet uz vārpstas un pievelciet ar uzgriežņu atslēgām.

IEVĒRĪBAI: Izvairieties no pārmērīga spiediena, kas var salocīt stieples, lietojot stieplu riņas suku. Tas var izraisīt priekšlaicīgu salūšanu.

BEZVADU SISTĒMAS AKTIVIZĒŠANAS FUNKCIJA

Tikai modelim DGA418/DGA468/DGA518

Iespējas, ko sniedz bezvadu sistēmas aktivizēšanas funkcija

Bezvadu sistēmas aktivizēšanas funkcija nodrošina tūru un ērtu darbību. Pieslēdzot atbilstošu putekļu sūcēju darbarīkam, putekļu sūcēju iespējams darbināt automātiski kopā ar darbarīka pārslēgšanas darbību.

► Att.26

Lai izmantotu bezvadu sistēmas aktivizēšanas funkciju, sagatavojiet ierīces.

- Bezvadu ierīci
- Putekļu sūcēju, kas atbalsta bezvadu sistēmas aktivizēšanas funkciju

Bezvadu sistēmas aktivizēšanas funkcijas iestatīšanas kopsavilkums. Plašāk par darbībām skatiet šajās sadaļās.

1. Bezvadu ierīces uzstādīšana
2. Darbarīka reģistrācija putekļu sūcējam
3. Bezvadu sistēmas aktivizēšanas funkcijas startēšana

Bezvadu ierīces uzstādīšana

⚠UZMANĪBU: Kad uzstādāt bezvadu ierīci, darbarīku nolieciet uz līdzenas un stabilas virsmas.

IEVĒRĪBAI: Pirms bezvadu ierīces uzstādīšanas no darbarīka notīriet putekļus un netīrumus. Ja bezvadu ierīces atverē iekļūst puteklī vai netīrumi, tie var izraisīt darbības traucējumus.

IEVĒRĪBAI: Lai novērstu statiskās enerģijas radītos darbības traucējumus, pirms bezvadu ierīces pacelšanas pieskarieties statisko enerģiju izlādējošam materiālam, piemēram, darbarīka metāllīksvajai daļai.

IEVĒRĪBAI: Uzstādot bezvadu ierīci, vienmēr pārliecinieties, ka bezvadu ierīce ievietota pareizajā virzienā, un pārsegs ir pilnībā aizvērts.

1. Atveriet darbarīka pārsegu, kā parādīts attēlā.
► Att.27: 1. Pārsegs
2. Bezvadu ierīci pievienojiet atverei un aizveriet pārsegu. Pievienojot bezvadu ierīci, izvirzījumus savietojiet ar padziļinājuma vietām uz atveres.
► Att.28: 1. Bezvadu ierīce 2. Izvirzījums 3. Pārsegs 4. Padziļinājuma daļa

Noņemot bezvadu ierīci, pārsegu atveriet lēni. Ar āķiem pārsega aizmugurē bezvadu ierīce pacelsies līdz ar pārsega atvēršanu.

► Att.29: 1. Bezvadu ierīce 2. Āķis 3. Pārsegs

Pēc bezvadu ierīces noņemšanas glabājiet to komplekta ietvarā vai nestatiskā konteinerā.

IEVĒRĪBAI: Noņemot bezvadu ierīci, vienmēr izmantojiet āķus pārsega aizmugurē. Ja āķi nesatver bezvadu ierīci, tad pārsegu aizveriet un lēni atkal atveriet.

Darbarīka reģistrācija putekļu sūcējam

PIEZĪME: Lai reģistrētu darbarīku, nepieciešams Makita putekļu sūcējs, kas atbalsta bezvadu sistēmas aktivizēšanas funkciju.

PIEZĪME: Vispirms pabeidziet bezvadu ierīci uzstādot darbarīkam, tikai tad sāciet darbarīka reģistrāciju.

PIEZĪME: Darbarīka reģistrācijas laikā nenospiediet slēdža mēlīti un nenospiediet ieslēgšanas slēdzi uz putekļu sūcēja.

PIEZĪME: Skatiet arī putekļu sūcēja lietošanas rokasgrāmatu.

Ja putekļu sūcēju vēlaties aktivizēt reizē ar darbarīka pārslēgšanas darbību, vispirms pabeidziet darbarīka reģistrāciju.

1. Putekļu sūcējā un darbarīkā ielieciet akumulātorus.
2. Gaidstāves slēdzi uz putekļu sūcēja pārslēdziet pozīcijā „AUTO”.
► Att.30: 1. Gaidstāves slēdzis
3. Nospiediet bezvadu sistēmas aktivizēšanas pogu uz putekļu sūcēja un turiet 3 sekundes, līdz bezvadu sistēmas aktivizēšanas lampiņa mirgo zaļā krāsā. Un tad tādā pašā veidā nospiediet bezvadu sistēmas aktivizēšanas pogu uz darbarīka.
► Att.31: 1. Bezvadu sistēmas aktivizēšanas poga 2. Bezvadu sistēmas aktivizēšanas lampiņa

Ja putekļu sūcējs un darbarīks savienoti veiksmīgi, bezvadu sistēmas aktivizēšanas lampiņas 2 sekundes degs zaļā krāsā un tad sāks mirgot zilā krāsā.

PIEZĪME: Bezvadu sistēmas aktivizēšanas lampiņas zaļā krāsā beidz mirgot pēc 20 sekundēm. Kamēr uz putekļu sūcēja mirgo bezvadu sistēmas aktivizēšanas lampiņa, nospiediet bezvadu sistēmas aktivizēšanas pogu uz darbarīka. Ja bezvadu sistēmas aktivizēšanas lampiņa nemirgo zaļā krāsā, uz mirkli piespiediet un atkal paturiet nospiestu bezvadu sistēmas aktivizēšanas pogu.

PIEZĪME: Ja vienam putekļu sūcējam reģistrējat divus vai vairākus darbarīkus, tad darbarīku reģistrāciju pabeidziet secīgi.

Bezvadu sistēmas aktivizēšanas funkcijas startēšana

PIEZĪME: Vispirms pabeidziet darbarīka reģistrāciju putekļu sūcējam, tikai tad aktivizējiet bezvadu sistēmu.

PIEZĪME: Skatiet arī putekļu sūcēja lietošanas rokasgrāmatu.

Kad putekļu sūcējs būs reģistrēts darbarīkam, putekļu sūcējs automātiski darbosies kopā ar darbarīka pārslēgšanas darbību.

1. Uzstādiet bezvadu ierīci darbarīkam.
2. Putekļu sūcēja šļūteni savienojiet ar darbarīku.
► Att.32

3. Gaidstāves slēdzi uz putekļu sūcēja pārslēdziet pozīcijā „AUTO”.

► **Att.33:** 1. Gaidstāves slēdzis

4. Uz mirkli piespiediet bezvadu sistēmas aktivizēšanas pogu uz darbarīka. Bezvadu sistēmas aktivizēšanas lampiņa iemirgosies zilā krāsā.

► **Att.34:** 1. Bezvadu sistēmas aktivizēšanas poga
2. Bezvadu sistēmas aktivizēšanas lampiņa

5. Nospiediet darbarīka slēdža mēlīti. Pārbaudiet, vai putekļu sūcējs darbojas, kamēr slēdža mēlīte ir nospiesta.

Lai apturētu putekļu sūcēja bezvadu sistēmas aktivizēšanu, nospiediet bezvadu sistēmas aktivizēšanas pogu uz darbarīka.

PIEZĪME: Bezvadu sistēmas aktivizēšanas lampiņa uz darbarīka beigs mirgot zilā krāsā, kad darbarīks bezdarbībā būs bijis 2 stundas. Šajā gadījumā gaidstāves slēdzi uz putekļu sūcēja pārslēdziet pozīcijā „AUTO” un atkal nospiediet bezvadu sistēmas aktivizēšanas pogu uz darbarīka.

PIEZĪME: Putekļu sūcējs ieslēdzas/izslēdzas ar aizkavi. Kad putekļu sūcējs konstatē darbarīka pārslēgšanas darbību, rodas laika nobīde.



PIEZĪME: Atrašanās vietas un apkārtnējo apstākļu dēļ var atšķirties bezvadu ierīces signāla uztveršanas attālums.

PIEZĪME: Kad pie viena putekļu sūcēja pieslēgti divi vai vairāki darbarīki, putekļu sūcējs var sākt darboties pat tad, ja nenospiež slēdža mēlīti, jo bezvadu sistēmas aktivizēšanas funkciju izmanto cits lietotājs.

Bezvadu sistēmas aktivizēšanas lampiņas statusa apraksts

► **Att.35:** 1. Bezvadu sistēmas aktivizēšanas lampiņa

Bezvadu sistēmas aktivizēšanas lampiņa rāda bezvadu sistēmas aktivizēšanas funkcijas statusu. Lampiņas statusa nozīme norādīta tabulā.

Statuss	Bezvadu sistēmas aktivizēšanas lampiņa			Ilgums	Apraksts
	Krāsa	 Deg	 Mirgo		
Gaidstāve	Zila	<input checked="" type="checkbox"/>		2 stundas	Putekļu sūcēja bezvadu sistēmas aktivizēšana ir iespējama. Kad darbarīks bezdarbībā būs bijis 2 stundas, lampiņa izslēgsies automātiski.
		<input type="checkbox"/>		Kad darbarīks darbojas.	Putekļu sūcēja bezvadu sistēmas aktivizēšana ir iespējama, darbarīks darbojas.
Darbarīka reģistrācija	Zaļa	<input checked="" type="checkbox"/>		20 sekundes	Sistēma ir gatava darbarīka reģistrācijai. Tiek gaidīta putekļu sūcēja reģistrācija.
		<input type="checkbox"/>		2 sekundes	Darbarīka reģistrācija ir pabeigta. Bezvadu sistēmas aktivizēšanas lampiņa sāks mirgot zilā krāsā.
Darbarīka reģistrācijas atcelšana	Sarkana	<input checked="" type="checkbox"/>		20 sekundes	Sistēma ir gatava darbarīka reģistrācijas atcelšanai. Tiek gaidīta reģistrācijas atcelšana no putekļu sūcēja puses.
		<input type="checkbox"/>		2 sekundes	Darbarīka reģistrācijas atcelšana ir pabeigta. Bezvadu sistēmas aktivizēšanas lampiņa sāks mirgot zilā krāsā.
Cits	Sarkana	<input type="checkbox"/>		3 sekundes	Bezvadu ierīce saņem strāvu, sāk darboties bezvadu sistēmas aktivizēšanas funkcija.
	Nedeg	-		-	Putekļu sūcēja bezvadu sistēmas aktivizēšana ir apturēta.

Darbarīka reģistrācijas atcelšana putekļu sūcējam

Atceļot darbarīka reģistrāciju putekļu sūcējam, jārikojas šādi.

1. Putekļu sūcējā un darbarīkā ielieciet akumulatorus.
2. Gaidstāves slēdzi uz putekļu sūcēja pārslēdziet pozīcijā „AUTO”.

► **Att.36:** 1. Gaidstāves slēdzis

3. Nospiediet bezvadu sistēmas aktivizēšanas pogu uz putekļu sūcēja un turiet 6 sekundes. Bezvadu sistēmas aktivizēšanas lampiņa nomirgo zaļā krāsā un tad kļūst sarkana. Pēc tam tādā pašā veidā nospiediet bezvadu sistēmas aktivizēšanas pogu uz darbarīka.

► **Att.37:** 1. Bezvadu sistēmas aktivizēšanas poga
2. Bezvadu sistēmas aktivizēšanas lampiņa

Ja atcelšana notikusi veiksmīgi, bezvadu sistēmas aktivizēšanas lampiņas 2 sekundes degs sarkanā krāsā un sāks mirgot zilā krāsā.

PIEZĪME: Bezvadu sistēmas aktivizēšanas lampiņas sarkanā krāsā beidz mirgot pēc 20 sekundēm. Kamēr uz putekļu sūcēja mirgo bezvadu sistēmas aktivizēšanas lampiņa, nospiediet bezvadu sistēmas aktivizēšanas pogu uz darbarīka. Ja bezvadu sistēmas aktivizēšanas lampiņa nemirgo sarkanā krāsā, uz mirkli piespiediet un atkal paturiet nospiestu bezvadu sistēmas aktivizēšanas pogu.

Traucējummeklēšana bezvadu sistēmas aktivizēšanas funkcijai

Pirms nodošanas remontā vispirms veiciet pārbaudi pats. Ja konstatējat kļūmi, kas nav aprakstīta rokasgrāmatā, nemēģiniet darbarīku izjaukt. Dodieties uz Makita pilnvarotu apkopes centru un remontam vienmēr izmantojiet tikai Makita rezerves daļas.

Neatbilstošas darbības stāvoklis	Iespējamais iemesls (kļūme)	Risinājums
Bezvadu sistēmas aktivizēšanas lampiņa neiedegas/nemirgo.	Bezvadu ierīce darbarīkā nav uzstādīta. Bezvadu ierīce darbarīkā ir uzstādīta nepareizi.	Uzstādiet bezvadu ierīci pareizi.
	Bezvadu ierīces izvads un/vai atvere ir netīra.	Uzmanīgi noslaukiet putekļus un netīrumus no bezvadu ierīces izvada un iztīriet atveri.
	Bezvadu sistēmas aktivizēšanas poga uz darbarīka nav nospiesta.	Uz mirkli piespiediet bezvadu sistēmas aktivizēšanas pogu uz darbarīka.
	Gaidstāves slēdzis uz putekļu sūcēja nav ieslēgts pozīcijā „AUTO”.	Gaidstāves slēdzi uz putekļu sūcēja pārslēdziet pozīcijā „AUTO”.
	Nav strāvas padeves	Pieslēdziet strāvas padevi darbarīkam un putekļu sūcējam.
Neizdodas veiksmīgi pabeigt darbarīka reģistrāciju/darbarīka reģistrācijas atcelšanu.	Bezvadu ierīce darbarīkā nav uzstādīta. Bezvadu ierīce darbarīkā ir uzstādīta nepareizi.	Uzstādiet bezvadu ierīci pareizi.
	Bezvadu ierīces izvads un/vai atvere ir netīra.	Uzmanīgi noslaukiet putekļus un netīrumus no bezvadu ierīces izvada un iztīriet atveri.
	Gaidstāves slēdzis uz putekļu sūcēja nav ieslēgts pozīcijā „AUTO”.	Gaidstāves slēdzi uz putekļu sūcēja pārslēdziet pozīcijā „AUTO”.
	Nav strāvas padeves	Pieslēdziet strāvas padevi darbarīkam un putekļu sūcējam.
	Nepareiza darbība	Uz mirkli piespiediet bezvadu sistēmas aktivizēšanas pogu un atkal veiciet darbarīka reģistrācijas/atcelšanas procedūru.
	Darbarīks un putekļu sūcējs atrodas tālu viens no otra (ārpus signāla uztveršanas zonas).	Darbarīku un putekļu sūcēju novietojiet tuvāk vienu otram. Maksimālais signāla uztveršanas attālums ir apmēram 10 m, taču apstākļu ietekmē tas var atšķirties.
	Pirms darbarīka reģistrācijas/atcelšanas pabeigšanas - slēdža mēlīte uz darbarīka ir nospiesta vai - ieslēgšanas poga uz putekļu sūcēja ir ieslēgta.	Uz mirkli piespiediet bezvadu sistēmas aktivizēšanas pogu un atkal veiciet darbarīka reģistrācijas/atcelšanas procedūru.
	Darbarīka reģistrācijas procedūra darbarīkam vai putekļu sūcējam nav pabeigta.	Vienlaikus veiciet darbarīka reģistrācijas procedūru gan darbarīkam, gan putekļu sūcējam.
	Radio traucējumi no citām iekārtām, kas ģenerē ļoti intensīvus radio viļņus.	Darbarīku un putekļu sūcēju neturiet tādu iekārtu tuvumā kā bezvadu tehnoloģiju (Wi-Fi) ierīces un mikroviļņu krāsnis.

Neatbilstošas darbības stāvoklis	Iespējamais iemesls (kļūme)	Risinājums
Putekļu sūcējs nedarbojas kopā ar darbarīka pārslēgšanas darbību.	Bezvadu ierīce darbarīkā nav uzstādīta. Bezvadu ierīce darbarīkā ir uzstādīta nepareizi.	Uzstādiet bezvadu ierīci pareizi.
	Bezvadu ierīces izvads un/vai atvere ir netīra.	Uzmanīgi noslaukiet putekļus un netīrumus no bezvadu ierīces izvada un iztīriet atveri.
	Bezvadu sistēmas aktivizēšanas poga uz darbarīka nav nospiesta.	Uz mirkli piespiediet bezvadu sistēmas aktivizēšanas pogu un pārliecinieties, ka bezvadu sistēmas lampiņa mirgo zilā krāsā.
	Gaidstāves slēdzis uz putekļu sūcēja nav ieslēgts pozīcijā „AUTO”.	Gaidstāves slēdzi uz putekļu sūcēja pārslēdziet pozīcijā „AUTO”.
	Pie putekļu sūcēja ir pieslēgti vairāk nekā 10 darbarīki.	Atkārtoti reģistrējiet darbarīku. Ja putekļu sūcējam reģistrēti vairāk nekā 10 darbarīki, automātiski tiks atslēgts vissienāk reģistrētais darbarīks.
	Visu reģistrēto darbarīku iestatījumi ir izdzēsti no putekļu sūcēja.	Atkārtoti reģistrējiet darbarīku.
	Nav strāvas padeves	Pieslēdziet strāvas padevi darbarīkam un putekļu sūcējam.
	Darbarīks un putekļu sūcējs atrodas tālu viens no otra (ārpus signāla uztveršanas zonas).	Darbarīku un putekļu sūcēju novietojiet tuvāk vienu pie otra. Maksimālais signāla uztveršanas attālums ir apmēram 10 m, taču apstākļu ietekmē tas var atšķirties.
	Radio traucējumi no citām iekārtām, kas ģenerē ļoti intensīvus radio viļņus.	Darbarīku un putekļu sūcēju neturiet tādu iekārtu tuvumā kā bezvadu tehnoloģiju (Wi-Fi) ierīces un mikroviļņu krāsnis.
Putekļu sūcējs darbojas, lai gan nav nospiesta darbarīka slēdža mēlīte.	Putekļu sūcēja bezvadu sistēmas aktivizēšanas funkciju saviem darbarīkiem izmanto citi lietotāji.	Izslēdziet citu darbarīku bezvadu aktivizēšanas pogu vai atceliet darbarīka reģistrāciju citiem darbarīkiem.

APKOPE

⚠ UZMANĪBU: Pirms darbarīka pārbaudes vai apkopes vienmēr pārliecinieties, ka darbarīks ir izslēgts un akumulatora kasetne ir izņemta.

IEVĒRĪBAI: Nekad neizmantojiet gāzoliņu, benzīnu, atšķaidītāju, spirtu vai līdzīgus šķidrumus. Tas var radīt izbalēšanu, deformāciju vai plaisas.

Gaisa ventilācijas atveru tīrīšana

Gaisa ventilācijas atverēm jābūt tīrām. Regulāri tīriet darbarīka ventilācijas atveres, kā arī iekreiz, kad atveres nosprostojas.

► **Att.38:** 1. Ieplūdes atvere 2. Ieplūdes atvere

No ieplūdes atveres noņemiet putekļu aizsargu un notīriet, lai gaisa cirkulācija būtu brīva.

► **Att.39:** 1. Putekļu aizsargs

IEVĒRĪBAI: Kad putekļu aizsargs aizsērējis ar netīrumiem vai svešķermeņiem, iztīriet to. Ja darbarīku turpina lietot ar aizsērējušu putekļu aizsargu, darbarīku var sabojāt.

PAPILDU PIEDERUMI

⚠ UZMANĪBU: Šādi piederumi un papildierīces tiek ieteiktas lietošanai ar šajā rokasgrāmatā aprakstīto Makita darbarīku. Izmantojot citus piederumus vai papildierīces, var tikt radīta trauma gūšanas bīstamība. Piederumu vai papildierīci izmantojiet tikai paredzētajam mērķim.

Ja jums vajadzīga palīdzība vai precīzāka informācija par šiem piederumiem, vērsieties savā tuvākajā Makita apkopes centrā.

- Makita oriģinālais akumulators un lādētājs
- Bezvadu ierīce (modeļiem ar bezvadu aktivizēšanas funkciju)

► **Att.40**

-	100 mm modelis	115 mm modelis	125 mm modelis
1	Rokturis 36		
2	Ripas aizsargs (slīpripi)		
3	Iekšējais atloks		
4	Slīpripi ar ieliektu centru/plāksņu disks		
5	Kontruzgrieznis		
6	Balsta starpliņa		
7	Lokanā rīpa		
8	Iekšējais atloks un gumijas starpliņa 76	Gumijas starpliņa 100	Gumijas starpliņa 115
9	Abrazīvā rīpa		
10	Smiļšpapīra jeb smalkās slīpēšanas kontruzgrieznis		
11	Stieplu ripas suka		
12	Kausveida stieplu suka		
13	Ripas aizsargs (griezējripi) *1		
14	Abrazīvā griezējripi/dimanta rīpa		
15	Slīpripi aizsargs ar putekļu savācēju		
-	Kontruzgriezņa atslēga		

PIEZĪME: *1 Dažās Eiropas valstīs, lietojot dimanta rīpu, abas ripas puses sedzošā, īpašā aizsarga vietā var izmantot parasto aizsargu. Ievērojiet savas valsts normatīvus.

PIEZĪME: Daži sarakstā norādītie izstrādājumi var būt iekļauti instrumenta komplektācijā kā standarta piederumi. Tie dažādās valstīs var būt atšķirīgi.

SPECIFIKACIJOS

Modelis:	DGA417	DGA418
Disko skersmuo	100 mm (4")	
Didž. disko storis	6,4 mm	
Veleno sriegis	M10	
Vardinis greitis (n)	8 500 min ⁻¹	
Bendras ilgis	382 mm	
Vardinė įtampa	Nuol. sr. 18 V	
Grynasis svoris	2,2–2,9 kg	
Elektrinis stabdiklis	✓	
Belaidžio aktyvinimo funkcija	-	✓

Modelis:	DGA467	DGA468
Disko skersmuo	115 mm (4-1/2")	
Didž. disko storis	7,2 mm	
Veleno sriegis	M14 arba 5/8" (atsižvelgiant į šalį)	
Vardinis greitis (n)	8 500 min ⁻¹	
Bendras ilgis	382 mm	
Vardinė įtampa	Nuol. sr. 18 V	
Grynasis svoris	2,4–3,1 kg	
Elektrinis stabdiklis	✓	
Belaidžio aktyvinimo funkcija	-	✓

Modelis:	DGA517	DGA518
Disko skersmuo	125 mm (5")	
Didž. disko storis	7,2 mm	
Veleno sriegis	M14 arba 5/8" (atsižvelgiant į šalį)	
Vardinis greitis (n)	8 500 min ⁻¹	
Bendras ilgis	382 mm	
Vardinė įtampa	Nuol. sr. 18 V	
Grynasis svoris	2,4–3,1 kg	
Elektrinis stabdiklis	✓	
Belaidžio aktyvinimo funkcija	-	✓

- Atliekame tęstinius tyrimus ir nuolatos tobuliname savo gaminius, todėl čia pateikiamos specifikacijos gali būti keičiamos be įspėjimo.
- Skirtingose šalyse specifikacijos gali skirtis.
- Svoris gali priklausyti nuo priedo (-ų), įskaitant akumuliatoriaus kasetę. Lengviausias ir sunkiausias deriniai pagal EPTA 2014 m. sausio mėn. procedūrą yra parodyti lentelėje.

Tinkama akumuliatoriaus kasetė

BL1815N / BL1820 / BL1820B / BL1830 / BL1830B / BL1840 / BL1840B / BL1850 / BL1850B / BL1860B

- Atsižvelgiant į gyvenamosios vietos regioną, kai kurios pirmiau nurodytos akumuliatoriaus kasetės gali būti neprieinamos.

⚠ ĮSPĖJIMAS: Naudokite tik akumuliatoriaus kasetes, kurios nurodytos anksčiau. Naudojant bet kurias kitas akumuliatoriaus kasetes, gali kilti sužeidimo ir gaisro pavojus.

Numatytoji naudojimo paskirtis

Įrankis yra skirtas šlifuoti, šlifuoti šlifavimo popieriumi, metalui ir akmeniui pjauti nenaudojant vandens.

Triukšmas

Įprastas triukšmo A lygis, nustatytas pagal EN60745:

Modelis	Garso slėgio lygis (L_{pA}): (dB (A))	Garso galios lygis (L_{WA}): (dB (A))	Paklaida (K): (dB (A))
DGA417	80	-	3
DGA418	80	-	3
DGA467	80	-	3
DGA468	80	-	3
DGA517	79	-	3
DGA518	79	-	3

Dirbant triukšmo lygis gali viršyti 80 dB (A).

▲ ĮSPĖJIMAS: Dėvėkite ausų apsaugą.

Vibracija

Vibracijos bendroji vertė (trიაšio vektoriaus suma) nustatyta pagal EN60745 standartą:

Darbo režimas: paviršiaus šlifavimas naudojant normalią šoninę rankeną

Modelis	Vibracijos emisija ($a_{h, AG}$): (m/s^2)	Paklaida (K): (m/s^2)
DGA417	4,5	1,5
DGA418	4,5	1,5
DGA467	5,5	1,5
DGA468	5,5	1,5
DGA517	6,0	1,5
DGA518	6,0	1,5

Darbo režimas: paviršiaus šlifavimas naudojant antivibracinę šoninę rankeną

Modelis	Vibracijos emisija ($a_{h, AG}$): (m/s^2)	Paklaida (K): (m/s^2)
DGA417	4,5	1,5
DGA418	4,5	1,5
DGA467	5,0	1,5
DGA468	5,0	1,5
DGA517	5,5	1,5
DGA518	5,5	1,5

Darbo režimas: diskinis šlifavimas naudojant normalią šoninę rankeną

Modelis	Vibracijos emisija ($a_{h, DS}$): (m/s^2)	Paklaida (K): (m/s^2)
DGA417	2,5 m/s^2 arba mažiau	1,5
DGA418	2,5 m/s^2 arba mažiau	1,5
DGA467	2,5 m/s^2 arba mažiau	1,5
DGA468	2,5 m/s^2 arba mažiau	1,5
DGA517	2,5 m/s^2 arba mažiau	1,5
DGA518	2,5 m/s^2 arba mažiau	1,5

Darbo režimas: diskinis šlifavimas naudojant antivibracinę šoninę rankeną

Modelis	Vibracijos emisija ($a_{h, ds}$): (m/s^2)	Paklaida (K): (m/s^2)
DGA417	2,5 m/s^2 arba mažiau	1,5
DGA418	2,5 m/s^2 arba mažiau	1,5
DGA467	2,5 m/s^2 arba mažiau	1,5
DGA468	2,5 m/s^2 arba mažiau	1,5
DGA517	2,5 m/s^2 arba mažiau	1,5
DGA518	2,5 m/s^2 arba mažiau	1,5

PASTABA: Paskelbtasis vibracijos emisijos dydis nustatytas pagal standartinį testavimo metodą ir jį galima naudoti vienam įrankiui palyginti su kitu.

PASTABA: Paskelbtasis vibracijos emisijos dydis taip pat gali būti naudojamas preliminariai įvertinti vibracijos poveikį.

⚠️ ĮSPĖJIMAS: Faktiškai naudojant elektrinį įrankį, keliamos vibracijos dydis gali skirtis nuo paskelbtojo dydžio, priklausomai nuo būdų, kuriais yra naudojamas šis įrankis.

⚠️ ĮSPĖJIMAS: Siekdami apsaugoti operatorių, būtina įvertinkite saugos priemones, remdamiesi vibracijos poveikio įvertinimu esant faktinėms naudojimo sąlygoms (atsižvelgdami į visas darbo ciklo dalis, pavyzdžiui, ne tik kiek laiko įrankis veikia, bet ir kiek kartų jis yra išjungiamas bei kai jis veikia be apkravų).

⚠️ ĮSPĖJIMAS: Paskelbtasis keliamos vibracijos dydis galioja naudojant šį elektrinį įrankį pagrindiniams, numatytiems darbams atlikti. Tačiau, jeigu įrankis naudojamas kitiems darbams atlikti, keliamos vibracijos dydis gali būti kitoks.

EB atitikties deklaracija

Tik Europos šalis

EB atitikties deklaracija yra pridėdama kaip šio instrukcijų vadovo A priedas.

SAUGOS ĮSPĖJIMAI

Bendrieji įspėjimai dirbant elektriniais įrankiais

⚠️ ĮSPĖJIMAS: Perskaitykite visus saugos įspėjimus, instrukcijas, iliustracijas ir techninius duomenis, pateiktus kartu su šiuo elektriniu įrankiu. Nesilaikant visų toliau išvardytų instrukcijų galima patirti elektros smūgį, gali kilti gaisras ir (arba) galima sunkiai susižaloti.

Išsaugokite visus įspėjimus ir instrukcijas, kad galėtumėte jas peržiūrėti ateityje.

Terminas „elektrinis įrankis“ pateiktuose įspėjimuose reiškia į maitinimo tinklą jungiamą (laidinį) elektrinį įrankį arba akumulatoriaus maitinamą (belaidį) elektrinį įrankį.

Įspėjimai dėl belaidžio šlifukolio saugos

Bendri saugos įspėjimai šlifuojant, šlifuojant šlifavimo popieriumi, šveičiant vieliniu šepėčiu ir atliekant šlifavimo pjaustymo darbus:

1. Šis elektrinis įrankis skirtas naudoti kaip šlifavimo staklės, šlifuojuvas šlifavimo popieriumi, vielinis šepetys ar pjaustymo įrankis. Perskaitykite visus saugumo įspėjimus, instrukcijas, iliustracijas bei technines sąlygas, pateikiamas kartu su šiuo elektriniu įrankiu. Dėl toliau pateiktų instrukcijų nesilaikymo gali kilti elektros smūgio, gaisro ir (arba) rimto sužeidimo pavojus.
2. Su šiuo elektriniu įrankiu nerekomenduojama atlikti tokių darbų kaip poliravimas. Darbai, kuriems šis elektrinis įrankis nėra skirtas, gali kelti pavojų bei sąlygoti susižeidimą.
3. Nenaudokite priedų, kurie nėra specialiai sukurti ir rekomenduojami įrankio gamintojo. Nors priedai ir galima pritaisyti prie jūsų elektrinio įrankio, tai vistiek neužtikrina saugios eksploatacijos.
4. Nominalusis priedo greitis turi būti bent jau lygus maksimaliam greičiui, nurodytam ant elektrinio įrankio. Priedai, kurie veikia greičiau už vardinį greitį, gali sulūžti ir atsiskirti.
5. Priedo išorinis skersmuo ir storis turi atitikti elektrinio įrankio pajėgumo kategoriją. Netinkamo dydžio priedų negalima tinkamai apsaugoti skydais ar valdyti.
6. Srieginių priedų jungiamoji dalis privalo atitikti šlifukolio veleno sriegį. Priedų, montuojamų naudojant junges, angos velenui dydis privalo tiksliai atitikti jungės fiksavimo skersmenį. Naudojami priedai, kurių dydis neatitinka elektrinio įrankio dalių, prie kurių jie montuojami, dydžio, išbalansuos įrankį, sukels pernelyg didelę vibraciją bei įrankio valdymo praradimą.
7. Nenaudokite sugadinto priedo. Kiekvieną kartą prieš naudodami įrankį patikrinkite jo priedus, pvz., ar šlifavimo diskai nenudaužyti ir nesutrūkę, ar nėra atraminųjų padėklų įtrūkių, plyšių ar jie ne per daug nusidėvėję, ar nėra iškritusių vielinio šepėčio vielų ir ar jos nenulūžusios.

- Jei elektrinis įrankis ar jo priedas buvo numestas, patikrinkite, ar nėra pažeidimų, arba naudokite nepažeistą priedą. Patikrinę ir įtaise priedą, atsistokite bei nuveskite stebintiuosius toliau nuo besisukančio priedo plokštumos ir paleiskite elektrinį įrankį veikti maksimaliu greičiu be apkrovos 1 minutę. Paprastai per šį tikrinimo laiką pažeisti priedai turėtų suskilti.
8. **Naudokite asmeninės apsaugos priemones. Priklausomai nuo pritaikymo, naudokite apsauginį veido skydelį, tamsius arba apsauginius akinius. Kaip pridera, dėvėkite apsaugos nuo dulkių kaukę, klausos apsaugą, pirštines ir dirbtuvės prijuostę, sulaikančią smulkius abrazyvus ar ruošinio skeveldras.** Akių apsauga turi sulaikyti skriejančias nuolaužas, susidariusias įvairių operacijų metu. Apsaugos nuo dulkių kaukė arba respiratorius turi filtruoti darbo metu susidariusias dalelytes. Dėl intensyvaus ilgalaikio triukšmo galima prarasti klausą.
 9. **Laikykite stebintiuosius toliau nuo darbo vietos. Kiekvienas, užeinantis į darbo vietą, turi dėvėti asmeninę apsaugos aprangą.** Ruošinio ar sulūžusio priedo skeveldros gali nuskrieti toliau ir sužeisti asmenis už tuo metu atliekamo darbo zonos.
 10. **Jei dirbant pjovimo įrankis gali kliudyti paslėptus laidus, elektrinį įrankį laikykite tik už izoliuotų paviršių.** Įrankiui prilietus laidą, kuriame yra įtampa, neizoliuotose metalinėse elektrinio įrankio dalyse taip pat gali atsirasti įtampa, dėl kurios operatorius gali patirti elektros smūgį.
 11. **Niekada nepadėkite šio elektrinio įrankio, kol jo priedas nėra visiškai sustojęs.** Greitai besisukantis priedas gali užkabinti paviršių ir jūs galite nebesuvaldyti elektrinio įrankio.
 12. **Nešant įrankį prie savo šono, jis turi būti išjungtas.** Greitai besisukantis priedas gali atsitikinti užkabinti jūsų drabužius ir jus sužaloti.
 13. **Reguliariai išvalykite elektrinio įrankio oro ventiliacijos angas.** Variklio ventiliatorius traukia dulkes į korpuso vidų ir dėl per didelių metalo dulkių sankaupų gali kilti jo elektros įranga susijęs pavojus.
 14. **Nenaudokite elektrinio įrankio būdami netoliese degių medžiagų.** Nuo kibirkščių degiosios medžiagos gali užsidegti.
 15. **Nenaudokite priedų, kuriems reikalingi skysti aušinimo skysčiai.** Naudojant vandenį ar kitą skystį gali iširti mirtina elektros trauma ar elektros smūgis.

Atatranka ir su ja susiję įspėjimai

Atatranka yra staigi reakcija į suspaustą arba sugriebtą besisukantį diską, atraminį padėklą, šepetį ar kitą priedą. Suspaudimas arba sugnybimas sukelia staigų besisukančio priedo sulaikymą, dėl to nevaldomas elektrinis įrankis sulaikomo taške verčiamas judėti priešinga priedo sukimosi kryptimi.

Pavyzdžiui, jeigu šlifavimo diską suspaudžia ruošinys, disko kraštas, kuris patenka į suspaudimo tašką, gali įsikirsti į medžiagos paviršių ir dėl to diskas atšoks. Diskas gali atšokti į operatorių arba nuo jo; tai priklauso nuo disko sukimosi krypties suspaudimo metu. Šlifavimo diskas tokiomis sąlygomis gali ir sulūžti.

Atatranka yra piktnaudžiavimo elektriniu įrankiu ir (arba) netinkamų darbo procedūrų ar sąlygų rezultatas, jos galima išvengti vadovaujantis toliau nurodytomis atsargumo priemonėmis.

1. **Tvirtai laikykite elektrinį įrankį ir stovėkite taip, kad jūsų kūnas bei ranka netrukdytų priešintis atatrankos jėgoms.** Visada naudokite papildomą rankeną, jei tokia yra, kad įjungimo metu galėtumėte maksimaliai valdyti atatranką ar sukamojo momento reakcijas. Operatorius gali valdyti sukamojo momento reakciją bei atatrankos jėgą, jei imasi atitinkamų atsargumo priemonių.
2. **Niekada nelaikykite rankos šalia besisukančio priedo.** Priedas gali atsitrinti į jūsų ranką.
3. **Nebūkite toje zonoje, kurios link judės elektrinis įrankis, jei įvyks atatranka.** Atatranka pastmus įrankį priešinga disko sukimosi kryptimi suspaudimo taške.
4. **Ypač saugokitės apdirbdami kampus, aštirus kraštus ir pan. Stenkitės priedo nesutrenkti ir neužkliudyti.** Besisukantis priedas gali užsikabinti ar atsitrinti į kampus, aštirus kraštus ir sukelti atatranką, o dėl to galima nebesuvaldyti įrankio.
5. **Nenaudokite pjūko grandinės su medį raizančiais asmenimis ar dantytos pjūko grandinės.** Tokie diskai dažnai sukelia atatranką ir įrankio suvaldymo problemų.

Specialūs saugos įspėjimai atliekant šlifavimo ir abrazyvinio pjaustymo darbus:

1. **Naudokite tik tuos diskus, kurie rekomenduojami naudoti su elektriniu įrankiu, ir specialią tam diskui skirtą apsaugą.** Diskai, kurie netinka elektriniams įrankiams, negali būti tinkamai apsaugoti ir yra nesaugūs.
2. **Sumontuotų diskų su įspaustu centru šlifavimo paviršius privalo būti žemiau apsauginio gaubto krašto plokštumos.** Netinkamai sumontuoto disko, kuris kyšo pro apsauginio gaubto krašto plokštumą, nebus galima tinkamai apsaugoti.
3. **Apsauga turi būti tinkamai pritvirtinta prie elektrinio įrankio, o siekiant apsaugoti kuo labiau, uždėta taip, kad kuo mažesnė disko dalis galėtų paveikti operatorių.** Apsauginis gaubtas padeda apsaugoti operatorių nuo atskilusių disko dalelių ir netyčinio prisilietimo prie disko bei žiežirbų, kurios gali uždegti drabužius.
4. **Diskai turi būti naudojami tik pagal rekomenduojamą paskirtį. Pavyzdžiui, nešlifukokite pjovimo disko šonu.** Šlifuojantys pjovimo diskai yra skirti periferiniam šlifavimui, todėl diskus veikiančios šoninės jėgos juos gali suskaldyti.
5. **Visada naudokite tik nesugadintas diskų junges, kurios pasirinktame diskui yra tinkamo dydžio bei formos.** Tinkamos diskų jungės prilaiko diską, mažindamos disko trūkimo tikimybę. Pjovimo diskams skirtos jungės gali skirtis nuo šlifavimo diskų jungių.
6. **Nenaudokite nusidėvėjusių diskų nuo didesnių elektrinių įrankių.** Didiesiems elektriniams įrankiams skirti diskai netinka greičiau besisukančiam mažesniai įrankiui, jie gali sutrūkinėti į tūkstančius dalių.

Papildomi specialūs saugos įspėjimai atliekant abrazyvinio pjaustymo darbus:

1. **Saugokite, kad pjovimo diskas neįstrigtų, ir pernelyg nespaukite.** Nemėginkite atlikti pernelyg gilių pjūvių. Per stipriai spaudžiant, padidėja apkrova ir disko persikreipimo ar užstrigimo pavojyje tikimybė bei atatrankos ar disko lūžimo galimybė.

- Nestovėkite vienoje eilėje su besisukančiu disku ir už jo. Kai diskas veikimo metu juda nuo jūsų kūno, galima atatranka gali pastumti besisukančią diską ir elektrinį įrankį tiesiai į jus.
- Kai diskas užstrigo arba kai pjovimas dėl kitų priežasčių nutraukiamas, išjunkite elektrinį įrankį ir nejudinkite jo, kol diskas visiškai nestovs sukis. Niekada nebandykite išimti pjovimo disko iš pjūvio, kai diskas sukasi, nes gali susidaryti atatranka. Ištrinkite ir imkitės tinkamų veiksmų, kad pašalintumėte disko užstrigimo priežastį.
- Nepradėkite iš naujo pjauti, kai diskas ruošinyje. Leiskite, kad diskas pasiektų visą greitį ir tik tada atsargiai įleiskite jį į pjūvį. Diskas gali įstrigti, iššokti arba atšokti, jeigu elektrinis įrankis bus iš naujo paleistas diskui esant ruošinyje.
- Plokštes ar kitus per didelio dydžio ruošinius paimkite ir taip sumažinkite pavojų, kad diskas bus suspaustas ir atšoks. Dideli ruošiniai linksta dėl savo pačių svorio. Ruošinį reikia paimti iš abiejų disko pusių, šalia pjovimo linijos ir prie ruošinio krašto.
- Ypač būkite atsargūs įpjaudami sienas arba kitas aklines vietas. Atsikišęs diskas gali prapjauti dujų ar vandens vamzdžius, elektros laidus arba objektus, kurie gali sukelti atatranką.

Specialūs saugos įspėjimai atliekant šlifavimo darbus šlifavimo popieriumi:

- Nenaudokite itin didelio dydžio šlifavimo disko popieriaus. Laikykitės gamintojo rekomendacijų, kai renkatės šlifavimo popierių. Didesnis šlifavimo popierius, kuris išsikiša už šlifavimo padėklo ribų, gali sukelti įplėšimo pavojų, dėl to gali lūžti diskas arba įvykti atatranka.

Specialūs saugos įspėjimai dirbant su vieliniu šepėčiu:

- Atkreipkite dėmesį, kad vieliniai šereliai krinta iš šepėčio netgi įprasto naudojimo metu. Nespauskite per daug šerelių, naudodami didelį jėgą šepėčiu. Vieliniai šereliai gali lengvai pradurti ploną drabužių ir (arba) odą.
- Jeigu rekomenduojama naudoti vielinio šepėčio apsaugą, neleiskite, kad vielinis diskas ar šepetys būtų naudojami be apsaugos. Vielinio disko ar šepėčio skersmuo dėl darbinio krūvio ir išcentrinų jėgų poveikio gali padidėti.

Papildomi saugos įspėjimai:

- Naudodami nuspaustus centrinius šlifavimo diskus, būtinai naudokite tik stiklo pluoštu sustiprintus diskus.
- Su šiuo šlifuoekliu NIEKADA NENAUDOKITE taurelės formos akmeninio šlifavimo disko. Šis šlifuoeklis nėra skirtas naudoti su šio tipo diskais, todėl naudojant tokį gaminį galima sunkiai susižeisti.
- Nepažeiskite veleno, jungės (ypač montavimo paviršiaus) ir fiksavimo galvutės. Dėl šių dalių pažeidimų gali lūžti diskas.
- Prieš įjungdami jungiklį patikrinkite, ar diskas nesiliečia su ruošiniu.
- Prieš naudodami įrankį su ruošiniu, leiskite jam kurį laiką veikti be apkrovos. Stebėkite, ar nėra vibracijos ar klibėjimo, rodančių, jog blogai surinkta ar kad blogai subalansuotas diskas.

- Šlifavimui naudokite nurodyto paviršiaus diską.
- Nepalikite veikiančio įrankio. Naudokite įrankį tik laikydami rankomis.
- Nelieskite ruošinio iškart po naudojimo; jis gali būti itin karštas ir nudeginti odą.
- Laikykitės gamintojo nurodymų apie teisingą disko uždėjimą ir naudojimą. Su diskais elkitės ir juos laikykite rūpestingai.
- Nenaudokite atskirų mažinimo įvorių arba adapterių, skirtų didelių skylių šlifuojamiesiems diskams uždėti.
- Naudokite tik šiam įrankiui nurodytas junges.
- Jei naudojate įrankius, kuriems skirti diskai su sriegiu, įsitinkinkite, ar sriegis diske yra pakankamai ilgas, kad tiktų veleno ilgis.
- Patikrinkite, ar ruošinys yra tinkamai palaikomas.
- Atkreipkite dėmesį, kad išjungus įrankį diskas toliau sukasi.
- Jei darbo vieta yra ypač karšta ir drėgna arba labai užteršta laidžiomis dulkelėmis, naudokite užtrumpinimo pertraukiklį (30 mA), kad užtikrintumėte naudojimo saugumą.
- Nenaudokite įrankio su bet kokiais medžiagomis, kuriose yra asbesto.
- Kai naudojate pjovimo diską, visuomet dirbkite su dulkes renkančia disko apsauga, kurios reikalauja vietinės taisyklės.
- Pjovimo diską negalima spausti iš šonų.
- Nenaudokite medžiaginių pirštinių darbo metu. Medžiaginių pirštinių audinio pluoštų gali patekti į įrankį, todėl įrankis gali sugesti.

SAUGOKITE ŠIAS INSTRUKCIJAS.

⚠️ ĮSPĖJIMAS: NELEISKITE, kad patogumas ir gaminio pažinimas (gyjamas pakartotinai naudojant) susilpnintų griežtą saugos taisyklių, taikytinų šiam gaminiui, laikymąsi. Dėl NETINKAMO NAUDOJIMO arba saugos taisyklių, kurios pateiktos šioje instrukcijoje, nesilaikymo galima rimtai susižeisti.

Svarbios saugos instrukcijos, taikomos akumulatoriaus kasetei

- Prieš naudodami akumulatoriaus kasetę, perskaitykite visas instrukcijas ir perspėjimus ant (1) akumuliatorių įkroviklio, (2) akumuliatorių ir (3) akumuliatorių naudojančio gaminio.
- Neardykite akumulatoriaus kasetės.
- Jei įrankio darbo laikas žymiai sutrumpėjo, nedelsdami nutraukite darbą su įrankiu. Tai gali kelti perkaitimo, nudegimų ar net sprogo pavojų.
- Jei elektrolitas pateko į akis, plaukite jas tyru vandeniu ir nedelsdami kreipkitės į gydytoją. Gali kilti regėjimo praradimo pavojus.
- Neužtrumpinkite akumulatoriaus kasetės:
 - Nelieskite kontaktų degiomis medžiagomis.

(2) Venkite laikyti akumulatoriaus kasetę kartu su kitais metaliniais daiktais, pavyzdžiui, vinimis, monetomis ir pan.

(3) Saugokite akumulatoriaus kasetę nuo vandens ir lietaus.

Trumpasis jungimas akumuliatoriuje gali sukelti stiprią srovę, perkaitimą, galimus nudegimus ar net akumulatoriaus gedimą.

6. Nelaiykite įrankio ir akumulatoriaus kasetės vietose, kur temperatūra gali pasiekti ar viršyti 50 °C.
7. Nedeginkite akumulatoriaus kasetės, net jei yra stipriai pažeista ar visiškai susidėvėjusi. Ugnyje akumulatoriaus kasetė gali sprogti.
8. Saugokite akumuliatorių nuo kritimo ir smūgių.
9. Nenaudokite pažeisto akumulatoriaus.
10. Įdėtoms ličio jonų akumuliatoriams taikomi Pavojingų prekių teisės akto reikalavimai. Komeracinis transportas, pvz., trečiųjų šalių, prekių vežimo atstovų, turi laikytis specialaus reikalavimo ant pakuotės ir ženklavimo. Norėdami paruošti siūstiną prekę, pasitarkite su pavojingų medžiagų specialistu. Be to, laikykitės galimai išsamesnių nacionalinių reglamentų. Užklijuokite juosta arba padenkite atvirus kontaktus ir supakuokite akumuliatorių taip, kad jį pakuotėje nejudėtų.
11. Vadovaukitės vietos įstatymais dėl akumuliatorių išmetimo.
12. Baterijas naudokite tik su „Makita“ nurodytais gaminiais. Baterijas įdėjus į netinkamus gaminius gali kilti gaisras, gaminyje pernelyg kaisti, kilti sproginimas arba pratekėti elektrolitas.

SAUGOKITE ŠIAS INSTRUKCIJAS.

▲PERSPĖJIMAS: Naudokite tik originalų „Makita“ akumuliatorių. Neoriginalaus „Makita“ arba pakeisto akumulatoriaus naudojimas gali nulemti gaisrą, asmens sužalojimą ir pažeidimą. Tai taip pat panaikina „Makita“ suteikiamą „Makita“ įrankio ir įkroviklio garantiją.

Patarimai, ką daryti, kad akumulatorius veiktų kuo ilgiau

1. Pakraukite akumulatoriaus kasetę prieš jai visiškai išsikraunant. Visuomet nustokite naudoti įrankį ir pakraukite akumulatoriaus kasetę, kai pastebite, kad įrankio galia sumažėjo.
2. Niekada nekraukite iki galo įkrautos akumulatoriaus kasetės. Perkraunant trumpėja akumulatoriaus eksploatacijos laikas.
3. Akumulatoriaus kasetę kraukite esant kambario temperatūrai 10 - 40 °C. Prieš pradėdami krauti, leiskite įkaitusiai akumulatoriaus kasetei atvėsti.
4. Įkraukite akumulatoriaus kasetę, jei jos nenaudojate ilgą laiką (ilgiau nei šešis mėnesius).

Svarbios saugumo instrukcijos dėl belaidžio bloko

1. Neardykite ir nekeiskite belaidžio bloko.
2. Laikykite belaidį bloką vaikams nepasiekiamoje vietoje. Netyčia prarijus reikia nedelsiant kreiptis į medikus.
3. Naudokite belaidį bloką tik su „Makita“ įrankiais.
4. Saugokite belaidį bloką nuo lietaus ir nenaudokite jo esant drėgnoms oro sąlygoms.
5. Nenaudokite belaidžio bloko vietose, kur temperatūra viršija 50°C.
6. Nenaudokite belaidžio bloko netoli medicinos instrumentų, pavyzdžiui, širdies stimuliatorių.
7. Nenaudokite belaidžio bloko netoli automatiinių prietaisų. Automatiniai prietaisai gali sugesti arba gali įvykti klaida.
8. Belaidis blokas gali sukurti elektromagnetinius laukus (EML), bet jie naudotojui nekenksmingi.
9. Belaidis blokas yra tikslusis instrumentas. Saugokite belaidį bloką nuo kritimo ir smūgių.
10. Nelieskite belaidžio bloko kontakto plikomomis rankomis arba metaliniais įrankiais.
11. Įdėdami belaidį bloką visada išimkite įrankio akumuliatorių.
12. Atidarydami angos dangtelį venkite vietų, kur į ją gali patekti dulkių ir vandens. Anga visada turi būti švari.
13. Belaidį bloką visada dėkite reikiama kryptimi.
14. Per smarkiai nespauskite belaidžio aktyvinimo mygtuko ant belaidžio bloko, nespauskite jo aštriu daiktu.
15. Dirbdami visada uždarykite angos dangtelį.
16. Kai įrankiui tiekiamas maitinimas, niekada neimkite belaidžio bloko iš angos. Kitaip belaidis blokas gali sugesti.
17. Nenuimkite lipduko nuo belaidžio bloko.
18. Neklijuokite jokio lipduko ant belaidžio bloko.
19. Nepalikite belaidžio bloko ten, kur gali atsirasti statinis elektros krūvis arba elektrinis triukšmas.
20. Nepalikite belaidžio bloko karštoje vietoje, pavyzdžiui, automobilyje prieš saulę.
21. Nepalikite belaidžio bloko dulkečioje ar miltuotoje vietoje arba ten, kur gali atsirasti šėdinančiųjų dujų.
22. Nuo staigus temperatūros pokyčio belaidis blokas gali aprasoti. Nenaudokite belaidžio bloko, kol rasa visiškai nenudžiūvo.
23. Norėdami nuvalyti belaidį bloką, švelniai pavalykite sausa minkšta šluoste. Nenaudokite benzino, skiediklio, laidaus tepalo ir panašių medžiagų.
24. Laikykite belaidį bloką pridėtame dėkle arba nuo statinio krūvio apsaugotoje taroje.
25. Nekiškite į įrankio angą jokių kitų prietaisų, išskyrus „Makita“ belaidį bloką.
26. Nenaudokite įrankio, kurio angos dangtelis pažeistas. Į angą patekęs vanduo, dulkės ir purvas gali jį sugadinti.
27. Netraukite ir (arba) nesukite angos dangtelio daugiau, nei reikia. Atstatykite dangtelį į vietą, jei jis nukrinta nuo įrankio.
28. Pakeiskite angos dangtelį, jei jo nėra arba jis pažeistas.

SAUGOKITE ŠIAS INSTRUKCIJAS.

VEIKIMO APRAŠYMAS

⚠️ PERSPĖJIMAS: Prieš pradėdami reguliuoti arba tikrinti įrankio veikimą, visuomet būtinai išjunkite įrankį ir išimkite akumuliatoriaus kasetę.

Akumuliatoriaus kasetės uždėjimas ir nuėmimas

⚠️ PERSPĖJIMAS: Prieš įdėdami arba išimdami akumuliatoriaus kasetę, visada išjunkite įrankį.

⚠️ PERSPĖJIMAS: Įdėdami arba išimdami akumuliatoriaus kasetę, tvirtai laikykite įrankį ir akumuliatoriaus kasetę. Jeigu įrankį ir akumuliatoriaus kasetę laikysite netvirtai, jie gali išslįsti iš jūsų rankų, todėl įrankis ir akumuliatoriaus kasetė gali būti sugadinti, o naudotojas sužalotas.

- **Pav.1:** 1. Raudonas indikatorius 2. Mygtukas 3. Akumuliatoriaus kasetė

Jei norite išimti akumuliatoriaus kasetę, ištraukite ją iš įrankio, stumdami mygtuką, esantį kasetės priekyje.

Jei norite įdėti akumuliatoriaus kasetę, sulygiuokite liežuvelį ant akumuliatoriaus kasetės su grioveliu korpuso ir įstumkite į jai skirtą vietą. Įdėkite iki galo, kol spragtelėdama užsifiksuos. Jeigu matote raudoną indikatorius viršutinėje mygtuko pusėje, ji nėra visiškai užfiksuota.

⚠️ PERSPĖJIMAS: Akumuliatoriaus kasetę visada įkiškite iki galo, kol nebematysite raudono indikatorius. Priešingu atveju ji gali atsitiktinai iškristi iš įrankio, sužeisti jus arba aplinkinius.

⚠️ PERSPĖJIMAS: Nekiškite akumuliatoriaus kasetės jėga. Jeigu kasetė sunkiai lenda, ją kišate netinkamai.

Likusios akumuliatoriaus galios rodymas

Tik akumuliatoriaus kasetėms su indikatoriumi

- **Pav.2:** 1. Indikatorius lemputės 2. Tikrinimo mygtukas

Paspauskite akumuliatoriaus kasetės tikrinimo mygtuką, kad būtų rodoma likusi akumuliatoriaus energija. Maždaug trims sekundėms užsidegs indikatorius lemputės.

Indikatorių lemputės			Likusi galia
Šviečia	Nešviečia	Blyksi	
■	□	◐	75 - 100 %
■ ■ ■ ■	□	□	50 - 75 %
■ ■	□ □	□	25 - 50 %
■	□ □ □	□	0 - 25 %
◐	□ □ □	□	Įkraukite akumuliatorių.

Indikatorių lemputės			Likusi galia
Šviečia	Nešviečia	Blyksi	
■	□	◐	Galimai įvyko akumuliatoriaus veikimo triktis.
■ ■ □ □	□ □	□ □	
□ □	■ ■	■ ■	

PASTABA: Rodmuo gali šiek tiek skirtis nuo faktinės energijos lygio – tai priklauso nuo naudojimo sąlygų ir aplinkos temperatūros.

Likusios akumuliatoriaus galios rodymas

Priklausomai nuo šalies

Įjungus įrankį, akumuliatoriaus indikatorius rodo likusį akumuliatoriaus įkrovos lygį.

- **Pav.3:** 1. Akumuliatoriaus indikatorius

Toliau pateiktoje lentelėje pavaizduoti likusio akumuliatoriaus įkrovos lygio rodmenys.

Akumuliatoriaus indikatorius būseną			Likusi akumuliatorių galia
Šviečia	Nešviečia	Blyksi	
			50–100 %
			20–50 %
			0–20 %
			Įkraukite akumuliatorių

Įrankio / akumuliatoriaus apsaugos sistema

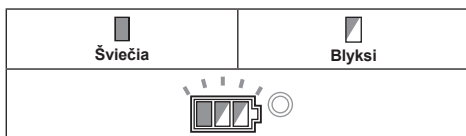
Įrankyje įrengta įrankio / akumuliatoriaus apsaugos sistema. Ši sistema automatiškai atjungia variklio maitinimą, kad įrankis ir akumuliatorius ilgiau veiktų. Įrankis automatiškai išsijungs darbo metu esant vienai iš toliau nurodytų įrankio arba akumuliatoriaus darbo sąlygų:

Apsauga nuo perkrovos

Kai įrankis naudojamas taip, kad neįprastai padidėja elektros srovė, įrankis automatiškai išsijungia be jokių indikatorius įspėjimų. Tokiu atveju atleiskite įrankio gaiduką ir nutraukite darbą, dėl kurio kilo įrankio perkrova. Po to vėl įjunkite įrankį.

Apsauga nuo perkaitimo

Įrankiui perkaitus, jis automatiškai išsijungia, o akumuliatoriaus indikatorius rodo toliau pavaizduotą būseną. Tokiu atveju palaukite, kol įrankis atvės, prieš vėl jį įjungdami.



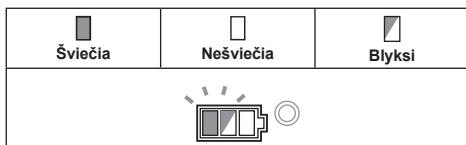
Jei įrankis neįsijungia, akumuliatorius gali būti perkaitęs. Toku atveju palaukite, kol akumuliatorius atvės, prieš vėl įjungdami įrankį.

Apsauga nuo visiško išsekimo

Kai akumuliatoriaus įkrovos lygis nepakankamas, įrankis automatiškai išsijungia. Toku atveju ištraukite akumuliatorių iš įrankio ir įkraukite jį.

Apsauginio stabdiklio išjungimas

Kelias kartus suveikus apsaugos sistemai, įrankis užblokuojamas, o akumuliatoriaus indikatorius rodo toliau pavaizduotą būseną. Toku atveju įrankis neįsijungia net ir pabandžius jį išjungti ir vėl įjungti. Norėdami išjungti apsauginį stabdiklį, išimkite akumuliatorių, įdėkite jį į akumuliatoriaus įkroviklį ir palaukite, kol jis bus įkrautas.



Ašies fiksatorius

Paspauskite ašies fiksatorių, kad velenas nesisuktų, kai dedate ar nuimate priedus.

► **Pav.4:** 1. Ašies fiksatorius

PASTABA: Niekada neįjunkite ašies fiksatoriaus, kai velenas juda. Įrankis galis sugesti.

Jungiklio veikimas

⚠ PERSPĖJIMAS: Prieš dėdami keičiamąjį akumuliatorių į įrankį, visada patikrinkite, ar svirtinis jungiklis tinkamai veikia ir atleistas grįžta į padėtį OFF (išjungta).

⚠ PERSPĖJIMAS: Negalima stipriai spausti svirtinio jungiklio, nenuspaudus atlaisvinimo svirtelės. Taip galima sugadinti jungiklį.

⚠ PERSPĖJIMAS: Jūsų pačių saugumui šiame įrankyje įrengta atlaisvinimo svirtis, kuri neleidžia netyčia įjungti įrankio. NIEKADA nenaudokite veikiančio įrankio, jeigu nuspaudėte tik gaiduką, nepatraukę atlaisvinimo svirties. PRIEŠ pradėdami vėl naudoti įrankį, atiduokite jį suremontuoti į mūsų įgaliotąjį techninės priežiūros centrą.

⚠ PERSPĖJIMAS: NIEKADA neužklijuokite lipnia juostele ir nepanaikinkite atlaisvinimo svirtelės paskirties bei funkcijos.

Įtaisyta atlaisvinimo svirtelė apsaugo nuo svirtinio jungiklio atsitiktinio nuspaudimo.

Norėdami įjungti įrankį, patraukite atlaisvinimo svirtelę savęs link ir paspauskite svirtinį jungiklį.

Norėdami išjungti įrankį, atleiskite svirtinį jungiklį.

► **Pav.5:** 1. Atlaisvinimo svirtelė 2. Svirtinis jungiklis

Greičio reguliavimo ratukas

Prietaiso sukimosi greitį galima keisti sukančiant greičio reguliavimo ratuką. Toliau pateiktoje lentelėje parodytas skaičius skalėje ir atitinkamas sukimosi greitis.

► **Pav.6:** 1. Greičio reguliavimo ratukas



Skaičius	Greitis
1	3 000 min ⁻¹
2	4 500 min ⁻¹
3	6 000 min ⁻¹
4	7 500 min ⁻¹
5	8 500 min ⁻¹

PASTABA: Jeigu prietaisu ilgą laiką be pertraukos dirbama nedideliu greičiu, variklis bus perkrautas ir prietaisas suges.

PASTABA: Keisdami greitį nuo „5“ iki „1“, sukite ratuką prieš laikrodžio rodyklę. Nesukite rankenėlės pagal laikrodžio rodyklę per jėgą.

Automatinio greičio keitimo funkcija

► **Pav.7:** 1. Režimo indikatorius

Režimo indikatorius būsena	Veikimo režimas
	Didelio greičio režimas
	Didelio sukimo momento režimas

Šis įrankis turi didelio greičio režimą ir didelio sukimo momento režimą. Jis automatiškai perjungia darbo režimą atsižvelgiant į darbo apkravą. Kai dirbant užsidega režimo indikatoriaus lemputė, įrankis veikia didelio sukimo momento režimu.

Apsaugos nuo netyčinio įjungimo funkcija

Net jei dedant keičiamąjį akumuliatorių bus spaudžiamas svirtinis jungiklis, įrankis neįsijungs. Norėdami įjungti įrankį, pirmiausia atleiskite svirtinį jungiklį. Paskui patraukite atlaisvinimo svirtelę, o tada patraukite svirtinį jungiklį.

Elektroninės sukimo momento kontrolės funkcija

Įrankio elektroniniai įtaisai aptinka situacijas, kuriose diskas arba priedas gali užstrigti. Tokie situacijose įrankis automatiškai išsijungia, kad velenas nebūtų toliau sukamas (ši funkcija neapsaugo nuo atatrakos). Norėdami iš naujo įjungti įrankį, pirmiausia išjunkite jį, pašalinkite staiga užstrigimo priežastį, tada vėl įjunkite įrankį.

Tolygaus įjungimo funkcija

Tolygus įjungimas slopina įjungimo reakciją.

Elektrinis stabdys

Elektrinis stabdys suaktyvinamas išjungus įrankį. Stabdys neveikia atjungus maitinimą, pvz., atsitiktinai ištraukus akumuliatorių, tačiau neišjungus jungiklio.

SURINKIMAS

▲PERSPĖJIMAS: Prieš pradėdami reguliuoti arba tikrinti įrankio veikimą, visuomet būtinai išjunkite įrankį ir išimkite akumuliatoriaus kasetę.

Šoninės rankenos montavimas

▲PERSPĖJIMAS: Prieš naudodami visuomet įsitikinkite, ar šoninė rankena yra patikimai uždėta.

Prisukite šoninę rankeną patikimai jos vietoje, kaip parodyta paveikslėlyje.

► Pav.8

Apsauginio gaubto uždėjimas arba nuėmimas (diskui su įgaubtu centru, poliravimo diskui, lankščiajam diskui, vieliniam disko formos šepetėliui / šlifuojamajam pjovimo diskui, deimantiniam diskui)

▲JSPĖJIMAS: Kai naudojate diską su įgaubtu centru, poliravimo diską, lankstųjį diską arba vielinį disko formos šepetėlį, apsauginis disko gaubtas turi būti uždėtas ant įrankio taip, kad uždaras apsauginio gaubto šonas visuomet būtų atsuktas į operatorių.

▲JSPĖJIMAS: Naudodami šlifuojamąjį pjovimo / deimantinį diską, būtinai naudokite tik specialų apsauginį gaubtą, skirtą naudoti su pjovimo diskais.

(Tam tikrose Europos šalyse naudojant deimantinį diską, galima naudoti įprastą apsauginį gaubtą. Vadovaukitės jūsų šalyje galiojančiomis taisyklėmis.)

Įrankiui su fiksuojamo varžto tipo disko apsauga

Uždėkite disko apsaugą ant disko apsauginės juostos, išsikišimus sutapdinę su įrantomis ties guolių dėže. Tada pasukite disko apsaugą tokiu kampu, kad ji galėtų apsaugoti operatorių darbo metu. Būtinai patikimai priveržkite varžtą.

Jei norite išimti disko apsaugą, laikykitės montavimo procedūros atvirkščia tvarka.

► Pav.9: 1. Disko apsauga 2. Guolių dėžė 3. Varžtas

Įrankiui su suveržimo svirties tipo disko apsauga

Atlaisvinkite varžtą, tada traukite svirtį rodyklės kryptimi. Uždėkite disko apsaugą ant disko apsauginės juostos, išsikišimus sutapdinę su įrantomis ties guolių dėže. Tada pasukite disko apsaugą tokiu kampu, kad ji galėtų apsaugoti operatorių darbo metu.

► Pav.10: 1. Disko apsauga 2. Guolių dėžė 3. Varžtas 4. Svirtis

Traukite svirtelę rodyklės kryptimi. Tuomet fiksuojamuoju varžtu priveržkite disko apsaugą. Būtinai patikimai priveržkite varžtą. Nustatomą disko apsaugos kampą galima reguliuoti svirtelė.

► Pav.11: 1. Varžtas 2. Svirtis

Jei norite išimti disko apsaugą, laikykitės montavimo procedūros atvirkščia tvarka.

Disko su įgaubtu centru arba poliravimo disko uždėjimas ir nuėmimas

Pasirenkamas priedas

▲JSPĖJIMAS: Kai naudojate diską su įgaubtu centru arba poliravimo diską, apsauginis disko gaubtas turi būti uždėtas ant įrankio taip, kad uždaras apsauginio gaubto šonas visuomet būtų atsuktas į operatorių.

▲PERSPĖJIMAS: Įsitikinkite, ar vidinės jungės tvirtinimo dalis puikiai telpa į disko su įgaubtu centru / poliravimo disko vidinį skersmenį. Sumontavus vidinę jungę netinkamoje pusėje, gali kilti pavojinga vibracija.

Uždėkite vidinę jungę ant veleno.

Vidinės jungės įranyta dalis būtinai turi būti uždėta ant tiesios dalies ties veleno apačia.

Uždėkite diską su įgaubtu centru / poliravimo diską ant vidinės jungės ir užsukite ant veleno antveržlę.

► Pav.12: 1. Fiksavimo veržlė 2. Nuspaustas centrinis diskas 3. Vidinė jungė 4. Tvirtinimo dalis

Jei norite priveržti fiksavimo galvutę, stipriai paspauskite ašies fiksatorių taip, kad velenas negalėtų sukstis, tada pasinaudokite fiksavimo galvutės raktu ir patikimai priveržkite pagal laikrodžio rodyklę.

► Pav.13: 1. Fiksavimo galvutės raktas 2. Ašies fiksatorius

Jei norite nuimti diską, laikykitės uždėjimo procedūros atvirkščia tvarka.

Lankščiojo disko uždėjimas ir nuėmimas

Pasirenkamas priedas

▲JSPĖJIMAS: Visada naudokite pateiktą apsauginį gaubtą, kai ant įrankio uždėtas lankstusis diskas. Naudojimo metu diskas gali subyrėti, o apsauginis gaubtas sumažina galimybę susižeisti.

► Pav.14: 1. Fiksavimo veržlė 2. Lankstusis diskas 3. Atraminis pagrindas 4. Vidinė jungė

Vadovaukitės diskui su įgaubtu centru taikomais nurodymais, bet ant disko taip pat uždėkite atraminį pagrindą. Žr. uždėjimo eilės tvarką, aprašytą šio vadovo priedų puslapyje.

Šlifavimo disko uždėjimas ir nuėmimas

Pasirenkamas priedas

PASTABA: Naudokite šiame vadove išvardintus papildomus šlifavimo priedus. Juos reikia įsigyti atskirai.

Naudojant 100 mm modelį

- **Pav.15:** 1. Šlifavimo priedo fiksuojamoji veržlė
2. Šlifavimo diskas 3. Guminis pagrindas
4. Vidinė jungė

1. Uždėkite vidinę jungę ant veleno.
2. Uždėkite ant ašies guminį pagrindą.
3. Uždėkite diską ant guminio pagrindo ir užsukite antveržlę ant veleno.
4. Laikykite veleną su ašies fiksatoriumi ir fiksuojamosios veržlės veržliarakčiu pagal laikrodžio rodyklę gerai priveržkite šlifavimo priedo fiksuojamąją veržlę.

Jei norite nuimti diską, laikykitės uždėjimo procedūros atvirkščia tvarka.

115 mm / 125 mm modeliui

- **Pav.16:** 1. Šlifavimo priedo fiksuojamoji veržlė
2. Šlifavimo diskas 3. Guminis pagrindas

1. Uždėkite ant ašies guminį pagrindą.
2. Uždėkite diską ant guminio pagrindo ir užsukite antveržlę ant veleno.
3. Laikykite veleną su ašies fiksatoriumi ir fiksuojamosios veržlės veržliarakčiu pagal laikrodžio rodyklę gerai priveržkite šlifavimo priedo fiksuojamąją veržlę.

Jei norite nuimti diską, laikykitės uždėjimo procedūros atvirkščia tvarka.

Dulkių siurblio prijungimas

Pasirenkamas priedas

⚠️ JSPĖJIMAS: Niekada nesiurbkite metalo dalelių, susidariusių šlifuojant / pjaunant / šlifuojant šlifavimo popieriumi. Atliekant tokį darbą susidariusios metalo dalelės yra tiek įkaitusios, kad gali uždegti dulkes ir vakuuminio valymo įrenginyje esantį filtrą.

Norėdami išvengti dulketos aplinkos, kuri susidaro pjaunant mūrą, naudokite dulkes renkančio disko saugiklį ir vakuuminį valymo įrenginį.

Informacijos, kaip surinkti ir naudoti dulkes renkančio disko saugiklį, ieškokite prie jo pridėtoje naudojimo instrukcijoje.

- **Pav.17:** 1. Dulkes renkantis disko saugiklis
2. Vakuuminio valymo įrenginio žarna

NAUDOJIMAS

⚠️ JSPĖJIMAS: Dirbant įrankiu niekada nereikėtų naudoti jėgos. Įrankio svoris sukelia pakankamą spaudimą. Jėgos naudojimas ir per didelis spaudimas kelia disko lūžimo pavojų.

⚠️ JSPĖJIMAS: VISUOMET pakeiskite diską, jei įrankis iškrito šlifavimo metu.

⚠️ JSPĖJIMAS: NIEKADA nedaužykite šlifavimo disko į ruošinį.

⚠️ JSPĖJIMAS: Venkite disko atšokimų ir užkliuvimų, ypač kai apdorojate kampus, aštrius kraštus ir pan. Dėl to galima nesuvaldyti įrankio ir jis gali atšokti.

⚠️ JSPĖJIMAS: NIEKADA nenaudokite įrankio su medžio pjovimo ašmenimis ir kitomis pjūklo geležtėmis. Tokius ašmenis naudojant su šlifuotuvu dažnai įvyksta atotranka, dėl kurios įrankis tampa nevaldomas ir gali sužeisti žmogų.

⚠️ PERSPĖJIMAS: NIEKADA neįjunkite įrankio, kai jis liečiasi su ruošiniu, kadangi galite susižeisti.

⚠️ PERSPĖJIMAS: Dirbdami visuomet dėvėkite apsauginius akinius arba veido skydelį.

⚠️ PERSPĖJIMAS: Panaudoję įrankį visuomet jį išjunkite ir prieš padėdami įrankį palaukite, kol diskas visiškai sustos.

⚠️ PERSPĖJIMAS: VISUOMET laikykite įrankį tvirtai, vieną ranką uždėję ant korpuso, o kitą – ant šoninės rankenos.

Šlifavimas ir šlifavimas švitriniumi popieriumi

► Pav.18

Įjunkite įrankį ir tada disku apdirbkite ruošinį.

Laikykite disko kraštą pakreiptą apie 15° laipsnių kampą į ruošinio paviršų.

Naujo disko apšilimo laikotarpiu nedirbkite šlifuokliu pakreipimo į priekį kryptimi, kadangi jis gali įpjauti ruošinį. Kai disko kraštas naudojant suapvalėja, disku galima dirbti kryptimis į priekį ir atgal.

Šlifuojamojo pjovimo disko / deimantinio disko naudojimas

Pasirenkamas priedas

▲ISPĖJIMAS: Naudodami šlifuojamąjį pjovimo / deimantinį diską, būtinai naudokite tik specialų apsauginį gaubtą, skirtą naudoti su pjovimo diskais.

(Tam tikrose Europos šalyse naudojant deimantinį diską, galima naudoti įprastą apsauginį gaubtą. Vadovaukitės jūsų šalyje galiojančiomis taisyklėmis.)

▲ISPĖJIMAS: NIEKADA nenaudokite pjovimo disko šonams šlifuoti.

▲ISPĖJIMAS: Nespauskite disko ir nenaudokite pernelyg didelio slėgio. Nemėginkite atlikti pernelyg gilių pjūvių. Pernelyg spaudžiant diską, padidėja apkrova ir tikimybė, kad diskas persikreips arba įstrigs pjūvyje; taip pat atsiranda atitrūkimas, disko lūžimo ir variklio perkaitimo galimybė.

▲ISPĖJIMAS: Nepradėkite pjauti atrėmę diską į ruošinį. Palaukite, kol diskas ims sukintis visu greičiu, ir atsargiai nuleiskite jį į pjūvį, stumdami įrankį pirmyn ruošinio paviršiumi. Jeigu elektrinį įrankį paleisite ruošinyje, diskas gali įstrigti, pasislinkti arba atšokti.

▲ISPĖJIMAS: Pjaudami niekada nekeiskite disko kampo. Spaudžiant pjovimo diską iš šono (pvz., šlifuojant), diskas gali įtrūkti ar sulūžti, sukeldamas pavojų susižeisti.

▲ISPĖJIMAS: Deimantinį diską reikia naudoti tik nukreipus jį statmenai pjaunamai medžiagai.

- **Pav.19:** 1. Fiksavimo veržlė 2. Šlifuojamasis pjovimo diskas / deimantinis diskas 3. Vidinė jungė 4. Apsauginis gaubtas šlifuojamajam pjovimo diskui / deimantiniam diskui

Norėdami sumontuoti diską su įgaubtu centru, vykdykite jam skirtas instrukcijas.

Antveržlės ir vidinės jungės montavimo kryptis priklauso nuo disko tipo ir storio.
Žr. šiuos paveikslėlius.

Naudojant 100 mm modelį

Montuojant šlifuojamąjį pjovimo diską:

- **Pav.20:** 1. Fiksavimo veržlė 2. Šlifujamasis pjovimo diskas (plonesnis nei 4 mm) 3. Šlifujamasis pjovimo diskas (4 mm ar storesnis) 4. Vidinė jungė

Montuojant deimantinį diską:

- **Pav.21:** 1. Fiksavimo veržlė 2. Deimantinis diskas (plonesnis nei 4 mm) 3. Deimantinis diskas (4 mm ar storesnis) 4. Vidinė jungė

115 mm / 125 mm modeliui

Montuojant šlifuojamąjį pjovimo diską:

- **Pav.22:** 1. Fiksavimo veržlė 2. Šlifujamasis pjovimo diskas (plonesnis nei 4 mm) 3. Šlifujamasis pjovimo diskas (4 mm ar storesnis) 4. Vidinė jungė

Montuojant deimantinį diską:

- **Pav.23:** 1. Fiksavimo veržlė 2. Deimantinis diskas (plonesnis nei 4 mm) 3. Deimantinis diskas (4 mm ar storesnis) 4. Vidinė jungė

Vielinio, taurelės formos šepetėlio naudojimas

Pasirenkamas priedas

▲PERSPĖJIMAS: Patikrinkite, kaip veikia šepetėlis, paleidę įrankį veikti be apkrovų ir įsitikinę, kad niekas nestovi priešais arba vienoje linijoje su šepetėliu.

▲PERSPĖJIMAS: Nenaudokite apgadinto arba išbalansuoto šepetėlio. Naudojant apgadintą šepetėlį, prisilietus prie aplūžusių šepetėlio vielių, galima susižeisti.

- **Pav.24:** 1. Vielinis šepetėlis

Išimkite keičiamąjį akumuliatorių iš įrankio ir padėkite įrankį apversta, kad galėtumėte lengvai pasiekti veleną. Nuimkite nuo veleno visus priedus. Užsukite ant veleno vielinį taurelės formos šepetėlį ir priveržkite jį pateiktuoju veržliarakčiu.

PASTABA: Nespauskite pernelyg stipriai, kadangi naudojant šepetėlį gali sulinkti šereliai. Šepetėlis gali sulūžti pirma laiko.

Vielinio, disko formos šepetėlio naudojimas

Pasirenkamas priedas

▲PERSPĖJIMAS: Patikrinkite, kaip veikia vielinis, disko formos šepetėlis, paleidę įrankį veikti be apkrovų ir įsitikinę, kad niekas nestovi priešais arba vienoje linijoje su vieliniu, disko formos šepetėliu.

▲PERSPĖJIMAS: Nenaudokite apgadinto arba išbalansuoto vielinio, disko formos šepetėlio. Naudojant apgadintą vielinį, disko formos šepetėlį, prisilietus prie aplūžusių šepetėlio vielių, galima susižeisti.

▲PERSPĖJIMAS: Naudodami vielinius, disko formos šepetėlius, VISADA naudokite apsauginį gaubtą, kuriame tilptų atitinkamo skersmens diskas. Naudojimo metu diskas gali subyrėti, o apsauginis gaubtas sumažina galimybę susižeisti.

- **Pav.25:** 1. Vielinis disko formos šepetėlis

Išimkite keičiamąjį akumuliatorių iš įrankio ir padėkite įrankį apversta, kad galėtumėte lengvai pasiekti veleną. Nuimkite nuo veleno visus priedus. Užsukite vielinį disko formos šepetėlį ant veleno ir priveržkite veržliarakčiais.

PASTABA: Nespauskite pernelyg stipriai, kadangi naudojant vielinį disko formos šepetėlį gali sulinkti šereliai. Šepetėlis gali sulūžti pirma laiko.

BELAIŽIO AKTYVINIMO FUNKCIJA

Tik DGA418/DGA468/DGA518

Ką galima padaryti su belaidžio aktyvinimo funkcija?

Belaidžio aktyvinimo funkcija leidžia dirbti švariai ir patogiai. Pridėtą vakuuminį valymo įrenginį prijungę prie įrankio, galite automatiškai jį paleisti jungdami įrankį.

► **Pav.26**

Norėdami naudoti belaidžio aktyvinimo funkciją, pasiruškite šiuos daiktus:

- belaidį bloką;
- vakuuminį valymo įrenginį, kuris palaiko belaidžio aktyvinimo funkciją.

Toliau pateikiama belaidžio aktyvinimo funkcijos nustatymo apžvalga. Kiekvienoje dalyje rasite detalias procedūras.

1. Belaidžio bloko įdėjimas
2. Įrankio nustatymas vakuoliniame valymo įrenginyje
3. Belaidžio aktyvinimo funkcijos paleidimas

Belaidžio bloko įdėjimas

⚠ PERSPĖJIMAS: Įdėdami belaidį bloką, padėkite įrankį ant stabilaus plokščio paviršiaus.

PASTABA: Prieš įdėdami belaidį bloką, nuo įrankio nuvalykite dulkes ir purvą. Patekusios į belaidžio bloko angą, dulės arba purvas gali sukelti gedimą.

PASTABA: Norėdami išvengti gedimo, kurį gali sukelti statinis elektros krūvis, prieš paimdami belaidį bloką palieskite medžiagą, per kurią išeina statinis elektros krūvis, pavyzdžiui, metalinę įrankio dalį.

PASTABA: Įdėdami belaidį bloką, visada įsitinkite, kad dedate reikiama kryptimi ir kad dangtelis iki galo uždarytas.

1. Atidarykite įrankio dangtelį, kaip parodyta paveikslėlyje.

► **Pav.27:** 1. Dangtelis

2. Įdėkite belaidį bloką į angą ir uždarykite dangtelį. Įdėdami belaidį bloką, iškyšas sulygiuokite su angos išėmomis.

► **Pav.28:** 1. Belaidis blokas 2. Iškyša 3. Dangtelis 4. Išėma

Norėdami išimti belaidį bloką, lėtai atidarykite dangtelį. Traukiant dangtelį, jo galinėje pusėje esantys kabliukai iškels belaidį bloką.

► **Pav.29:** 1. Belaidis blokas 2. Kabliukas 3. Dangtelis

Išėmę belaidį bloką laikykite pridėtame dėkle arba nuo statinio krūvio apsaugotoje taroje.

PASTABA: Išimdami belaidį bloką visada naudokitės galinėje dangtelio pusėje esančiais kabliukais. Jei kabliukai nepagauna belaidžio bloko, iki galo uždarykite dangtelį ir vėl lėtai jį atidarykite.

Įrankio nustatymas vakuoliniame valymo įrenginyje

PASTABA: Įrankiui nustatyti reikalingas „Makita“ vakuuminis valymo įrenginys, palaikantis belaidžio aktyvinimo funkciją.

PASTABA: Prieš pradėdami nustatyti įrankį, įdėkite į jį belaidį bloką.

PASTABA: Nustatydami įrankį, netraukite gaiduko ir neįjunkite vakuuminio valymo įrenginio maitinimo.

PASTABA: Taip pat žr. vakuuminio valymo įrenginio naudojimo instrukciją.

Jei norite aktyvinti vakuuminį valymo įrenginį įrankio jungikliu, prieš tai nustatykite įrankį.

1. Įdėkite akumuliatorių į vakuuminį valymo įrenginį ir įrankį.

2. Vakuuminio valymo įrenginio parengties jungiklį nustatykite ties „AUTO“.

► **Pav.30:** 1. Parengties jungiklis

3. 3 sekundes spauskite belaidžio aktyvinimo mygtuką ant vakuuminio valymo įrenginio, kol belaidžio aktyvinimo lemputė ims mirksėti žaliai. Tada tokiu pat būdu paspauskite belaidžio aktyvinimo mygtuką ant įrankio.

► **Pav.31:** 1. Belaidžio aktyvinimo mygtukas 2. Belaidžio aktyvinimo lemputė

Jei vakuuminis valymo įrenginys ir įrankis sėkmingai susieti, belaidžio aktyvinimo lemputės 2 sekundes švies žaliai ir ims mirksėti mėlynai.

PASTABA: Belaidžio aktyvinimo lemputės nustoja mirksėti žaliai po 20 sekundžių. Kai mirksi valymo įrenginio belaidžio aktyvinimo lemputė, paspauskite belaidžio aktyvinimo mygtuką ant įrankio. Jei belaidžio aktyvinimo lemputė nemirksi žaliai, trumpai paspauskite belaidžio aktyvinimo mygtuką ir vėl palaikykite jį nuspaudę.

PASTABA: Jei norite nustatyti du ar daugiau įrankių viename vakuoliniame valymo įrenginyje, nustatykite juos po vieną.

Belaidžio aktyvinimo funkcijos paleidimas

PASTABA: Prieš belaidį aktyvinimą nustatykite įrankį vakuoliniame valymo įrenginyje.

PASTABA: Taip pat žr. vakuuminio valymo įrenginio naudojimo instrukciją.

Nustačius įrankį vakuoliniame valymo įrenginyje, jis automatiškai įsijungs įjungus įrankį.

1. Įdėkite belaidį bloką į įrankį.

2. Sujunkite vakuuminio valymo įrenginio žarną su įrankiu.

► **Pav.32**

3. Vakuuminio valymo įrenginio parengties jungiklį nustatykite ties „AUTO“.

► **Pav.33:** 1. Parengties jungiklis

4. Trumpai paspauskite belaidžio aktyvinimo mygtuką ant įrankio. Belaidžio aktyvinimo lemputė mirksės mėlynai.

- **Pav.34:** 1. Belaidžio aktyvinimo mygtukas
2. Belaidžio aktyvinimo lemputė

5. Patraukite įrankio gaiduką. Patikrinkite, ar patraukus gaiduką vakuuminis valymo įrenginys veikia.

Norėdami sustabdyti belaidį vakuuminio valymo įrenginio aktyvinimą, paspauskite belaidžio aktyvinimo mygtuką ant įrankio.

PASTABA: Nenaudojant 2 valandas, belaidžio aktyvinimo lemputė ant įrankio nustos mirksėti mėlynai. Šiuo atveju parengties jungiklį ant vakuuminio valymo įrenginio nustatykite ties „AUTO“ ir vėl paspauskite belaidžio aktyvinimo mygtuką ant įrankio.

PASTABA: Vakuuminis valymo įrenginys ima veikti ir sustoja šiek tiek uždelęs. Praeina šiek tiek laiko, kol vakuuminis valymo įrenginys nustato, kad buvo panaudotas įrankio jungiklis.

PASTABA: Belaidžio bloko perdavimo atstumas gali skirtis priklausomai nuo vietos ir aplinkybių.

PASTABA: Kai viename vakuuiniame valymo įrenginyje yra nustatyti du ar daugiau įrankių, vakuuminis valymo įrenginys gali imti veikti net jei nepatraukėte gaiduko, nes kitas naudotojas naudoja belaidžio aktyvinimo funkciją.

Belaidžio aktyvinimo lemputės būsenos aprašymas

- **Pav.35:** 1. Belaidžio aktyvinimo lemputė

Belaidžio aktyvinimo lemputė rodo belaidžio aktyvinimo funkcijos būseną. Lemputės būsenos reikšmės pateiktos tolesnėje lentelėje.

Būsena	Belaidžio aktyvinimo lemputė			Trukmė	Aprašymas
	Spalva	Šviečia	Mirksi		
Parengtis	Mėlyna	<input checked="" type="checkbox"/>		2 valandos	Galimas belaidis vakuuminio valymo įrenginio aktyvinimas. Nenaudojant 2 valandas lemputė automatiškai užges.
		<input type="checkbox"/>		Kai įrankis yra naudojamas.	Galimas belaidis vakuuminio valymo įrenginio aktyvinimas ir įrankis yra naudojamas.
Įrankio nustatymas	Žalia	<input checked="" type="checkbox"/>		20 sekundžių	Pasirengęs nustatyti įrankį. Laukiama, kol įrankis bus nustatytas vakuuiniame valymo įrenginyje.
		<input type="checkbox"/>		2 sekundės	Įrankis nustatytas. Belaidžio aktyvinimo lemputė ims mirksėti mėlynai.
Įrankio nustatymo atšaukimas	Raudona	<input checked="" type="checkbox"/>		20 sekundžių	Pasiruošęs atšaukti įrankio nustatymą. Laukiama, kol įrankio nustatymas bus atšauktas vakuuiniame valymo įrenginyje.
		<input type="checkbox"/>		2 sekundės	Įrankio nustatymas atšauktas. Belaidžio aktyvinimo lemputė ims mirksėti mėlynai.
Kita	Raudona	<input type="checkbox"/>		3 sekundės	Belaidis blokas yra maitinamas ir ima veikti belaidžio aktyvinimo funkcija.
	Nešviečia	-		-	Belaidis vakuuminio valymo įrenginio aktyvinimas sustabdytas.

Įrankio nustatymo vakuuiniame valymo įrenginyje atšaukimas

Norėdami atšaukti įrankio nustatymą vakuuiniame valymo įrenginyje, atlikite šią procedūrą.

1. Įdėkite akumulatorius į vakuuminį valymo įrenginį ir įrankį.

2. Vakuuminio valymo įrenginio parengties jungiklį nustatykite ties „AUTO“.

- **Pav.36:** 1. Parengties jungiklis

3. 6 sekundes spauskite belaidžio aktyvinimo mygtuką ant vakuuminio valymo įrenginio. Belaidžio aktyvinimo lemputė mirksi žaliai ir tampa raudona. Paskui tokiu pat būdu paspauskite belaidžio aktyvinimo mygtuką ant įrankio.

- **Pav.37:** 1. Belaidžio aktyvinimo mygtukas
2. Belaidžio aktyvinimo lemputė

Jei atšaukti pavyko, belaidžio aktyvinimo lemputės 2 sekundes švies raudonai ir ims mirksėti mėlynai.

PASTABA: Belaidžio aktyvinimo lemputės nustoja mirksėti raudonai po 20 sekundžių. Kai mirksi valymo įrenginio belaidžio aktyvinimo lemputė, paspauskite belaidžio aktyvinimo mygtuką ant įrankio. Jei belaidžio aktyvinimo lemputė nemirksi raudonai, trumpai paspauskite belaidžio aktyvinimo mygtuką ir vėl palaikykite jį nuspaudę.

Belaidžio aktyvinimo funkcijos trikčių šalinimas

Prieš kreipdamiesi dėl remonto darbų, pirmiausia patikrinkite gedimus patys. Kilus problemų, apie kurias nepaaiškinta vartotojo vadove, nemėginkite ardyti įrankio. Kreipkitės į įgaliotuosius „Makita“ techninės priežiūros centrus, kuriuose remontui visuomet naudojamos originalios „Makita“ keičiamosios dalys.

Neįprasta būklė	Tikėtina priežastis (triktis)	Ištaisomoji priemonė
Belaidžio aktyvinimo lemputė nešviečia arba nemirksi.	Belaidis blokas neįdėtas į įrankį. Belaidis blokas netinkamai įdėtas į įrankį.	Taisyklingai įdėkite belaidį bloką.
	Belaidžio bloko kontaktas ir (arba) anga yra purvini.	Švelniai nuvalykite dulkes ir purvą nuo belaidžio bloko kontakto ir išvalykite angą.
	Belaidžio aktyvinimo mygtukas ant įrankio nebuvo paspaustas.	Trumpai paspauskite belaidžio aktyvinimo mygtuką ant įrankio.
	Vakuuminio valymo įrenginio parengties jungiklis nenustatytas ties „AUTO“.	Vakuuminio valymo įrenginio parengties jungiklį nustatykite ties „AUTO“.
	Nėra maitinimo	Prijunkite įrankio ir vakuuminio valymo įrenginio maitinimą.
Nepavyksta nustatyti įrankio / atšaukti jo nustatymo.	Belaidis blokas neįdėtas į įrankį. Belaidis blokas netinkamai įdėtas į įrankį.	Taisyklingai įdėkite belaidį bloką.
	Belaidžio bloko kontaktas ir (arba) anga yra purvini.	Švelniai nuvalykite dulkes ir purvą nuo belaidžio bloko kontakto ir išvalykite angą.
	Vakuuminio valymo įrenginio parengties jungiklis nenustatytas ties „AUTO“.	Vakuuminio valymo įrenginio parengties jungiklį nustatykite ties „AUTO“.
	Nėra maitinimo	Prijunkite įrankio ir vakuuminio valymo įrenginio maitinimą.
	Netinkamai atlikta procedūra	Trumpai paspauskite belaidžio aktyvinimo mygtuką ir iš naujo atlikite įrankio nustatymo / atšaukimo procedūras.
	Įrankis ir vakuuminis valymo įrenginys yra toli vienas nuo kito (už perdavimo diapazono ribų).	Padėkite įrankį ir vakuuminį valymo įrenginį arčiau vienas kito. Didžiausias perdavimo atstumas yra maždaug 10 m, bet jis gali skirtis pagal aplinkybes.
	Prieš nustatant / atšaukiant įrankį: - patraukiamas gaidukas ant įrankio arba - įjungiamas maitinimo mygtukas ant vakuuminio valymo įrenginio.	Trumpai paspauskite belaidžio aktyvinimo mygtuką ir iš naujo atlikite įrankio nustatymo / atšaukimo procedūras.
	Neatliktos įrankio nustatymo procedūros įrankyje arba vakuuminiame valymo įrenginyje.	Tuo pačiu metu atlikite įrankio nustatymo procedūras įrankyje ir vakuuminiame valymo įrenginyje.
	Kitų prietaisų, generuojančių didelio intensyvumo radijo bangas, keliami radijo bangų trikdžiai.	Patraukite įrankį ir vakuuminį valymo įrenginį toliau nuo tokių prietaisų kaip belaidžio ryšio įrenginiai ir mikrobangų krosnelės.

Neįprasta būklė	Tikėtina priežastis (triktis)	Ištaisomoji priemonė
Vakuuminis valymo įrenginys neveikia įjungus įrankio jungiklį.	Belaidis blokas neįdėtas į įrankį. Belaidis blokas netinkamai įdėtas į įrankį.	Taisyklingai įdėkite belaidį bloką.
	Belaidžio bloko kontaktas ir (arba) anga yra purvini.	Švelniai nuvalykite dulkes ir purvą nuo belaidžio bloko kontakto ir išvalykite angą.
	Belaidžio aktyvinimo mygtukas ant įrankio nebuvo paspaustas.	Trumpai paspauskite belaidžio aktyvinimo mygtuką ir patikrinkite, ar belaidžio aktyvinimo lemputė mirksi mėlynai.
	Vakuuminio valymo įrenginio parengties jungiklis nenustatytas ties „AUTO“.	Vakuuminio valymo įrenginio parengties jungiklį nustatykite ties „AUTO“.
	Vakuuiniame valymo įrenginyje yra nustatyta daugiau kaip 10 įrankių.	Iš naujo nustatykite įrankį. Jei vakuuiniame valymo įrenginyje nustatyta daugiau kaip 10 įrankių, anksčiausiai nustatytas įrankis bus automatiškai atšauktas.
	Vakuuminis valymo įrenginys ištrynė visus įrankių nustatymus.	Iš naujo nustatykite įrankį.
	Nėra maitinimo	Prijunkite įrankį ir vakuuminio valymo įrenginio maitinimą.
	Įrankis ir vakuuminis valymo įrenginys yra toli vienas nuo kito (už perdavimo diapazono ribų).	Padėkite įrankį ir vakuuminį valymo įrenginį arčiau vienas kito. Didžiausias perdavimo atstumas yra maždaug 10 m, bet jis gali skirtis pagal aplinkybes.
	Kitų prietaisų, generuojančių didelio intensyvumo radijo bangas, keliama radijo bangų trikdžiai.	Patraukite įrankį ir vakuuminį valymo įrenginį toliau nuo tokių prietaisų kaip belaidžio ryšio įrenginiai ir mikrobangų krosnelės.
Vakuuminis valymo įrenginys veikia nepatraukus įrankio gaiduko.	Kiti naudotojai naudoja belaidį vakuuminio valymo įrenginio aktyvinimą su savo įrankiais.	Išjunkite kitų įrankių belaidžio aktyvinimo mygtuką arba atšaukite kitų įrankių nustatymą.

TECHNINĖ PRIEŽIŪRA

▲PERSPĖJIMAS: Visuomet įsitikinkite, ar įrankis yra išjungtas ir akumulatoriaus kasetė yra nuimta prieš atlikdami apžiūrą ir priežiūrą.

PASTABA: Niekada nenaudokite gazolino, benzino, tirpiklio, spirito arba panašių medžiagų. Gali atsirasti išblukimų, deformacijų arba įtrūkimų.

Oro ventiliacijos angų valymas

Prižiūrėkite, kad įrankis ir jo oro angos būtų švarios. Reguliariai išvalykite įrankio oro angas arba tada, kai jos užsikemša.

► **Pav.38:** 1. Oro išleidimo anga 2. Oro įleidimo anga

Nuimkite gaubtelį nuo dulkių nuo oro įėjimo angos ir nuvalykite jį, kad oras galėtų laisvai cirkuluoti.

► **Pav.39:** 1. Gaubtelis nuo dulkių

PASTABA: Nuvalykite gaubtelį nuo dulkių, kai jis užsikemša dėl dulkių arba pašalinių medžiagų. Toliau naudojant įrankį, kai gaubtelis nuo dulkių užsikimšęs, įrankis gali sugesti.

PASIRENKAMI PRIEDAI

⚠ PERSPĖJIMAS: Šiuos papildomus priedus arba įtaisus rekomenduojama naudoti su šioje instrukcijoje nurodytu „Makita“ bendrovės įrankiu. Naudojant bet kokius kitus papildomus priedus arba įtaisus, gali kilti pavojus sužeisti žmones. Naudokite tik nurodytam tikslui skirtus papildomus priedus arba įtaisus.

Jeigu norite daugiau sužinoti apie tuos priedus, kreipkitės į artimiausią „Makita“ techninės priežiūros centrą.

- Originalus „Makita“ akumuliatorius ir įkroviklis
- Belaidis įrenginys (modeliams su belaidžio aktyvinimo funkcija)

► **Pav.40**

-	100 mm modelis	115 mm modelis	125 mm modelis
1	Rankena 36		
2	Disko apsauga (šlifavimo diskui)		
3	Vidinė jungė		
4	Diskas su įgaubtu centru / poliravimo diskas		
5	Fiksavimo veržlė		
6	Atraminis pagrindas		
7	Lankstusis diskas		
8	Vidinė jungė ir guminis tarpiklis 76	Guminis padas 100	Guminis padas 115
9	Šlifavimo diskas		
10	Šlifavimo priedo fiksuojamoji veržlė		
11	Vielinis disko formos šepetėlis		
12	Vielinis šepetėlis		
13	Disko apsauga (pjovimo diskui) *1		
14	Šlifuojamasis pjovimo diskas / deimantinis diskas		
15	Dulkes renkantis disko saugiklis		
-	Fiksavimo galvutės raktas		

PASTABA: *1 Kai kuriose Europos šalyse, naudojant deimantinį diską, vietoj specialiosios apsaugos, dengiančios abi disko puses, galima naudoti įprastą apsaugą. Vadovaukitės jūsų šalyje galiojančiomis taisyklėmis.

PASTABA: Kai kurie sąrašė esantys priedai gali būti pateikti įrankio pakuotėje kaip standartiniai priedai. Jie įvairiose šalyse gali skirtis.

TEHNILISED ANDMED

Mudel:	DGA417	DGA418
Ketta läbimõõt	100 mm (4")	
Max ketta paksus	6,4 mm	
Võlli keere	M10	
Nimikiirus (n)	8 500 min ⁻¹	
Üldpikkus	382 mm	
Nimipinge	Alalisvool 18 V	
Netokaal	2,2–2,9 kg	
Elektriline pidur	✓	
Juhtmeta aktiveerimise funktsioon	-	✓

Mudel:	DGA467	DGA468
Ketta läbimõõt	115 mm (4-1/2")	
Max ketta paksus	7,2 mm	
Võlli keere	M14 või 5/8" (riigiti erinev)	
Nimikiirus (n)	8 500 min ⁻¹	
Üldpikkus	382 mm	
Nimipinge	Alalisvool 18 V	
Netokaal	2,4–3,1 kg	
Elektriline pidur	✓	
Juhtmeta aktiveerimise funktsioon	-	✓

Mudel:	DGA517	DGA518
Ketta läbimõõt	125 mm (5")	
Max ketta paksus	7,2 mm	
Võlli keere	M14 või 5/8" (riigiti erinev)	
Nimikiirus (n)	8 500 min ⁻¹	
Üldpikkus	382 mm	
Nimipinge	Alalisvool 18 V	
Netokaal	2,4–3,1 kg	
Elektriline pidur	✓	
Juhtmeta aktiveerimise funktsioon	-	✓

- Meie pideva uuringu- ja arendusprogrammi tõttu võidakse tehnilisi andmeid muuta ilma sellest ette teatamata.
- Tehnilised andmed võivad riigiti erineda.
- Kaal võib erineda olenevalt lisaseadistest, kaasa arvatud akukassetist. Kergeim ja raskeim kombinatsioon EPTA-protseduuri 01/2014 kohaselt on toodud tabelis.

Sobiv akukassett

BL1815N / BL1820 / BL1820B / BL1830 / BL1830B / BL1840 / BL1840B / BL1850 / BL1850B / BL1860B

- Mõned eespool loetletud akukassetid ei pruugi olla teie riigis saadaval.

⚠ HOIATUS: Kasutage ainult ülalpool loetletud akukassette. Muude akukassetide kasutamine võib tekitada vigastusi ja/või tulekahju.

Kavandatud kasutus

Tööriist on ette nähtud metallide ja kivimaterjali veeta käimiseks, lihvimiseks ja lõikamiseks.

Müra

Tüüpiline A-korrigeeritud müratase, määratud standardi EN60745 kohaselt:

Mudel	Helirõhutase (L_{pA}): (dB(A))	Helivõimsuse tase (L_{WA}): (dB(A))	Määramatus (K): (dB(A))
DGA417	80	-	3
DGA418	80	-	3
DGA467	80	-	3
DGA468	80	-	3
DGA517	79	-	3
DGA518	79	-	3

Töötamisel võib müratase ületada 80 dB (A).

⚠ HOIATUS: Kasutage kõrvakaitsmeid.

Vibratsioon

Vibratsiooni koguväärtus (kolmeteljeliste vektorite summa) määratud standardi EN60745 kohaselt:

Töörežiim: pinna lihvimine tavalise külgakäepideme kasutamisega

Mudel	Vibratsioonitase ($a_{h, AG}$): (m/s ²)	Määramatus (K): (m/s ²)
DGA417	4,5	1,5
DGA418	4,5	1,5
DGA467	5,5	1,5
DGA468	5,5	1,5
DGA517	6,0	1,5
DGA518	6,0	1,5

Töörežiim: pinna lihvimine vibratsioonikindla külgakäepideme kasutamisega

Mudel	Vibratsioonitase ($a_{h, AG}$): (m/s ²)	Määramatus (K): (m/s ²)
DGA417	4,5	1,5
DGA418	4,5	1,5
DGA467	5,0	1,5
DGA468	5,0	1,5
DGA517	5,5	1,5
DGA518	5,5	1,5

Töörežiim: ketaslihvimine tavalise külgakäepideme kasutamisega

Mudel	Vibratsioonitase ($a_{h, DS}$): (m/s ²)	Määramatus (K): (m/s ²)
DGA417	2,5 m/s ² või vähem	1,5
DGA418	2,5 m/s ² või vähem	1,5
DGA467	2,5 m/s ² või vähem	1,5
DGA468	2,5 m/s ² või vähem	1,5
DGA517	2,5 m/s ² või vähem	1,5
DGA518	2,5 m/s ² või vähem	1,5

Töörežiim: ketaslihvimine vibratsioonikindla külgakäepideme kasutamisega

Mudel	Vibratsioonitase ($a_{h, DS}$): (m/s ²)	Määramatus (K): (m/s ²)
DGA417	2,5 m/s ² või vähem	1,5
DGA418	2,5 m/s ² või vähem	1,5
DGA467	2,5 m/s ² või vähem	1,5
DGA468	2,5 m/s ² või vähem	1,5
DGA517	2,5 m/s ² või vähem	1,5
DGA518	2,5 m/s ² või vähem	1,5

MÄRKUS: Deklareeritud vibratsiooniheite väärtus on mõõdetud kooskõlas standardse testimismeetodiga ning seda võib kasutada ühe seadme võrdlemiseks teisega.

MÄRKUS: Deklareeritud vibratsiooniheite väärtust võib kasutada ka mürataseme esmaseks hindamiseks.

⚠️HOIATUS: Vibratsiooniitase võib elektritööriista tegelikkuses kasutamise ajal erineda deklareeritud väärtusest olenevalt tööriista kasutamise viisidest.

⚠️HOIATUS: Rakendage operaatori kaitsmiseks kindlasti piisavaid ohutusabinõusid, mis põhinevad hinnangulisel müratasemel tegelikus töösihtasutuses (võttes arvesse tööperioodi kõiki osasid, nagu näiteks korrad, kui seade lülitatakse välja ja seade töötab tühikäigul, lisaks tööajale).

⚠️HOIATUS: Deklareeritud vibratsiooniheite väärtust kasutatakse elektritööriista peamisest otstarbest lähtudes. Kui tööriista kasutatakse muul otstarbel, võib vibratsiooniheite väärtus olla erinev.

EÜ vastavusdeklaratsioon

Ainult Euroopa riikide puhul

EÜ vastavusdeklaratsioon sisaldub käesoleva juhendi Lisas A.

OHUTUSHOIATUSED

Üldised elektritööriistade ohutushoiatused

⚠️HOIATUS: Lugege läbi kõik selle elektritööriistaga kaasas olevad ohutushoiatused, juhised, joonised ja tehnilised andmed. Järgnevate juhiste eiramine võib põhjustada elektrilöögi, süttimise ja/või raske kehavigastuse.

Hoidke edaspidisteks viideteks alles kõik hoiatused ja juhtnöörid.

Hoiatustes kasutatud termini „elektritööriist“ all peetakse silmas elektriga töötavaid (juhtmega) elektritööriistu või akuga töötavaid (juhtmeta) elektritööriistu.

Juhtmeta lihvmasina ohutusnõuded

Turvahoiatused. Tavalised turvahoiatused lihvimiseks, poleerimiseks, terasharjamiseks või abrasiivseteks lõikeoperatsioonideks:

1. See elektritööriist on mõeldud lihvimisseadme, poleerimiseadme, terasharja või lõiketööriistana kasutamiseks. Lugege kõiki elektritööriistaga kaasasolevaid ohutus- ja kasutusjuhendeid ning tutvuge illustatsioonide ja tehniliste andmetega. Kõigi juhendite täpne järgimine ennetab elektrilöögi-, tulekahju ja/või vigastusohu.
2. Selle elektritööriistaga ei soovitata poleerida. Toimingud, milleks elektritööriist pole ette nähtud, võivad tekitada ohtliku olukorra ja põhjustada kehavigastusi.
3. Ärge kasutage tarvikuid, mida tootja ei ole selle tööriista jaoks spetsiaalselt välja töötanud. Tarviku elektritööriistale kinnitamise võimalus ei taga veel selle ohutut tööd.

4. **Tarviku nimikiirus peab olema vähemalt võrdne elektritööriistale märgitud maksimaalse kiirusega.** Tarvikud, mis töötavad nimi-kiiruse suuremal kiirusel, võivad katki minna ja laiali lennata.
5. **Tarviku välisdiameeter ja paksus peavad jääma Teie elektritööriista puhul ettenähtud parameetrite nimiametme vahemikku.** Valede mõõtudega tarvikud ei ole tööriistas nõuetekohaselt kaitstud ega kontrolli all.
6. **Tarvikute keermeskinnitus peab vastama lihvmasina völli keeme suurusle. Äärikutega kinnitatavate tarvikute korral peab tarviku völliava sobima ääriku fikseeriva läbimõõduga.** Tarvikud, mis ei sobitu elektritööriista paigaldusseadmisega, kaotavad tasakaalu, hakkavad vibreerima ja võivad kaotada juhitavuse.
7. **Ärge kasutage vigast lisatarvikut.** Enne iga kasutatud kontrollige, et lihvetastel ei oleks laaste ega mõrasid, et tugiketastel ei oleks mõrasid, rebendeid ega liigset kulumust, et terasharjade harjased ei oleks lahtised ega purunenud. Kui elektritööriist või lisatarvik kukub maha, kontrollige, et see ei oleks kahjustunud, või paigaldage uus lisatarvik. Pärast lisatarviku kontrolli ja paigaldust minge koos kõrvalseisjatega pöörlevast lisatarvikust eemale ja kaitage elektritööriista maksimaalsel koormusvabal kiirusel üheks minutiks. Kahjustatud lisatarvikud lähevad tavaliselt selle testi ajal katki.
8. **Kandke isiklikku kaitsevarustust. Rakendusest olenevalt kandke näokaitset, kaitseprille või prille. Vajaduse korral kandke tolmumaski, kõvaklappe, kindaid ja põlle, mis suudab kaitsta väikeste abrasiivosakeste või töödeldava detaili kildude eest.** Silmakaitsem peavad kaitsma töö käigus tekkivate lenduvate osakeste eest. Tolmumask või respiraator peab kaitsma töö käigus tekkivate filtreeruvate osakeste eest. Alaline kokkupuude suure müraga võib põhjustada kuulmiskahjustuse.
9. **Hoidke kõrvalseisjad tööalast turvalises kauguses. Kõik, kes sisenevad tööalasse, peavad kandma kaitsevarustust.** Töödeldava detaili või tarvikute osakesed võivad eemale lennata ja põhjustada vigastusi ka väljaspool vahetut tööala.
10. **Hoidke elektritööriista ainult isoleeritud käepidemest, kui töötate kohtades, kus lõiketera võib kokku puutuda peidetud juhtmega.** Kokkupuude voolu all oleva juhtmega võib pingestada ka elektritööriista katmata metallosad ning operaator võib saada elektrilöögi.

- Ärge pange elektritööriista kunagi maha enne, kui tarviku liikumine pole täielikult peatunud.** Pöörlev tarvik võib pinnal liikumist jätkata ja põhjustada elektritööriista väljumise teie kontrolli alt.
- Ärge käituge elektritööriista selle kandmise ajal.** Juhuslik kokkupuude pöörleva tarvikuga võib põhjustada riite kinnijäämist ja tarviku kehasse tõmmata.
- Puhastage elektritööriista õhuavasid regulaarselt.** Mootori ventilaator tõmbab tolmu korpusesse ja metallitolmu liigne kogunemine võib põhjustada elektriõhtu.
- Ärge kasutage seadet tuleohtlike materjalide lähedal.** Need materjalid võivad sädemetest süttida.
- Ärge kasutage tarvikuid, mis nõuavad jahutusvedelikke.** Vee või teiste vedelate jahutusvahendite kasutamine võib põhjustada surmava elektrilöögi või -šoki.

Tagasilöökk ja vastavad hoiatused

Tagasilöökk on äkiline reaktsioon, kui pöörlev ketas, aluspadi, hari või mõni muu lisatarvik kiilub kinni või satub ootamatu takistuse otsa. Väändumine või pörkimine põhjustab kiiret pöörleva lisatarviku vääraratamist, mis omakorda sunnib ühenduspunkti juhitamatult elektritööriista pöörlema vastassuunas lisatarviku pöörlemise suunale.

Näiteks kui abrasiivne ketas kiilub töödeldavasse detaili kinni, võib kinnikiilumiskohta sisenenud löikeketta serv materjali pinda tungida, mille tagajärjel hüppab löikeketas välja või põhjustab tagasilöögi. Löikeketas võib hüpata kasutaja poole või kasutajast eemale olenevalt ketta liikumissuunast kinnikiilumiskohas. Lihvkettad võivad neis tingimustes samuti puruneda.

Tagasilöökk tekib elektritööriista väärkasutamisel ja/või mittevastava tööprotseduuri või -tingimuste korral ning on vältitav, kui rakendate alljärgnevalt esitatud vastavaid ettevaatusabinõusid.

- Hoidke elektritööriistast tugevasti kinni ning seadke keha ja küünarnukk sellisesse asendisse, mis võimaldab tagasilöögile õigesti reageerida.** Kasutage alati abikäepidet, kui see on olemas, et tööriista käivitamisel tagasilöögi ja pöördemomendi vastumõju üle kontrolli saavutada. Asjakohaste ettevaatusabinõude rakendamisel saab operaator tagasilöögi ja pöördemomendi vastumõju kontrollida.
- Ärge kunagi asetage kätt pöörleva tarviku lähedale.** Te võite tarvikult tagasilöögi saada.
- Ärge viibige alas, kus elektritööriist võib tagasilöögi ajal liikuda.** Tagasilöökk paneb tööriista pörkekohas ketta liikumissuunale vastupidises suunas liikuma.
- Olge eriti ettevaatlik, kui töötlete nurki, teravid servi jne.** Vältige tarviku pörkimist esemete vastu. Nurgad, teravad servad ja tagasipörkimine on tavaliselt nendeks teguriteks, mis võivad põhjustada pöörleva tarviku kinnijäämist, kontrolli kaotamist või tagasilööki.
- Ärge kunagi seadistage puulöikeketeraga saeketti või hammastega saetera.** Sellised terad tekitavad sageli tagasilööki ja juhitavuse kadu.

Spetsiaalsed turvahoiatused lihvimiseks ja abrasiivseteks löikeoperatsioonideks:

- Kasutage vaid kettatüüpe, mida teie elektritööriistale soovitakse, ja valitud kettale mõeldud spetsiaalset piiret.** Kettaid, mille jaoks elektritööriist ei olnud mõeldud, ei saa piisavalt kaitsta ja need ei ole turvalised.
- Õhema keskosaga lihvketaste lihvpind peab jääma kaitsepiirde tasapinnast allapoole.** Kui ketas on valesti paigaldatud ja ulatub kaitsepiirde tasapinnast välja, ei ole võimalik seda piisavalt kaitsta.
- Kaitsepiire kinnitatakse tugevasti elektritööriista külge ja seadistatakse maksimaalset ohutust tagavasse asendisse nii, et löikeketas jääks kasutajast võimalikult kaugemale.** Piire aitab kaitajat kaitsta purunenud kettatükide, kettaga juhusliku kokkupuutesse sattumise ja rõivaid süüdata võivate sädemete eest.
- Kettaid tohib kasutada ainult sellel ots-tarbel, milleks need on mõeldud.** Näiteks ärge kasutage löikeketta külge lihvimiseks. Abrasiivlöikekettad on ette nähtud äärepindade lihvimiseks, nendele ketastele rakendatavad kettajõud võivad ketta purustada.
- Kasutage ainult terveid kettaäärikuid, mis on valitud ketta jaoks sobiva suuruse ja kujuga.** Sobivad kettaäärikud toestavad ketast, vähendades nii ketta purunemise ohtu. Löikeketaste äärikud võivad lihvketaste ääriketest erineda.
- Ärge kasutage suuremate elektritööriistade kulunud kettaid.** Suurema elektritööriista jaoks tehtud ketas ei sobi väiksema tööriista suurema kiirusega ja võib katki minna.

Lisanduvad turvahoiatused abrasiivseteks löikeoperatsioonideks:

- Ärge ummistage löikeketast ega rakendage liigset jõudu.** Ärge püüdke teha liiga sügavat lõiget. Ketta ülepingestamine suurendab ketta koormust ja vastuvõtlikkust väändumisele või kinnijäämisele löikes ning tagasilöögi esinemise või ketta purunemise võimalust.
- Ärge seadke ennast ühele jonele pöörleva löikekettaga ega selle taha.** Kui ketas liigub käituse ajal teie kehast eemale, võib tõenäoline tagasilöökk pöörkettast ja elektritööriista otse teie suunas liigutada.
- Kui ketas kiilub kinni või löikamine katkeb mingil põhjusel, lülitage elektritööriist välja ja hoidke tööriista liikumatult kuni ketta täieliku seisumiseni.** Ärge kunagi püüdke eemaldada löikeketast löikest, kui ketas liigub, sest võib esineda tagasilöökk. Selgitage välja ketta kinnijäämise põhjus ja rakendage asjakohast parandusmeetet põhjuse kõrvaldamiseks.
- Ärge käivitage löikamist töödeldavas detailis.** Laske kettal saavutada täiskiirus ja sisenege uuesti hoolikalt löikesse. Kui elektritööriist taaskäivitatakse töödeldavas detailis, võib ketas kinni jääda, ülespoole liikuda või põhjustada tagasilöögi.

- Vähendamaks ketta pitsumise ja tagasilöögi ohtu, toestage paneelid või ülemöödulised töödeldavad detailid. Suured detailid hakkavad painduma omaenese raskuse all. Toed tuleb paigutada töödeldava detaili alla lõikejoone lähedale ja tooriku serva lähedale ketta mõlemal küljel.
- Olge eriti ettevaatlik, kui teete „sukelduslõikamist“ olemasolevates seintes või muudes varjatud piirkondades. Väljaulatuv lõiketera võib lõikuda gaasi- või veetorudesse, elektrijuhtmetesse või muudesse esemetesse ning põhjustada tagasilöögi.

Poleerimistööde turvahoitused:

- Ärge kasutage liiga suurte mõõtetega poleeriketta paberit. Lihvpaberi valikul järgige tootjate soovitusi. Lihvklotsist kaugemale ulatuv suurem lihvpaper on rebenemisohtlik ja võib põhjustada ketta kinnijäämist, purunemist või tagasilööki.

Terasharjamise operatsioonide turvahoitused:

- Arvestage sellega, et hari viskab traatharjaseid eemale ka tavakäituse ajal. Ärge avaldage terastraatidele liigset pinget harjale liigse koormuse rakendamisega. Terasharjased võivad lihtsalt kergesse rõivastusse ja/või nahka tungida.
- Kui terasharjamisel soovitakse kasutada piiret, ärge laske terasketall ega -harjal piirdega kokku puutuda. Terasketas või -hari võib töökoormuse ja tsentrifugaaljõu tõttu läbimöödult laieneda.

Lisaturvahoitused:

- Kui kasutate nõgusa keskosaga lihvketaid, veenduge, et kasutate ainult klaaskiuga tugevadud kettad.
- ÄRGE KUNAGI kasutage selle lihvijaga koos kausslihvketaid. Seda lihvijat ei kasutata koos nimetatud ketastega, sest need võivad põhjustada tõsise kehavigastuse.
- Ärge vigastage vööli, äärikut (eriti selle paigalduspinda) ega fiksaatormutrit. Nende osade kahjustused võivad põhjustada ketta purunemise.
- Veenduge, et lihvketas ei puutuks enne tööriista sisselülitamist vastu töödeldavat detaili.
- Enne tööriista kasutamist tegelikus töökeskkonnas laske sellel mõni aeg koormuseta töötada. Jälgige vibratsiooni või vibamist, mis võib tähendada ebaõiget paigaldust või halvasti tasakaalustatud ketast.
- Lihvige selleks ette nähtud kettapinna osaga.
- Ärge jätke tööriista käima. Käivitage tööriist ainult siis, kui hoiate seda käes.
- Ärge puutuge töödeldavat detaili vahetult pärast töötlemist; see võib olla väga kuum ja põhjustada põletushaavu.
- Ketta õigeks paigaldamiseks ja kasutamiseks järgige valmistaja juhendeid. Käsitsege ja ladustage kettaid hoolikalt.
- Ärge kasutage suureauguliste lihvketaste kinnitamiseks sobituspukse või adaptoreid.
- Kasutage ainult äärikuid, mis on mõeldud kasutamiseks selle tööriistaga.

- Tööriistade korral, kus kasutatakse keermestatud auguga kettaid, jälgige, et ketta keerne pikkus oleks piisav vööliile kinnitamiseks.
- Kontrollige, kas töödeldav detail on korralikult kinnitatud.
- Pöörake tähelepanu asjaolule, et ketas jätkab pöörlemist ka pärast tööriista väljalülitamist.
- Kui töökoht on äärmiselt kuum ja niske või tugevalt saastatud elektrit juhtiva tolmuga, siis tuleb operaatori ohutuse tagamiseks kasutada lühisvoolukatset (30 mA).
- Ärge kasutage tööriista asbesti sisaldavate materjalide töötlemiseks.
- Kui töötate lõikekettaga, siis kasutage alati tolmueemaldusega kettakatset, mis vastab kohalikele eeskirjadele.
- Lõikeketaid ei tohi külgsuunas suruda.
- Ärge kasutage töötamise ajal riidest töökindaid. Riidest kinnaste kiud võivad sattuda tööriista sisse ja põhjustada tööriista purunemise.

HOIDKE JUHEND ALLES.

⚠ HOIATUS: ÄRGE UNUSTAGE järgida toote ohutusnõudeid mugavuse või toote (korduskasutamise) saavutamise hea tundmise tõttu. VALE KASUTUS või kasutusjuhendi ohutuseeskirjade eiramine võib põhjustada tervisekahjustusi.

Akukassetiga seotud olulised ohutusjuhised

- Enne akukassetti kasutamist lugege (1) akulaadimise, (2) akul ja (3) seadmel olevad juhtnõud ja hoiatused läbi.
- Ärge võtke akukassetti lahti.
- Kui tööaeg järsult lüheneb, siis lõpetage kohe kasutamine. Edasise kasutamise tulemuseks võib olla ülekuumenemisoht, võimalikud põletused või isegi plahvatus.
- Kui elektrolüüti satub silma, siis loputage silma puhta veega ja pöörduge koheselt arsti poole. Selline õnnetus võib põhjustada pimedaksjäämist.
- Ärge tekitage akukassetis lühist:
 - Ärge puutuge klemme elektrijuhtmetega.
 - Ärge hoidke akukassetti tööriistakastis koos metallesemetega, nagu naelad, mündid jne.
 - Ärge tehke akukassetti märjaks ega jätke seda vihma kätte.
- Aku lühis võib põhjustada tugevat elektrivoolu, ülekuumenemist, põletusi ning ka seadet tõsiselt kahjustada.
- Ärge hoidke tööriista ja akukassetti kohtades, kus temperatuur võib tõusta üle 50 °C.
- Ärge põletage akukassetti isegi siis, kui see on saanud tõsiselt vigastada või on täiesti kulunud. Akukassett võib tules plahvatada.
- Olge ettevaatlik, ärge laske akul maha kukkuda ja vältige lööke.
- Ärge kasutage kahjustatud akut.

10. **Sisalduvatele liitium-ioonakudele võivad kohalduda ohtlike kaupade õigusaktide nõuded.**
Kaubanduslikul transportimisel, näiteks kolmandate poolte või transpordiettevõtete poolt, tuleb järgida pakendil ja siltidel toodud erinõudeid. Transportimiseks ettevalmistamisel on vajalik pidada nõu ohtliku materjali eksperdigiga. Samuti tuleb järgida võimalike riiklike regulatsioonide üksikasjalikumaid nõudeid.
Katke teibiga või varjake avatud kontaktid ja pakendage aku selliselt, et see ei saaks pakendis liikuda.
11. **Järgige kasutuskõlbatuks muutunud aku käitlemisel kohalikke eeskirju.**
12. **Kasutage akusid ainult Makita heaks kiidetud toodetega.** Akude paigaldamine selleks mitte ettenähtud toodetele võib põhjustada süttimist, ülemäärast kuumust, plahvatamist või elektrolüüdi lekkimist.
8. **Juhtmeta seadmed võivad tekitada elektromagnetvälju (EMV), mis ei ole kasutajale kahjulikud.**
9. **Juhtmeta seade on täppiseade. Olge ettevaatlik, ärge laske juhtmevabal seadmel maha kukkuda ja vältige lööke.**
10. **Ärge puudutage juhtmeta seadme klemmi paljaste käte või metalliesemetega.**
11. **Juhtmeta seadme tööriista sisse paigaldamisel eemaldage tööriistast alati aku.**
12. **Ärge avage pesa katet kohas, kus tolm või vesi võivad pesasse sattuda. Hoidke pesa siselaskeava alati puhtana.**
13. **Sisestage juhtmeta seade alati õiges suunas.**
14. **Ärge vajutage juhtmeta seadme juhtmeta aktiveerimise nupule liiga tugevalt ja/või ärge tehke seda teravate servadega esemega.**
15. **Sulgege pesa kaas alati pärast kasutamist.**
16. **Ärge eemaldage juhtmeta seadet pesast ajal, kui tööriista varustatakse toitega. Selle juhise järgimata jätmine võib tekitada juhtmeta seadme talitlushäireid.**

HOIDKE JUHEND ALLES.

⚠ETTEVAATUST: Kasutage ainult Makita originaalakusid. Mitte Makita originaalakude või muudetud akude kasutamine võib põhjustada akude süttimise, kehavigastuse ja kahjustuse. Samuti muudab see kehtetuks Makita tööriista ja laadija Makita garantii.

Vihjeid aku maksimaalse kasutusaja tagamise kohta

1. Laadige akukasetti enne selle täielikku tühjenemist. Kui märkate, et tööriist töötab väiksema võimsusega, peatage töö ja laadige akukasetti.
2. Ärge laadige täielikult laetud akukasetti. Ülelaadimine lühendab akude kasutusiga.
3. Laadige akukasetti toatemperatuuril 10 °C - 40 °C. Enne laadimist laske kuumenenud akukasetti maha jahtuda.
4. Kui te ei kasuta akukasetti kauem kui kuus kuud, laadige see.

Juhtmeta seadmega seotud olulised ohutusjuhised

1. Ärge võtke juhtmeta seadet lahti ega muutke seda omavoliliselt.
2. Hoidke juhtmeta seadet laste kättesaamatus kohas. Kogemata allaneelamise korral pööruda kohe arsti poole.
3. Kasutage juhtmeta seadet ainult koos Makita tööriistadega.
4. Ärge jätke juhtmeta seadet vihma kätte ega märga keskkonda.
5. Ärge kasutage juhtmeta seadet kohtades, kus temperatuur on üle 50 °C.
6. Ärge kasutage juhtmeta seadet kohtades, kus leidub meditsiinilisi seadmeid, nagu südamestimulaatorid.
7. Ärge kasutage juhtmeta seadet kohtades, kus leidub automatiseeritud seadmeid. Muidu võib automatiseeritud seadmetel esineda talitushäireid või need võivad minna rikki.
21. **Ärge jätke juhtmeta seadet tolmusesse või pulbrilisse kohta või kohta, kus võib esineda söövitavaid gaase.**
22. **Äkiline temperatuuri muutumine võib tekitada juhtmeta seadme pinnale niiskuskühi. Ärge kasutage juhtmeta seadet enne, kui kogunenud niiskus on täielikult ära kuivanud.**
23. **Juhtmeta seadme puhastamisel pühkige seda õrnalt pehme lapiga. Ärge kasutage bensiini, lahusteid, juhtivaid määrded vms.**
24. **Juhtmeta seadme hoiustamisel hoidke seda komplekti kuulavas karbis või staatikavabas konteineris.**
25. **Ärge sisestage tööriista pesasse muid seadmeid kui Makita juhtmeta seade.**
26. **Ärge kasutage tööriista, kui pesa kaas on kahjustunud. Pessa sattuvad vesi, tolm või mustus võivad põhjustada talitushäireid.**
27. **Ärge tõmmake ega väänake pesa katet rohkem kui vajalik. Kui tööriistalt tuleb kaas ära, siis pange see oma kohale tagasi.**
28. **Asendage pesa kaas, kui see on läinud kaduma või kahjustunud.**

HOIDKE JUHEND ALLES.

FUNKTSIONAALNE KIRJELDUS

⚠ETTEVAATUST: Kandke alati hoolt selle eest, et tööriist oleks enne reguleerimist ja kontrollimist välja lülitatud ja akukassett eemaldatud.

Akukasseti paigaldamine või eemaldamine

⚠ETTEVAATUST: Lülitage tööriist alati enne akukasseti paigaldamist või eemaldamist välja.

⚠ETTEVAATUST: Akukasseti paigaldamisel või eemaldamisel tuleb tööriista ja akukassetti kindlalt paigal hoida. Kui tööriista ja akukassetti ei hoita kindlalt paigal, võivad need käest libiseda ning kahjustada tööriista ja akukassetti või põhjustada kehavigastusi.

► **Joon.1:** 1. Punane näidik 2. Nupp 3. Akukassett

Akukasseti eemaldamiseks libistage see tööriista küljest lahti, vajutades kassetti esiküljel paiknevat nuppu alla.

Akukasseti paigaldamiseks joondage akukasseti keel korpuse soonega ja libistage kassett oma kohale.

Paigaldage akuadapter alati nii kaugele, et see lukustuks klõpsatusega oma kohale. Kui näete nupu ülaosas punast osa, pole kassett täielikult lukustunud.

⚠ETTEVAATUST: Paigaldage akukassett alati täies ulatuses nii, et punast osa ei jääks näha. Muidu võib adapter juhuslikult tööriistast välja kukkuda ning põhjustada teile või läheduses viibivatele isikutele vigastusi.

⚠ETTEVAATUST: Ärge rakendage akukassetti paigaldamisel jõudu. Kui kassett ei lähe kergesti sisse, pole see õigesti paigaldatud.

Aku jääkmahutavuse näit

Ainult näidikuga akukassettidele

► **Joon.2:** 1. Märkulambid 2. Kontrollimise nupp

Akukasseti järelejäänud mahutavuse kontrollimiseks vajutage kontrollimise nuppu. Märkulambid süttivad mõneks sekundiks.

Märkulambid			Jääkmahutavus
Pöleb	Ei põle	Vilgub	
■	□	◐	75 - 100%
■	■	□	50 - 75%
■	■	□	25 - 50%
■	□	□	0 - 25%
◐	□	□	Laadige akut.
■	■	□	Akul võib olla tõrge.
□	□	■	

MÄRKUS: Näidatud mahutavus võib veidi erineda tegelikust mahutavusest olenevalt kasutustingimustest ja ümbritseva keskkonna temperatuurist.

Aku jääkmahutavuse näit

Riigile omane

Tööriista sisselülitamisel näitab aku indikaator aku laetuse taset.

► **Joon.3:** 1. Akunäidik

Aku laetuse tase kuvatakse nii, nagu järgmises tabelis on näidatud.

Akunäidiku olek			Aku jääkmahutavus
Pöleb	Ei põle	Vilgub	
			50% kuni 100%
			20% kuni 50%
			0% kuni 20%
			Laadige akut

Tööriista/aku kaitsesüsteem

Tööriist on varustatud tööriista või aku kaitsesüsteemiga. Süsteem lülitab mootori automaatselt välja, et pikendada tööriista ja aku tööiga. Tööriist seiskub käitamise ajal automaatselt, kui tööriista või aku kohta kehtib üks järgmistest tingimustest.

Ülekoormuskaitse

Kui tööriista kasutamise käigus hakkab see tarbima ebaharilikult palju voolu, peatub tööriist automaatselt ilma igasuguse signaalita. Sellisel juhul lülitage tööriist välja ning lõpetage tööriista ülekoormuse põhjustanud tegevus. Pärast seda käivitage tööriist uuesti.

Ülekuumenemiskaitse

Kui tööriist on ülekuumenenud, siis seiskub see automaatselt ja aku indikaator näitab järgmist olekut. Sellises olukorras laske tööriistal enne uuesti sisselülitamist maha jahtuda.

Pöleb	Vilgub





Kui tööriist ei käivitu, võib aku olla ülekuumenenud. Sellises olukorras laske akul enne tööriista uuesti käivitamist maha jahtuda.

Ülelaadimiskaitse

Kui aku laetuse tase ei ole piisav, seiskub tööriist automaatselt. Sellisel juhul eemaldage aku seadmest ja laadige täis.

Kaitseluku vabastamine

Kui kaitsesüsteem toimib korduvalt, siis tööriist lukustatakse ja aku indikaator näitab järgmist olekut. Sellises olukorras ei käivitu tööriist isegi siis, kui seda lülitatakse välja ja sisse. Kaitseluku vabastamiseks eemaldage aku, seadke see akulaadijasse ja oodake, kuni laadimine lõpeb.

 Põleb	 Ei põle	 Vilgub
		

Võllilukk

Võlli pöörlemise takistamiseks vajutage võllilukku alati, kui paigaldate või eemaldate tarvikuid.

► **Joon.4:** 1. Võllilukk

TÄHELEPANU: Ärge kasutage kunagi võllilukku ajal, kui võll veel liigub. See võib tööriista kahjustada.

Lüliti funktsioneerimine

⚠ETTEVAATUST: Enne akukasetti paigaldamist tööriista sisse kontrollige alati, kas hooblülit funktsioneerib õigesti ning liigub vabastamisel tagasi asendisse „OFF” (VÄLJAS).

⚠ETTEVAATUST: Ärge tõmmake hooblülitit jõuga ilma lahtilukustushooba vajutamata. See võib põhjustada lüliti purunemise.

⚠ETTEVAATUST: Ohutuse huvides on selle tööriista lahtilukustuse hooba, mis hoiab ära tööriista ootamatu käivitumise. **ÄRGE KUNAGI** kasutage tööriista, kui see hakkab tööle lihtsalt lüliti päästiku tõmbamisel, lahtilukustuse hooba vajutamata. **ENNE** edasist kasutamist viige masin parandamiseks meie volitatud teeninduskeskusesse.

⚠ETTEVAATUST: ÄRGE KUNAGI teipige lahtilukustuse hooba kinni ega üritage selle funktsiooni blokeerida.

Hooblülit juhuliku tõmbamise vältimiseks on tööriist varustatud lahtilukustushoovaga.

Tööriista käivitamiseks tõmmake lahtilukustushooba enda poole ning seejärel tõmmake hooblülitit. Tööriista seiskamiseks vabastage hooblülitit.

► **Joon.5:** 1. Lahtilukustushoob 2. Hooblülit

Kiirusregulaator

Tööriista pöörlemiskiirust saab kiirusregulaatorit pöörates muuta. Järgnevas tabelis on toodud regulaatoril asuv number ja sellele vastav pöörlemiskiirus.

► **Joon.6:** 1. Kiirusregulaator

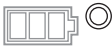

Number	Kiirus
1	3 000 min ⁻¹
2	4 500 min ⁻¹
3	6 000 min ⁻¹
4	7 500 min ⁻¹
5	8 500 min ⁻¹

TÄHELEPANU: Kui tööriista kasutatakse lakamatult pika aja vältel aeglasel kiirusel, koormab see mootori üle ja tööriista töös võivad tekkida torked.

TÄHELEPANU: Muutes kiirusregulaatorit asendist „5” asendisse „1”, pöörake regulaatorit vastupäeva. Ärge pöörake regulaatorit jõuga päripäeva.

Automaatne kiiruse muutmise funktsioon

► **Joon.7:** 1. Režiiminäidik

Režiiminäidiku olek	Töörežiim
	Suure kiiruse režiim
	Suure pöördemomendi režiim

Tööriistal on „suure kiiruse režiim” ja „suure pöördemomendi režiim”. Töörežiimi muudetakse automaatselt olenevalt töökoormusest. Kui režiimiindikaator hakkab käitumise ajal põlema, siis on tööriist suure pöördemomendi režiimis.

Juhuliku taaskäivitumise vältimise funktsioon

Akukasetti paigaldamise ajal ei käivitu tööriist isegi hooblülit tõmbamisel.

Tööriista käivitamiseks vabastage kõigepealt hooblülitit. Seejärel tõmmake lahtilukustushooba ja tõmmake hooblülitit.

Elektroniline väändejõu juhtimise funktsioon

Tööriist tuvastab elektroniliselt olukorrad, kus ketas või tarvik ähvardavad kinni jääda. Sellises olukorras lülitatakse tööriist võlli edasise pöörlemise vältimiseks automaatselt välja (see ei hoiu ära tagasilööki). Tööriista taaskäivitamiseks lülitage tööriist esmalt välja, kõrvaldage pöörlemiskiiruse ootamatu langemise põhjus ja lülitage tööriist seejärel uuesti sisse.

Sujuvkäivituse funktsioon

Sujuvkäivituse funktsioon vähendab käivituslööki.

Elektriline pidur

Tööriista väljalülitamise järel aktiveeritakse elektriline pidur.

Kui elektrivarustus katkestatakse, näiteks aku juhuliku eemaldamisel, kuid lüliti jääb endiselt sisselülitatud asendisse, siis pidur ei toimi.

KOKKUPANEK

⚠ETTEVAATUST: Kandke alati hoolt selle eest, et tööriist oleks enne reguleerimist ja kontrollimist välja lülitatud ja akukasest eemaldatud.

Külgkäepideme (käepide) paigaldamine

⚠ETTEVAATUST: Enne tööd kontrollige alati, kas külgkäepide on kindlalt paigaldatud.

Kruvige külgkäepide kindlalt oma kohale, nii nagu joonisel näidatud.

► **Joon.8**

Kettakaitse (nõgusa keskosaga kettale, lamellkettale, painduvale kettale, ketastraatharjale, lihvkettale, teemantkettale) paigaldamine või eemaldamine

⚠HOIATUS: Kui kasutate nõgusa keskosaga kettast, lamellkettast, painduvat kettast või ketastraatharja, tuleb kettakaitse paigaldada tööriista külge nii, et kaitsme kinnine külg jääks alati operaatori poole.

⚠HOIATUS: Kui kasutate lihv-/teemantkettast, siis valige kindlasti spetsiaalselt selle löikekettaga kasutamiseks mõeldud kettakaitse.

(Mõnes Euroopa riigis võib teemantketta puhul kasutada tavalist kettakaitset. Järgige oma riigis kehtivaid eeskirju.)

Lukustuskruvi tüüpi kettakaitsmega tööriistad

Paigaldage kettakaitse selliselt, et kettakaitsme klambri eendid oleksid laagriümbrise sälkudega kohakuti.

Seejärel pöörake kettakaitse sellise nurga alla, et see kaitseks kasutajat vastavalt tööle. Pärast paigaldust pingutage kindlasti korralikult kruvi.

Kettakaitsme eemaldamiseks järgige paigaldamise protseduuri vastupidises järjekorras.

► **Joon.9:** 1. Kettakaitse 2. Laagriümbris 3. Kruvi

Klamberhoova tüüpi kettakaitsmega tööriist

Lõdvendage kruvi ja tõmmake seejärel hooba noolega näidatud suunas. Paigaldage kettakaitse selliselt, et kettakaitsme klambri eendid oleksid laagriümbrise sälkudega kohakuti. Seejärel pöörake kettakaitse sellise nurga alla, et see kaitseks kasutajat vastavalt tööle.

► **Joon.10:** 1. Kettakaitse 2. Laagriümbris 3. Kruvi 4. Hoob

Tõmmake hooba noole suunas. Seejärel pingutage kettakaitset kinnituskruviga. Pärast paigaldust pingutage kindlasti korralikult kruvi. Kettakaitsme seadistusnurka saab hoova abil reguleerida.

► **Joon.11:** 1. Kruvi 2. Hoob

Kettakaitsme eemaldamiseks järgige paigaldamise protseduuri vastupidises järjekorras.

Nõgusa keskosaga ketta või lamellketta paigaldamine või eemaldamine

Valikuline tarvik

⚠HOIATUS: Kui kasutate nõgusa keskosaga kettast või lamellkettast, tuleb kettakaitse paigaldada tööriista külge nii, et kaitsme kinnine külg jääks alati operaatori poole.

⚠ETTEVAATUST: Veenduge, et siseääriku paigaldusosa sobiks suurepäraselt nõgusa keskosaga ketta / lamellketta siseläbimõõduga. Siseääriku paigaldamine valele küljele võib põhjustada ohtlikku vibratsiooni.

Paigaldage siseäärik võlliile.

Asetage siseääriku süvendatud pool kindlasti võlli põhjas sirgele osale.

Paigaldage nõgusa keskosaga ketas / lamellkettas siseääriku peale ja keerake fiksaatormutter võlli külge.

► **Joon.12:** 1. Fiksaatormutter 2. Nõgusa keskosaga ketas 3. Siseäärik 4. Paigaldusosa

Fiksaatormutri pingutamiseks suruge tugevalt võlli lukustusnuppu nii, et võll ei saaks pöörelda, ning pingutage fiksaatormutrit fiksaatormutri jaoks ettenähtud võtmega päripäeva.

► **Joon.13:** 1. Fiksaatormutri võti 2. Võllilukk

Ketta eemaldamiseks järgige paigaldamise protseduuri vastupidises järjekorras.

Löikeketta paigaldamine või eemaldamine

Valikuline tarvik

⚠HOIATUS: Kasutage alati kaasasolevat kaitset, kui tööriistal on painduv ketas. Kui ketas peaks töötamisel tükkideks purunema, aitab kaitse vigastusi vältida.

► **Joon.14:** 1. Fiksaatormutter 2. Painduv ketas 3. Tugipadi 4. Siseäärik

Järgige nõgusa keskosaga ketta juhtnööre, kuid kasutage kettal ka tugipatja. Vt kokkupaneku järjekorda selle kasutusjuhendi tarvikute leheküljelt.

Lihvketta paigaldamine või eemaldamine

Valikuline tarvik

MÄRKUS: Kasutage kasutusjuhendis nimetatud lihvtarvikuid. Need tuleb osta eraldi.

100 mm mudel

► **Joon.15:** 1. Lihvimise fiksaatormutter 2. Lihvketas 3. Kummist tugiketas 4. Siseäärik

1. Paigaldage siseäärik võlliile.

2. Paigaldage kummist tugiketas võlliile.

3. Sobitage ketas kummist tugikettale ja kruvige lihvimise fiksaatormutter võlliile.

4. Hoidke võlli koos võllilukuga ja pingutage lihvimise fiksaatormutrit lukustusmutri mutrivõtmega päripäeva.

Ketta eemaldamiseks tegutsege paigaldamise protseduurile vastupidises järjekorras.

115 mm / 125 mm mudel

► **Joon.16:** 1. Lihvimise fiksaatormutter 2. Lihvketas
3. Kummist tugiketas

1. Paigaldage kummist tugiketas võllile.
 2. Sobitage ketas kummist tugiketale ja kruvige lihvimise fiksaatormutter võllile.
 3. Hoidke võlli koos võllilukuga ja pingutage lihvimise fiksaatormutrit lukustusmutri mutrivõtmega päripäeva.
- Ketta eemaldamiseks tegutsege paigaldamise protseduurile vastupidises järjekorras.

Tolmuimeja ühendamine

Valikuline tarvik

▲HOIATUS: Ärge imege tolmuimejaga metalli, mis on tekkinud käimise, lõikamise või lihvimise tulemusena. Sellise tegevuse tulemusena tekkinud metallosakesed on niivõrd kuumad, et süütavad tolmuimeja sees oleva tolmu ja filtri.

Müüritise lõikamisel tekkida võiva tolmu keskonna vältimiseks kasutage tolmuimeajaga kettakaitset ja tolmuimeajat.

Kokkupanemist ja kasutamist vaadake kasutusjuhendist, mis on tolmueemaldusega kettakaitsega kaasas.

► **Joon.17:** 1. Tolmuemaldusega kettakaitse
2. Tolmuimeja voolik

TÖÖRIISTA KASUTAMINE

▲HOIATUS: Ärge kasutage tööriista suhtes kunagi jõudu. Tööriista enda raskus annab piisava surve. Ülemäärane surumine ja surve võivad põhjustada ketta ohtliku purunemise.

▲HOIATUS: Vahetage ketas ALATI välja, kui tööriist on käimise ajal maha kukkunud.

▲HOIATUS: Ärge lööge KUNAGI käiaketast vastu töödeldavat detaili.

▲HOIATUS: Vältige ketta kinnikiilumist ja vastu töödeldavat pinda pörkumist, eriti siis, kui töötate nurkades ja teravate servadega jne. See võib põhjustada ohtlikke tagasilööke.

▲HOIATUS: Ärge kasutage tööriista puude saagimise saelehtedega ega muude saelehtedega. Selliste saelehtede kasutamisel lihvijaga annavad need sageli tagasilöögi ja toovad endaga kaasa kontrolli kaotamise, mis põhjustab vigastuste tekkimist.

▲ETTEVAATUST: Ärge käivitage kunagi tööriista, mis on kontaktis töödeldava pinna või detailiga, sest see võib kaasa tuua ohtlikke vigastusi.

▲ETTEVAATUST: Kandke töö juures alati kaitseprille või näokatet.

▲ETTEVAATUST: Pärast tööd lülitage tööriist alati välja ja oodake enne tööriista käest panemist, kuni ketas on täielikult seiskunud.

▲ETTEVAATUST: Hoidke tööriista ALATI kindlalt ühe käega korpusest ja teisega külgakäepidemest.

Käimise ja lihvimise režiim

► **Joon.18**

Lülitage tööriist sisse ja alustage seejärel kettaga pinna või detaili töötlemist.

Tavaliselt hoidke ketta serva töödeldava pinna suhtes 15° nurga all.

Uue ketta sissetöötamisperioodil ärge töötage käiaga edasisuunas; sest muidu võib ketas lõikuda töödeldavasse pinda. Kui ketta serv on töö käigus ümaraks muutunud, võib ketast kasutada nii edasi- kui ka tagasisuunas.

Lihv-/teemantketta käitamine

Valikuline tarvik

▲HOIATUS: Kui kasutate lihv-/teemantketast, siis valige kindlasti spetsiaalselt selle lõikekettaga kasutamiseks mõeldud kettakaitse.

(Mõnes Euroopa riigis võib teemantketta puhul kasutada tavalist kettakaitset. Järgige oma riigis kehtivaid eeskirju.)

▲HOIATUS: ÄRGE KUNAGI kasutage lõikeketast külglihvimiseks.

▲HOIATUS: Ärge ummistage ketast ega rakedage liigset jõudu. Ärge püüdke teha liiga sügavat lõiget. Liigse jõu rakendamine suurendab koormust ja ketta väänamise või kinnikiilumise tõenäosust lõikejäljes ning tagasilöögi, ketta purunemise ja mootori ülekuumenemise võimalusi.

▲HOIATUS: Ärge käivitage töödeldava detaili lõikeoperatsiooni. Laske kettal saavutada täis-kiirus ja sisenege hoolikalt lõikesse, liigutades tööriista üle töödeldava detaili pinna. Kui elektritööriist taaskäivitatakse tööle liikuda või põhjustada tagasilöögi.

▲HOIATUS: Ärge kunagi muutke ketta nurka lõikeoperatsiooni ajal. Lõikeketastele külgsurve rakendamine (nagu lihvimisel) põhjustab ketta möranemise ja purunemise, mis võib kaasa tuua tõsisid vigastusi.

▲HOIATUS: Teemantketast tuleb kasutada lõigatava materjali suhtes ristloodis.

- **Joon.19:** 1. Fiksaatormutter 2. Lihv-/teemantketas
3. Siseäärik 4. Lihv-/teemantketta ketta
kaitse

Paigaldamisel järgige nõgusa keskosaga ketast puudu-
tavaid juhtnõre.

**Fiksaatormutri ja siseääriku suund on oleb montee-
rimisel ketta tüübist ja paksusest.**

Vt järgmisi jooniseid.

100 mm mudel

Lihvketta paigaldamine:

- **Joon.20:** 1. Fiksaatormutter 2. Lihvketas (õhem kui
4 mm) 3. Lihvketas (4 mm või paksem)
4. Siseäärik

Teemantketta paigaldamine:

- **Joon.21:** 1. Fiksaatormutter 2. Teemantketas
(õhem kui 4 mm) 3. Teemantketas (4 mm
või paksem) 4. Siseäärik

115 mm / 125 mm mudel

Lihvketta paigaldamine:

- **Joon.22:** 1. Fiksaatormutter 2. Lihvketas (õhem kui
4 mm) 3. Lihvketas (4 mm või paksem)
4. Siseäärik

Teemantketta paigaldamine:

- **Joon.23:** 1. Fiksaatormutter 2. Teemantketas
(õhem kui 4 mm) 3. Teemantketas (4 mm
või paksem) 4. Siseäärik

Traatidega kaussharja käitamine

Valikuline tarvik

⚠ETTEVAATUST: Kontrollige harja tööd, lastes
tööriistal tühjalt käia ja kandes hoolt selle eest, et
keegi ei asuks harja ees või sellega ühel joonel.

⚠ETTEVAATUST: Ärge kasutage kahjustatud
või balansseerimata harja. Kahjustatud harja kasu-
tamine võib suurendada harja katkiste terasharjaste
põhjustatud vigastusohu.

- **Joon.24:** 1. Kausshari Terasharjad

Eemaldage akukassett tööriista küljest ja asetage
tööriist tagurpidi, et võimaldada hõlpsat juurdepääsu
võllile.

Eemaldage võllilt kõik tarvikud. Paigaldage terashari
võllile ja keerake kaasasoleva mutrivõtmega kinni.

TÄHELEPANU: Vältige liigse jõu rakendamist,
mis põhjustab traatide ülemäärast paindumist
harjamise ajal. See võib põhjustada enneaegset
purunemist.

Ketastraatharja käitamine

Valikuline tarvik

⚠ETTEVAATUST: Kontrollige ketastraatharja
tööd, lastes tööriistal tühjalt käia ja kandes hoolt
selle eest, et keegi ei asuks ketastraatharja ees
või sellega ühel joonel.

⚠ETTEVAATUST: Ärge kasutage kahjustatud
või tasakaalustamata ketastraatharja. Kahjustatud
ketastraatharja kasutamine võib suurendada katkiste
harjaste põhjustatud vigastusohu.

⚠ETTEVAATUST: Kasutage ketastraatharja-
dega töötamisel ALATI kaitset, valides ketta dia-
meetrile sobiva suuruse. Kui ketas peaks töötami-
sel tükikideks purunema, aitab kaitse vigastusi vältida.

- **Joon.25:** 1. Ketastraathari

Eemaldage akukassett tööriista küljest ja asetage
tööriist tagurpidi, et võimaldada hõlpsat juurdepääsu
võllile.

Eemaldage võllilt kõik tarvikud. Keerake ketastraathari
võllile ja kinnitage mutrivõtmega.

TÄHELEPANU: Vältige liigse jõu rakendamist,
mis põhjustab traatide ülemäärast paindumist
ketastraatharja kasutamise ajal. See võib põhjus-
tada enneaegset purunemist.

JUHTMETA AKTIVEERIMISE FUNKTSIOON

Ainult mudelile DGA418/DGA468/DGA518

Mida võimaldab juhtmeta aktiveerimise funktsioon

Juhtmeta aktiveerimise funktsioon võimaldab puhast
ja mugavat töötamist. Ühendades toetatud tolmuimeja
tööriistaga, saate käivitada tolmuimeja automaatselt
koos tööriista lüliti toimimisega.

- **Joon.26**

Juhtmeta aktiveerimise funktsiooni kasutamiseks val-
mistage ette alljärgnev:

- juhtmeta seade;
- tolmuimeja, mis toetab juhtmeta aktiveerimise
funktsiooni.

Alljärgnevalt on toodud juhtmeta aktiveerimise funk-
tsiooni seadistamise ülevaade. Üksikasjalikuma teabe
saamiseks vaadake konkreetseid jaotisi.

1. Juhtmeta seadme paigaldamine
2. Tööriista registreerimine tolmuimeja jaoks
3. Juhtmeta aktiveerimise funktsiooni käivitamine

Juhtmeta seadme paigaldamine

⚠ETTEVAATUST: Juhtmeta seadme paigaldamisel asetage tööriist tasasele ja kindlale pinnale.

TÄHELEPANU: Enne juhtmeta seadme paigaldamist puhastage tööriist tolmu- ja mustusest. Kui tolm ja mustus satuvad juhtmeta seadme pesa, siis võib esineda talitushäireid.

TÄHELEPANU: Staatika põhjustatud talitushäirete vältimiseks puudutage enne juhtmeta seadme ülestõstmist staatikat eemaldavat materjali, näiteks tööriista metallist osa.

TÄHELEPANU: Juhtmeta seadme paigaldamisel veenduge alati, et juhtmeta seade oleks sisestatud õiges suunas ja kaas oleks korralikult suletud.

1. Avage tööriista kaas joonisel näidatud viisil.

▶ **Joon.27:** 1. Kaas

2. Sisestage juhtmeta seade pesasse ja sulgege kaas.

Juhtmeta seadme sisestamisel joondage väljaulatuvad osad pesa süvendatud osadega.

▶ **Joon.28:** 1. Juhtmeta seade 2. Väljaulatuv osa
3. Kaas 4. Süvendatud osa

Juhtmeta seadme eemaldamisel avage kaas aeglaselt. Kaane tagaküljel asuvad konksud tõstavad juhtmeta seadme koos kaanega välja.

▶ **Joon.29:** 1. Juhtmeta seade 2. Konks 3. Kaas

Pärast eemaldamist hoidke juhtmeta seadet komplekti kuuluvas karbis või staatikavabas konteineris.

TÄHELEPANU: Juhtmeta seadme eemaldamisel kasutage alati kaane tagaküljel asuvaid konkse. Kui konksud ei haaku juhtmeta seadmega, sulgege kaas täielikult ja avage aeglaselt uuesti.

Tööriista registreerimine tolmuimeja jaoks

MÄRKUS: Registreerimiseks on vajalik Makita tolmuimeja, mis toetaks juhtmeta aktiveerimise funktsiooni.

MÄRKUS: Enne tööriista registreerimist tuleb juhtmeta seade tööriista paigaldada.

MÄRKUS: Tööriista registreerimise ajal ärge tõmmake lüliti päästikut ega lülitage tolmuimeja toitelüliti sisse.

MÄRKUS: Vt ka tolmuimeja kasutusjuhendit.

Kui te soovite tolmuimeja koos tööriista lüliti toimimisega aktiveerida, siis peate kõigepealt lõpetama tööriista registreerimise.

1. Paigaldage patareid nii tolmuimejasse kui ka tööriista.

2. Seadke tolmuimeja ooterežiimi lüliti asendisse „AUTO”.

▶ **Joon.30:** 1. Ooterežiimi lüliti

3. Vajutage tolmuimeja juhtmeta aktiveerimise nuppu ja hoidke seda 3 sekundit all, kuni juhtmeta aktiveerimise tuli hakkab roheliselt vilkuma. Seejärel vajutage samamoodi tööriista juhtmeta aktiveerimise nuppu.

▶ **Joon.31:** 1. Juhtmeta aktiveerimise nupp
2. Juhtmeta aktiveerimise tuli

Kui tolmuimeja ja tööriist on edukalt seotud, siis juhtmeta aktiveerimise tuled süttivad 2 sekundiks roheliselt ja hakkavad seejärel siniselt vilkuma.

MÄRKUS: Juhtmeta aktiveerimise lambid lõpetavad roheliselt vilkumise 20 sekundi pärast. Vajutage juhtmeta aktiveerimise nuppu tööriistal, kui puhastajal vilgub juhtmeta aktiveerimise tuli. Kui juhtmeta aktiveerimise tuli ei vilgu roheliselt, siis vajutage korraks juhtmeta aktiveerimise nuppu ja hoidke seda uuesti all.

MÄRKUS: Sidudes kahte või enamat tööriista ühe tolmuimejaga, lõpetage tööriistade registreerimine üksikshaaval.

Juhtmeta aktiveerimise funktsiooni käivitamine

MÄRKUS: Enne juhtmeta aktiveerimist tuleb lõpetada tööriista tolmuimejaga sidumine.

MÄRKUS: Vt ka tolmuimeja kasutusjuhendit.

Pärast tööriista sidumist tolmuimejaga, käivitus tolmuimeja automaatselt tööriista lüliti abil.

1. Paigaldage juhtmeta seade tööriista sisse.

2. Ühendage tolmuimeja voolik tööriistaga.

▶ **Joon.32**

3. Seadke tolmuimeja ooterežiimi lüliti asendisse „AUTO”.

▶ **Joon.33:** 1. Ooterežiimi lüliti

4. Vajutage korraks tööriistal olevat juhtmeta aktiveerimise nuppu. Juhtmeta aktiveerimise tuli vilgub siniselt.

▶ **Joon.34:** 1. Juhtmeta aktiveerimise nupp
2. Juhtmeta aktiveerimise tuli

5. Tõmmake tööriista lüliti päästikut. Kontrollige, kas tolmuimeja lüliti päästik töötab tõmbamise ajal.

Tolmuimeja juhtmeta aktiveerimise peatamiseks vajutage tööriista juhtmeta aktiveerimise nuppu.

MÄRKUS: Tööriista juhtmeta aktiveerimise tuli lõpetab siniselt vilkumise, kui 2 tunni jooksul ei tehta ühtegi toimingut. Sellisel juhul seadke tolmuimeja ooterežiimi lüliti asendisse „AUTO” ja vajutage tööriistal uuesti juhtmeta aktiveerimise nuppu.

MÄRKUS: Tolmuimeja alustab/peatub viivitusega. Kui tolmuimeja tuvastab tööriista lüliti toimimise, esineb viivitus.

MÄRKUS: Juhtmeta seadme edastamise kaugus võib olenevalt asukohast ja ümbritsevatest oludest erineda.

MÄRKUS: Kui kaks või enam tööriista seotakse ühe tolmuimejaga, siis võib tolmuimeja hakata tööle isegi siis, kui te pole lüliti päästikut tõmmanud, sest juhtmeta aktiveerimise funktsiooni kasutab mõni teine kasutaja.

Juhtmeta aktiveerimise tule oleku kirjeldus

► Joon.35: 1. Juhtmeta aktiveerimise tuli

Juhtmeta aktiveerimise tuli näitab juhtmeta aktiveerimise funktsiooni olekut. Tule oleku tähendust näete allolevast tabelist.

Olek	Juhtmeta aktiveerimise tuli				Kirjeldus
	Värv	 Põleb	 Vilgub	Kestus	
Ooteaeg	Sinine			2 tundi	Tolmuimeja juhtmeta aktiveerimine on saadaval. Tuli lülitub automaatselt välja, kui 2 tunni jooksul ei tehta ühtegi toimingut.
				Kui tööriist on käivitatud.	Tolmuimeja juhtmeta aktiveerimine on saadaval ja tööriist on käivitatud.
Tööriista registreerimine	Roheline			20 sekundit	Valmis tööriista registreerimiseks. Tolmuimeja poolse registreerimise ootamine.
				2 sekundit	Tööriista registreerimine on lõpetatud. Juhtmeta aktiveerimise tuli hakkab siniselt vilkuma.
Tööriista registreerimise tühistamine	Punane			20 sekundit	Valmis tööriista registreerimise tühistamiseks. Tolmuimeja poolse tühistamise ootamine.
				2 sekundit	Tööriista registreerimise tühistamine on lõpetatud. Juhtmeta aktiveerimise tuli hakkab siniselt vilkuma.
Muu	Punane			3 sekundit	Juhtmeta seade on ühendatud toitega ja juhtmeta aktiveerimise funktsioon käivitub.
	Väljas	-		-	Tolmuimeja juhtmeta aktiveerimine on peatatud.

Tööriista registreerimise tühistamine tolmuimeja jaoks

Tööriista registreerimise tühistamiseks tolmuimeja jaoks tuleb toimida alljärgnevalt.

1. Paigaldage patareid nii tolmuimejasse kui ka tööriista.
2. Seadke tolmuimeja ooterežiimi lüliti asendisse „AUTO”.

► Joon.36: 1. Ooterežiimi lüliti

3. Vajutage tolmuimejal juhtmeta aktiveerimise nuppu ja hoidke seda 6 sekundit all. Juhtmeta aktiveerimise tuli vilgub roheliselt ja muutub seejärel punaseks. Seejärel vajutage samamoodi tööriista juhtmeta aktiveerimise nuppu.

- Joon.37: 1. Juhtmeta aktiveerimise nupp
2. Juhtmeta aktiveerimise tuli

Kui tolmuimeja ja tööriist on edukalt lahutatud, siis juhtmeta aktiveerimise tuled süttivad 2 sekundiks punaselt ja seejärel hakkavad need siniselt vilkuma.

MÄRKUS: Juhtmeta aktiveerimise lambid lõpetavad punaselt vilkumise 20 sekundi pärast. Vajutage juhtmeta aktiveerimise nuppu tööriistal, kui puhastajal vilgub juhtmeta aktiveerimise tuli. Kui juhtmeta aktiveerimise tuli ei vilgu punaselt, siis vajutage korra juhtmeta aktiveerimise nuppu ja hoidke seda uuesti all.

Juhtmeta aktiveerimise funktsiooni veaotsing

Enne remonditöökotta pöördumist kontrollige niidukit ise. Ärge üritage niidukit lahti võtta, kui leiate probleemi, mida kasutusjuhendis ei kirjeldata. Selle asemel pöörduge Makita volitatud teeninduskeskusesse, kus kasutatakse remon-
timisel alati Makita tagavaraosi.

Tõrge	Võimalik põhjus (riike)	Lahendus
Juhtmeta aktiveerimise tuli ei põle / ei vilgu.	Tööriista sisse ei ole juhtmeta seadet paigaldatud. Juhtmeta seade on tööriista sisse valesti paigaldatud.	Paigaldage juhtmeta seade õigesti.
	Juhtmeta seadme klemm ja/või pesa on määrdu- nud.	Pühkige juhtmeta seadme klemmiilt ettevaatlikult tolm ja mustus ning puhastage pesa.
	Tööriistal olevat juhtmeta aktiveerimise nuppu ei ole vajutatud.	Vajutage korraks tööriistal olevat juhtmeta aktiveerimise nuppu.
	Tolmuimeja ooterežiimi lüliti ei ole seatud asendisse „AUTO“.	Seadke tolmuimeja ooterežiimi lüliti asendisse „AUTO“.
	Puudub toiteallikas	Varustage tööriist ja tolmuimeja toiteallikaga.
Tööriista registreerimist / tööriista registreerimise tühistamist ei õnnestu edukalt lõpetada.	Tööriista sisse ei ole juhtmeta seadet paigaldatud. Juhtmeta seade on tööriista sisse valesti paigaldatud.	Paigaldage juhtmeta seade õigesti.
	Juhtmeta seadme klemm ja/või pesa on määrdu- nud.	Pühkige juhtmeta seadme klemmiilt ettevaatlikult tolm ja mustus ning puhastage pesa.
	Tolmuimeja ooterežiimi lüliti ei ole seatud asendisse „AUTO“.	Seadke tolmuimeja ooterežiimi lüliti asendisse „AUTO“.
	Puudub toiteallikas	Varustage tööriist ja tolmuimeja toiteallikaga.
	Vale kasutamine	Vajutage korraks juhtmeta aktiveerimise nuppu ja tehke tööriista registreerimise/tühistamise toimingud uuesti.
	Tööriist ja tolmuimeja asuvad teinetei- sist liiga kaugel (on edastamise ulatu- sist väljas).	Viige tööriist ja tolmuimeja üksteisele lähemale. Maksimaalne ülekandekaugus on umbes 10 m, kuid see võib olenevalt asjaoludest varieeruda.
	Enne tööriista registreerimise/tühistamist - tööriista lüliti päästik on tõmmatud või; - tolmuimeja toitenupp on sisse lülitatud.	Vajutage korraks juhtmeta aktiveerimise nuppu ja tehke tööriista registreerimise/tühistamise toimingud uuesti.
	Tööriista või tolmuimeja sidumistoimingu- d on lõpetamata.	Tehke samal ajal nii tööriista kui ka tolmuimeja registreerimistoimingud.
Teiste seadmete tekitatud raadiohäi- ring, mis tekitab väga intensiivseid raadiolaineid.	Hoidke tööriista ja tolmuimejat WiFi-seadmetest ja mikrolaineahjust eemal.	

Tõrge	Võimalik põhjus (riike)	Lahendus
Tolmuimeja ei tööta tööriista lüliti kaudu.	Tööriista sisse ei ole juhtmeta seadet paigaldatud. Juhtmeta seade on tööriista sisse valesti paigaldatud.	Paigaldage juhtmeta seade õigesti.
	Juhtmeta seadme klemm ja/või pesa on määrduanud.	Pühkige juhtmeta seadme klemmiit ettevaatlikult tolm ja mustus ning puhastage pesa.
	Tööriistal olevat juhtmeta aktiveerimise nuppu ei ole vajutatud.	Vajutage korrats juhtmeta aktiveerimise nuppu ja veenduge, et juhtmeta aktiveerimise tuli vilguks siniselt.
	Tolmuimeja ooterežiimi lüliti ei ole seatud asendisse „AUTO“.	Seadke tolmuimeja ooterežiimi lüliti asendisse „AUTO“.
	Tolmuimejaga on seotud üle 10 tööriista.	Tehke registreerimistoiming uuesti. Kui tolmuimejaga on seotud üle 10 tööriista, siis kõige esimesena registreeritud tööriista sidumine tühistatakse automaatselt.
	Tolmuimeja kustutas kõik registreeritud tööriistad.	Registreerige tööriist uuesti.
	Puudub toiteallikas	Varustage tööriist ja tolmuimeja toiteallikaga.
	Tööriist ja tolmuimeja asuvad teineteisest liiga kaugel (on edastamise ulatusest väljas).	Viige tööriist ja tolmuimeja üksteisele lähemale. Maksimaalne ülekandekaugus on umbes 10 m, kuid see võib olenevalt asjaoludest varieeruda.
	Teiste seadmete tekitatud raadiohääring, mis tekitab väga intensiivseid raadiolaineid.	Hoidke tööriista ja tolmuimejat WiFi-seadmetest ja mikrolaineahjust eemal.
Tolmuimeja töötab ajal, kui tööriista lüliti päästikut ei tõmmata.	Teised kasutajad kasutavad oma tööriistaga tolmuimeja juhtmeta aktiveerimist.	Lülitage teiste tööriistade juhtmeta aktiveerimise nupp välja või tühistage teiste tööriistade registreerimine.

HOOLDUS

⚠ETTEVAATUST: Enne kontroll- või hooldustoimingute tegemist kandke alati hoolet selle eest, et tööriist oleks välja lülitatud ja akukassett korpuse küljest eemaldatud.

TÄHELEPANU: Ärge kunagi kasutage bensiini, vedeldit, alkoholi ega midagi muud sarnast. Selle tulemuseks võib olla luitumine, deformatsioon või pragunemine.

Ventilatsiooniava puhastamine

Tööriist ja selle ventilatsiooniavad peavad olema puhtad. Puhastage tööriista ventilatsiooniavasid regulaarselt või siis, kui need hakkavad ummistuma.

► **Joon.38:** 1. Väljalaskeava 2. Sisselaskeava

Eemaldage ventilatsiooniavalt tolmukate ja puhastage seda, et tagada sujuv õhuringlus.

► **Joon.39:** 1. Tolmukate

TÄHELEPANU: Puhastage tolmukatet, kui see on tolm või võõrkehadega ummistunud. Töö jätkamine ummistunud tolmukattega võib tööriista kahjustada.

VALIKULISED TARVIKUD

⚠ETTEVAATUST: Neid tarvikuid ja lisaseadiseid on soovitatav kasutada koos Makita tööriistaga, mille kasutamist selles kasutusjuhendis kirjeldatakse. Muude tarvikute ja lisaseadiste kasutamisega kaasneb vigastada saamise oht. Kasutage tarvikuid ja lisaseadiseid ainult otstarbekohaselt.

Saate vajaduse korral kohalikust Makita teeninduskeskusest lisateavet nende tarvikute kohta.

- Makita algupärane aku ja laadija
- Juhtmeta seade (juhtmeta aktiveerimise funktsiooniga mudelitel)

► **Joon.40**

-	100 mm mudel	115 mm mudel	125 mm mudel
1	Käepide 36		
2	Kettakaitse (lihvketas)		
3	Siseäärrik		
4	Nõgusa keskosaga ketas / lamellketas		
5	Fiksaatormutter		
6	Tugipadi		
7	Painduv ketas		
8	Siseäärrik ja kummist tugiketas 76	Kummist tugiketas nr 100	Kummist tugiketas nr 115
9	Lihvketas		
10	Lihvimise fiksaatormutter		
11	Ketastraathari		
12	Kausshari Terasharjad		
13	Kettakaitse (löikeketas) *1		
14	Lihv-/teemantketas		
15	Tolmueemaldusega kettakaitse		
-	Fiksaatormutri võti		

MÄRKUS: *1 Osas Euroopa riikides võib teemantketta kasutamisel kasutada tavalist kaitsekatet, mitte mõlemat ketta külge varjavat spetsiaalset kaitsekatet. Järgige oma riigis kehtivaid eeskirju.

MÄRKUS: Mõned nimekirjas loetletud tarvikud võivad kuuluda standardvarustusse ning need on lisatud tööriista pakendisse. Need võivad riigiti erineda.

ТЕХНИЧЕСКИЕ ХАРАКТЕРИСТИКИ

Модель:	DGA417	DGA418
Диаметр диска	100 мм (4дюйма)	
Макс. толщина диска	6,4 мм	
Резьба шпинделя	M10	
Номинальное число оборотов (n)	8 500 мин ⁻¹	
Общая длина	382 мм	
Номинальное напряжение	18 В пост. тока	
Масса нетто	2,2 - 2,9 кг	
Электрический тормоз	✓	
Функция беспроводной активации	-	✓

Модель:	DGA467	DGA468
Диаметр диска	115 мм (4-1/2дюйма)	
Макс. толщина диска	7,2 мм	
Резьба шпинделя	M14 или 5/8дюйма (зависит от страны)	
Номинальное число оборотов (n)	8 500 мин ⁻¹	
Общая длина	382 мм	
Номинальное напряжение	18 В пост. тока	
Масса нетто	2,4 - 3,1 кг	
Электрический тормоз	✓	
Функция беспроводной активации	-	✓

Модель:	DGA517	DGA518
Диаметр диска	125 мм (5дюйма)	
Макс. толщина диска	7,2 мм	
Резьба шпинделя	M14 или 5/8дюйма (зависит от страны)	
Номинальное число оборотов (n)	8 500 мин ⁻¹	
Общая длина	382 мм	
Номинальное напряжение	18 В пост. тока	
Масса нетто	2,4 - 3,1 кг	
Электрический тормоз	✓	
Функция беспроводной активации	-	✓

- Благодаря нашей постоянно действующей программе исследований и разработок указанные здесь технические характеристики могут быть изменены без предварительного уведомления.
- Технические характеристики могут различаться в зависимости от страны.
- Масса может отличаться в зависимости от дополнительного оборудования. Обратите внимание, что блок аккумулятора также считается дополнительным оборудованием. В таблице представлены комбинации с наибольшим и наименьшим весом в соответствии с процедурой EPTA 01/2014.

Подходящий блок аккумулятора

BL1815N / BL1820 / BL1820B / BL1830 / BL1830B / BL1840 / BL1840B / BL1850 / BL1850B / BL1860B

- В зависимости от региона вашего проживания некоторые блоки аккумуляторов, перечисленные выше, могут быть недоступны.

⚠ ОСТОРОЖНО: Используйте только перечисленные выше блоки аккумуляторов. Использование других блоков аккумуляторов может привести к травме и/или пожару.

Назначение

Инструмент предназначен для шлифовки, зачистки и резки материалов из металла и камня без использования воды.

Шум

Типичный уровень взвешенного звукового давления (A), измеренный в соответствии с EN60745:

Модель	Уровень звукового давления ($L_{p(A)}$): (дБ (A))	Уровень звуковой мощности ($L_{w(A)}$): (дБ (A))	Погрешность (K): (дБ (A))
DGA417	80	-	3
DGA418	80	-	3
DGA467	80	-	3
DGA468	80	-	3
DGA517	79	-	3
DGA518	79	-	3

Уровень шума при выполнении работ может превышать 80 дБ (A).

▲ ОСТОРОЖНО: Используйте средства защиты слуха.

Вибрация

Суммарное значение вибрации (сумма векторов по трем осям), определенное в соответствии с EN60745:

Рабочий режим: шлифование поверхности с использованием обычной боковой ручки

Модель	Распространение вибрации ($a_{h, A0}$): (m/c^2)	Погрешность (K): (m/c^2)
DGA417	4,5	1,5
DGA418	4,5	1,5
DGA467	5,5	1,5
DGA468	5,5	1,5
DGA517	6,0	1,5
DGA518	6,0	1,5

Рабочий режим: шлифование поверхности с использованием антивибрационной боковой ручки

Модель	Распространение вибрации ($a_{h, A0}$): (m/c^2)	Погрешность (K): (m/c^2)
DGA417	4,5	1,5
DGA418	4,5	1,5
DGA467	5,0	1,5
DGA468	5,0	1,5
DGA517	5,5	1,5
DGA518	5,5	1,5

Рабочий режим: шлифование с использованием обычной боковой ручки

Модель	Распространение вибрации ($a_{h, D5}$): (m/c^2)	Погрешность (K): (m/c^2)
DGA417	2,5 m/c^2 или менее	1,5
DGA418	2,5 m/c^2 или менее	1,5
DGA467	2,5 m/c^2 или менее	1,5
DGA468	2,5 m/c^2 или менее	1,5
DGA517	2,5 m/c^2 или менее	1,5
DGA518	2,5 m/c^2 или менее	1,5

Рабочий режим: шлифование с использованием антивибрационной боковой ручки

Модель	Распространение вибрации ($a_{h,DS}$) : (м/с ²)	Погрешность (К): (м/с ²)
DGA417	2,5 м/с ² или менее	1,5
DGA418	2,5 м/с ² или менее	1,5
DGA467	2,5 м/с ² или менее	1,5
DGA468	2,5 м/с ² или менее	1,5
DGA517	2,5 м/с ² или менее	1,5
DGA518	2,5 м/с ² или менее	1,5

ПРИМЕЧАНИЕ: Заявленное значение распространения вибрации измерено в соответствии со стандартной методикой испытаний и может быть использовано для сравнения инструментов.

ПРИМЕЧАНИЕ: Заявленное значение распространения вибрации можно также использовать для предварительных оценок воздействия.

⚠ ОСТОРОЖНО: Распространение вибрации во время фактического использования электроинструмента может отличаться от заявленного значения в зависимости от способа применения инструмента.

⚠ ОСТОРОЖНО: Обязательно определите меры безопасности для защиты оператора, основанные на оценке воздействия в реальных условиях использования (с учетом всех этапов рабочего цикла, таких как выключение инструмента, работа без нагрузки и включение).

⚠ ОСТОРОЖНО: Заявленное значение распространения вибрации относится к основным операциям, выполняемым с помощью электроинструмента. Однако если электроинструмент используется для других целей, уровень вибрации может отличаться.

Декларация о соответствии ЕС

Только для европейских стран

Декларация о соответствии ЕС включена в руководство по эксплуатации (Приложение А).

МЕРЫ БЕЗОПАСНОСТИ

Общие рекомендации по технике безопасности для электроинструментов

⚠ ОСТОРОЖНО: Ознакомьтесь со всеми представленными инструкциями по технике безопасности, указаниями, иллюстрациями и техническими характеристиками, прилагаемыми к данному электроинструменту. Несоблюдение каких-либо инструкций, указанных ниже, может привести к поражению электрическим током, пожару и/или серьезной травме.

Сохраните брошюру с инструкциями и рекомендациями для дальнейшего использования.

Термин "электроинструмент" в предупреждениях относится ко всему инструменту, работающему от сети (с проводом) или на аккумуляторах (без провода).

Правила техники безопасности при эксплуатации аккумуляторной шлифовальной машины

Общие предупреждения о правилах техники безопасности при выполнении шлифования, зачистки проволочной щеткой или абразивной резки:

1. Данный электроинструмент предназначен для шлифования, зачистки проволочной щеткой и абразивной резки. Ознакомьтесь со всеми представленными инструкциями по технике безопасности, указаниями, иллюстрациями и техническими характеристиками, прилагаемыми к данному электроинструменту. Несоблюдение каких-либо инструкций, указанных ниже, может привести к поражению электрическим током, пожару и/или серьезной травме.
2. Не рекомендуется пользоваться данным инструментом для выполнения таких операций, как полировка. Использование инструмента не по прямому назначению может привести к опасной ситуации и стать причиной травмы.
3. Не используйте принадлежности других производителей, не рекомендованные производителем данного инструмента. Даже если принадлежность удастся закрепить на инструменте, это не обеспечит безопасную эксплуатацию.
4. Номинальная скорость принадлежностей должна быть как минимум равна максимальной скорости, обозначенной на инструменте. При превышении номинальной скорости принадлежности она может разломиться на части.

5. **Внешний диаметр и толщина принадлежности должны соответствовать номинальной мощности инструмента.** Принадлежности, размер которых подобран неверно, не гарантируют безопасности и точности управления.
 6. **Резьбовые отверстия дополнительных принадлежностей должны совпадать с резьбой шпинделя шлифмашины.** Для принадлежностей, устанавливаемых с помощью фланцев, отверстие для шпинделя на принадлежности должно соответствовать диаметру фланца. Принадлежности, не соответствующие монтажному креплению электроинструмента, приведут к разбалансировке, сильной вибрации и потере контроля.
 7. **Не используйте поврежденные принадлежности.** Перед каждым использованием принадлежностей типа абразивных дисков проверяйте их на наличие сколов и трещин, проверяйте опорные фланцы на наличие трещин, задигов или чрезмерного износа, а проволочные щетки - на наличие выпавших или сломанных проволок. Если вы уронили инструмент или принадлежность, осмотрите их на предмет повреждений или установите исправную принадлежность. После осмотра и установки принадлежности встаньте в безопасном положении относительно плоскости вращения принадлежности (и проследите, чтобы это сделали окружающие) и включите инструмент на максимальной скорости без нагрузки на одну минуту. Поврежденная принадлежность обычно ломается в течение пробного периода.
 8. **Надевайте индивидуальные средства защиты.** В зависимости от выполняемых операций используйте защитную маску или защитные очки. При необходимости надевайте респиратор, средство защиты органов слуха, перчатки и защитный передник для защиты от небольших частиц абразивных материалов или детали. Средства защиты органов зрения должны предохранять от летящих фрагментов, появляющихся при выполнении различных операций. Пылезащитная маска или респиратор должны обеспечивать фильтрацию пыли, возникающей во время работы. Продолжительное воздействие сильного шума может стать причиной потери слуха.
 9. **Посторонние лица должны находиться на безопасном расстоянии от рабочей зоны.** Любой приближающийся к рабочему месту человек должен предварительно надеть индивидуальные средства защиты. Осколки заготовки или сломавшейся принадлежности могут разлететься и причинить травму даже на значительном удалении от рабочего места.
 10. **Если при выполнении работ существует риск контакта режущего инструмента со скрытой электропроводкой, держите электроинструмент только за специально предназначенные изолированные поверхности.** Контакт с проводом под напряжением приведет к тому, что металлические детали инструмента также будут под напряжением, что приведет к поражению оператора электрическим током.
 11. **Не кладите инструмент, пока принадлежность полностью не остановится.** Вращающаяся насадка может коснуться поверхности, и вы не удержите инструмент.
 12. **Не включайте инструмент во время переоснастки.** Случайный контакт с вращающейся принадлежностью может привести к защемлению одежды и притягиванию принадлежности к телу.
 13. **Регулярно прочищайте вентиляционные отверстия инструмента.** Вентилятор электродвигателя засасывает пыль внутрь корпуса, а значительные отложения металлической пыли могут привести к поражению электрическим током.
 14. **Не используйте инструмент вблизи горючих материалов.** Эти материалы могут воспламениться от искр.
 15. **Не используйте принадлежности, требующие жидкостного охлаждения.** Использование воды или других охлаждающих жидкостей может привести к поражению электротоком.
- Отдача и соответствующие предупреждения**
Отдача – это мгновенная реакция на неожиданное застопоривание вращающегося диска, опорной подушки, щетки или другой принадлежности. Зажимание или застопоривание вызывает резкий останов вращающейся принадлежности, что, в свою очередь, приводит к неконтролируемому рывку инструмента в направлении, противоположном вращению принадлежности в момент застревания. Например, если абразивный диск зажимается или прихватывается деталью, край диска, находящийся в точке заклинивания, может углубиться в поверхность детали, что приведет к выкатыванию или выскакиванию диска. Диск может совершить рывок в направлении оператора или обратно, в зависимости от направления перемещения диска в точке заклинивания. Также в этих условиях абразивные диски могут сломаться.
- Отдача – это результат неправильного использования электроинструмента и/или неправильных методов или условий работ, чего можно избежать, соблюдая нижеуказанные меры предосторожности.
1. **Крепко держите электроинструмент и располагайте свое тело и руки так, чтобы можно было сопротивляться силам отдачи.** Обязательно пользуйтесь вспомогательной рукояткой (при наличии), чтобы обеспечить максимальный контроль над отдачей или крутящим моментом во время пуска. Оператор способен справиться с крутящим моментом и силами отдачи при условии соблюдения соответствующих мер безопасности.
 2. **Берегите руки от вращающейся насадки.** При отдаче насадка может задеть ваши руки.
 3. **Не становитесь на возможной траектории движения инструмента в случае отдачи.** При отдаче инструмент сместится в направлении, противоположном вращению диска в момент застревания.

4. **Соблюдайте особую осторожность при обработке углов, острых краев и т. п. Не допускайте ударов и застревания принадлежности.** Углы, острые края и удары способствуют прихватуванию вращающейся принадлежности, которое приводит к выходу из-под контроля или отдаче.
5. **Не устанавливайте на инструмент пильную цепь, принадлежность для резьбы по дереву или пильный диск.** Такие пилы часто дают отдачу и приводят к потере контроля.

Специальные предупреждения о безопасности для операций шлифования и абразивной резки:

1. **Используйте диски только рекомендованных для вашего электроинструмента типов и специальные защитные приспособления, разработанные для выбранного диска.** Диски, не предназначенные для данного инструмента, не обеспечивают достаточную степень защиты и небезопасны.
2. **Шлифовальная поверхность дисков с утопленным центром должна быть установлена под плоской поверхностью кромки кожуха.** Для неправильно установленного диска, выступающего над плоской поверхностью кромки кожуха, надлежащая защита не гарантируется.
3. **Ограждение должно быть надежно закреплено на инструменте и расположено для обеспечения максимальной защиты таким образом, чтобы как можно меньший сегмент диска выступал наружу.** Кожух помогает обезопасить оператора от разлета осколков разрушившегося диска, случайного прикосновения к диску и искр, которые могут воспламенить одежду.
4. **Диски должны использоваться только по рекомендованному назначению.** Например: не шлифуйте краем отрезного диска. Абразивные отрезные диски предназначены для периферийного шлифования, и боковые усилия, приложенные к таким дискам, могут вызвать их разрушение.
5. **Обязательно используйте неповрежденные фланцы для дисков соответствующего размера и формы.** Подходящие фланцы поддерживают диск, снижая вероятность его повреждения. Фланцы для отрезных дисков могут отличаться от фланцев для шлифовальных дисков.
6. **Не используйте изношенные диски от более крупных электроинструментов.** Диски, предназначенные для более мощного электроинструмента, не подходят для высокоскоростного электроинструмента меньшей мощности и могут разломиться.

Дополнительные специальные предупреждения о безопасности для операций абразивной резки:

1. **Не “заклинивайте” отрезной диск и не прикладывайте к нему чрезмерное давление. Не пытайтесь делать слишком глубокий разрез.** Перенапряжение диска увеличивает нагрузку и вероятность искривления или застревания диска в прорези, а также отдачи или поломки диска.

2. **Не становитесь на возможной траектории движения вращающегося диска и позади него.** Если во время работы диск движется от вас, то при отдаче вращающийся диск и инструмент может отбросить прямо на вас.
3. **Если диск застревает или процесс резания прерывается по другой причине, выключите электроинструмент и держите его неподвижно до полной остановки диска.** Не пытайтесь извлечь отрезной диск из разреза до полной остановки диска, в противном случае может возникнуть отдача. Выясните и устраните причину застревания диска.
4. **Не перезапускайте отрезной диск, пока он находится в детали.** Дождитесь, пока диск разовьет максимальную скорость, и осторожно погрузите его в разрез. Диск может застрять, отдача может отбросить его вверх или назад, если перезапустить электроинструмент непосредственно в детали.
5. **Устанавливайте опоры под панели или большие детали, чтобы уменьшить риск застревания диска и возникновения отдачи.** Большие детали имеют тенденцию к прогибанию под собственным весом. При резании таких панелей необходимо поместить опоры под разрезаемой деталью рядом с линией разреза и рядом с краем детали с обеих сторон диска.
6. **Будьте особенно осторожны при выполнении врезки в существующих стенах или на других участках, недоступных для осмотра.** Выступающая часть диска может перерезать газовые или водопроводные трубы, электропроводку или детали, что может вызвать отдачу.

Специальные инструкции по технике безопасности для выполнения операций шлифовки:

1. **Не пользуйтесь наждачной бумагой слишком большого размера.** При выборе наждачной бумаги следуйте рекомендациям производителя. Большие размеры наждачной бумаги, выступающей за края подложки, могут привести к разрыву бумаги, застреванию, разрушению круга или отдаче.

Специальные инструкции по технике безопасности, относящиеся к операциям очистки проволочной щеткой:

1. **Берегитесь проволоки, которые разлетаются от щетки даже в нормальном режиме работы. Не прикладывайте чрезмерное усилие на проволоку, слишком сильно нажимая на щетку.** Проволока щетки может легко пробить одежду и/или кожу.
2. **Если для работы по очистке проволочными щетками рекомендуется использовать кожух, не допускайте контакта проволочного диска или щетки с кожухом.** Проволочный диск или щетка могут увеличиваться в диаметре под воздействием нагрузки и центробежных сил.

Дополнительные правила техники безопасности:

1. При применении дисков с утопленным центром используйте только диски, армированные стекловолокном.
2. **ЗАПРЕЩАЕТСЯ ИСПОЛЬЗОВАТЬ** с этим инструментом шлифовальные чашки для камня. Данная шлифмашина не предназначена для дисков такого типа, их использование может привести к тяжелой травме.
3. Будьте осторожны во избежание повреждения шпинделя, фланца (особенно его установочной поверхности) или контргайки. Повреждения этих деталей могут привести к поломке диска.
4. Перед включением выключателя убедитесь, что диск не касается детали.
5. Перед использованием инструмента на реальной детали дайте ему немного поработать вхолостую. Следите за вибрацией или биением, которые могут свидетельствовать о неправильной установке или плохой балансировке диска.
6. Для выполнения шлифования пользуйтесь соответствующей поверхностью диска.
7. Не оставляйте работающий инструмент без присмотра. Включайте инструмент только тогда, когда он находится в руках.
8. Сразу после окончания работ не прикасайтесь к обработанной детали. Она может быть очень горячей, что приведет к ожогам кожи.
9. Соблюдайте инструкции изготовителя по правильной установке и использованию дисков. Бережно обращайтесь с дисками и аккуратно храните их.
10. Не пользуйтесь отдельными переходными втулками или адаптерами для крепления абразивных дисков с большими отверстиями.
11. Пользуйтесь только фланцами, предназначенными для данного инструмента.
12. Для инструментов, предназначенных для использования дисков с резьбовым отверстием, убедитесь, что резьба диска достаточна, чтобы диск можно было полностью завернуть на шпиндель.
13. Убедитесь, что обрабатываемая деталь имеет надлежащую опору.
14. Обратите внимание на то, что диск будет некоторое время вращаться после выключения инструмента.
15. Если в месте выполнения работ очень высокая температура и влажность или наблюдается большое количество токопроводящей пыли, используйте прерыватель цепи (30 мА) для обеспечения безопасности работ.
16. Не используйте инструмент на любых материалах, содержащих асбест.
17. При использовании отрезного диска, всегда работайте с защитным кожухом с патрубком для удаления пыли, установка которого необходима в соответствии с местными нормативными требованиями.

18. Не подвергайте отрезные круги какому-либо боковому давлению.
19. Не пользуйтесь тканевыми перчатками во время работы. Волокна от тканевых перчаток могут попасть в инструмент и привести к его поломке.

СОХРАНИТЕ ДАННЫЕ ИНСТРУКЦИИ.

▲ОСТОРОЖНО: НЕ ДОПУСКАЙТЕ, чтобы удобство или опыт эксплуатации данного устройства (полученный от многократного использования) доминировали над строгим соблюдением правил техники безопасности при обращении с этим устройством. **НЕПРАВИЛЬНОЕ ИСПОЛЬЗОВАНИЕ** инструмента или несоблюдение правил техники безопасности, указанных в данном руководстве, может привести к тяжелой травме.

Важные правила техники безопасности для работы с аккумуляторным блоком

1. Перед использованием аккумуляторного блока прочитайте все инструкции и предупреждающие надписи на (1) зарядном устройстве, (2) аккумуляторном блоке и (3) инструменте, работающем от аккумуляторного блока.
2. Не разбирайте аккумуляторный блок.
3. Если время работы аккумуляторного блока значительно сократилось, немедленно прекратите работу. В противном случае, может возникнуть перегрев блока, что приведет к ожогам и даже к взрыву.
4. В случае попадания электролита в глаза промойте их обильным количеством чистой воды и немедленно обратитесь к врачу. Это может привести к потере зрения.
5. Не замыкайте контакты аккумуляторного блока между собой:
 - (1) Не прикасайтесь к контактам какими-либо токопроводящими предметами.
 - (2) Не храните аккумуляторный блок в контейнере вместе с другими металлическими предметами, такими как гвозди, монеты и т. п.
 - (3) Не допускайте попадания на аккумуляторный блок воды или дождя.Замыкание контактов аккумуляторного блока между собой может привести к возникновению большого тока, перегреву, возможным ожогам и даже поломке блока.
6. Не храните инструмент и аккумуляторный блок в местах, где температура может достигать или превышать 50 °C (122 °F).
7. Не бросайте аккумуляторный блок в огонь, даже если он сильно поврежден или полностью вышел из строя. Аккумуляторный блок может взорваться под действием огня.

8. Не роняйте и не ударяйте аккумуляторный блок.
9. Не используйте поврежденный аккумуляторный блок.
10. **Входящие в комплект литий-ионные аккумуляторы должны эксплуатироваться в соответствии с требованиями законодательства об опасных товарах.**
При коммерческой транспортировке, например, третьей стороной или экспедитором, необходимо нанести на упаковку специальные предупреждения и маркировку.
В процессе подготовки устройства к отправке обязательно проконсультируйтесь со специалистом по опасным материалам. Также соблюдайте местные требования и нормы. Они могут быть строже.
Закройте или закрепите разомкнутые контакты и упакуйте аккумулятор так, чтобы он не перемещался по упаковке.
11. **Выполняйте требования местного законодательства относительно утилизации аккумуляторного блока.**
12. **Используйте аккумуляторы только с продукцией, указанной Makita.** Установка аккумуляторов на продукцию, не соответствующую требованиям, может привести к пожару, перегреву, взрыву или утечке электролита.

СОХРАНИТЕ ДАННЫЕ ИНСТРУКЦИИ.

▲ВНИМАНИЕ: Используйте только фирменные аккумуляторные батареи Makita. Использование аккумуляторных батарей, не произведенных Makita, или батарей, которые были подвергнуты модификациям, может привести к взрыву аккумулятора, пожару, травмам и повреждению имущества. Это также автоматически аннулирует гарантию Makita на инструмент и зарядное устройство Makita.

Советы по обеспечению максимального срока службы аккумулятора

1. Заряжайте блок аккумуляторов перед его полной разрядкой. Обязательно прекратите работу с инструментом и зарядите блок аккумуляторов, если вы заметили снижение мощности инструмента.
2. Никогда не подзаряжайте полностью заряженный блок аккумуляторов. Перезарядка сокращает срок службы аккумулятора.
3. Заряжайте блок аккумуляторов при комнатной температуре в 10 - 40 °C (50 - 104 °F). Перед зарядкой горячего блока аккумуляторов дайте ему остыть.
4. Зарядите ионно-литиевый аккумуляторный блок, если вы не будете пользоваться инструментом длительное время (более шести месяцев).

Важные правила техники безопасности для работы с беспроводным блоком

1. Не разбирайте и не меняйте конструкцию беспроводного блока.
2. Храните беспроводной блок в недоступном для детей месте. При случайном проглатывании немедленно обратитесь к врачу.
3. Используйте беспроводной блок только с инструментами Makita.
4. Не подвергайте беспроводной блок воздействию дождя или влаги.
5. Не используйте беспроводной блок в тех местах, где температура превышает 50 °C.
6. Не используйте беспроводной блок в тех местах, где поблизости могут находиться медицинские инструменты, например, кардиостимуляторы.
7. Не используйте беспроводной блок в тех местах, где могут находиться автоматизированные устройства. При использовании автоматизированных устройств могут возникнуть сбои или ошибки.
8. Беспроводной блок может создавать электромагнитные поля (EMF), которые не представляют опасности для пользователя.
9. Беспроводной блок является точным инструментом. Не роняйте и не ударяйте беспроводной блок.
10. Не прикасайтесь к клемме беспроводного блока голыми руками или металлическими предметами.
11. Во время установки беспроводного блока обязательно вытаскивайте аккумулятор из инструмента.
12. Не открывайте крышку гнезда в таких местах, где в него может попасть пыль и вода. Входное отверстие гнезда всегда должно быть чистым.
13. Обязательно вставляйте беспроводной блок в правильном направлении.
14. Не нажимайте слишком сильно кнопку активации на беспроводном блоке и/или не нажимайте кнопку, используя объекты с острым краем.
15. Во время работы обязательно закрывайте крышку гнезда.
16. Не вытаскивайте беспроводной блок из гнезда, если на инструмент подано питание. Это может привести к неисправной работе беспроводного блока.
17. Не снимайте наклейку с беспроводного блока.
18. Не приклеивайте к беспроводному блоку никаких наклеек.
19. Не оставляйте беспроводной блок в таких местах, где может скапливаться статическое электричество или присутствовать электрические помехи.
20. Не оставляйте беспроводной блок в местах с высокой температурой, например на сиденье автомобиля в жару.

21. Не оставляйте беспроводной блок в местах, где присутствует пыль или порошок, или может образоваться коррозионный газ.
22. Внезапное изменение температуры может привести к образованию конденсата на беспроводном блоке. Не используйте беспроводной блок до тех пор, пока конденсат полностью не высохнет.
23. При чистке беспроводного блока аккуратно протрите его сухой мягкой тканью. Не используйте бензин, разбавитель, проводящую смазку или аналогичные материалы.
24. При хранении беспроводного блока поместите его в поставляемый футляр или в контейнер без статического электричества.
25. Не вставляйте в гнездо на инструменте никаких других устройств, кроме беспроводного блока Makita.
26. Не используйте инструмент с поврежденной крышкой гнезда. В гнездо может попасть вода, пыль и грязь, это может привести к неисправности.
27. Не тяните и/или не скручивайте крышку гнезда сильнее, чем это необходимо. Если крышка отсоединилась от инструмента, установите ее на место.
28. Замените крышку гнезда, если она утеряна или повреждена.

СОХРАНИТЕ ДАННЫЕ ИНСТРУКЦИИ.

ОПИСАНИЕ РАБОТЫ

⚠ВНИМАНИЕ: Перед регулировкой или проверкой функций инструмента обязательно убедитесь, что он выключен и его аккумуляторный блок снят.

Установка или снятие блока аккумуляторов

⚠ВНИМАНИЕ: Обязательно выключайте инструмент перед установкой и извлечением аккумуляторного блока.

⚠ВНИМАНИЕ: При установке и извлечении аккумуляторного блока крепко удерживайте инструмент и аккумуляторный блок. Если не соблюдать это требование, они могут выскользнуть из рук, что приведет к повреждению инструмента, аккумуляторного блока и травмированию оператора.

► **Рис.1:** 1. Красный индикатор 2. Кнопка 3. Блок аккумулятора

Для снятия аккумуляторного блока нажмите кнопку на лицевой стороне и извлеките блок.

Для установки аккумуляторного блока совместите выступ аккумуляторного блока с пазом в корпусе и задвиньте его на место. Устанавливайте блок до упора так, чтобы он зафиксировался на месте с небольшим щелчком. Если вы можете видеть красный индикатор на верхней части клавиши, адаптер аккумулятора не полностью установлен на месте.

⚠ВНИМАНИЕ: Обязательно устанавливайте аккумуляторный блок до конца, чтобы красный индикатор не был виден. В противном случае аккумуляторный блок может выпасть из инструмента и нанести травму вам или другим людям.

⚠ВНИМАНИЕ: Не прилагайте чрезмерных усилий при установке аккумуляторного блока. Если блок не двигается свободно, значит он вставлен неправильно.

Индикация оставшегося заряда аккумулятора

Только для блоков аккумулятора с индикатором

► **Рис.2:** 1. Индикаторы 2. Кнопка проверки

Нажмите кнопку проверки на аккумуляторном блоке для проверки заряда. Индикаторы загорятся на несколько секунд.

Индикаторы			Уровень заряда
Горит	Выкл.	Мигает	
			от 75 до 100%
			от 50 до 75%
			от 25 до 50%
			от 0 до 25%
			Зарядите аккумуляторную батарею.
			Возможно, аккумуляторная батарея неисправна.

ПРИМЕЧАНИЕ: В зависимости от условий эксплуатации и температуры окружающего воздуха индикация может незначительно отличаться от фактического значения.

Индикация оставшегося заряда аккумулятора

В зависимости от страны

При включении инструмента индикатор аккумулятора показывает оставшуюся емкость аккумулятора.

► **Рис.3:** 1. Индикатор аккумулятора

Оставшаяся емкость аккумулятора приведена в следующей таблице.

Состояние индикатора аккумуляторной батареи			Уровень заряда аккумулятора
Вкл.	Выкл.	Мигает	
			от 50% до 100%
			от 20% до 50%
			от 0% до 20%
			Зарядите аккумулятор

Система защиты инструмента/аккумулятора

На инструменте предусмотрена система защиты инструмента/аккумулятора. Она автоматически отключает питание двигателя для продления срока службы инструмента и аккумулятора. Инструмент автоматически остановится во время работы в следующих случаях:

Защита от перегрузки

Если из-за способа эксплуатации инструмент потребляет очень большое количество тока, он автоматически остановится без включения каких-либо индикаторов. В этом случае выключите инструмент и прекратите работу, повлекшую перегрузку инструмента. Затем включите инструмент для перезапуска.

Защита от перегрева

В случае перегрева инструмента он автоматически выключается и индикатор аккумулятора показывает следующее состояние. В таком случае дайте инструменту остыть, прежде чем вновь запустить его.

Вкл.	Мигает

Если инструмент не включается, значит, перегрелся аккумулятор. В этом случае дайте аккумулятору остыть перед повторным включением инструмента.

Защита от переразрядки

При истощении емкости аккумулятора инструмент автоматически останавливается. В этом случае извлеките аккумулятор из инструмента и зарядите его.

Выключение защитной блокировки

Если защитная система постоянно срабатывает, инструмент блокируется и индикатор аккумулятора показывает следующее состояние.

В этой ситуации инструмент не запустится даже при выключении и повторном включении. Чтобы выключить защитную блокировку, извлеките аккумулятор, установите его в зарядное устройство и дождитесь окончания зарядки.

Вкл.	Выкл.	Мигает

Фиксатор вала

Нажмите на фиксатор вала для предотвращения вращения шпинделя при установке или снятии дополнительных принадлежностей.

► Рис.4: 1. Фиксатор вала

ПРИМЕЧАНИЕ: Никогда не задействуйте фиксатор вала при вращающемся шпинделе. Это может привести к повреждению инструмента.

Действие выключателя

ВНИМАНИЕ: Перед установкой блока аккумулятора в инструмент обязательно убедитесь, что его рычаг переключателя нормально работает и возвращается в положение "OFF" (ВЫКЛ.) при отпускании.

ВНИМАНИЕ: Не давите сильно на рычаг переключателя, не нажав на рычаг разблокировки. Это может привести к поломке переключателя.

ВНИМАНИЕ: В целях безопасности инструмент оснащен рычагом разблокировки, который предотвращает случайное включение инструмента. **ЗАПРЕЩАЕТСЯ** использовать инструмент, если он включается, когда вы потянув триггерный переключатель, не потянув рычаг разблокировки. Верните инструмент в авторизованный сервисный центр для надлежащего ремонта ДО продолжения его эксплуатации.

ВНИМАНИЕ: ЗАПРЕЩЕНО фиксировать рычаг разблокировки при помощи липкой ленты и вносить изменения в его конструкцию.

Для предотвращения случайного нажатия рычага переключателя оборудован рычагом разблокировки. Для включения инструмента потяните рычаг разблокировки на себя и нажмите на рычаг переключателя. Для выключения инструмента отпустите рычаг переключателя.

► Рис.5: 1. Рычаг разблокировки 2. Рычаг переключателя

Поворотный регулятор скорости

Скорость вращения инструмента можно настраивать, поворачивая регулятор скорости. В таблице ниже приведены порядковые номера регулировок и соответствующая им скорость вращения.

► Рис.6: 1. Поворотный регулятор скорости



Цифра	Скорость
1	3 000 мин ⁻¹
2	4 500 мин ⁻¹
3	6 000 мин ⁻¹
4	7 500 мин ⁻¹
5	8 500 мин ⁻¹

ПРИМЕЧАНИЕ: Если инструментом пользоваться непрерывно на низкой скорости в течение продолжительного времени, двигатель будет перегружен, что приведет к поломке инструмента.

ПРИМЕЧАНИЕ: Меняя настройку скорости инструмента со значения "5" на "1", поворачивайте регулятор скорости против часовой стрелки. Не прилагайте силу, чтобы повернуть регулятор скорости по часовой стрелке.

Функция автоматического изменения скорости

► Рис.7: 1. Индикатор режима

Состояние индикатора режима	Режим работы
	Режим высокой скорости
	Режим высокого крутящего момента

В данном инструменте предусмотрен "режим высокой скорости" и "режим высокого крутящего момента". Он автоматически меняет режим работы в зависимости от нагрузки. Если во время работы включается индикатор режима, инструмент находится в режиме высокого крутящего момента.

Функция предотвращения случайного запуска

Даже при установке блока аккумулятора при нажатии рычага переключателя инструмент не запускается. Для включения инструмента предварительно освободите рычаг переключателя. Затем потяните рычаг разблокировки, после этого – рычаг переключателя.

Функция электронного контроля крутящего момента

С помощью электронного устройства инструмент определяет, что существует риск защемления диска или другой принадлежности. При выявлении таких рисков инструмент автоматически отключается для предотвращения дальнейшего вращения шпинделя (это не предотвращает отдачу). Чтобы перезапустить инструмент, сначала отключите его. Устраните причину внезапного снижения скорости вращения и вновь включите инструмент.

Функция плавного запуска

Функция плавного запуска снижает начальный рывок инструмента.

Электрический тормоз

Электрический тормоз активируется после выключения инструмента.

Тормоз не активируется, если питание отключено (например при извлеченном аккумуляторе), а переключатель находится в положении Вкл.

СБОРКА

⚠ВНИМАНИЕ: Перед регулировкой или проверкой функций инструмента обязательно убедитесь, что он выключен и его аккумуляторный блок снят.

Установка боковой ручки (рукоятки)

⚠ВНИМАНИЕ: Перед работой всегда проверьте надежность крепления боковой ручки.

Прочно закрепите боковую ручку на месте винтом, как показано на рисунке.

► Рис.8

Установка или снятие защитного кожуха (для диска с утопленным центром, откидного круга, гибкого диска, дисковой проволочной щетки / абразивного отрезного диска, алмазного диска)

⚠ОСТОРОЖНО: При использовании диска с утопленным центром, откидного круга, гибкого диска или дисковой проволочной щетки установите защитный кожух так, чтобы закрытая сторона кожуха была направлена к оператору.

⚠ОСТОРОЖНО: При использовании абразивного отрезного диска/алмазного диска может применяться только специальный защитный кожух, предназначенный для отрезных дисков.

(В некоторых странах Европы при использовании алмазного диска можно применять обычный кожух. Соблюдайте требования нормативов, действующих в вашей стране.)

Для инструмента с кожухом диска со стопорным винтом

Установите защитный кожух так, чтобы выступы на его хомуте совместились с пазами на коробке подшипника. Затем установите кожух диска под таким углом, чтобы во время работы он защищал оператора. Проверьте, чтобы винт был надежно затянут. Для снятия кожуха диска выполните процедуру установки в обратном порядке.

► Рис.9: 1. Кожух диска 2. Коробка подшипника 3. Винт

Для инструмента с кожухом диска с зажимным рычагом

Ослабьте винт и потяните рычаг в направлении, указанном стрелкой. Установите защитный кожух так, чтобы выступы на его хомуте совместились с пазами на коробке подшипника. Затем установите кожух диска под таким углом, чтобы во время работы он защищал оператора.

► Рис.10: 1. Кожух диска 2. Коробка подшипника 3. Винт 4. Рычаг

Потяните рычаг в направлении, указанном стрелкой. Затем зафиксируйте кожух диска, затянув винт. Проверьте, чтобы винт был надежно затянут. Регулировка установочного угла кожуха диска выполняется при помощи рычага.

► Рис.11: 1. Винт 2. Рычаг

Для снятия кожуха диска выполните процедуру установки в обратном порядке.

Установка и снятие диска с утопленным центром или откидного круга

Дополнительные принадлежности

⚠ОСТОРОЖНО: При использовании диска с утопленным центром или откидного круга кожух диска должен быть установлен так, чтобы его закрытая сторона была обращена к оператору.

⚠ВНИМАНИЕ: Убедитесь, что крепежный компонент внутреннего фланца идеально совпадает с внутренним диаметром диска с утопленным центром/откидного круга. Установочный внутренний фланец не с той стороны может привести к возникновению опасной вибрации.

Установите на шпindelь внутренний фланец. Убедитесь, что часть с выемкой внутреннего фланца установлена на ровный участок у нижней части шпинделя.

Установите диск с утопленным центром/откидной круг на внутренний фланец и закрутите контргайку на шпинделе.

► Рис.12: 1. Контргайка 2. Диск с утопленным центром 3. Внутренний фланец 4. Крепежный компонент

Для затяжки контргайки сильно надавите на фиксатор вала, чтобы шпindelь не проворачивался, затем воспользуйтесь ключом контргайки и крепко затяните ее по часовой стрелке.

► Рис.13: 1. Ключ контргайки 2. Фиксатор вала

Для снятия диска выполните процедуру установки в обратном порядке.

Установка и снятие гибкого диска

Дополнительные принадлежности

⚠ОСТОРОЖНО: При установке на инструмент гибкого диска обязательно используйте прилагаемый кожух. Во время работы диск может разрушиться. Защитный кожух снизит риск получения травмы.

► Рис.14: 1. Контргайка 2. Гибкий диск 3. Вспомогательная подушка 4. Внутренний фланец

Следуйте указаниям для диска с утопленным центром, а также установите над диском вспомогательную подушку. Порядок сборки дополнительных принадлежностей см. на соответствующей странице данного руководства.

Установка или снятие абразивного круга

Дополнительные принадлежности

ПРИМЕЧАНИЕ: Используйте принадлежности для шлифования, указанные в данном руководстве. Их необходимо приобретать отдельно.

Модель 100 мм (4 дюйма)

► **Рис.15:** 1. Шлифовальная контргайка
2. Абразивный круг 3. Резиновая подушка 4. Внутренний фланец

1. Установите на шпindelь внутренний фланец.
2. Установите резиновую подушку на шпindelь.
3. Установите круг на резиновую подушку и наведите на шпindelь шлифовальную контргайку.
4. Закрепите шпindelь с помощью фиксатора вала и надежно затяните шлифовальную контргайку по часовой стрелке с помощью ключа.

Для снятия круга выполните процедуру установки в обратном порядке.

Для модели 115 мм (4 - 1/2 дюйма)/125 мм (5 дюймов)

► **Рис.16:** 1. Шлифовальная контргайка
2. Абразивный круг 3. Резиновая подушка

1. Установите резиновую подушку на шпindelь.
2. Установите круг на резиновую подушку и наведите на шпindelь шлифовальную контргайку.
3. Закрепите шпindelь с помощью фиксатора вала и надежно затяните шлифовальную контргайку по часовой стрелке с помощью ключа.

Для снятия круга выполните процедуру установки в обратном порядке.

Подключение пылесоса

Дополнительные принадлежности

⚠ОСТОРОЖНО: Не используйте пылесос для удаления металлических частиц, образовавшихся в результате шлифования/резки/зачистки. Металлические частицы, образованные в результате таких операций, настолько горячие, что от них может произойти возгорание пыли и фильтра внутри пылесоса.

Чтобы избежать высокой запыленности, образующейся в результате резки каменной кладки, используйте кожух шлифовального диска с пылеотводом и пылесос.

См. руководство по сборке и эксплуатации, прилагаемое к кожуху шлифовального диска с пылеотводом.

► **Рис.17:** 1. Кожух шлифовального диска с пылеотводом 2. Шланг пылесоса

ЭКСПЛУАТАЦИЯ

⚠ОСТОРОЖНО: Никогда не прилагайте к инструменту чрезмерные усилия. Вес инструмента обеспечивает достаточное давление. Чрезмерное усилие и давление могут привести к опасному разрушению диска.

⚠ОСТОРОЖНО: ОБЯЗАТЕЛЬНО замените диск, если при шлифовании инструмент упал.

⚠ОСТОРОЖНО: ЗАПРЕЩАЕТСЯ стучать и бить шлифовальным кругом по обрабатываемой детали.

⚠ОСТОРОЖНО: Избегайте подпрыгивания и зацепления диска, особенно при обработке углов, острых краев и т. д. Это может привести к потере контроля и отдаче.

⚠ОСТОРОЖНО: Запрещается использовать инструмент с полотнами для обработки дерева или другими пильными дисками. При использовании на шлифмашине такие диски часто выскакивают, выходят из-под контроля и приводят к травмам.

⚠ВНИМАНИЕ: Запрещается включать инструмент, если он касается обрабатываемого изделия. Это может стать причиной травмы оператора.

⚠ВНИМАНИЕ: Во время выполнения операции всегда надевайте защитные очки или защитную маску.

⚠ВНИМАНИЕ: После работы всегда отключайте инструмент и дожидайтесь полной остановки диска перед тем, как положить инструмент.

⚠ВНИМАНИЕ: ВСЕГДА крепко держите инструмент, положив одну руку на корпус, а вторую - на боковую ручку (рукоятку).

Шлифовка и зачистка

► **Рис.18**

Включите инструмент, а затем прижмите диск или круг к обрабатываемой детали. Обычно следует держать край диска или круга под углом около 15 градусов относительно поверхности обрабатываемой детали.

В период приработки нового диска не перемещайте шлифмашину вперед, поскольку диск может врезаться в обрабатываемую деталь. После того как кромка диска закруглится от использования, можно будет перемещать его в обоих направлениях (вперед и назад).

Выполнение работ с абразивным отрезным/алмазным диском

Дополнительные принадлежности

▲ОСТОРОЖНО: При использовании абразивного отрезного диска/алмазного диска может применяться только специальный защитный кожух, предназначенный для отрезных дисков.

(В некоторых странах Европы при использовании алмазного диска можно применять обычный кожух. Соблюдайте требования нормативов, действующих в вашей стране.)

▲ОСТОРОЖНО: ЗАПРЕЩАЕТСЯ использовать отрезной диск для шлифовки боковой поверхностью.

▲ОСТОРОЖНО: Не “заклинивайте” диск и не оказывайте на него чрезмерное давление. Не пытайтесь делать слишком глубокий разрез. Чрезмерное давление на диск увеличивает нагрузку и вероятность искривления или застревания диска в прорези, а также возможность отдачи, поломки диска и перегрева электродвигателя.

▲ОСТОРОЖНО: Не запускайте отрезной диск, пока он находится в детали. Дайте диску раскрутиться до максимальной скорости, а затем осторожно введите в разрез, перемещая инструмент вперед по поверхности обрабатываемой детали. Диск может застрять, отдача может отбросить его вверх или назад, если запустить электроинструмент, когда диск находится в детали.

▲ОСТОРОЖНО: Во время операций резания нельзя менять угол наклона диска. Боковое давление на отрезной диск (как при шлифовке) приводит к растрескиванию и разрушению диска, в результате чего возможны серьезные травмы.

▲ОСТОРОЖНО: Работы с алмазным диском необходимо выполнять, удерживая его перпендикулярно рабочей поверхности.

- **Рис.19:** 1. Контргайка 2. Абразивный отрезной диск/алмазный диск 3. Внутренний фланец 4. Защитный кожух для абразивного отрезного диска/алмазного диска

Сведения по установке см. в инструкциях к диску с утопленным центром.

Направление установки контргайки и внутреннего фланца зависит от толщины и типа диска. Придерживайтесь следующих значений.

Модель 100 мм (4 дюйма)

При установке абразивного отрезного диска:

- **Рис.20:** 1. Контргайка 2. Абразивный отрезной диск (тоньше 4 мм (5/32 дюйма)) 3. Абразивный отрезной диск (4 мм (5/32 дюйма) или толще) 4. Внутренний фланец

При установке алмазного диска:

- **Рис.21:** 1. Контргайка 2. Алмазный диск (тоньше 4 мм (5/32 дюйма)) 3. Алмазный диск (4 мм (5/32 дюйма) или толще) 4. Внутренний фланец

Для модели 115 мм (4 - 1/2 дюйма)/125 мм (5 дюймов)

При установке абразивного отрезного диска:

- **Рис.22:** 1. Контргайка 2. Абразивный отрезной диск (тоньше 4 мм (5/32 дюйма)) 3. Абразивный отрезной диск (4 мм (5/32 дюйма) или толще) 4. Внутренний фланец

При установке алмазного диска:

- **Рис.23:** 1. Контргайка 2. Алмазный диск (тоньше 4 мм (5/32 дюйма)) 3. Алмазный диск (4 мм (5/32 дюйма) или толще) 4. Внутренний фланец

Операции с чашечной проволочной щеткой

Дополнительные принадлежности

▲ВНИМАНИЕ: Проверьте работу щетки, запустив инструмент на холостом ходу, предварительно убедившись, что никто не находится перед ним или на одной линии со щеткой.

▲ВНИМАНИЕ: Не используйте поврежденную или разбалансированную щетку. Использование поврежденной щетки может увеличить опасность получения травм от контакта с проволокой.

- **Рис.24:** 1. Чашечная проволочная щетка

Извлеките блок аккумулятора из инструмента и положите шпинделем вверх, чтобы обеспечить легкий доступ к шпинделю.

Снимите со шпинделя все дополнительные принадлежности. Наверните проволочную чашечную щетку на шпиндель и затяните прилагаемым ключом.

ПРИМЕЧАНИЕ: Не прилагайте слишком большое давление, так как оно может привести к тому, что проволока погнется во время использования щетки. Это может стать причиной преждевременной поломки.

Работа с дисковой проволочной щеткой

Дополнительные принадлежности

ВНИМАНИЕ: Проверьте работу дисковой проволочной щетки, запустив инструмент на холостом ходу и предварительно убедившись, что никто не находится перед ним или на одной линии с дисковой проволочной щеткой.

ВНИМАНИЕ: Не используйте поврежденную или разбалансированную дисковую проволочную щетку. Использование поврежденной дисковой проволочной щетки может увеличить риск получения травм от контакта с проволокой.

ВНИМАНИЕ: При работе с дисковой проволочной щеткой **ВСЕГДА** используйте защитный кожух, убедившись, что диаметр диска соответствует внутреннему диаметру кожуха. Во время работы диск может разрушиться. Защитный кожух снижает риск получения травмы.

► Рис.25: 1. Дисковая проволочная щетка

Извлеките блок аккумулятора из инструмента и положите шпинделем вверх, чтобы обеспечить легкий доступ к шпинделю.

Снимите со шпинделя все дополнительные принадлежности. Установите дисковую проволочную щетку на шпиндель и затяните ее с помощью ключей.

ПРИМЕЧАНИЕ: Не прилагайте слишком большое давление, так как оно может привести к тому, что проволока погнется во время использования дисковой проволочной щетки. Это может стать причиной преждевременной поломки.

ФУНКЦИЯ БЕСПРОВОДНОЙ АКТИВАЦИИ

Только для DGA418/DGA468/DGA518

Что позволяет делать функция беспроводной активации

Функция беспроводной активации обеспечивает беспрепятственную и удобную работу. Подключив к инструменту поддерживаемый пылесос, можно его автоматически запускать, используя переключатель инструмента.

► Рис.26

Чтобы использовать функцию беспроводной активации, подготовьте следующие компоненты:

- Беспроводной блок
- Пылесос, который поддерживает функцию беспроводной активации

Обзор настройки функции беспроводной активации выглядит следующим образом. Подробные процедуры см. в каждом разделе.

1. Установка беспроводного блока
2. Регистрация инструмента для пылесоса
3. Запуск функции беспроводной активации

Установка беспроводного блока

ВНИМАНИЕ: При установке беспроводного блока поместите инструмент на ровную и устойчивую поверхность.

ПРИМЕЧАНИЕ: Перед началом установки беспроводного блока очистите пыль и грязь на инструменте. Если пыль или грязь попадет в гнездо беспроводного блока, это может привести к неисправности.

ПРИМЕЧАНИЕ: Во избежание сбоев, вызванных статическим электричеством, прежде чем поднимать беспроводной блок, прикоснитесь к материалу, позволяющему снять статический разряд, например, к металлической части инструмента.

ПРИМЕЧАНИЕ: При установке беспроводного блока всегда следите за тем, чтобы беспроводной блок был вставлен в правильном направлении, и крышка была полностью закрыта.

1. Откройте крышку на инструменте, как показано на рисунке.

► Рис.27: 1. Крышка

2. Вставьте беспроводной блок в гнездо и закройте крышку.

При вставке беспроводного блока выровняйте выступы с углубленными участками в гнезде.

- Рис.28: 1. Беспроводной блок 2. Защита 3. Крышка 4. Углубленный участок

При извлечении беспроводного блока медленно откройте крышку. Если потянуть крышку, то крючки на обратной стороне крышки поднимут беспроводной блок.

- Рис.29: 1. Беспроводной блок 2. Крючок 3. Крышка

После извлечения беспроводного блока поместите его в поставляемый футляр или в контейнер без статического электричества.

ПРИМЕЧАНИЕ: Для снятия беспроводного блока обязательно используйте крючки на обратной стороне крышки. Если крючки не захватывают беспроводной блок, полностью закройте крышку и снова медленно откройте ее.

Регистрация инструмента для пылесоса

ПРИМЕЧАНИЕ: Для регистрации инструмента необходим пылесос Makita, поддерживающий функцию беспроводной активации.

ПРИМЕЧАНИЕ: Перед началом регистрации инструмента завершите установку беспроводного блока в инструмент.

ПРИМЕЧАНИЕ: Во время регистрации инструмента не тяните за триггерный переключатель и не включайте выключатель питания на пылесосе.

ПРИМЕЧАНИЕ: См. также руководство по эксплуатации пылесоса.

Если необходимо активировать пылесос одновременно с переключением инструмента, сначала завершите регистрацию инструмента.

1. Установите аккумулятор в пылесос и инструмент.
2. Установите выключатель режима ожидания на пылесосе в положение «АУТО» (автоматический).
► **Рис.30:** 1. Выключатель режима ожидания
3. Нажмите и удерживайте кнопку беспроводной активации на пылесосе в течение 3 секунд, пока лампа беспроводной активации не замигает зеленым цветом. Затем таким же образом нажмите кнопку беспроводной активации на инструменте.
► **Рис.31:** 1. Кнопка беспроводной активации
2. Лампа беспроводной активации

Если пылесос и инструмент надежно соединены друг с другом, то лампы беспроводной активации будут гореть зеленым светом в течение 2 секунд, затем начнут мигать синим цветом.

ПРИМЕЧАНИЕ: Через 20 секунд лампы беспроводной активации связи закончат мигать зеленым цветом. Если на пылесосе мигает лампа беспроводной активации, нажмите кнопку беспроводной активации на инструменте. Если лампа беспроводной активации не мигает зеленым цветом, нажмите кнопку беспроводной активации на короткое время, а затем снова удерживайте ее.

ПРИМЕЧАНИЕ: При выполнении двух или более регистраций инструмента для одного пылесоса завершите регистрацию инструмента одну за другой.

Запуск функции беспроводной активации

ПРИМЕЧАНИЕ: Перед беспроводной активацией завершите регистрацию инструмента для пылесоса.

ПРИМЕЧАНИЕ: См. также руководство по эксплуатации пылесоса.

После регистрации инструмента для пылесоса можно использовать переключатель инструмента для автоматического запуска пылесоса.

1. Установите беспроводной блок в инструмент.
2. Подсоедините шланг пылесоса к инструменту.
► **Рис.32**

3. Установите выключатель режима ожидания на пылесосе в положение «АУТО» (автоматический).

► **Рис.33:** 1. Выключатель режима ожидания

4. На короткое время нажмите кнопку беспроводной активации на инструменте. Лампа беспроводной активации мигает синим цветом.

► **Рис.34:** 1. Кнопка беспроводной активации
2. Лампа беспроводной активации

5. Потяните триггерный переключатель инструмента. Проверьте, работает ли пылесос при нажатии триггерного переключателя.

Чтобы остановить беспроводную активацию пылесоса, нажмите кнопку беспроводной активации на инструменте.

ПРИМЕЧАНИЕ: Если в течение 2 часов не будет выполняться никаких действий, то лампа беспроводной активации на инструменте перестанет мигать синим цветом. В этом случае установите выключатель режима ожидания на пылесосе в положение «АУТО» и снова нажмите кнопку беспроводной активации на инструменте.

ПРИМЕЧАНИЕ: Пылесос запускается/останавливается с задержкой. Когда пылесос обнаруживает переключение выключателя инструмента, возникает временная задержка.














ПРИМЕЧАНИЕ: Дальность передачи беспроводного блока может варьироваться в зависимости от местоположения и окружающих предметов.

ПРИМЕЧАНИЕ: Если на одном пылесосе зарегистрировано два или несколько инструментов, пылесос может начать работать, даже если триггерный переключатель не нажат, поскольку другой пользователь использует функцию беспроводной активации.

Описание статуса лампы беспроводной активации

► Рис.35: 1. Лампа беспроводной активации

Лампа беспроводной активации отображает состояние функции беспроводной активации. Значения состояния лампы см. в таблице ниже.

Состояние	Лампа беспроводной активации				Описание
	Цвет	 Вкл	 Мигает	Продолжительность	
Ожидание	Синий			2 часа	Доступна беспроводная активация пылесоса. Если в течение 2 часов не будет выполняться никаких операций, лампа автоматически выключится.
				Пока инструмент работает.	Доступна беспроводная активация пылесоса, инструмент работает.
Регистрация инструмента	Зеленая			20 секунд	Готовность к регистрации инструмента. Ожидание регистрации пылесосом.
				2 секунды	Регистрация инструмента завершена. Лампа беспроводной активации начнет мигать синим цветом.
Отмена регистрации инструмента	Красная			20 секунд	Готовность к отмене регистрации инструмента. Ожидание отмены пылесосом.
				2 секунды	Отмена регистрации инструмента завершена. Лампа беспроводной активации начнет мигать синим цветом.
Прочие	Красная			3 секунд	На беспроводной блок подается питание, и запускается функция беспроводной активации.
	Выкл	-	-	-	Беспроводная активация пылесоса прекращается.

Отмена регистрации инструмента для пылесоса

При отмене регистрации инструмента для пылесоса выполните следующую процедуру.

1. Установите аккумулятор в пылесос и инструмент.
2. Установите выключатель режима ожидания на пылесосе в положение «АУТО» (автоматический).

► Рис.36: 1. Выключатель режима ожидания

3. Нажмите и удерживайте кнопку беспроводной активации на пылесосе в течение 6 секунд. Лампа беспроводной активации мигает зеленым, а затем переключается на красный цвет. После этого нажмите кнопку беспроводной активации на инструменте таким же образом.

- Рис.37: 1. Кнопка беспроводной активации
2. Лампа беспроводной активации

Если отмена выполнена успешно, лампы беспроводной активации загорятся красным цветом на 2 секунды и начнут мигать синим цветом.

ПРИМЕЧАНИЕ: По истечении 20 секунд лампы беспроводной активации прекращают мигать красным цветом. Если на пылесосе мигает лампа беспроводной активации, нажмите кнопку беспроводной активации на инструменте. Если лампа беспроводной активации не мигает красным цветом, нажмите кнопку беспроводной активации на короткое время, а затем снова удерживайте ее.

Поиск и устранение неисправностей для функции беспроводной активации

Прежде чем обращаться по поводу ремонта, проведите осмотр самостоятельно. Если обнаружена неисправность, не указанная в руководстве, не пытайтесь разобрать инструмент. Обратитесь в один из авторизованных сервисных центров Makita, в которых для ремонта всегда используются оригинальные детали Makita.

Состояние неисправности	Возможная причина (неисправности)	Способ устранения
Лампа беспроводной активации не горит/мигает.	Беспроводной блок не установлен в инструмент. Беспроводной блок неправильно установлен в инструмент.	Правильно установите беспроводной блок.
	Грязь на клемме беспроводного блока и/или гнезда.	Аккуратно вытрите пыль и грязь на клемме беспроводного блока и очистите гнездо.
	Не нажата кнопка беспроводной активации на инструменте.	На короткое время нажмите кнопку беспроводной активации на инструменте.
	Выключатель режима ожидания на пылесосе не установлен в положение «АUTO» (автоматический).	Установите выключатель режима ожидания на пылесосе в положение «АUTO» (автоматический).
	Отсутствует электропитание	Подайте питание на инструмент и пылесос.
Не удается успешно завершить регистрацию/отмену регистрации инструмента.	Беспроводной блок не установлен в инструмент. Беспроводной блок неправильно установлен в инструмент.	Правильно установите беспроводной блок.
	Грязь на клемме беспроводного блока и/или гнезда.	Аккуратно вытрите пыль и грязь на клемме беспроводного блока и очистите гнездо.
	Выключатель режима ожидания на пылесосе не установлен в положение «АUTO» (автоматический).	Установите выключатель режима ожидания на пылесосе в положение «АUTO» (автоматический).
	Отсутствует электропитание	Подайте питание на инструмент и пылесос.
	Неверная операция	На короткое время нажмите кнопку беспроводной активации и снова выполните процедуру регистрации/отмены.
	Большое расстояние между инструментом и пылесосом (вне диапазона передачи).	Расположите инструмент и пылесос ближе друг к другу. Максимальное расстояние передачи составляет приблизительно 10 м, однако оно может изменяться в зависимости от обстоятельств.
	Перед завершением регистрации инструмента/отмены; - был вытяннут триггерный переключатель на инструменте или; - нажата кнопка питания на пылесосе.	На короткое время нажмите кнопку беспроводной активации и снова выполните процедуру регистрации/отмены.
	Процедура регистрации инструмента для инструмента или пылесоса не завершена.	Одновременно выполните процедуры регистрации инструмента для инструмента и для пылесоса.
Радиопомехи от других приборов, которые генерируют радиоволны высокой интенсивности.	Избегайте эксплуатации инструмента и пылесоса рядом с такими приборами, как устройства Wi-Fi и микроволновые печи.	

Состояние неисправности	Возможная причина (неисправности)	Способ устранения
Пылесос не работает при использовании переключателя инструмента.	Беспроводной блок не установлен в инструмент. Беспроводной блок неправильно установлен в инструмент.	Правильно установите беспроводной блок.
	Грязь на клемме беспроводного блока и/или гнезда.	Аккуратно вытрите пыль и грязь на клемме беспроводного блока и очистите гнездо.
	Не нажата кнопка беспроводной активации на инструменте.	На короткое время нажмите кнопку беспроводной активации и убедитесь в том, что лампа беспроводной активации мигает синим цветом.
	Выключатель режима ожидания на пылесосе не установлен в положение «АУТО» (автоматический).	Установите выключатель режима ожидания на пылесосе в положение «АУТО» (автоматический).
	В пылесосе зарегистрировано более 10 инструментов.	Выполните повторную регистрацию инструмента. Если в пылесосе зарегистрировано более 10 инструментов, инструмент, зарегистрированный самым первым, будет автоматически отменен.
	Пылесос удалил все записи регистрации инструментов.	Выполните повторную регистрацию инструмента.
	Отсутствует электропитание	Подайте питание на инструмент и пылесос.
	Большое расстояние между инструментом и пылесосом (вне диапазона передачи).	Расположите инструмент и пылесос ближе друг к другу. Максимальное расстояние передачи составляет приблизительно 10 м, однако оно может изменяться в зависимости от обстоятельств.
Радиопомехи от других приборов, которые генерируют радиоволны высокой интенсивности.	Избегайте эксплуатации инструмента и пылесоса рядом с такими приборами, как устройства Wi-Fi и микроволновые печи.	
Пылесос работает, хотя триггерный переключатель инструмента не был вытяннут.	Другие пользователи используют беспроводную активацию пылесоса с помощью своих инструментов.	Отключите кнопку беспроводной активации других инструментов или отмените регистрацию инструмента для других инструментов.

ОБСЛУЖИВАНИЕ

▲ ВНИМАНИЕ: Перед проведением проверки или работ по техобслуживанию всегда проверяйте, что инструмент выключен, а блок аккумуляторов снят.

ПРИМЕЧАНИЕ: Запрещается использовать бензин, растворители, спирт и другие подобные жидкости. Это может привести к обесцвечиванию, деформации и трещинам.

Очистка вентиляционного отверстия

Инструмент и его вентиляционные отверстия должны содержаться в чистоте. Производите регулярную очистку вентиляционных отверстий инструмента или очищайте их в случае засорения.

► **Рис.38:** 1. Вытяжное отверстие 2. Впускное вентиляционное отверстие

Снимите пылезащитную крышку с впускного вентиляционного отверстия и очистите ее, чтобы обеспечить свободное прохождение воздуха.

► **Рис.39:** 1. Пылезащитный кожух

ПРИМЕЧАНИЕ: При засорении пылезащитного кожуха пылью или посторонними вещами очистите его. Продолжение эксплуатации с засоренным пылезащитным кожухом приведет к повреждению инструмента.

ДОПОЛНИТЕЛЬНЫЕ ПРИНАДЛЕЖНОСТИ

▲ ВНИМАНИЕ: Данные принадлежности или приспособления рекомендуются для использования с инструментом Makita, указанным в настоящем руководстве. Использование других принадлежностей или приспособлений может привести к получению травмы. Используйте принадлежность или приспособление только по указанному назначению.

Если вам необходимо содействие в получении дополнительной информации по этим принадлежностям, свяжитесь с вашим сервис-центром Makita.

- Оригинальный аккумулятор и зарядное устройство Makita
- Беспроводной блок (для моделей с функцией беспроводной активации)

► **Рис.40**

-	Модель 100 мм (4 дюйма)	Модель 115 мм (4-1/2 дюйма)	Модель 125 мм (5 дюймов)
1	Рукоятка 36		
2	Кожух диска (для шлифовального диска)		
3	Внутренний фланец		
4	Диск с утопленным центром/откидной круг		
5	Контргайка		
6	Вспомогательная подушка		
7	Гибкий диск		
8	Внутренний фланец и резиновая подушка 76	Резиновая подушка 100	Резиновая подушка 115
9	Абразивный круг		
10	Шлифовальная контргайка		
11	Дисковая проволочная щетка		
12	Чашечная проволочная щетка		
13	Кожух диска (для отрезного диска) *1		
14	Абразивный отрезной диск / алмазный диск		
15	Кожух шлифовального диска с пылеотводом		
-	Ключ контргайки		

ПРИМЕЧАНИЕ: *1 В некоторых странах Европы при использовании алмазного диска можно использовать обычный кожух вместо специального, закрывающего обе стороны диска. Соблюдайте требования нормативов, действующих в вашей стране.

ПРИМЕЧАНИЕ: Некоторые элементы списка могут входить в комплект инструмента в качестве стандартных приспособлений. Они могут отличаться в зависимости от страны.

Makita Europe N.V. Jan-Baptist Vinkstraat 2,
3070 Kortenberg, Belgium

Makita Corporation 3-11-8, Sumiyoshi-cho,
Anjo, Aichi 446-8502 Japan

www.makita.com

885616-985
EN, SV, NO, FI, LV,
LT, ET, RU
20170623