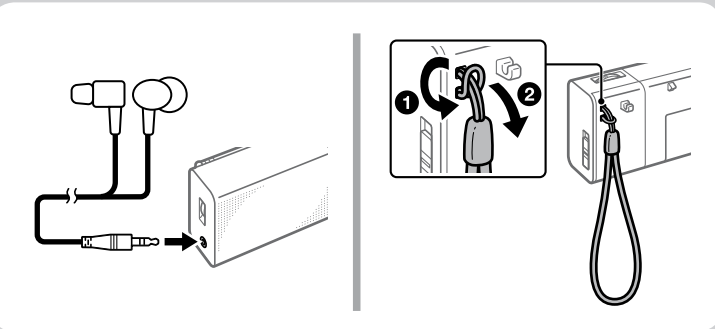
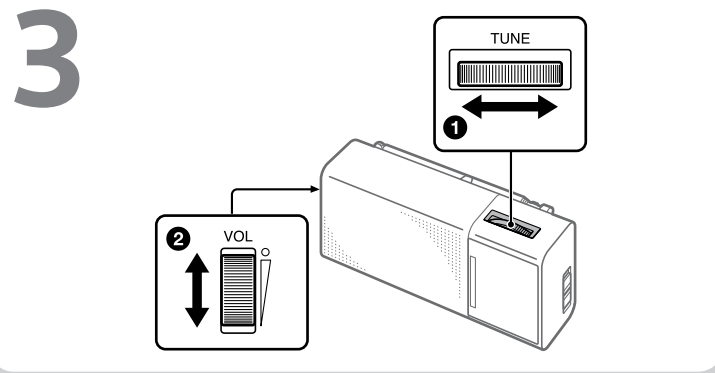
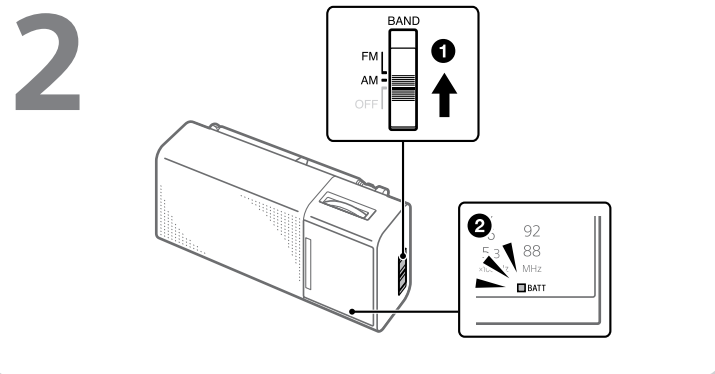
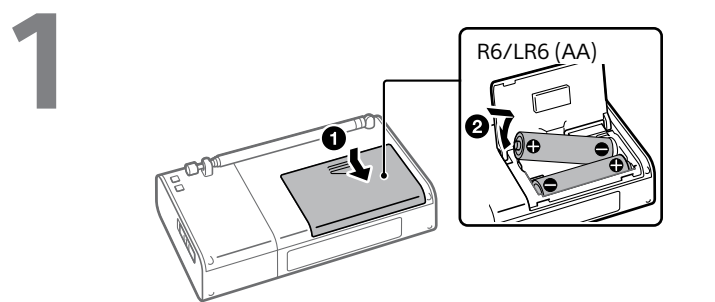


# FM/AM Radio

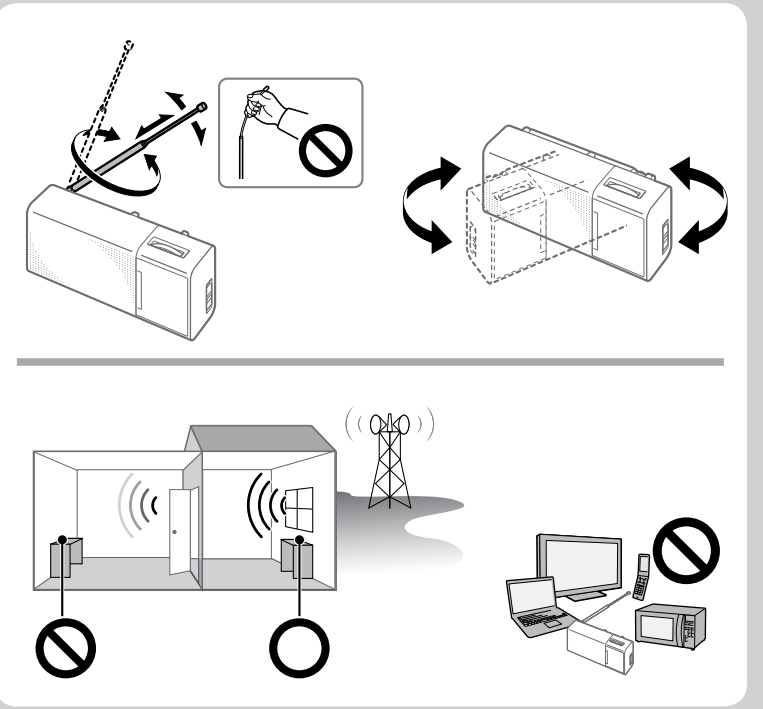
Operating Instructions  
Инструкция по эксплуатации  
Басқару нұсқаулары



ICF-P36



For Better Reception/Для улучшения приема/  
Сигналды жақсы қабылдау үшін



**English**

**WARNING**

Do not install the appliance in a confined space, such as a bookcase or built-in cabinet.

Do not expose the appliance to naked flame sources (for example, lighted candles).

Batteries or batteries installed apparatus shall not be exposed to excessive heat such as sunshine, fire or the like.

The nameplate and important information concerning safety are located on the bottom exterior.



FM/AM Radio

Manufacturer: Sony Corporation, 1-7-1, Konan, Minato-ku, Tokyo 108-0075, Japan

Made in China

Importer on the territory of the CU:  
CISC "Sony Electronics", 123103, Moscow, Karamyshevsky lane 6, Russia.

Organization accepting on the territory of Kazakhstan the claims from the users:  
CISC "Sony Electronics"  
Representative office in Kazakhstan  
Dostyk avenue, bld. 117/7, 050010, Almaty, Kazakhstan

**Production Date**

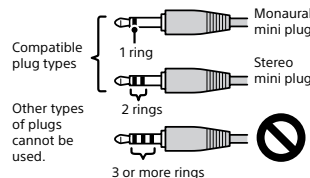
The date of manufacture is specified on the barcode label on the carton and the product in the following format: MM-YYYY, where MM-month and YYYY-the year of manufacturing.

This product is designed for listening to FM and AM radio stations.

**Precautions**

- Operate the unit only on 3 V DC with two R6/LR6 (size AA) batteries.
- Avoid exposure to temperature extremes, direct sunlight, moisture, sand, dust or mechanical shock. Never leave in a car parked under the sun.
- Should anything fall into the unit, remove the batteries, and have the unit checked by qualified personnel before operating it any further.
- Since a strong magnet is used for the speaker, keep personal credit cards using magnetic coding or spring-wound watches away from the unit to prevent possible damage from the magnet.

- When the casing becomes soiled, clean it with a soft dry cloth moistened with mild detergent solution.
- Never use abrasive cleansers or chemical solvents, as they may deform the casing.
- Make sure not to splash water on the unit. This unit is not waterproof.
- Listening with this unit at high volume may affect your hearing. For traffic safety, do not use this unit while driving or cycling.
- Under certain circumstances, especially when the air is very dry, it is not uncommon to experience a discharge of static electricity, or shock, when your body comes in contact with another object, in this case the ear buds touching your ear(s). The energy from this natural discharge is extremely small and is not emitted by your product but rather a natural environmental occurrence.
- Depending on the strength of radio signals, the TUNE (tuning) indicator may not light up even if a broadcast is being received. Furthermore, the indicator may light up incorrectly due to extraneous noise even when a broadcast is not being received. Use the TUNE indicator as a reference.
- When connecting headphones (not supplied) to the unit, use headphones with a stereo (3-pole) or monaural (2-pole) mini plug. Sound may not be heard when using other types of plugs.



\* When connecting stereo headphones, you will hear monaural sound in both ears.

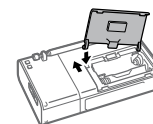
**When to replace the batteries**

Replace all batteries with new ones when the BATT (battery) indicator becomes dim or the sound becomes weak.

**Notes on batteries**

- Do not mix an old battery with a new one or mix different type of batteries.
- When you are not going to use the unit for a long time, remove the batteries to avoid damage from battery leakage and corrosion.
- Check if the batteries are inserted in the correct orientation (+ and -) when the radio does not turn on after battery replacement.
- Batteries have a recommended use-by date for proper use. When using expired batteries, battery life will be extremely short. Check the use-by date on the batteries and if they are expired, replace them with new ones.

**If the battery compartment cover comes off**



Insert the right hook tab of the lid into the right hole, then put the left hook tab on the edge of the opening and slide it slowly until it fits into the left hole.

If you have any questions or problems concerning your unit, please consult your nearest Sony dealer.

**Specifications**

**Frequency range:**

FM: 87.5 MHz – 108 MHz/AM: 530 kHz – 1,605 kHz

**Speaker:**

Approx. 5.7 cm dia., 8 Ω

**Output:**

⌀ (headphones) jack (ø3.5 mm mini jack)

**Power output:**

100 mW (at 10 % harmonic distortion)

**Power requirements:**

3 V DC, two R6/LR6 (size AA) batteries

**Battery life\*:**

Approx. 100 hours (FM reception)/Approx. 110 hours (AM reception)

\* When listening through the speaker on alkaline batteries manufactured by Sony (LR6SG). The actual battery life varies significantly depending on battery type (such as rechargeable batteries), usage and circumstances.

**Dimensions (W/H/D):**

Approx. 131.5 mm × 69.5 mm × 43.5 mm (incl. projecting parts)

**Mass:**

Approx. 220 g (incl. batteries)

**Quantity:**

Unit (1), Hand strap (1)

**Supplied accessory\*:**

Hand strap (1)

- Attachment loop: Polyester
- Connector: Olefin-based thermoplastic elastomer
- Strap: Polyamide
- Dimensions : Approx. 230 mm × 5.5 mm
- Country of origin: Made in China

\* Headphones are not included.

Design and specifications are subject to change without notice.

