

## INSTRUCTION MANUAL

## РУКОВОДСТВО ПО ЭКСПЛУАТАЦИИ

## ІНСТРУКЦІЯ З ЕКСПЛУАТАЦІЇ

## ЖАБДЫҚ НҰСҚАУЫ

GB	VACUUM CLEANER.....	3
RUS	ПЫЛЕСОС БЫТОВОЙ.....	3
UA	ПОБУТОВИЙ ПИЛОСОС.....	5
KZ	ТҰРМЫСТЫҚ ШАҢ СОРҒЫШЫ.....	6



[www.scarlett.ru](http://www.scarlett.ru)



**EAC**

**GB DESCRIPTION**

1. Wheel
2. Dust collector
3. Dust collector handle
4. Dust collector cover
5. Sucking inlet
6. Dust collector bottom release button
7. Dust collector bottom
8. Dust collector lock button
9. ON/OFF button
10. Power cord winding button
11. Main HEPA filter
12. Filter sponge
13. FLOOR/CARPET nozzle
14. FURNITURE nozzle
15. SLOT nozzle
16. 2-section tube
17. Hose
18. Hose locks
19. Hose base
20. Hose air flow control switch
21. Power cord and plug

**RUS УСТРОЙСТВО ИЗДЕЛИЯ**

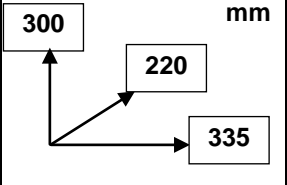
1. Колесо
2. Контейнер для сбора пыли
3. Ручка контейнера для сбора пыли
4. Крышка контейнера для сбора пыли
5. Всасывающее отверстие
6. Кнопка открытия дна контейнера для сбора пыли
7. Дно контейнера для сбора пыли
8. Кнопка фиксации контейнера для сбора пыли
9. Кнопка « Вкл./Выкл.»
10. Кнопка сматывания шнура питания
11. Основной HEPA фильтр
12. Губка фильтра
13. Насадка «пол/ ковер»
14. Насадка «мебель»
15. Насадка «щель»
16. 2-х секционная трубка
17. Шланг
18. Фиксаторы шланга
19. Основание шланга
20. Регулятор потока воздуха на шланге
21. Вилка и шнур питания

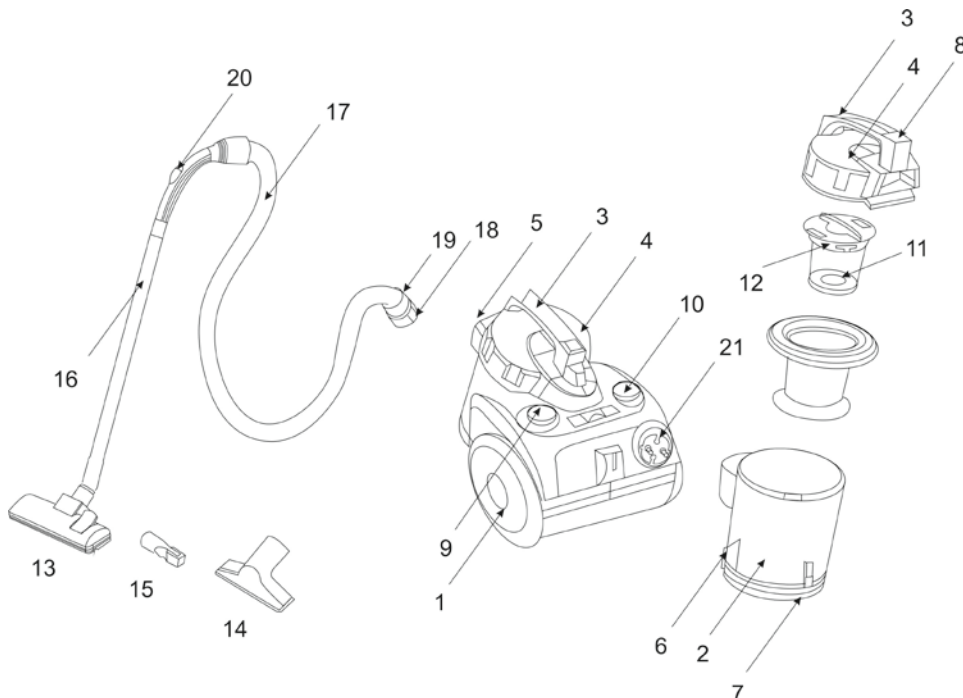
**UA ОПИС**

1. Колесо
2. Контейнер для збору пилу
3. Ручка контейнера для збору пилу
4. Кришка контейнера для збору пилу
5. Всмоктуючий отвір
6. Кнопка відкриття дна контейнера для збору пилу
7. Дно контейнера для збору пилу
8. Кнопка фіксації контейнера для збору пилу
9. Кнопка «Увімк./Вимк.»
10. Кнопка змотування кабелю живлення
11. Основний HEPA фільтр
12. Губка фільтру
13. Насадка «підлога/килим»
14. Насадка «меблі»
15. Насадка «щілина»
16. 2-х секційна трубка
17. Шланг
18. Фіксатори шланга
19. Основа шланга
20. Регулятор потоку повітря на шлангові
21. Вилка та кабель живлення

**KZ СИПАТТАМА**

1. Доңғалақ
2. Шаң жинауға арналған сауыт
3. Шаң жинауға арналған сауыттың тұтқасы
4. Шаң жинауға арналған сауыттың қақпағы
5. Шаң соратын саңылау
6. Шаң жинауға арналған сауытты ашатын батырма
7. Шаң жинауға арналған сауыттың түбі
8. Шаң жинауға арналған сауытты бекіту батырмасы
9. «Қосу/өшіру» түймешігі
10. Қуат сымын орауға арналған түймешік
11. Негізгі сүзгі HEPA
12. Сүзгінің жөкесі
13. «Еден/кілем» қондырмасы
14. «Жиһаз» қондырмасы
15. «Саңылау» қондырмасы
16. 2 бөліктен тұратын түтікше
17. Иілгіш түтік
18. Иілгіш түтіктің бекіткіштері
19. Иілгіш түтіктің тағаны
20. Иілгіш түтіктегі ауа ағынын реттегіш тетік
21. Аша мен қуат сымы

<p>~220-240 V / 50 Hz Класс защиты II</p>	<p>1500 W</p>	<p>3.2 / 5.0 kg</p>	<p>300 mm 220 mm 335 mm</p> 
---	---------------	---------------------	---



**GB INSTRUCTION MANUAL****IMPORTANT SAFEGUARDS**

- Read this instruction manual carefully to prevent any unit damage or injure when using.
- When using this appliance, basic precautions should always be followed:
- Before the first use of the appliance check that the voltage indicated on the rating label corresponds to the mains voltage in your home.
- For home use only. Do not use for industrial purposes.
- To reduce the risk of electric shock, do not use outdoors or on wet surfaces. Do not immerse unit or cord in any liquids.
- Do not handle the plug with wet hands. Never switch off the appliance by pulling the cord.
- Do not let the cord hang over sharp edges or touch hot surfaces.
- Always unplug the appliance from the power supply when not in use and before servicing.
- Do not use appliance with damaged cord or other defects. Do not attempt to repair the appliance, adjust or replace any parts. In case of malfunction, contact the authorized service center for examination, repair, electrical or mechanical adjustment.
- To avoid deforming of plastic components of the appliance or fire accident, never leave the appliance exposed to direct sun light or near any heater.
- This appliance is not intended for use by persons (including children) with reduced physical, sensory or mental capabilities, or lack of experience and knowledge, unless they have been given supervision or instruction concerning use of the appliances by a person responsible for their safety.
- Children should be supervised to ensure that they do not play with the appliance.
- To avoid damage of the flexible hose, do not fold or pull it strongly.
- Do not put any object into air outlets. Do not use with outlet blocked. Keep free of dust, hair and anything that may reduce airflow.
- Be careful when cleaning on stairs.
- Before you start using the vacuum cleaner, please remove all large or sharp objects from the floor in order to prevent damage of the unit.
- CAUTION: To avoid voltage overload do not plug the unit and other powerful electrical appliances to the power supply at the same time.
- Never use the vacuum cleaner without filters.
- Do not use the appliance on wet surfaces. This unit does not absorb water.
- If you have cleaned the carpet with liquid detergent, let the carpet dry up completely before vacuuming it.
- Never use the appliance without dust bin. Replace the dust bin without delay if it is damaged.
- Do not attempt to repair, adjust or replace parts in the appliance. Repair the malfunctioning appliance in the nearest service center.
- If the product has been exposed to temperatures below 0°C for some time it should be kept at room temperature for at least 2 hours before turning it on.
- The manufacturer reserves the right to introduce minor changes into the product design without prior notice, unless such changes influence significantly the product safety, performance, and functions.

**PREPARATION**

- Unpack the device and remove the sticker from the body.
- In order to connect the hose to the vacuum cleaner insert hose base into sucking inlet and press gently until it clicks. In order to disconnect the hose press two locks located at hose base sides.
- Insert the hose into the tube.
- Attach one of the nozzles to the tube:
- The "FLOOR/CARPET" combined nozzle is designed for carpet mats and similar floor coatings, and for flat surfaces;
- The "FURNITURE" nozzle is designed for cleaning upholstered furniture, curtains and decorative surfaces.

- The "SLOT" nozzle is designed for cleaning in areas, which are not easily accessible, such as corners or narrow slots.

**INSTRUCTION FOR USE**

- "Cyclone" system ensures maximum power during cleaning.
- Before starting, unwind the cord to sufficient length and insert the plug into the power supply. The yellow mark on the cord shows optimal cord length. Do not unwind the cord beyond the red mark.
- Press On/Off button to switch the unit on and press again to stop it.
- You can adjust the air flow using the air flow regulator on the flexible hose handle:
  - Decrease flow for cleaning curtains, books, furniture, etc.
  - Increase flow for cleaning bare floor.
- To rewind the cord, press the rewind button and guide the cord with hand to ensure that it does not whip causing damage.
- To prevent motor overheating do not work continuously longer than 30 minutes and obligatory stop the vacuum cleaner for no less than 15 min.

**CARE AND CLEANING**

- Switch off the appliance and pull the plug from the power supply.
- Clean the appliance outside surface with soft cloth using mild non-abrasive detergent.
- Vacuum cleaner or cord should never be immersed into water or any liquids.

**DUST COLLECTOR CLEANING**

- Disconnect the vacuum cleaner from the mains.
- Detach the dust collector. For this purpose press the dust collector lock button.
- Empty the dust collector. For this purpose press the dust collector release button.

**CLEANING OF FILTERS**

- Clean the filters at least once a year. In case if the vacuum cleaner is used frequently, wash the filters after each 3 to 5 dust collector cleaning operations.
- Disconnect the vacuum cleaner from the mains.
- Open the dust collector cover and remove the main filter.
- Wash all plastic parts and sponge of the filter with warm running water, and then dry them thoroughly.
- After cleaning insert the filter into place. Close the dust collector cover rotating it clockwise.
- Wash the filter with running water and dry it thoroughly.
- After cleaning insert the filter into place.
- WARNING! Do not use the vacuum cleaner with no filters attached! This may lead to damage of the electric motor.
- Do not wash the filters in washing machine and do not dry them with hair drier.

**STORAGE**

- Place the appliance vertically.
- Insert the tube into special holder on the body.

**RUS РУКОВОДСТВО ПО ЭКСПЛУАТАЦИИ  
МЕРЫ БЕЗОПАСНОСТИ**

- Внимательно прочитайте данную инструкцию перед эксплуатацией прибора во избежание поломок при использовании. Неправильное обращение может привести к поломке изделия, нанести материальный ущерб или причинить вред здоровью пользователя.
- При эксплуатации прибора соблюдайте следующие меры предосторожности:
- Перед первоначальным включением проверьте, соответствуют ли технические характеристики, указанные на изделии, параметрам электросети.
- Использовать только в бытовых целях. Прибор не предназначен для промышленного применения.
- Не используйте прибор вне помещений и на влажных поверхностях.
- Во избежание поражения электрическим током и возгорания, не погружайте прибор и шнур питания в воду или другие жидкости. Если это произошло, НЕ