

## PLX-1000 PLX-1000-N

**TURNTABLE  
PLATINE VINYLE  
PLATTENSPIELER  
GIRADISCHI  
DRAAITAFEL  
GIRADISCOS  
GIRADISCOS  
ПРОИГРЫВАТЕЛЬ  
ВИНИЛОВЫХ ДИСКОВ**

### <http://pioneerdj.com/support/>

The Pioneer DJ support site shown above offers FAQs, information on software and various other types of information and services to allow you to use your product in greater comfort.

Le site de support DJ de Pioneer indiqué ci-dessus propose une FAQ, des informations sur le logiciel et divers types d'informations et de services qui permettent une utilisation plus confortable de ce produit.

Die oben gezeigte Pioneer DJ-Support-Website enthält häufig gestellte Fragen, Informationen über Software und andere wichtige Informationen und Dienste, die Ihnen helfen, Ihr Produkt optimal zu verwenden.

Il sito di supporto DJ Pioneer indicato qui sopra offre una sezione FAQ, informazioni sul software ed informazioni e servizi di vario tipo, per permettere un uso più confortevole dei nostri prodotti.

De bovengenoemde Pioneer DJ ondersteuningswebsite biedt een overzicht van de vaak gestelde vragen, informatie over software en allerlei andere soorten informatie en diensten die u in staat stellen dit product met meer gemak te gebruiken.

El sitio de asistencia Pioneer DJ mostrado arriba ofrece las preguntas frecuentes, información del software y varios otros tipos de información y servicios que le permitirán usar su producto con mayor confort.

O site de suporte da Pioneer DJ mostrado acima oferece FAQs, informações sobre o software e outros tipos de informações e serviços para permitir utilizar o produto com um maior conforto.

На указанном выше сайте поддержки Pioneer DJ содержатся раздел часто задаваемых вопросов, информация по программному обеспечению, а также различные другие типы информации и услуг, позволяющие использовать ваше изделие более лучшим образом.

**Operating Instructions**

**Mode d'emploi**

**Bedienungsanleitung**

**Istruzioni per l'uso**

**Handleiding**

**Manual de instrucciones**

**Manual de instruções**

**Инструкции по эксплуатации**

Thank you for buying this Pioneer product. Please read through these operating instructions so you will know how to operate your model properly. After you have finished reading the instructions, put them away in a safe place for future reference. In some countries or regions, the shape of the power plug and power outlet may sometimes differ from that shown in the explanatory drawings. However the method of connecting and operating the unit is the same.



If you want to dispose this product, do not mix it with general household waste. There is a separate collection system for used electronic products in accordance with legislation that requires proper treatment, recovery and recycling.

Private households in the member states of the EU, in Switzerland and Norway may return their used electronic products free of charge to designated collection facilities or to a retailer (if you purchase a similar new one).

For countries not mentioned above, please contact your local authorities for the correct method of disposal.

By doing so you will ensure that your disposed product undergoes the necessary treatment, recovery and recycling and thus prevent potential negative effects on the environment and human health. **K058b\_A1\_En**

## WARNING

This equipment is not waterproof. To prevent a fire or shock hazard, do not place any container filled with liquid near this equipment (such as a vase or flower pot) or expose it to dripping, splashing, rain or moisture.

**D3-4-2-1-3\_A1\_En**

## WARNING

To prevent a fire hazard, do not place any naked flame sources (such as a lighted candle) on the equipment.

**D3-4-2-1-7a\_A1\_En**

## Operating Environment

Operating environment temperature and humidity: +5 °C to +35 °C (+41 °F to +95 °F); less than 85 %RH (cooling vents not blocked)

Do not install this unit in a poorly ventilated area, or in locations exposed to high humidity or direct sunlight (or strong artificial light).

**D3-4-2-1-7c\*\_A2\_En**

## WARNING

This product equipped with a three-wire grounding (earthed) plug - a plug that has a third (grounding) pin. This plug only fits a grounding-type power outlet. If you are unable to insert the plug into an outlet, contact a licensed electrician to replace the outlet with a properly grounded one. Do not defeat the safety purpose of the grounding plug.

**D3-4-2-1-6\_A1\_En**

## CAUTION

The **POWER** switch on this unit will not completely shut off all power from the AC outlet. Since the power cord serves as the main disconnect device for the unit, you will need to unplug it from the AC outlet to shut down all power. Therefore, make sure the unit has been installed so that the power cord can be easily unplugged from the AC outlet in case of an accident. To avoid fire hazard, the power cord should also be unplugged from the AC outlet when left unused for a long period of time (for example, when on vacation).

**D3-4-2-2-2a\*\_A1\_En**

## For Europe

### For Finland customers

Laitte on liitettävä suojamaadoituskoskettimilla varustettuun pistorasiaan

### For Norway customers

Apparatet må tilkoples jordet stikkontakt

### For Sweden customers

Apparaten skall anslutas till jordat uttag

**D3-4-2-1-6b\_A1\_En**

## CAUTION

TO PREVENT THE RISK OF ELECTRIC SHOCK, DO NOT REMOVE COVER (OR BACK). NO USER-SERVICEABLE PARTS INSIDE. REFER SERVICING TO QUALIFIED SERVICE PERSONNEL.

**D3-4-2-1-1\_B1\_En**

## POWER-CORD CAUTION

Handle the power cord by the plug. Do not pull out the plug by tugging the cord and never touch the power cord when your hands are wet as this could cause a short circuit or electric shock. Do not place the unit, a piece of furniture, etc., on the power cord, or pinch the cord. Never make a knot in the cord or tie it with other cords. The power cords should be routed such that they are not likely to be stepped on. A damaged power cord can cause a fire or give you an electrical shock. Check the power cord once in a while. When you find it damaged, ask your nearest PIONEER authorized service center or your dealer for a replacement.

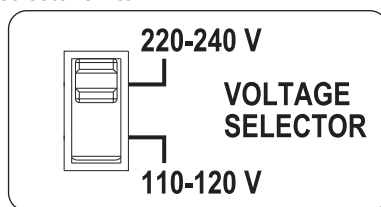
**S002\*\_A1\_En**

## Voltage selector

You can find the voltage selector switch on the top panel of multi-voltage models.

**The factory setting for the voltage selector is 220-240 V. Please set it to the correct voltage for your country or region.**

Before changing the voltage, disconnect the AC power cord. Use a medium size screwdriver to change the voltage selector switch.



**D3-4-2-1-5\*\_A2\_En**

## WARNING

Store small parts out of the reach of children and infants. If accidentally swallowed, contact a doctor immediately.

**D41-6-4\_A1\_En**

## VENTILATION CAUTION

When installing this unit, make sure to leave space around the unit for ventilation to improve heat radiation (at least 15 cm at top, 5 cm at rear, and 5 cm at each side).

**D3-4-2-1-7d\*\_A1\_En**

## For other areas

### Information to User

Alterations or modifications carried out without appropriate authorization may invalidate the user's right to operate the equipment.

**D8-10-2\_A1\_En**

# Contents

## How to read this manual

In this booklet, the names of the buttons and terminals of the main unit appear in square brackets ([ ]).

Examples:

- Press the **[START/STOP]** button.
- If this product is connected to a pre-main amplifier or component that does not have a **[PHONO]** terminal, sufficient volume and sound quality cannot be obtained. In this case, use the PHONO equalizer.

## 01 Before start

Features.....	3
What's in the box.....	3

## 02 Before you start

About the cartridge.....	4
Assembly.....	4

## 03 Part names and functions

Top panel.....	6
Rear panel.....	7

## 04 Adjustment

Adjusting the tone arm balance.....	8
Adjusting the stylus pressure.....	8
Adjusting anti-skating.....	8
Adjusting the arm lifter height.....	9
Adjusting the arm height.....	9

## 05 Connections

Descriptions of terminals.....	10
Basic style.....	10
Place of installation.....	11

## 06 Operation

Turning the power on.....	12
Turning the power off.....	12
Playback.....	12
Pausing playback.....	12
Finishing playback.....	12
Adjusting the pitch.....	13

## 07 Additional information

Troubleshooting.....	14
Cautions on use.....	14
Maintenance of each part.....	14
About trademarks and registered trademarks.....	14
Specifications.....	15

# Before start

## Features

This unit is a professional turntable that provides functions, durability, operability and sound quality suitable for a wide range of occasions, from listening at home to disco or club scenes.

## Direct drive system that achieves high torque

The unit turns at a constant speed with 0.1 % or less wow and flutter, 4.5 kg-cm or more starting torque and start time of 0.3 seconds (at 33 1/3 rpm).

## Design focused on high sound quality

- For the RCA terminal, we adopted a gold plated component made of the same cutting product as the TAD player, which is our flagship brand. A stable connection directly transmits the PHONO signal.
- External vibration effects are suppressed by the use of vibration suppression material between the top and bottom cabinet.

## Highly accurate, 3-level adjustable tempo control

- Tempo variable width can be adjusted to  $\pm 8\%$ ,  $\pm 16\%$ , and  $\pm 50\%$ . This provides highly flexible playback.
- Pressing the **[RESET]** button instantly returns the tempo to  $\pm 0\%$  constant rotation.

## Detachable power cord and audio cables

- Cables are not obstacles when the main unit is moved, thus preventing disconnection problems.
- By replacing the audio cable, it is possible to customize the unit to deliver the preferred sound.

## What's in the box

- Turntable
- Turntable sheet
- Slip mat
- Slip sheet
- Dust cover
- Adapter for EP record
- Balance weight
- Sub weight
- Headshell
- Shell weight
- Power cord
- Audio cable
- Ground wire
- Warranty (for some regions)<sup>[1]</sup>
- Operating instructions (this document)

[1] The included warranty is for the European region.

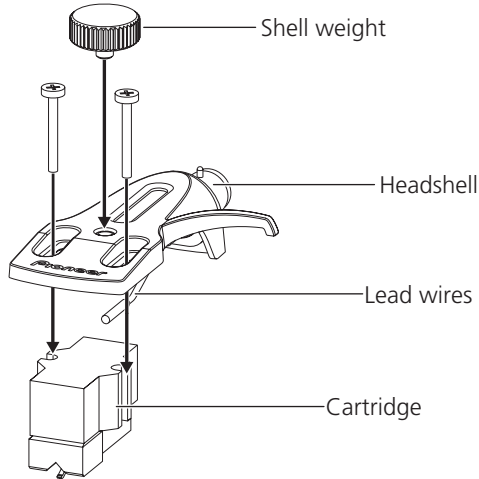
# Before you start

## About the cartridge

- The cartridge is not provided.
- Refer to the instruction manual for your cartridge.

### Attach the cartridge on the headshell.

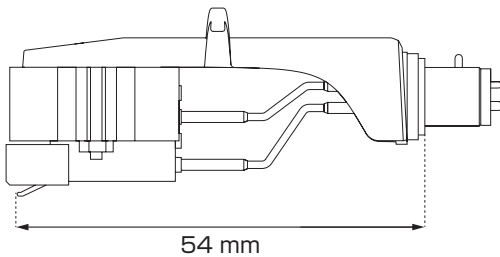
The lead wires of the headshell part are color-coded. Use tweezers or a similar tool to correctly connect the wires to the corresponding cartridge terminal per the indication on the cartridge.



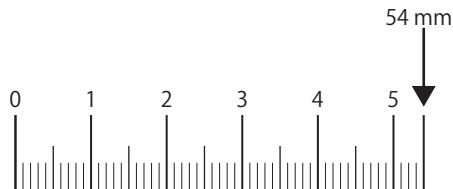
- When using a cartridge between 3.5 g and 6.5 g, use the supplied shell weight.

## Adjusting the overhang

Use the following overhang adjustment scale to adjust the position using the cartridge attaching screw so that the stylus tip comes to a position 54 mm from the tone arm attachment part.



### Overhang adjustment scale

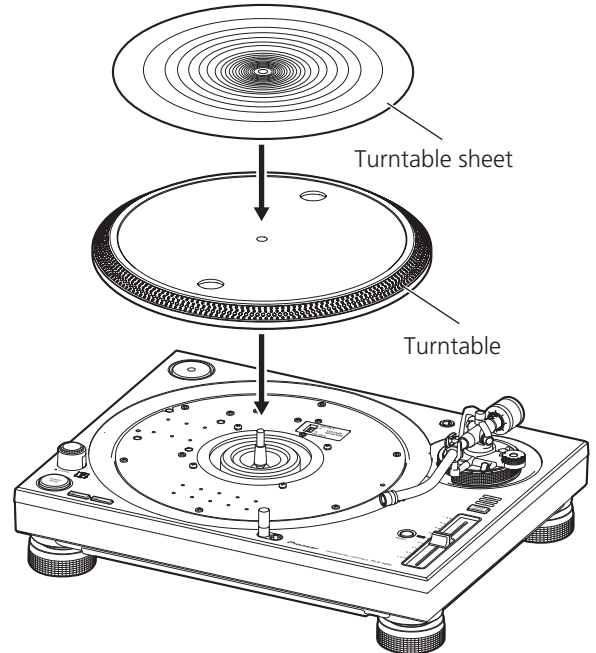


## Assembly

### 1 Attach the turntable and turntable sheet.

Set the turntable on the center spindle and place the turntable sheet on top of the turntable.

- Be careful not to hit the turntable on the main unit or drop it.
- Make sure that iron powder or other dust is not adhering to the magnet on the back of the turntable.
- Do not touch the magnet fixing screw of the turntable (3 locations). If the fixing screw position is changed, the rated performance cannot be guaranteed.

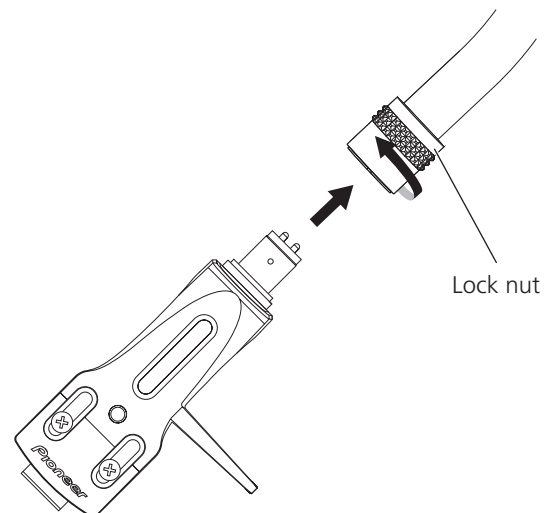


### 2 Attach the cartridge on the headshell.

The lead wires of the headshell part are color-coded. Use tweezers or a similar tool to correctly connect the wires to the corresponding cartridge terminal per the indication on the cartridge.

### 3 Attach the headshell.

Insert the headshell with attached cartridge into the tone arm. Next, while keeping the headshell horizontal, tighten the lock nut.

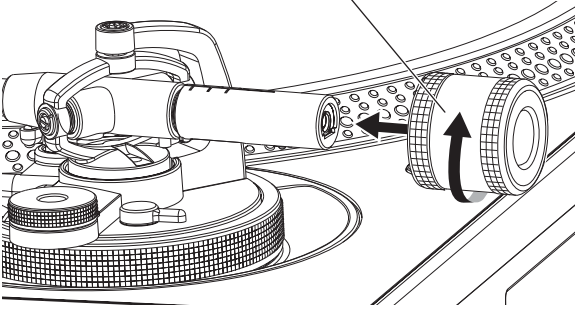




#### 4 Attach the balance weight.

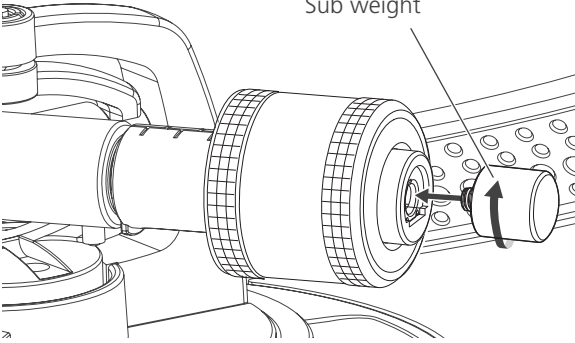
Attach the balance weight to the rear shaft of the tone arm.

Balance weight



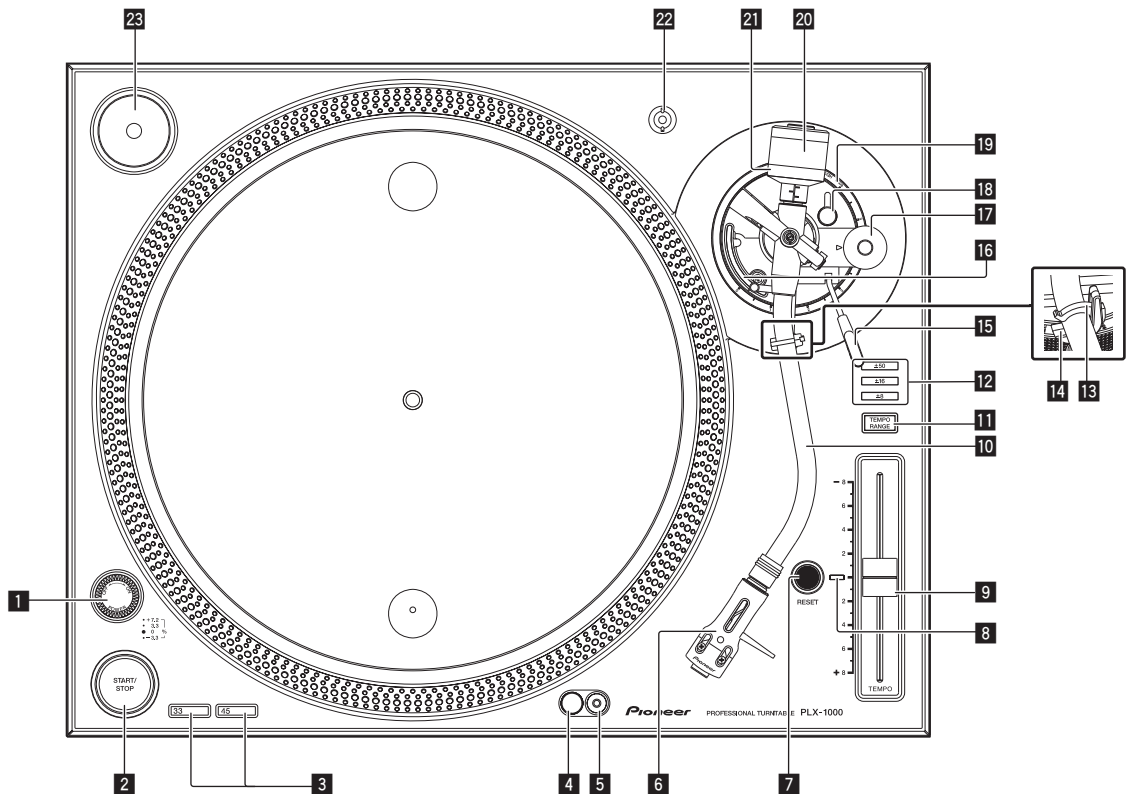
- When using a cartridge between 9.5 g and 13 g, attach the sub weight on the rear shaft of the tone arm.

Sub weight



# Part names and functions

## Top panel



### 1 POWER switch

When turning the switch to the [ON] side, the power is turned on and the strobe illuminator on the side lights.

➔ Playback (p.12)

### 2 START/STOP button

Pressing the button starts or stops rotation of the turntable.

➔ Playback (p.12)

### 3 Speed change button

Changes the speed according to the record to be played.

- For a 33 1/3 rpm record, press the [33] button.
- For a 45 rpm record, press the [45] button.

➔ Playback (p.12)

### 4 Stylus illuminator

Lights to illuminate the stylus tip.

➔ Playback (p.12)

### 5 Stylus illuminator switch

The stylus illuminator lights in white and ascends to the position at which the stylus tip is illuminated.

➔ Playback (p.12)

### 6 Headshell

Used with a cartridge attached.

### 7 RESET button

### 8 RESET indicator

Pressing the [RESET] button turns on the [RESET] indicator. While the [RESET] indicator is on, the turntable turns at the specified rotation speed (33 1/3 rpm or 45 rpm) regardless of the position of the TEMPO slider.

➔ Adjusting the pitch (p.13)

### 9 TEMPO slider

You can slide back and forth to perform fine adjustment of the rotation speed.

➔ Adjusting the pitch (p.13)

### 10 Tone arm

➔ Adjustment (p.8)

### 11 TEMPO RANGE button

Each time the button is pressed the tempo range switches, to  $\pm 8\%$ ,  $\pm 16\%$ , or  $\pm 50\%$ .

➔ Adjusting the pitch (p.13)

### 12 TEMPO RANGE indicator

The set tempo range lights in blue.

### 13 Arm clamber

Clamps the tone arm.

### 14 Arm rest

Serves as the support base for the tone arm.

### 15 Lifter lever

The tone arm goes up when the lever is pulled up. The tone arm goes down when the lever is pushed down.

### 16 Arm lifter

This device is used to move the tone arm up and down. It is operated by the lifter lever.

### 17 ANTI SKATING dial

When a record is played, there is power to pull the stylus tip toward the inner perimeter. By matching this dial to the stylus pressure value, that power is eliminated.

➔ Adjusting anti-skating (p.8)

**18 HEIGHT ADJUST lock**

Locks the adjusted height of the arm.

➔ *Adjusting the arm height* (p.9)

**19 HEIGHT ADJUST dial**

Used to adjust the height of the tone arm.

➔ *Adjusting the arm height* (p.9)

**20 Balance weight**

Used to balance the tone arm and adjust the stylus pressure.

➔ *Adjustment* (p.8)

**21 Stylus pressure adjustment ring**

Used to match to the appropriate stylus pressure of the cartridge.

➔ *Adjusting the stylus pressure* (p.8)

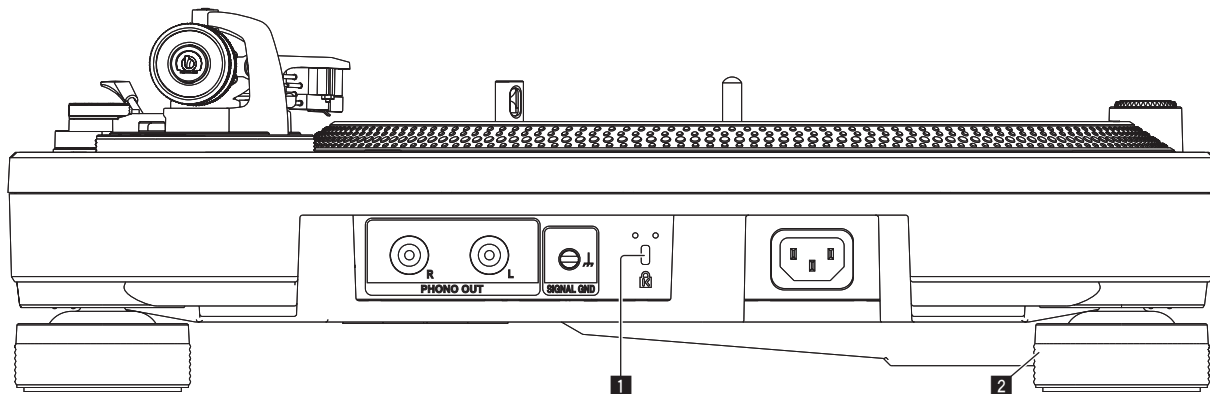
**22 Headshell stand**

Used to stand the shell up.

**23 Adapter for EP record**

Used to play standard EP records.

➔ *To play a standard EP record* (p.12)

**Rear panel**

For the terminals used for connections, see *Descriptions of terminals* on page 10.

**1 Kensington security slot****2 Insulator**

Suppresses the effect of outside vibration. Turning the insulator adjusts the turntable height.

➔ *Adjusting the height of the main unit* (p.11)

# Adjustment

## Adjusting the tone arm balance

- Because the cartridge and headshell weights differ depending on the product, the balance of the tone arm is adjusted.

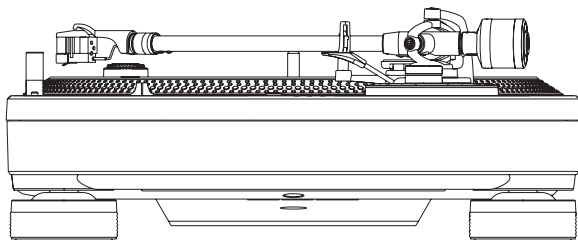
Prepare as follows.

- Remove the stylus cover and arm clasper while paying attention not to touch the stylus tip.
- Push down the lifter lever.
- Set the [ANTI SKATING] dial to "0".

### Keep the tone arm from the arm rest and adjust the balance so it is horizontal.

Turn the balance weight until the tone arm becomes almost horizontal.

- When moving the tone arm, make sure that the stylus tip does not directly touch the turntable and the like.



## Adjusting the stylus pressure

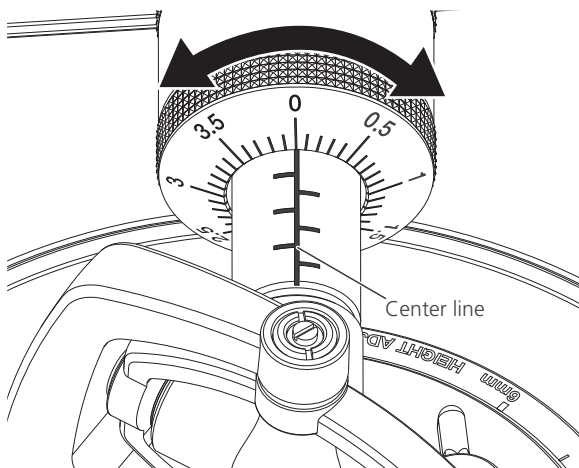
- To prevent stylus jumping or sound distortion, the stylus pressure is adjusted to the appropriate stylus pressure value determined for each cartridge.

Prepare as follows.

- Return the tone arm to the arm rest and secure with the arm clamp.

### 1 Match the "0" on the stylus pressure adjustment ring to the center line of the arm rear shaft.

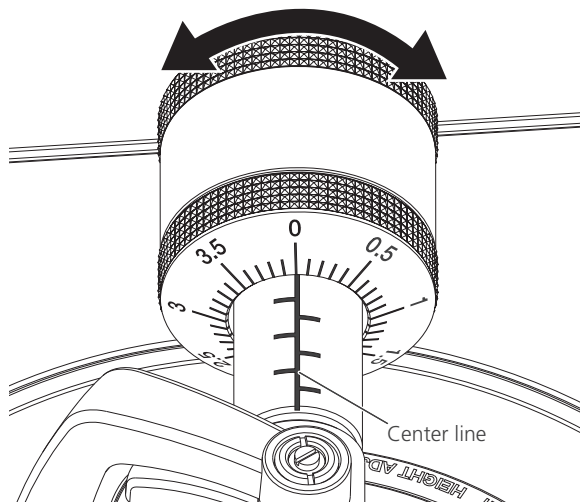
While using your finger to hold the balance weight to keep it from moving, turn only the stylus pressure adjustment ring so that the number "0" comes to the black center line of the tone arm rear shaft.



### 2 Adjust the stylus pressure.

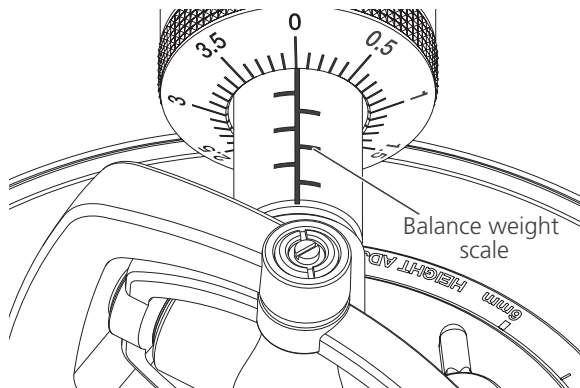
Turn the balance weight to adjust to the appropriate stylus pressure value for your cartridge.

- When turning the balance weight, the stylus pressure adjustment ring turns together. While observing the adjustment ring, adjust the stylus pressure to the appropriate value.



## Using the balance weight attachment scale

It is recommended to remember the balance weight scale position of your shell with cartridge because you can set the appropriate stylus pressure by simply setting to the set balance weight scale position without adjusting the tone arm horizontal balance.



1 Attach your shell with cartridge to the tone arm.

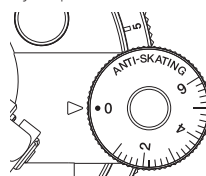
2 Using the value set for the balance weight, adjust the balance weight attachment scale position.

## Adjusting anti-skating

This adjustment is made to prevent stylus jumping.

Match to the same scale position as the stylus pressure value.

Turn the [ANTI SKATING] dial to match the reference line to the same value as the cartridge stylus pressure value.



## When scratch play is performed

To prevent stylus jumping, adjust the scale position to match the play action.

## Adjusting the arm lifter height

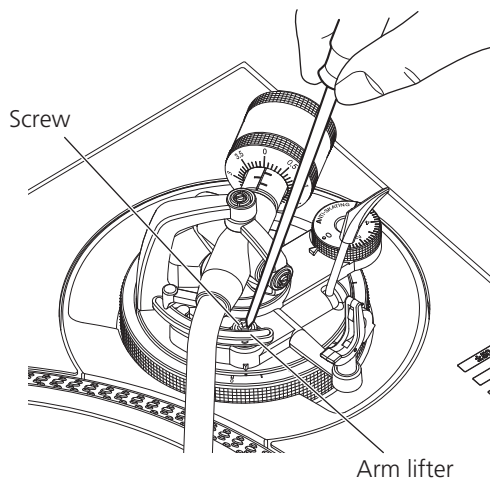
If necessary, perform adjustment to match the cartridge being used. Prepare as follows.

- Place a record on the turntable sheet.
- Remove the stylus cover and arm clamped while paying attention not to touch the stylus tip.
- Pull up the lifter lever and move the tone arm onto the record.

### Adjust the height by turning the screw while the arm lifter is pushed down.

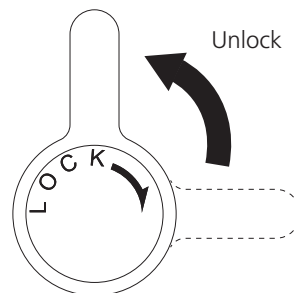
- Turning clockwise narrows the distance between the record and stylus.
- Turning counterclockwise widens the distance between the record and stylus.

The arm lifter height (the distance between the record and stylus when the lifter lever is pulled up) is factory-adjusted in a range between approximately 8 mm and 13 mm.



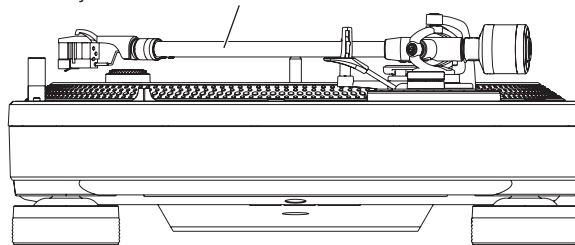
## Adjusting the arm height

- 1 Turn the [HEIGHT ADJUST] lock to unlock the lock.

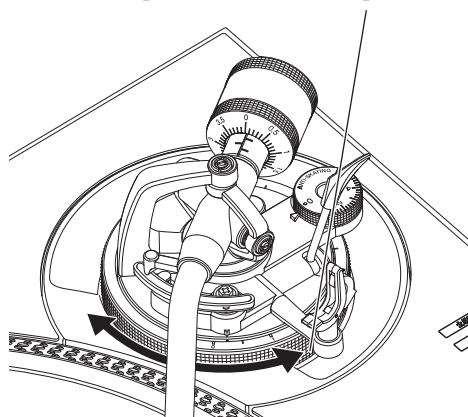


- 2 Push down the lifter lever and place the stylus on the record, then adjust the [HEIGHT ADJUST] dial to make the tone arm and record parallel.

Adjust so that the tone arm becomes horizontal



[HEIGHT ADJUST] dial



Refer to the following table to adjust the [HEIGHT ADJUST] dial to match the height to your cartridge size.

Cartridge size H (mm)	[HEIGHT ADJUST] dial scale position
	19
20	1
21	2
22	3
23	4
24	5
25	6

- 3 Turn the [HEIGHT ADJUST] lock to fix the height of the arm.

After adjusting height of the arm, always turn the [HEIGHT ADJUST] lock to fix the arm.

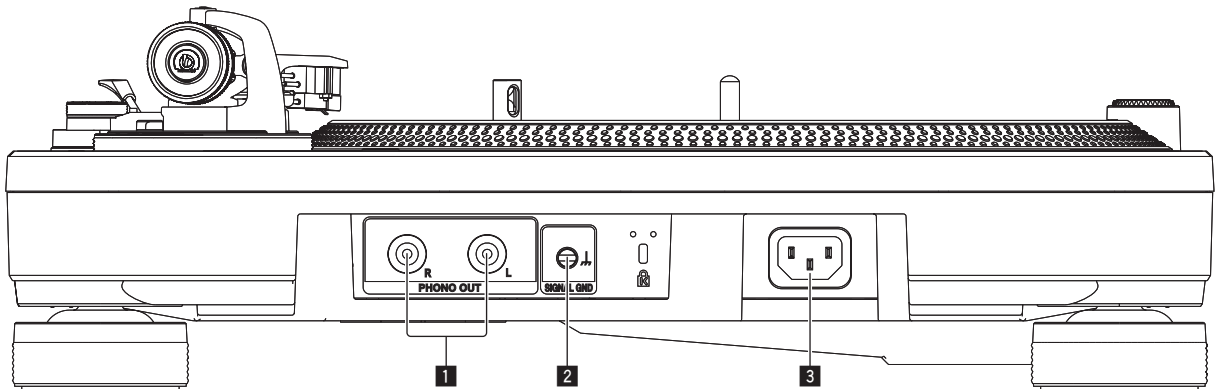
## When scratch play is performed

To prevent stylus jumping, use the [HEIGHT ADJUST] dial to adjust the arm height to match the play action.

# Connections

- Be sure to turn off the power and unplug the power cord from the power outlet whenever making or changing connections.
- Refer to the operating instructions for the component to be connected.
- Connect the power cord after all the connections between devices have been completed.

## Descriptions of terminals



### 1 PHONO OUT terminals

Connect the audio cables (included) here.

### 2 SIGNAL GND terminal

Connect the ground wire (accessory). This helps reduce noise when connecting an analog player.

### 3 AC IN

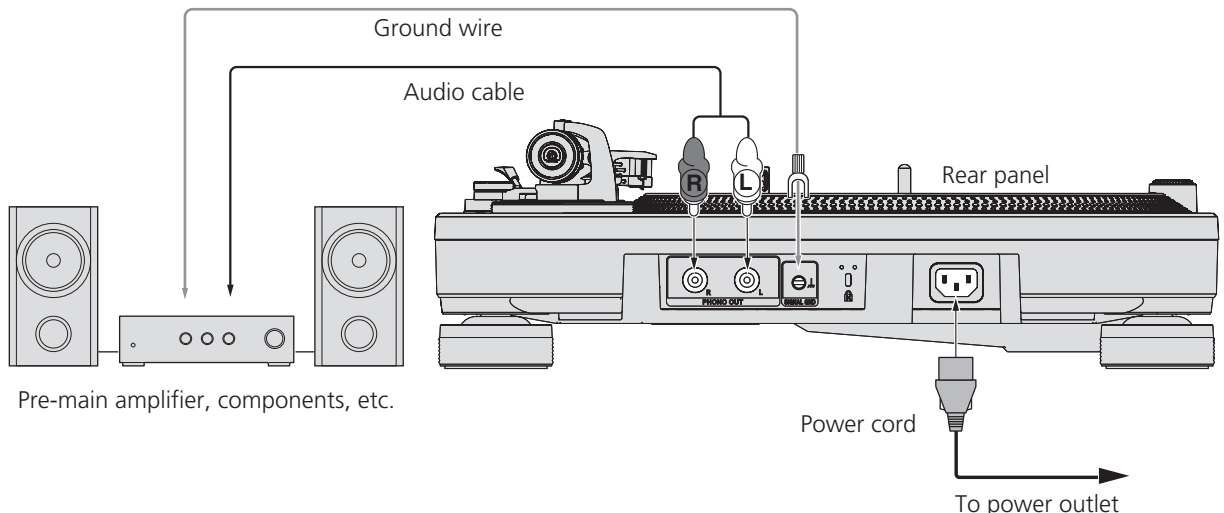
Connects to a power outlet using the included power cord. Wait until all connections between the equipment are completed before connecting the power cord.

- Be sure to use the included power cord.

## Basic style

- Connects to a power outlet using the included power cord. Wait until all connections between the equipment are completed before connecting the power cord.
- Refer to the operating instructions for the component to be connected.

## Connecting to a pre-main amplifier and component



### 1 Connect the audio cable and ground wire to the [PHONO] input terminal of the pre-main amplifier or other component.

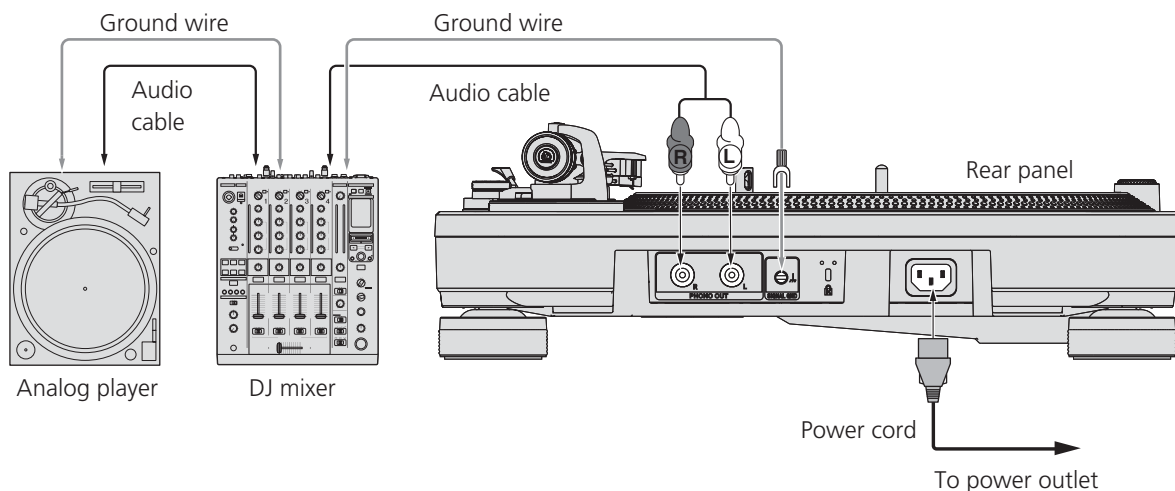
- If this product is connected to a pre-main amplifier or component that does not have a [PHONO] terminal, sufficient volume and sound quality cannot be obtained. In this case, use the PHONO equalizer.
- Make sure to connect the ground wire. If the unit is not properly grounded, a power hum (humming sound) occurs.

### 2 Connect the power cord.

Connects to a power outlet using the included power cord. Wait until all connections between the equipment are completed before connecting the power cord.

- Before connecting to the outlet (AC outlet) mounted on the connected equipment, check the wattage displayed on the outlet. (This unit consumes 9 W of power.)

## Connecting to a DJ mixer



### 1 Connect the audio cable and ground wire to the [PHONO] input terminal of the DJ mixer.

- If this product is connected to a DJ mixer that does not have a [PHONO] input terminal, sufficient volume and sound quality cannot be obtained.
- Make sure to connect the ground wire. If the unit is not properly grounded, a power hum (humming sound) occurs.

### 2 Connect the power cord.

Connects to a power outlet using the included power cord. Wait until all connections between the equipment are completed before connecting the power cord.

- Before connecting to the outlet (AC outlet) mounted on the connected equipment, check the wattage displayed on the outlet. (This unit consumes 9 W of power.)

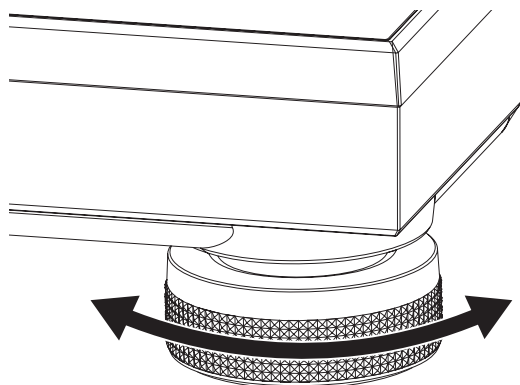
## Place of installation

Place the unit on a level surface that is free of external vibration.

- To the extent possible, keep the unit away from the speaker system.
- When the unit is very close to a radio (AM/FM broadcasting), the radio could generate noise. Keep the distance as far away from the unit as possible.

## Adjusting the height of the main unit

Adjust the height by turning the insulator in a way that the main unit is horizontal.



---

---

# Operation

---

---

## Turning the power on

**1 Make all the connections, then plug the power cord into a power outlet.**

➔ *Connections* (p.10)

**2 Change the [POWER] switch to the [ON] side to turn on the power of the unit.**

This unit's indicators light and the power turns on.

---

---

## Turning the power off

**Change the [POWER] switch to the [OFF] side to turn off the power of the unit.**

This unit's power turns off.

---

---

## Playback

Prepare as follows.

- Place a record on the turntable.
- Remove the stylus cover and arm clumper.

**1 Change the [POWER] switch to the [ON] side to turn on the power of the unit.**

**2 Press the [START/STOP] button.**

The turntable rotates.

**3 Press the [RESET] button.**

The [RESET] indicator lights in yellow-green and the speed returns to the prescribed rpm (33 1/3 or 45 rpm).

**4 Pull up the lifter lever and move the tone arm onto the record.**

**5 Push down the lifter lever.**

The tone arm slowly descends and playback begins.

---

---

## Pausing playback

**Pull up the lifter lever.**

The stylus of the cartridge lifts away from the record.

- To resume playback, push down the lifter lever.

---

---

## Finishing playback

**1 Pull up the lifter lever to return the tone arm to the arm rest and then push down the lifter lever.**

**2 Press the [START/STOP] button.**

An electronic brake brings the turntable to a smooth stop.

**3 Change the [POWER] switch to the [OFF] side to turn off the power of the unit.**

Use the arm clumper to secure the tone arm.

To protect the stylus tip, attach the stylus cover.

---

---

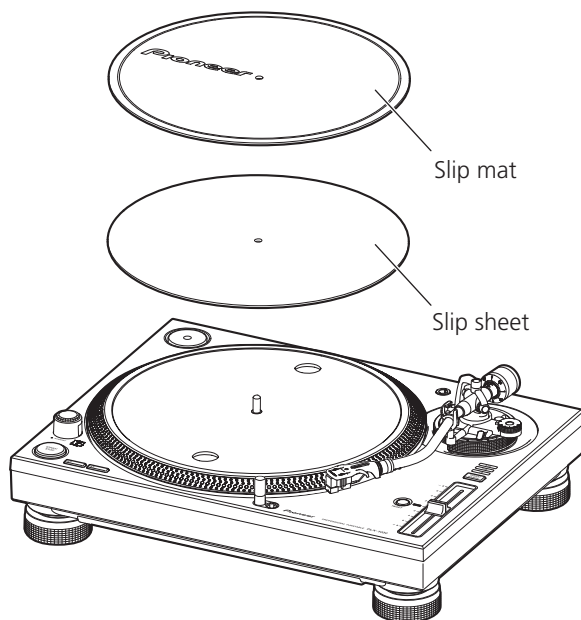
## About the slip mat and slip sheet

### Slip mat

If you use the mat instead of the turntable sheet, you can stop the record by hand during playing, or turn the turntable in reverse.

### Slip sheet

When the slip sheet is used under the slip mat, sliding of scratch becomes smooth.



---

---

## To play a standard EP record

Attach the EP record adapter to the center spindle and press the [45] button.

---

---

## Illuminating the stylus tip

When the stylus illuminator switch is pressed, the stylus illuminator lights in white and ascends to the position at which the stylus tip is illuminated.

- If it is not needed, press the stylus illuminator switch to lower it. The stylus illuminator switch goes off.

---

---

## Attaching the dust cover

When you are done using the unit, hold both sides of the dust cover and place from directly above.



## Adjusting the pitch

**1 Press the [RESET] button to turn off the [RESET] indicator.**

**2 Move the [TEMPO] slider forward or backward.**

Moving the slider forward increases the rotation speed and moving it backward decreases the rotation speed.

- The scale of the [TEMPO] slider is a rough value. Please use it as a guide.

**3 Press the [TEMPO RANGE] button.**

The [TEMPO] slider's adjustment range switches each time the button is pressed. The adjustment range indicator lights.

Setting value	Units of adjustment
±8	0.016 %
±16	0.032 %
±50	0.1 %

## Returning to the usual pitch

**Press the [RESET] button.**

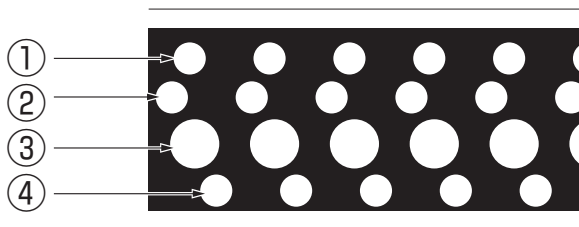
Pressing the [RESET] button turns on the [RESET] indicator. While the [RESET] indicator is on, the turntable turns at the specified rotation speed (33 1/3 rpm or 45 rpm) regardless of the position of the TEMPO slider.

## Detecting the pitch

Finer pitch can be detected by looking at the four rows of strobe patterns inscribed around the turntable.

- A strobe illuminator (blue LED light) is used to illuminate the strobe pattern of the unit. Always use the strobe illuminator when detecting pitch.

### Strobe pattern



- ① When strobe pattern looks stopped +7.2 % pitch change
- ② When strobe pattern looks stopped +3.3 % pitch change
- ③ When strobe pattern looks stopped Specified rotation speed (33 1/3 rpm or 45 rpm)
- ④ When strobe pattern looks stopped -3.3 % pitch change

---

---

# Additional information

---

---

## Troubleshooting

- Incorrect operation is often mistaken for trouble or malfunction. If you think that there is something wrong with this component, check the points below and the [FAQ] for the [PLX-1000] on the Pioneer DJ support site.  
<http://pioneerdj.com/support/>  
Sometimes the problem may lie in another component. Inspect the other components and electrical appliances being used. If the problem cannot be rectified, ask your nearest Pioneer authorized service center or your dealer to carry out repair work.
- This unit may not operate properly due to static electricity or other external influences. In this case, proper operation may be restored by turning the power off, waiting 1 minute, then turning the power back on.

Problem	Check	Remedy
The power is not turned on.	Is the power cord properly connected?	Properly connect the included power cord to a power outlet.
	Is the [POWER] switch for power supply set to [ON]?	Set the [POWER] switch for power supply to [ON].
No sound or small sound.	Are the audio cables properly connected?	Connect the audio cables properly.
	Are the terminals and plugs dirty?	Clean the terminals and plugs before making connections.
	Is the headshell attached properly?	Attach the headshell properly.
The left and right sound are reversed.	Are the left and right connections for each piece of equipment reversed?	Correctly connect the audio cable and the lead wires of headshell part.
There is a low hum sound (humming or buzzing sound) during playback.	Is there an electric device such as a fluorescent lamp or its power cord near the connection cord?	Place the power cord of the fluorescent lamp or other device as far away as possible.
	Is the ground wire of the turntable system disconnected?	Connect the ground wire properly.
The stylus tip does not come down on the record.	Is the stylus pressure adjusted properly?	Match the balance weight to the appropriate stylus pressure value for your cartridge.
	Is the arm horizontally balanced?	Turn the balance weight until the tone arm becomes horizontal state.
Stylus jumping occurs.	Is the stylus pressure adjusted properly?	Match the balance weight to the appropriate stylus pressure value for your cartridge.
	Is the record warped or does it have scratches?	Check the condition of the record.
	Does the stylus tip have a lot of dust on it?	Remove the shell with cartridge and use a soft tip brush or writing brush to carefully remove dust, etc. from the stylus tip.
	Is anti-skating adjusted correctly?	Adjust anti-skating correctly.
	Is the arm height adjusted correctly?	Adjust the arm height correctly.
The arm stops along the way and does not go ahead.	Does the record have scratches?	Check the condition of the record.
	Is the arm coming into contact with something?	Check around the arm. If there is an obstacle, remove it.
Sound volume is low or loud.	Is the connection to the amplifier appropriate for the cartridge type (output)?	Connect the connection cables properly.

---

---

## Cautions on use

---

### About condensation

Water droplets (condensation) may form inside the unit (on operating parts and lenses) in the winter, for example, if the unit is moved from a cold place into a warm room or if the temperature in the room in which the unit is installed rises suddenly (through heating, etc.). The unit will not operate properly and will not be playable with condensation inside. Let the unit stand for 1 to 2 hours at room temperature (though this time depends on the conditions of the condensation) without turning on the power. The water droplets will evaporate and the unit will become playable. Condensation can occur in the summer as well if the unit is exposed to the direct wind from an air-conditioner, etc. If this happens, move the unit to a different location.

### When transporting the unit to another location

Use the original packing materials to pack the unit.  
If the original packing materials are not available, be sure to perform the following.

- Detach the turntable sheet and turntable and pack carefully.
- Detach the headshell and balance weight from the arm and pack carefully.
- Use the arm clamper to secure the tone arm and use tape to secure it so that it does not move.
- Wrap the main unit in a blanket or soft paper so that it will not be damaged.

---

---

## Maintenance of each part

---

When attaching and detaching the headshell, turn off the power of the amplifier.

If you attempt to do so while the volume is loud, the speaker could be damaged.

- Remove the shell with cartridge and use a soft tip brush or writing brush to carefully remove dust, etc. from the stylus tip.
- Use a good quality record cleaner to clean records.
- Use a soft cloth or something similar to clean the headshell terminal and then reattach it to the tone arm.

---

### Cleaning the dust cover, etc.

Use a soft cloth to clean the dust cover and cabinet

- Do not clean the dust cover while playing. Static electricity could cause the tone arm to be pulled by the dust cover.

---

---

## About trademarks and registered trademarks

- Pioneer is a registered trademark of PIONEER CORPORATION.  
The names of companies and products mentioned herein are the trademarks of their respective owners.

## Specifications

Power requirements .....	AC 110 V to 120 V or 220 V to 240 V, 50 Hz/60 Hz
Power consumption.....	9 W
Main unit weight .....	14.6 kg
Max. external dimensions .....	453 mm (W) × 159 mm (H) × 353 mm (D)
Tolerable operating temperature .....	+5 °C to +35 °C
Tolerable operating humidity .....	5 % to 85 % (no condensation)

### Turntable part

Drive method.....	Servo type direct drive
Motor .....	3-phase brushless DC motor
Braking system .....	Electronic brake
Rotation speed .....	33 1/3 rpm, 45 rpm
Rotation speed adjustment range .....	±8 %, ±16 %, ±50 %
Wow and flutter.....	0.01 % or less WRMS
Measured by obtaining signal from built-in frequency generator of motor assembly.	
S/N ratio.....	70 dB (DIN-B)
Turntable.....	Aluminum die-casting Diameter: 332 mm
Starting torque .....	4.5 kg-cm or more
Start time.....	0.3 seconds (at 33 1/3 rpm)

### Tone arm part

Arm type .....	Universal type S-shape tone arm, gimbal-supported type bearing structure, static balance type
Effective length.....	230 mm
Overhang .....	15 mm
Tracking error.....	Within 3°
Arm height adjustment range.....	6 mm
Stylus pressure variable range.....	0 g to 4.0 g (1 scale 0.1 g)
Proper cartridge weight.....	3.5 g to 13 g (single cartridge)
When shell weight is used.....	3.5 g to 6.5 g
When only balance weight is used .....	6.0 g to 10 g
When sub weight is used .....	9.5 g to 13 g

— The specifications and design of this product are subject to change without notice.

— © 2014 PIONEER CORPORATION. All rights reserved.

Nous vous remercions d'avoir acquis un produit Pioneer. Veuillez lire attentivement ce mode d'emploi afin de connaître la manière d'utiliser l'appareil comme il convient. Cela fait, conservez le mode d'emploi de façon à pouvoir vous y référer en cas de nécessité.

Dans certains pays ou certaines régions, la forme de la fiche et de la prise d'alimentation est un peu différente de ce qui est montré dans les illustrations. Toutefois, l'appareil se raccorde et fonctionne de la même façon.



Si vous souhaitez vous débarrasser de cet appareil, ne le mettez pas à la poubelle avec vos ordures ménagères. Il existe un système de collecte séparé pour les appareils électroniques usagés, qui doivent être récupérés, traités et recyclés conformément à la législation.

Les habitants des états membres de l'UE, de Suisse et de Norvège peuvent retourner gratuitement leurs appareils électroniques usagés aux centres de collecte agréés ou à un détaillant (si vous rachetez un appareil similaire neuf).

Dans les pays qui ne sont pas mentionnés ci-dessus, veuillez contacter les autorités locales pour savoir comment vous pouvez vous débarrasser de vos appareils.

Vous garantirez ainsi que les appareils dont vous vous débarrassez sont correctement récupérés, traités et recyclés et préviendrez de cette façon les impacts néfastes possibles sur l'environnement et la santé humaine.

K058b\_A1\_Fr

## AVERTISSEMENT

Cet appareil n'est pas étanche. Pour éviter les risques d'incendie et de décharge électrique, ne placez près de lui un récipient rempli d'eau, tel qu'un vase ou un pot de fleurs, et ne l'exposez pas à des gouttes d'eau, des éclaboussures, de la pluie ou de l'humidité.

D3-4-2-1-3\_A1\_Fr

## AVERTISSEMENT

Pour éviter les risques d'incendie, ne placez aucune flamme nue (telle qu'une bougie allumée) sur l'appareil.

D3-4-2-1-7a\_A1\_Fr

## Milieu de fonctionnement

Température et humidité du milieu de fonctionnement : De +5 °C à +35 °C (de +41 °F à +95 °F) ; Humidité relative inférieure à 85 % (orifices de ventilation non obstrués)

N'installez pas l'appareil dans un endroit mal ventilé ou un lieu soumis à une forte humidité ou en plein soleil (ou à une forte lumière artificielle).

D3-4-2-1-7c\*\_A1\_Fr

## AVERTISSEMENT

Cet appareil est muni d'une fiche de mise à la terre (masse) à trois fils. Comme la fiche présente une troisième broche (de terre), elle ne peut se brancher que sur une prise de courant, prévue pour une mise à la terre. Si vous n'arrivez pas à insérer la fiche dans la prise de courant, contactez un électricien qualifié pour faire remplacer la prise par une qui soit mise à la terre. N'annulez pas la fonction de sécurité que procure cette fiche de mise à la terre.

D3-4-2-1-6\_A1\_Fr

## PRÉCAUTION DE VENTILATION

Lors de l'installation de l'appareil, veillez à laisser un espace suffisant autour de ses parois de manière à améliorer la dissipation de chaleur (au moins 15 cm sur le dessus, 5 cm à l'arrière et 5 cm de chaque côté).

D3-4-2-1-7d\*\_A1\_Fr

## ATTENTION

L'interrupteur **POWER** de cet appareil ne coupe pas complètement celui-ci de sa prise secteur. Comme le cordon d'alimentation fait office de dispositif de déconnexion du secteur, il devra être débranché au niveau de la prise secteur pour que l'appareil soit complètement hors tension. Par conséquent, veillez à installer l'appareil de telle manière que son cordon d'alimentation puisse être facilement débranché de la prise secteur en cas d'accident. Pour éviter tout risque d'incendie, le cordon d'alimentation sera débranché au niveau de la prise secteur si vous prévoyez une période prolongée de non utilisation (par exemple avant un départ en vacances).

D3-4-2-2-2a\*\_A1\_Fr

## ATTENTION

POUR ÉVITER TOUT RISQUE D'ÉLECTROCUTION, NE PAS ENLEVER LE COUVERCLE (NI LE PANNEAU ARRIÈRE). AUCUNE PIÈCE RÉPARABLE PAR L'UTILISATEUR NE SE TROUVE À L'INTÉRIEUR. CONFIER TOUT ENTRETIEN À UN PERSONNEL QUALIFIÉ UNIQUEMENT.

D3-4-2-1-1\_B1\_Fr

## NOTE IMPORTANTE SUR LE CABLE D'ALIMENTATION

Tenir le câble d'alimentation par la fiche. Ne pas débrancher la prise en tirant sur le câble et ne pas toucher le câble avec les mains mouillées. Cela risque de provoquer un court-circuit ou un choc électrique. Ne pas poser l'appareil ou un meuble sur le câble. Ne pas pincer le câble. Ne pas faire de noeud avec le câble ou l'attacher à d'autres câbles. Les câbles d'alimentation doivent être posés de façon à ne pas être écrasés. Un câble abîmé peut provoquer un risque d'incendie ou un choc électrique. Vérifier le câble d'alimentation de temps en temps. Contacter le service après-vente PIONEER le plus proche ou le revendeur pour un remplacement.

S002\*\_A1\_Fr

## AVERTISSEMENT

Gardez les pièces de petite taille hors de la portée des bébés et des enfants. En cas d'ingestion accidentelle, veuillez contacter immédiatement un médecin.

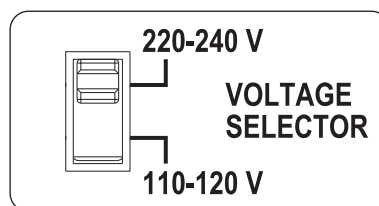
D41-6-4\_A1\_Fr

## Sélecteur de tension

Le sélecteur de tension se trouve sur le panneau supérieur des modèles multi-tension.

**Le réglage d'usine du sélecteur de tension est 220-240 V. Réglez-le sur la tension adaptée à votre pays ou région.**

Avant de changer la tension, débranchez le cordon d'alimentation secteur. Utilisez un tournevis de taille moyenne pour changer le sélecteur de tension.



D3-4-2-1-5\*\_A2\_Fr

# Sommaire

## Comment lire ce manuel

Dans ce manuel, les noms des touches et des prises de l'appareil principal apparaissent entre crochets ([ ]).

Exemples :

- Appuyez sur la touche **[START/STOP]**.
- Si ce produit est raccordé à un préamplificateur principal ou à un composant qui ne possède pas de prise **[PHONO]**, il n'est pas possible d'obtenir un volume et une qualité sonore suffisants. Dans ce cas, utilisez l'égaliseur PHONO.

## 01 Informations préliminaires

Caractéristiques.....	3
Contenu du carton d'emballage .....	3

## 02 Avant de commencer

À propos de la cellule .....	4
Montage.....	4

## 03 Noms et fonctions des éléments

Panneau supérieur.....	6
Panneau arrière .....	7

## 04 Réglage

Réglage de l'équilibre du bras de lecture.....	8
Réglage de la pression de la pointe de lecture .....	8
Réglage de l'antipatinage .....	9
Réglage de la hauteur du système de levage du bras.....	9
Réglage de la hauteur du bras .....	9

## 05 Raccordements

Descriptions des prises.....	10
Style de base .....	10
Emplacement du lecteur .....	11

## 06 Fonctionnement

Mise sous tension.....	12
Mise hors tension .....	12
Lecture .....	12
Pause de la lecture .....	12
Fin de la lecture.....	12
Réglage du pitch.....	13

## 07 Informations supplémentaires

En cas de panne .....	14
Précautions d'emploi .....	14
Entretien de chaque élément .....	15
À propos des marques commerciales et des marques déposées.....	15
Spécifications.....	15

# Informations préliminaires

## Caractéristiques

Cet appareil est une platine professionnelle qui dispose de fonctions, durabilité, maniabilité et qualité sonore adaptées à une grande variété d'occasions allant de l'écoute chez soi à l'utilisation en discothèques ou clubs.

## Système à entraînement direct permettant d'obtenir un couple élevé

L'appareil tourne à une vitesse constante avec une fluctuation de vitesse de 0,1 % maximum, un couple de démarrage de 4,5 kg-cm minimum et un temps de démarrage de 0,3 secondes (à 33 1/3 tr/min).

## Conception axée sur la haute qualité sonore

- Pour la prise RCA, nous avons opté pour un composant plaqué or fait du même produit de coupe que le lecteur TAD, qui est notre marque phare. Une connexion stable transmet directement le signal PHONO.
- Les effets de vibrations externes sont supprimés grâce à l'utilisation d'un matériau de suppression des vibrations entre le boîtier supérieur et inférieur.

## Contrôle du tempo très précis, réglable sur 3 niveaux

- La largeur variable du tempo peut être réglée sur  $\pm 8\%$ ,  $\pm 16\%$  et  $\pm 50\%$ , ce qui permet une lecture très flexible.
- L'appui sur la touche **[RESET]** remet instantanément le tempo sur une rotation constante de  $\pm 0\%$ .

## Cordon d'alimentation et câbles audio amovibles

- Les câbles ne sont pas des obstacles lorsque l'appareil principal est déplacé, empêchant ainsi des problèmes de déconnexion.
- En remplaçant le câble audio, il est possible de personnaliser l'appareil afin d'obtenir le son que vous préférez.

## Contenu du carton d'emballage

- Plateau
- Couvre-plateau
- Feutrine
- Sous-feutrine
- Capot anti-poussière
- Adaptateur pour disque 45 tours
- Contrepoids d'équilibrage
- Contrepoids supplémentaire
- Porte-cellule
- Contrepoids de porte-cellule
- Cordon d'alimentation
- Câble audio
- Fil de terre
- Garantie (pour certaines régions)<sup>[1]</sup>
- Mode d'emploi (ce document)

[1] La garantie incluse est destinée à la région européenne.

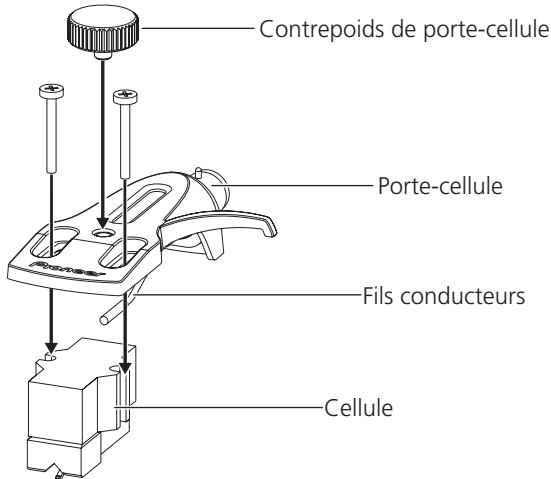
# Avant de commencer

## À propos de la cellule

- La cellule n'est pas fournie.
- Reportez-vous au mode d'emploi de votre cellule.

### Fixez la cellule sur le porte-cellule.

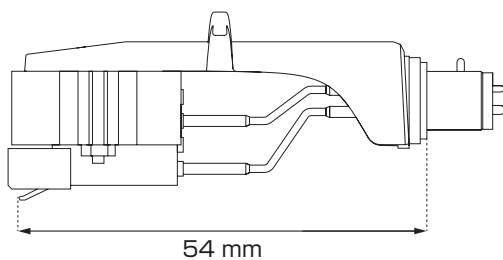
Les fils conducteurs du porte-cellule sont codés par couleur. Utilisez des pinces ou un outil similaire pour connecter correctement les fils à la borne correspondante de la cellule conformément à l'indication sur la cellule.



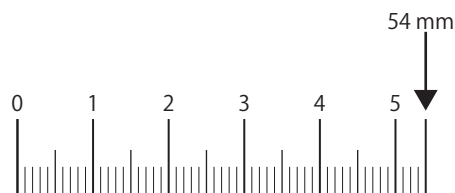
- Lors de l'utilisation d'une cellule entre 3,5 g et 6,5 g, utilisez le contreponds de porte-cellule fourni.

## Réglage du surplomb

Utilisez l'échelle de réglage du surplomb suivante pour régler la position à l'aide de la vis de fixation de la cellule, de sorte que l'extrémité de la pointe de lecture soit à une position de 54 mm de la fixation du bras de lecture.



### Échelle de réglage du surplomb

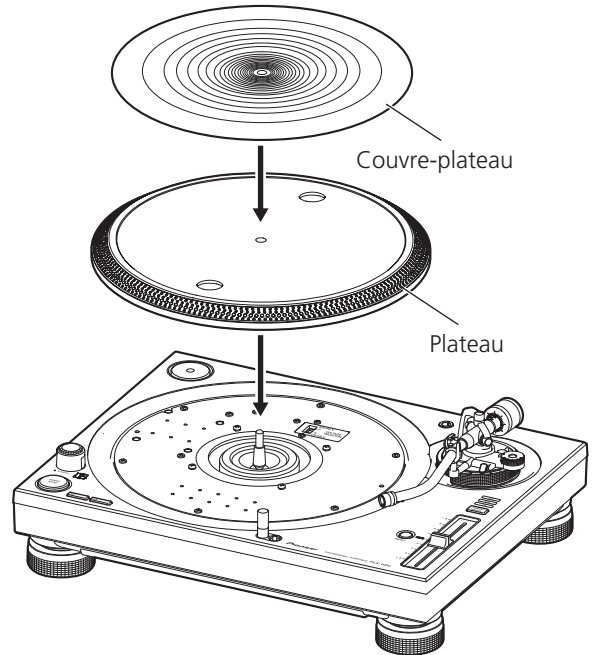


# Montage

## 1 Installez le plateau et le couvre-plateau.

Positionnez le plateau sur l'axe central et placez le couvre-plateau sur le dessus du plateau.

- Veillez à ne pas heurter le plateau sur l'appareil principal ou à ne pas le laisser tomber.
- Assurez-vous qu'il n'y a pas de poudre de fer ou autres poussières sur l'aimant à l'arrière du plateau.
- Ne touchez pas la vis de fixation de l'aimant du plateau (3 emplacements). Si la position de la vis de fixation est modifiée, la performance nominale ne peut pas être garantie.

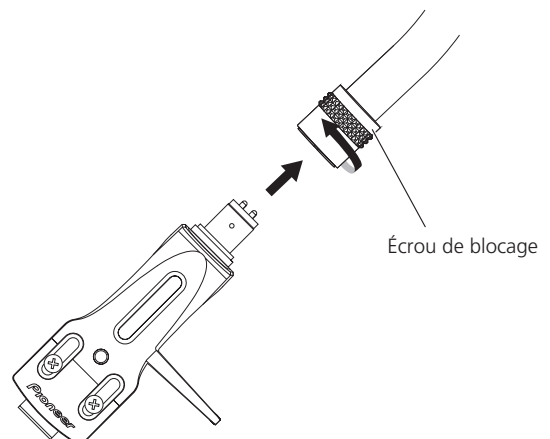


## 2 Fixez la cellule sur le porte-cellule.

Les fils conducteurs du porte-cellule sont codés par couleur. Utilisez des pinces ou un outil similaire pour connecter correctement les fils à la borne correspondante de la cellule conformément à l'indication sur la cellule.

## 3 Fixez le porte-cellule.

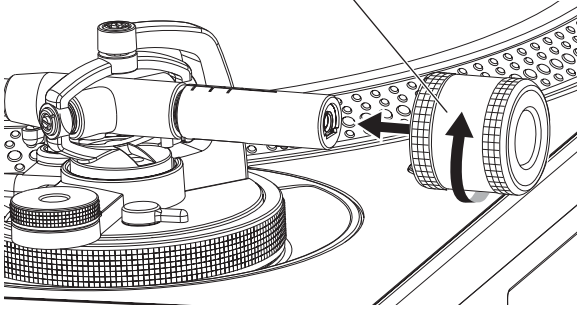
Insérez le porte-cellule avec la cellule installée dans le bras de lecture. Ensuite, serrez l'écrou de blocage tout en maintenant le porte-cellule à l'horizontale.



#### 4 Fixez le contrepois d'équilibrage.

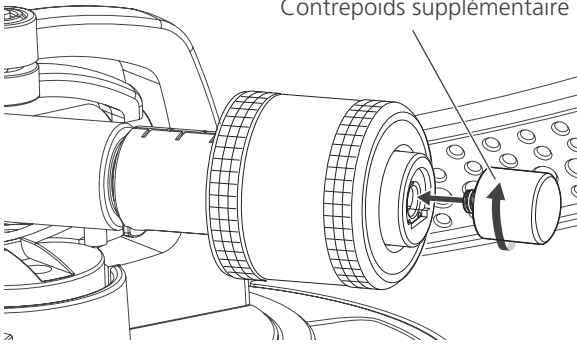
Fixez le contrepois d'équilibrage sur l'arbre arrière du bras de lecture.

Contrepoids d'équilibrage



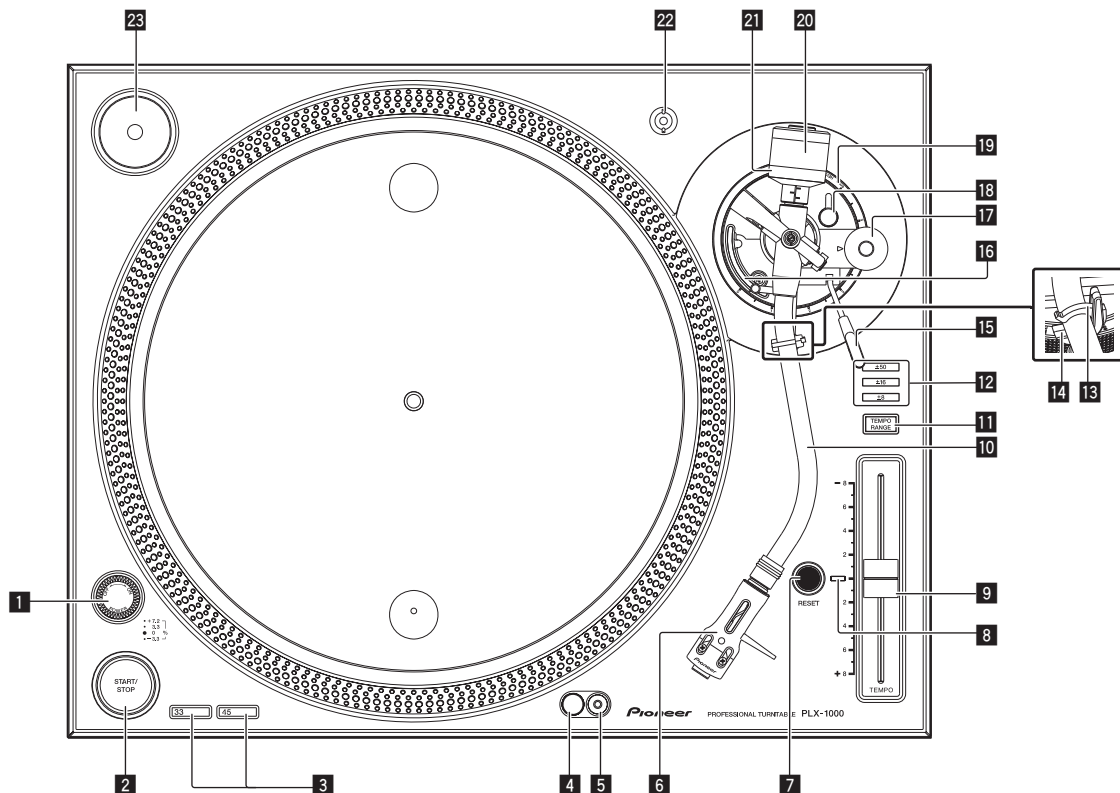
- Lors de l'utilisation d'une cellule entre 9,5 g et 13 g, fixez le contrepois supplémentaire sur l'arbre arrière du bras de lecture.

Contrepoids supplémentaire



# Noms et fonctions des éléments

## Panneau supérieur



### 1 Commutateur POWER

En tournant l'interrupteur sur [ON], l'appareil est mis sous tension et l'éclairage stroboscopique sur le côté s'allume.

↪ Lecture (p.12)

### 2 Touche START/STOP

L'appui sur cette touche démarre ou arrête la rotation du plateau.

↪ Lecture (p.12)

### 3 Touche de changement de vitesse

Change la vitesse en fonction du disque à lire.

- Pour un disque 33 1/3 tours, appuyez sur la touche [33].
- Pour un disque 45 tours, appuyez sur la touche [45].

↪ Lecture (p.12)

### 4 Dispositif d'éclairage de la pointe de lecture

S'allume pour éclairer l'extrémité de la pointe de lecture.

↪ Lecture (p.12)

### 5 Interrupteur du dispositif d'éclairage de la pointe de lecture

Le dispositif d'éclairage de la pointe de lecture s'allume en blanc et monte jusqu'à la position permettant d'éclairer l'extrémité de la pointe de lecture.

↪ Lecture (p.12)

### 6 Porte-cellule

Utilisé avec une cellule installée.

### 7 Touche RESET

### 8 Indicateur RESET

L'indicateur [RESET] s'allume lors de l'appui sur la touche [RESET]. Pendant que l'indicateur [RESET] est allumé, le plateau tourne à la vitesse de rotation spécifiée (33 1/3 tr/min ou 45 tr/min) quelle que soit la position du curseur TEMPO.

↪ Réglage du pitch (p.13)

### 9 Curseur TEMPO

Vous pouvez faire glisser le curseur d'avant en arrière pour effectuer un réglage précis de la vitesse de rotation.

↪ Réglage du pitch (p.13)

### 10 Bras de lecture

↪ Réglage (p.8)

### 11 Touche TEMPO RANGE

À chaque appui sur cette touche, la plage du tempo bascule sur  $\pm 8\%$ ,  $\pm 16\%$  ou  $\pm 50\%$ .

↪ Réglage du pitch (p.13)

### 12 Indicateur TEMPO RANGE

La plage du tempo définie s'allume en bleu.

### 13 Serre-bras

Maintient le bras de lecture en place.

### 14 Repose-bras

Sert de support pour le bras de lecture.

### 15 Levier de levage

Le bras de lecture monte lorsque le levier est tiré vers le haut. Le bras de lecture descend lorsque le levier est poussé vers le bas.



### 16 Système de levage du bras

Ce dispositif est utilisé pour déplacer le bras de lecture de haut en bas. Il est commandé par le levier de levage.

### 17 Molette ANTI SKATING

Quand un disque est lu, une force attire l'extrémité de la pointe de lecture vers l'intérieur du disque. En faisant correspondre cette molette à la valeur de la pression de la pointe de lecture, cette force est supprimée.

➔ *Réglage de l'antipatinage* (p.9)

### 18 Verrouillage HEIGHT ADJUST

Verrouille la hauteur réglée du bras.

➔ *Réglage de la hauteur du bras* (p.9)

### 19 Molette HEIGHT ADJUST

Permet de régler la hauteur du bras de lecture.

➔ *Réglage de la hauteur du bras* (p.9)

### 20 Contrepoids d'équilibrage

Permet d'équilibrer le bras de lecture et de régler la pression de la pointe de lecture.

➔ *Réglage* (p.8)

### 21 Bague de réglage de la pression de la pointe de lecture

Permet de faire correspondre la pression de la pointe de lecture appropriée de la cellule.

➔ *Réglage de la pression de la pointe de lecture* (p.8)

### 22 Emplacement pour porte-cellule

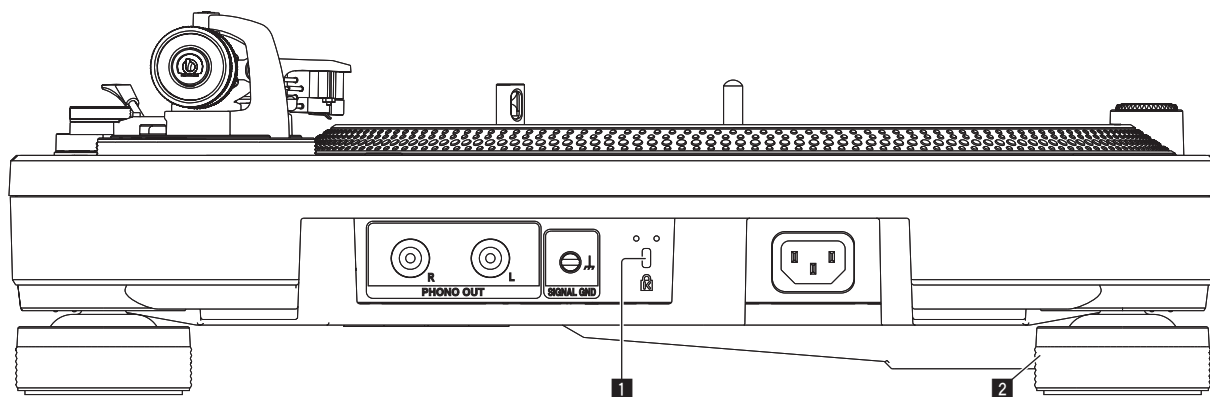
Permet de poser un porte-cellule.

### 23 Adaptateur pour disque 45 tours

Permet de lire des disques 45 tours standard.

➔ *Pour la lecture de disques 45 tours standard* (p.12)

## Panneau arrière



Pour les prises utilisées pour les raccordements, reportez-vous à la page 10, *Descriptions des prises*.

### 1 Fente de sécurité Kensington

### 2 Isolant

Supprime l'effet des vibrations extérieures. Vous pouvez régler la hauteur de la platine en tournant les pieds isolants.

➔ *Réglage de la hauteur de l'appareil principal* (p.11)

# Réglage

## Réglage de l'équilibre du bras de lecture

- Étant donné que les poids de la cellule et du porte-cellule diffèrent selon le produit, l'équilibre du bras de lecture doit être réglé.

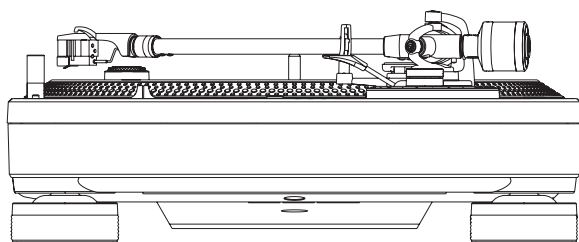
Préparez comme suit.

- Retirez le couvercle de la pointe de lecture et le serre-bras tout en veillant à ne pas toucher l'extrémité de la pointe de lecture.
- Poussez le levier de levage vers le bas.
- Réglez la molette [ANTI SKATING] sur "0".

### Éloignez le bras de lecture du repose-bras et réglez l'équilibre pour qu'il soit horizontal.

Tournez le contrepoids d'équilibrage jusqu'à ce que le bras de lecture devienne presque horizontal.

- Lors du déplacement du bras de lecture, assurez-vous que l'extrémité de la pointe de lecture ne touche pas directement le plateau, etc.



## Réglage de la pression de la pointe de lecture

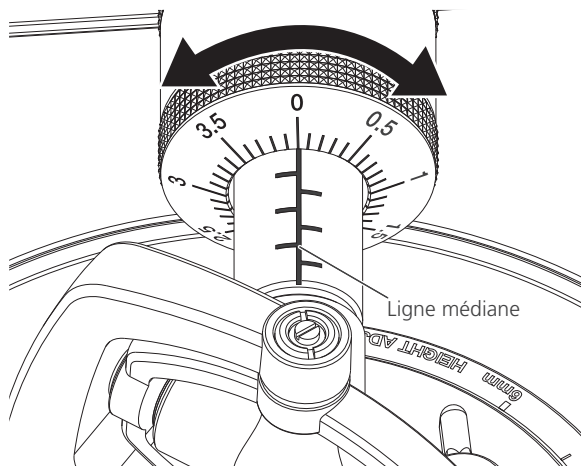
- Afin d'éviter les sauts de la pointe de lecture ou la distorsion du son, la pression de la pointe de lecture est réglée sur la valeur de la pression de la pointe de lecture appropriée qui est déterminée pour chaque cellule.

Préparez comme suit.

- Ramenez le bras de lecture sur le repose-bras et fixez-le avec le serre-bras.

### 1 Faites correspondre le "0" sur la bague de réglage de la pression de la pointe de lecture avec la ligne médiane de l'arbre arrière du bras de lecture.

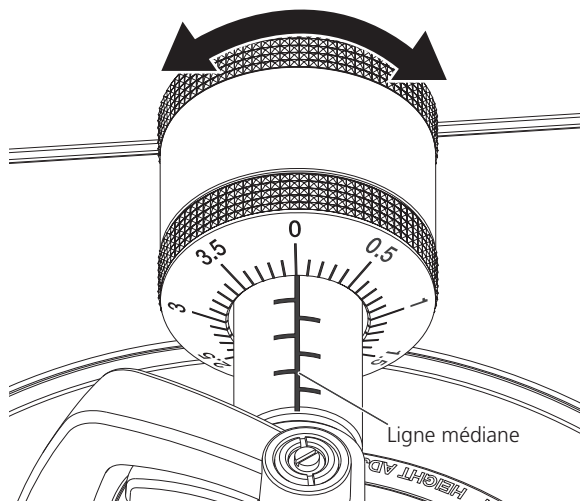
Tournez uniquement la bague de réglage de la pression de la pointe de lecture de sorte que le chiffre "0" soit sur la ligne médiane noire de l'arbre arrière du bras de lecture tout en maintenant le contrepoids d'équilibrage avec votre doigt pour l'empêcher de bouger.



### 2 Réglez la pression de la pointe de lecture.

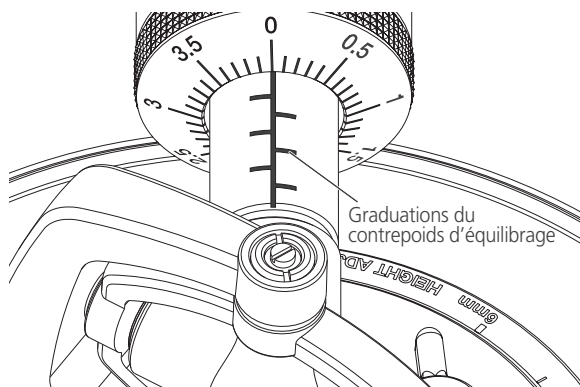
Tournez le contrepoids d'équilibrage pour faire le réglage sur la valeur de la pression de la pointe de lecture appropriée pour votre cellule.

- Lorsque vous tournez le contrepoids d'équilibrage, la bague de réglage de la pression de la pointe de lecture tourne en même temps. Tout en observant la bague de réglage, réglez la pression de la pointe de lecture à la valeur appropriée.



## Utilisation des graduations sur la fixation du contrepoids d'équilibrage

Il est recommandé de se rappeler de la position de la graduation du contrepoids d'équilibrage de votre porte-cellule avec la cellule installée en car vous pouvez régler la pression de la pointe de lecture appropriée en réglant simplement la position définie de la graduation du contrepoids d'équilibrage sans avoir besoin de régler l'équilibre horizontal du bras de lecture.



1 Fixez votre porte-cellule avec la cellule installée sur le bras de lecture.

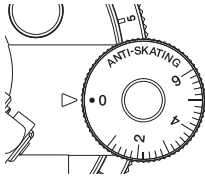
2 Réglez la position de la graduation de la fixation du contrepoids d'équilibrage en utilisant la valeur définie du contrepoids d'équilibrage.

## Réglage de l'antipatinage

Ce réglage permet d'empêcher la pointe de lecture de sauter.

Faites correspondre à la même position de la graduation que la valeur de la pression de la pointe de lecture.

Tournez la molette [ANTI SKATING] pour faire correspondre la ligne de référence avec la même valeur de la pression de la pointe de lecture de la cellule.



## Lors du scratching

Afin d'éviter les sauts de la pointe de lecture, réglez la position de la graduation en fonction de l'utilisation.

## Réglage de la hauteur du système de levage du bras

Si nécessaire, effectuez le réglage pour qu'il corresponde à la cellule utilisée.

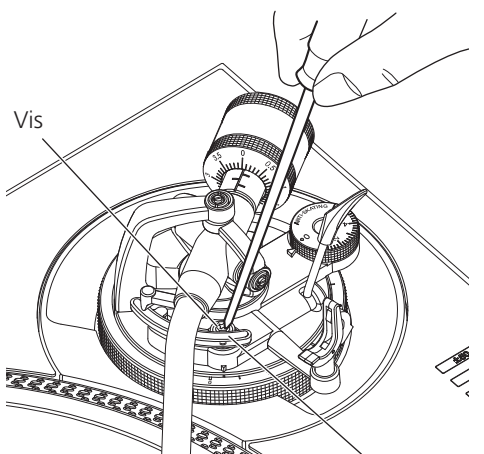
Préparez comme suit.

- Placez un disque sur le couvre-plateau.
- Retirez le couvercle de la pointe de lecture et le serre-bras tout en veillant à ne pas toucher l'extrémité de la pointe de lecture.
- Tirez le levier de levage vers le haut et déplacez le bras de lecture sur le disque.

Réglez la hauteur en tournant la vis lorsque le système de levage du bras est abaissé.

- Tourner dans le sens horaire réduit la distance entre le disque et la pointe de lecture.
- Tourner dans le sens antihoraire agrandit la distance entre le disque et la pointe de lecture.

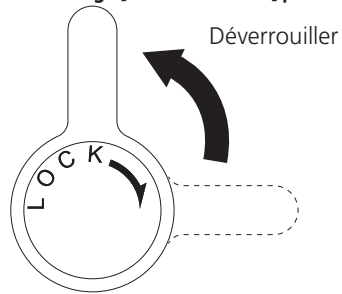
La hauteur du système de levage du bras (la distance entre le disque et la pointe de lecture lorsque le levier de levage est tiré vers le haut) est réglé en usine dans une plage entre environ 8 mm et 13 mm.



Système de levage du bras

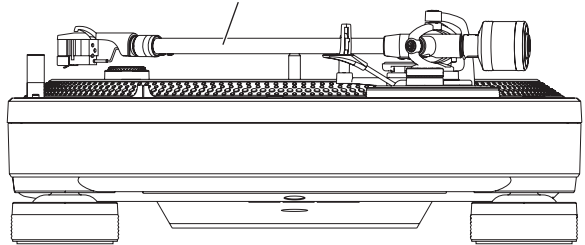
## Réglage de la hauteur du bras

1 Tournez le verrouillage [HEIGHT ADJUST] pour le déverrouiller.

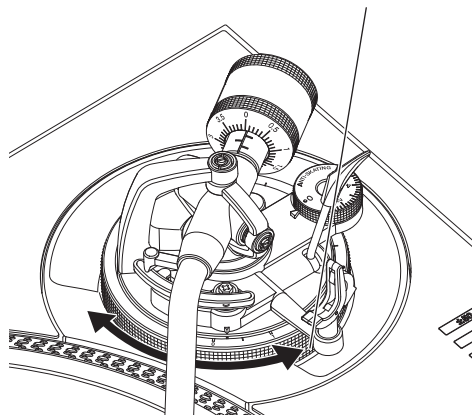


2 Poussez le levier de levage vers le bas et posez la pointe de lecture sur le disque, puis réglez la molette [HEIGHT ADJUST] de sorte que le bras de lecture et le disque soient parallèles.

Réglez pour que le bras de lecture devienne horizontal



Molette [HEIGHT ADJUST]



Reportez-vous au tableau suivant pour régler la molette [HEIGHT ADJUST] pour faire correspondre à la hauteur de la taille de votre cellule.

Hauteur (H) de la cellule (mm)	Position de la graduation de la molette [HEIGHT ADJUST] scale position	
	Hauteur (H) de la cellule (mm)	Position de la graduation de la molette [HEIGHT ADJUST] scale position
19		0
20		1
21		2
22		3
23		4
24		5
25		6

3 Tournez le verrouillage [HEIGHT ADJUST] pour fixer la hauteur du bras.

Une fois la hauteur du bras réglée, il faut toujours tourner le verrouillage [HEIGHT ADJUST] pour fixer le bras.

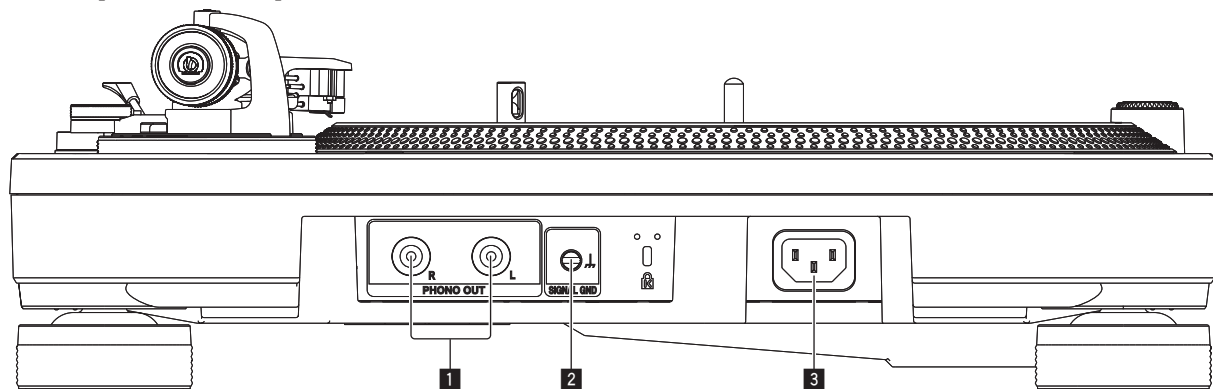
## Lors du scratching

Afin d'éviter les sauts de la pointe de lecture, utilisez la molette [HEIGHT ADJUST] pour régler la hauteur du bras en fonction de l'utilisation.

# Raccordements

- Veillez à toujours éteindre les appareils et à débrancher le cordon d'alimentation de la prise secteur avant de raccorder un appareil ou de changer les liaisons.
- Reportez-vous au mode d'emploi de l'appareil devant être raccordé.
- Lorsque tous les appareils ont été raccordés, vous pouvez brancher le cordon d'alimentation.

## Descriptions des prises



### 1 Prises PHONO OUT

Pour raccorder les câbles audio (fournis).

### 2 Prise SIGNAL GND

Raccordez le fil de terre (accessoire). Ceci permet de réduire le bruit lorsqu'un lecteur analogique est raccordé.

### 3 AC IN

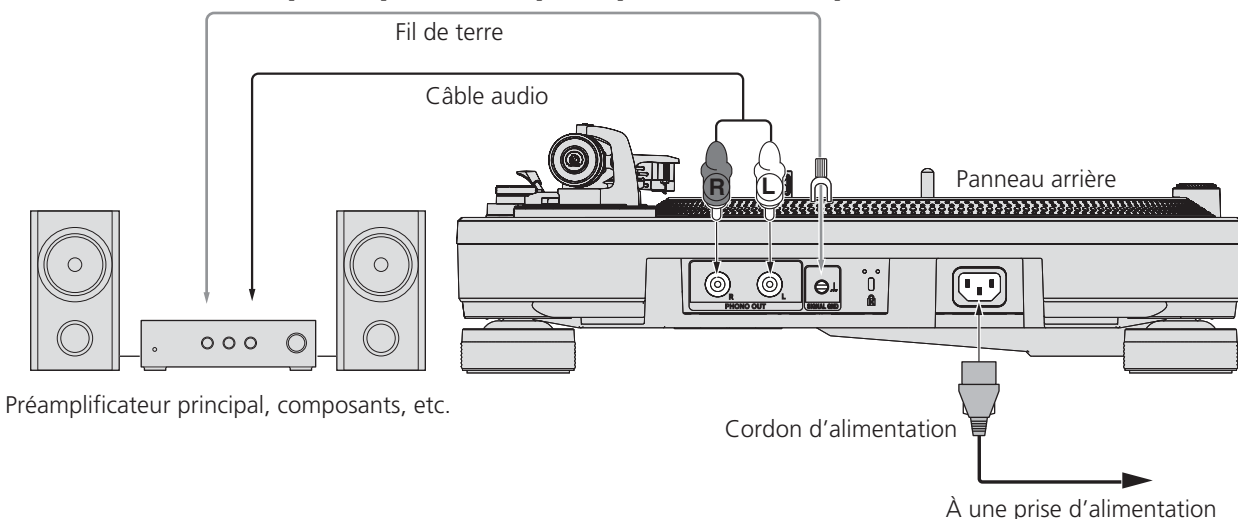
À relier à une prise d'alimentation avec le cordon d'alimentation fourni. Avant de brancher le cordon d'alimentation, assurez-vous que tous les autres appareils sont raccordés.

- Veillez à utiliser le cordon d'alimentation fourni.

## Style de base

- À relier à une prise d'alimentation avec le cordon d'alimentation fourni. Avant de brancher le cordon d'alimentation, assurez-vous que tous les autres appareils sont raccordés.
- Reportez-vous au mode d'emploi de l'appareil devant être raccordé.

## Raccordement à un préamplificateur principal et à un composant



Préamplificateur principal, composants, etc.

Cordon d'alimentation

À une prise d'alimentation

### 1 Raccordez le câble audio et le fil de terre à la prise d'entrée [PHONO] du préamplificateur principal ou d'un autre composant.

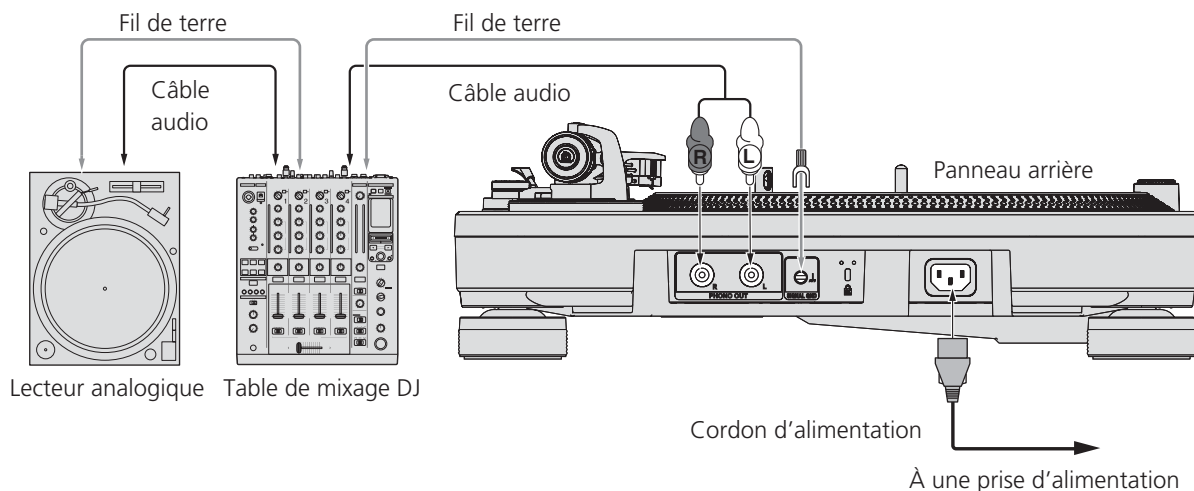
- Si ce produit est raccordé à un préamplificateur principal ou à un composant qui ne possède pas de prise [PHONO], il n'est pas possible d'obtenir un volume et une qualité sonore suffisants. Dans ce cas, utilisez l'égaliseur PHONO.
- Assurez-vous de raccorder le fil de terre. Si l'appareil n'est pas correctement mis à la terre, un bourdonnement électrique (bourdonnement) se produit.

### 2 Branchez le cordon d'alimentation.

À relier à une prise d'alimentation avec le cordon d'alimentation fourni. Avant de brancher le cordon d'alimentation, assurez-vous que tous les autres appareils sont raccordés.

- Avant de raccorder à la prise (prise secteur) de l'équipement raccordé, vérifiez la puissance affichée sur la prise. (Cet appareil consomme 9 W de puissance.)

## Raccordement à une table de mixage DJ



### 1 Raccordez le câble audio et le fil de terre à la prise d'entrée [PHONO] de la table de mixage DJ.

- Si ce produit est raccordé à une table de mixage DJ qui ne possède pas de prise d'entrée [PHONO], il n'est pas possible d'obtenir un volume et une qualité sonore suffisants.
- Assurez-vous de raccorder le fil de terre. Si l'appareil n'est pas correctement mis à la terre, un bourdonnement électrique (bourdonnement) se produit.

### 2 Branchez le cordon d'alimentation.

À relier à une prise d'alimentation avec le cordon d'alimentation fourni. Avant de brancher le cordon d'alimentation, assurez-vous que tous les autres appareils sont raccordés.

- Avant de raccorder à la prise (prise secteur) de l'équipement raccordé, vérifiez la puissance affichée sur la prise. (Cet appareil consomme 9 W de puissance.)

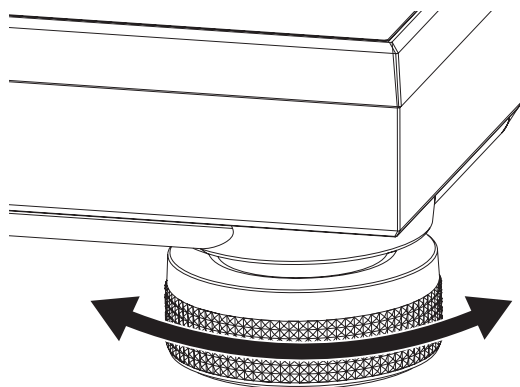
## Emplacement du lecteur

Placez l'appareil sur une surface plane qui n'est pas soumise aux vibrations externes.

- Dans la mesure du possible, gardez l'appareil éloigné du système de haut-parleurs.
- Lorsque l'appareil est très proche d'une radio (radiodiffusion AM/FM), la radio pourrait générer du bruit. Gardez l'appareil le plus éloigné possible.

## Réglage de la hauteur de l'appareil principal

Régalez la hauteur en tournant les pieds isolants de sorte que l'appareil principal soit horizontal.



---

---

# Fonctionnement

---

---

## Mise sous tension

**1** Après avoir effectué tous les raccordements, branchez le cordon d'alimentation sur une prise murale.

➔ Raccordements (p.10)

**2** Basculez l'interrupteur [POWER] sur [ON] pour mettre l'appareil sous tension.

Les indicateurs de cet appareil s'allument et l'appareil se met sous tension.

---

---

## Mise hors tension

Basculez l'interrupteur [POWER] sur [OFF] pour mettre l'appareil hors tension.

Cet appareil se met hors tension.

---

---

## Lecture

Préparez comme suit.

- Placez un disque sur le plateau.
- Retirez le couvercle de la pointe de lecture et le serre-bras.

**1** Basculez l'interrupteur [POWER] sur [ON] pour mettre l'appareil sous tension.

**2** Appuyez sur la touche [START/STOP].

Le plateau tourne.

**3** Appuyez sur la touche [RESET].

L'indicateur [RESET] s'allume en jaune-vert et la vitesse revient à la vitesse de rotation sélectionnée (33 1/3 tr/min ou 45 tr/min).

**4** Tirez le levier de levage vers le haut et déplacez le bras de lecture sur le disque.

**5** Poussez le levier de levage vers le bas.

Le bras de lecture descend lentement et la lecture commence.

---

---

## Pause de la lecture

Tirez le levier de levage vers le haut.

La pointe de lecture de la cellule se soulève du disque.

- Pour reprendre la lecture, poussez le levier de levage vers le bas.

---

---

## Fin de la lecture

**1** Tirez le levier de levage vers le haut pour ramener le bras de lecture sur le repose-bras, puis poussez le levier de levage vers le bas.

**2** Appuyez sur la touche [START/STOP].

Un freinage électronique permet au plateau de s'arrêter en douceur.

**3** Basculez l'interrupteur [POWER] sur [OFF] pour mettre l'appareil hors tension.

Utilisez le serre-bras pour fixer le bras de lecture.

Fixez le couvercle de la pointe de lecture pour protéger l'extrémité de la pointe de lecture.

---

---

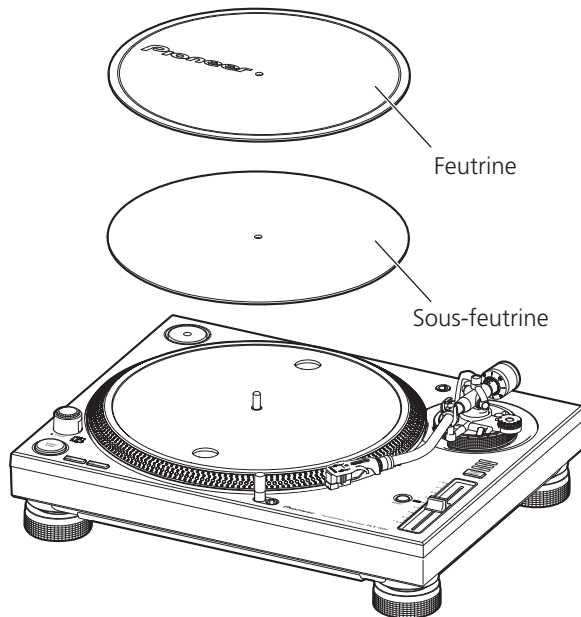
## À propos de la feutrine et de la sous-feutrine

### Feutrine

Si vous utilisez la feutrine au lieu du couvre-plateau, vous pouvez arrêter le disque à la main pendant la lecture ou faire tourner le plateau en sens inverse.

### Sous-feutrine

L'utilisation de la sous-feutrine sous la feutrine permet de scratcher plus en douceur.



---

---

## Pour la lecture de disques 45 tours standard

Placez l'adaptateur pour disque 45 tours sur l'axe central et appuyez sur la touche [45].

---

---

## Éclairage de l'extrémité de la pointe de lecture

Lorsque vous appuyez sur l'interrupteur d'éclairage de la pointe de lecture, le dispositif d'éclairage de la pointe de lecture s'allume en blanc et monte jusqu'à la position permettant d'éclairer l'extrémité de la pointe de lecture.

- Appuyez sur l'interrupteur du dispositif d'éclairage de la pointe de lecture pour le rabaisser s'il n'est pas nécessaire. L'interrupteur du dispositif d'éclairage de la pointe de lecture s'éteint.

---

---

## Installation du capot anti-poussière

Lorsque vous avez fini d'utiliser l'appareil, maintenez les deux côtés du capot anti-poussière et posez-le directement dessus.

## Réglage du pitch

**1 Appuyez sur la touche [RESET] pour désactiver l'indicateur [RESET].**

**2 Déplacez le curseur [TEMPO] vers l'avant ou l'arrière.**

Déplacer le curseur vers l'avant augmente la vitesse de rotation et le déplacer vers l'arrière diminue la vitesse de rotation.

- La graduation du curseur [TEMPO] est une valeur approximative. Veuillez l'utiliser à titre de référence.

**3 Appuyez sur la touche [TEMPO RANGE].**

La plage de réglage du curseur [TEMPO] change à chaque appui sur la touche. L'indicateur de la plage de réglage s'allume.

Valeur du réglage	Unités de réglage
±8	0,016 %
±16	0,032 %
±50	0,1 %

## Retour au pitch normal

**Appuyez sur la touche [RESET].**

L'indicateur [RESET] s'allume lors de l'appui sur la touche [RESET].

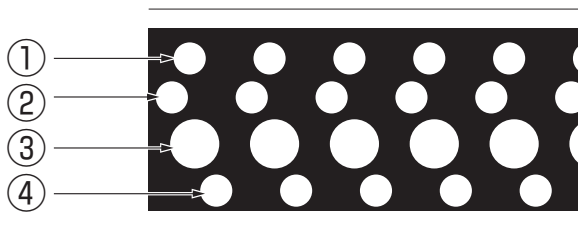
Pendant que l'indicateur [RESET] est allumé, le plateau tourne à la vitesse de rotation spécifiée (33 1/3 tr/min ou 45 tr/min) quelle que soit la position du curseur TEMPO.

## Détection du pitch

Un pitch plus précis peut être détecté en observant les quatre rangées de points stroboscopiques gravés autour du plateau.

- Un éclairage stroboscopique (lumière LED bleue) est utilisé pour éclairer les points stroboscopiques de l'appareil. Utilisez toujours l'éclairage stroboscopique lors de la détection du pitch.

### Points stroboscopiques



- ① Lorsque les points stroboscopiques semblent arrêtés, changement de pitch de +7,2 %
- ② Lorsque les points stroboscopiques semblent arrêtés, changement de pitch de +3,3 %
- ③ Lorsque les points stroboscopiques semblent arrêtés, vitesse de rotation spécifiée (33 1/3 tr/min ou 45 tr/min)
- ④ Lorsque les points stroboscopiques semblent arrêtés, changement de pitch de -3,3 %

# Informations supplémentaires

## En cas de panne

- Une erreur de commande est souvent prise pour une anomalie de fonctionnement ou une panne. S'il vous semble que quelque chose est anormal avec cet appareil, vérifiez les points suivants et les [FAQ] du [PLX-1000] sur le site de support DJ de Pioneer.  
<http://pioneerdj.com/support/>  
Parfois, le problème peut provenir d'un autre composant. Examinez les autres composants et les appareils électriques utilisés. Si le problème ne peut pas être résolu, contactez votre service après-vente agréé Pioneer ou votre revendeur pour une réparation.
- De l'électricité statique ou des influences externes ont peut être dérégulé cet appareil. Dans ce cas, il est possible de faire fonctionner à nouveau l'appareil en l'éteignant, puis rallumant 1 minute plus tard.

Problème	Vérification	Solution
L'appareil ne s'allume pas.	Est-ce que le cordon d'alimentation est correctement raccordé ?	Branchez correctement le cordon d'alimentation fourni sur une prise d'alimentation.
	Est-ce que l'interrupteur d'alimentation [POWER] est réglé sur [ON] ?	Réglez l'interrupteur d'alimentation [POWER] sur [ON].
Aucun son ou son faible.	Est-ce que les câbles audio sont correctement raccordés ?	Raccordez correctement les câbles audio.
	Est-ce que les prises et fiches sont sales ?	Nettoyez les prises et les fiches avant d'effectuer les raccordements.
	Est-ce que le porte-cellule est correctement fixé ?	Fixez correctement le porte-cellule.
Les sons de droite et de gauche sont inversés.	Les connexions gauche et droite de chaque appareil sont-elles inversées ?	Raccordez correctement le câble audio et les fils conducteurs du porte-cellule.
Il y a un faible bruit de fond (bourdonnement) pendant la lecture.	Y a-t-il un appareil électrique, tel qu'une lampe fluorescente, ou son cordon d'alimentation près du câble de connexion ?	Placez le cordon d'alimentation de la lampe fluorescente ou tout autre appareil aussi loin que possible.
	Le fil de terre du système de la platine est-il débranché ?	Raccordez correctement le fil de terre.
L'extrémité de la pointe de lecture ne s'abaisse pas sur le disque.	La pression de la pointe de lecture est-elle correctement réglée ?	Faites correspondre le contrepoids d'équilibrage avec la valeur de la pression de la pointe de lecture appropriée pour votre cellule.
	Le bras est-il équilibré horizontalement ?	Tournez le contrepoids d'équilibrage jusqu'à ce que le bras de lecture devienne horizontal.
La pointe de lecture saute.	La pression de la pointe de lecture est-elle correctement réglée ?	Faites correspondre le contrepoids d'équilibrage avec la valeur de la pression de la pointe de lecture appropriée pour votre cellule.
	Le disque est-il déformé ou a-t-il des rayures ?	Vérifiez l'état du disque.
	L'extrémité de la pointe de lecture est-elle très poussiéreuse ?	Retirez le porte-cellule avec la cellule installée et utilisez une petite brosse souple ou un pinceau pour enlever soigneusement la poussière, etc. de l'extrémité de la pointe de lecture.
	L'antipatinage est-il réglé correctement ?	Réglez l'antipatinage correctement.
	La hauteur du bras est-elle réglée correctement ?	Réglez la hauteur du bras correctement.
Le bras s'arrête en cours de lecture et n'avance plus.	Y a-t-il des rayures sur le disque ?	Vérifiez l'état du disque.
	Le bras est-il en contact avec quelque chose ?	Vérifiez autour du bras. Retirez l'obstacle, le cas échéant.
Le volume sonore est faible ou fort.	La connexion à l'amplificateur est-elle appropriée pour le type de cellule (sortie) ?	Raccordez correctement les câbles de liaison.

## Précautions d'emploi

### À propos de la condensation

Des gouttelettes d'eau (condensation) peuvent se former à l'intérieur de l'appareil (sur les pièces et les lentilles) en hiver, par exemple, si vous transportez sans transition l'appareil d'un endroit froid dans un pièce chaude, ou si la température de la pièce où se trouve l'appareil augmente rapidement (un appareil de chauffage, par exemple, est mis en marche). Cet appareil ne fonctionne pas correctement et la lecture n'est pas possible si de la condensation s'est formée dans l'appareil. Laissez l'appareil éteint pendant 1 ou 2 heures à la température ambiante (selon l'intensité de la condensation). Les gouttelettes d'eau s'évaporeront et la lecture sera de nouveau possible. De la condensation peut aussi se former en été si l'appareil est exposé à l'air d'un climatiseur, etc. Dans ce cas, installez l'appareil à un autre endroit.

### Lors du transport de l'appareil à un autre endroit

Utilisez les matériaux d'emballage d'origine pour emballer l'appareil. Si vous ne disposez pas des matériaux d'emballage d'origine, assurez-vous d'effectuer les opérations suivantes.

- Démontez le couvre-plateau et le plateau et emballez-les soigneusement.
- Démontez le porte-cellule et le contrepoids d'équilibrage du bras et emballez-les soigneusement.
- Utilisez le serre-bras pour fixer le bras de lecture et utilisez du ruban adhésif pour le maintenir fermement en place.
- Enveloppez l'appareil principal dans une couverture ou du papier souple pour ne pas l'endommager.



## Entretien de chaque élément

Lors du montage et du démontage du porte-cellule, éteignez l'amplificateur.

Tenter d'effectuer une telle opération alors que le volume est fort pourrait provoquer l'endommagement du haut-parleur.

- Retirez le porte-cellule avec la cellule installée et utilisez une petite brosse souple ou un pinceau pour enlever soigneusement la poussière, etc. de l'extrémité de la pointe de lecture.
- Utilisez un nettoyeur pour disque de bonne qualité pour nettoyer les disques.
- Utilisez un chiffon doux ou quelque chose de similaire pour nettoyer la borne du porte-cellule, puis fixez-le à nouveau au bras de lecture.

## Nettoyage du capot anti-poussière, etc.

Utilisez un chiffon doux pour nettoyer le capot anti-poussière et le boîtier

- Ne nettoyez pas le capot anti-poussière pendant la lecture. Le bras de lecture pourrait être attiré au capot anti-poussière à cause de l'électricité statique.

## À propos des marques commerciales et des marques déposées

- Pioneer est une marque déposée de PIONEER CORPORATION. Les noms de sociétés et de produits mentionnés ici sont des marques commerciales de leurs détenteurs respectifs.

## Spécifications

Alimentation..... CA 110 V à 120 V ou 220 V à 240 V, 50 Hz/60 Hz  
 Consommation..... 9 W  
 Poids de l'appareil principal..... 14,6 kg  
 Dimensions maximales ..... 453 mm (L) × 159 mm (H) × 353 mm (P)  
 Température de fonctionnement tolérée..... +5 °C à +35 °C  
 Humidité de fonctionnement tolérée ..... 5 % à 85 % (sans condensation)

### Plateau

Méthode d'entraînement..... Entraînement direct de type servomoteur  
 Moteur ..... Moteur à courant continu sans balai triphasé  
 Système de freinage ..... Freinage électronique  
 Vitesse de rotation ..... 33 1/3 tr/min, 45 tr/min  
 Plage de réglage de la vitesse de rotation..... ±8 %, ±16 %, ±50 %  
 Fluctuation de vitesse ..... 0,01 % ou moins WRMS  
 Mesure effectuée par obtention d'un signal provenant du générateur de fréquence intégré du moteur.  
 Rapport S/B..... 70 dB (DIN-B)  
 Plateau..... Aluminium moulé, Diamètre : 332 mm  
 Couple de démarrage ..... 4,5 kg·cm ou plus  
 Temps de démarrage..... 0,3 secondes (à 33 1/3 tr/min)

### Bras de lecture

Type de bras..... Bras de lecture en S de type universel, support à cardan, équilibrage statique  
 Longueur effective ..... 230 mm  
 Surplomb..... 15 mm  
 Erreur de suivi ..... Moins de 3°  
 Plage de réglage de la hauteur du bras..... 6 mm  
 Plage variable de la pression de la pointe de lecture ..... 0 g à 4,0 g (1 graduation 0,1 g)  
 Poids de la cellule approprié..... 3,5 g à 13 g (une cellule)  
 Lorsque le contrepoids de porte-cellule est utilisé ..... 3,5 g à 6,5 g  
 Lorsque seulement le contrepoids d'équilibrage est utilisé ... 6,0 g à 10 g  
 Lorsque le contrepoids supplémentaire est utilisé..... 9,5 g à 13 g  
 — Les caractéristiques et la présentation peuvent être modifiées, sans avis préalable, dans un souci d'amélioration.  
 — © 2014 PIONEER CORPORATION. Tous droits de reproduction et de traduction réservés.

Vielen Dank, dass Sie sich für dieses Pioneer-Produkt entschieden haben. Bitte lesen Sie diese Bedienungsanleitung gründlich durch, um sich mit der Bedienung des Geräts vertraut zu machen. Nachdem Sie die Bedienungsanleitung gelesen haben, legen Sie sie griffbereit zum Nachschlagen ab. In manchen Ländern oder Regionen können sich die Formen von Netzstecker und Netzsteckdose von denen in den Erklärungszeichnungen unterscheiden. Das Verfahren zum Anschließen und Bedienen des Geräts sind aber gleich.



Mischen Sie dieses Produkt, wenn Sie es entsorgen wollen, nicht mit gewöhnlichen Haushaltsabfällen. Es gibt ein getrenntes Sammelsystem für gebrauchte elektronische Produkte, über das die richtige Behandlung, Rückgewinnung und Wiederverwertung gemäß der bestehenden Gesetzgebung gewährleistet wird.

Privathaushalte in den Mitgliedsstaaten der EU, in der Schweiz und in Norwegen können ihre gebrauchten elektronischen Produkte an vorgesehenen Sammelrichtungen kostenfrei zurückgeben oder aber an einen Händler zurückgeben (wenn sie ein ähnliches neues Produkt kaufen).

Bitte wenden Sie sich in den Ländern, die oben nicht aufgeführt sind, hinsichtlich der korrekten Verfahrensweise der Entsorgung an die örtliche Kommunalverwaltung.

Auf diese Weise stellen Sie sicher, dass das zu entsorgende Produkt der notwendigen Behandlung, Rückgewinnung und Wiederverwertung unterzogen wird, und so mögliche negative Einflüsse auf die Umwelt und die menschliche Gesundheit vermieden werden.

K058b\_A1\_De

## WARNUNG

Dieses Gerät ist nicht wasserdicht. Zur Vermeidung der Gefahr von Brand und Stromschlag keine Behälter mit Flüssigkeiten (z.B. Blumenvasen und -töpfe) in die Nähe des Gerätes bringen und dieses vor Tropfwasser, Spritzwasser, Regen und Nässe schützen. **D3-4-2-1-3\_A1\_De**

## WARNUNG

Keine Quellen offener Flammen (z.B. eine brennende Kerze) auf dieses Gerät stellen. **D3-4-2-1-7a\_A1\_De**

## Betriebsumgebung

Betriebstemperatur und Betriebsluftfeuchtigkeit:  
+5 °C bis +35 °C, 85 % rel. Feuchte max.  
(Ventilationsschlitze nicht blockiert)

Eine Aufstellung dieses Gerät an einem unzureichend belüfteten, sehr feuchten oder heißen Ort ist zu vermeiden, und das Gerät darf weder direkter Sonneneinstrahlung noch starken Kunstlichtquellen ausgesetzt werden. **D3-4-2-1-7c\*\_A1\_De**

## WARNUNG

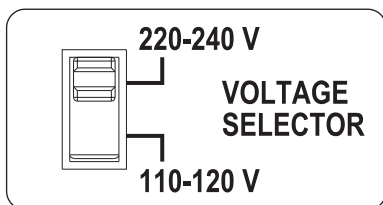
Das Netzkabel dieses Gerätes ist mit einem dreipoligen (einschließlich Erdungsstift) Netzstecker ausgestattet, der ausschließlich für den Anschluss an eine (geerdete) Schuko-Steckdose vorgesehen ist. Falls der Netzstecker aufgrund einer abweichenden Ausführung nicht an die Netzsteckdose angeschlossen werden kann, muss ein Elektriker mit der Installation einer vorschriftsmäßigen Netzsteckdose beauftragt werden. Beim Erdungsstift handelt es sich um eine Sicherheitsvorrichtung, die auf keinen Fall umgangen oder außer Kraft gesetzt werden darf. **D3-4-2-1-6\_A1\_De**

## Spannungswähler

Der Spannungs-Wahlschalter befindet sich bei Modellen mit mehreren Spannungen an der Oberseite.

**Die Werkseinstellung des Spannungswählers beträgt 220 bis 240 V. Bitte wählen Sie die richtige Spannung für Ihr Land oder Ihre Region.**

Trennen Sie vor dem Spannungswechsel das Netzkabel. Ändern Sie die Position des Spannungs-Wahlschalters mit einem Schraubendreher mittlerer Größe.



D3-4-2-1-5\*\_A2\_De

## VORSICHT MIT DEM NETZKABEL

Fassen Sie das Netzkabel immer am Stecker. Ziehen Sie nicht am Kabel selbst, und fassen Sie das Netzkabel niemals mit nassen Händen an, da dies einen Kurzschluss oder elektrischen Schlag verursachen kann. Stellen Sie nicht das Gerät, Möbelstücke o.ä. auf das Netzkabel; sehen Sie auch zu, dass es nicht eingeklemmt wird. Machen Sie niemals einen Knoten in das Netzkabel, und binden Sie es nicht mit anderen Kabeln. Das Netzkabel sollte so gelegt werden, dass niemand darauf tritt. Ein beschädigtes Netzkabel kann einen Brand oder elektrischen Schlag verursachen. Prüfen Sie das Netzkabel von Zeit zu Zeit. Sollte es beschädigt sein, wenden Sie sich an Ihre nächste autorisierte PIONEER-Kundendienststelle oder Ihren Händler, um es zu ersetzen. **5002\*\_A1\_De**

## ACHTUNG

Der **POWER**-Schalter dieses Gerätes trennt das Gerät nicht vollständig vom Stromnetz. Um das Gerät vollständig vom Netz zu trennen, muss der Netzstecker aus der Netzsteckdose gezogen werden. Daher sollte das Gerät so aufgestellt werden, dass stets ein unbehinderter Zugang zur Netzsteckdose gewährleistet ist, damit der Netzstecker in einer Notsituation sofort abgezogen werden kann. Um Brandgefahr auszuschließen, sollte der Netzstecker vor einem längeren Nichtgebrauch des Gerätes, beispielsweise während des Urlaubs, grundsätzlich von der Netzsteckdose getrennt werden. **D3-4-2-2-2a\*\_A1\_De**

## VORSICHTSHINWEIS ZUR BELÜFTUNG

Bei der Aufstellung dieses Gerätes muss für einen ausreichenden Freiraum gesorgt werden, um eine einwandfreie Wärmeabfuhr zu gewährleisten (mindestens 15 cm oberhalb des Gerätes, 5 cm hinter dem Gerät und jeweils 5 cm an der Seite des Gerätes). **D3-4-2-1-7d\*\_A1\_De**

## WARNUNG

Kleine Teile außerhalb der Reichweite von Kleinkindern und Kindern aufbewahren. Bei unbeabsichtigtem Verschlucken ist unverzüglich ein Arzt aufzusuchen. **D41-6-4\_A1\_De**

## ACHTUNG

UM SICH NICHT DER GEFAHR EINES ELEKTRISCHEN SCHLAGES AUSZUSETZEN, DÜRFEN SIE NICHT DEN DECKEL (ODER DIE RÜCKSEITE) ENTFERNEN. IM GERÄTEINNEREN BEFINDEN SICH KEINE VOM BENUTZER REPARIERBAREN TEILE. ÜBERLASSEN SIE REPARATUREN DEM QUALIFIZIERTEN KUNDENDIENST. **D3-4-2-1-1\_B1\_De**

# Inhalt

## Zum Lesen dieser Anleitung

In dieser Broschüre werden die Namen der Tasten und Anschlüsse des Hauptgeräts in eckigen Klammern ([ ]) angegeben.

Beispiele:

- Drücken Sie die Taste [START/STOP].
- Wenn das Produkt an einen Vor-/Hauptverstärker oder eine Komponente ohne [PHONO]-Buchse angeschlossen ist, kann keine ausreichende Lautstärke- und Tonqualität erzielt werden. Verwenden Sie in diesem Fall den PHONO-Equalizer.

## 01 Vor der Inbetriebnahme

Merkmale.....	3
Lieferumfang.....	3

## 02 Bevor Sie beginnen

Über den Tonabnehmer.....	4
Montage.....	4

## 03 Bezeichnungen und Funktionen der Komponenten

Oberseite.....	6
Rückseite.....	7

## 04 Anpassung

Anpassen des Tonarmgleichgewichts.....	8
Anpassen des Nadeldrucks.....	8
Anti-Skating-Anpassung.....	9
Anpassen der Höhe des Armhebers.....	9
Anpassen der Armhöhe.....	9

## 05 Anschlüsse

Beschreibung der Buchsen.....	10
Basic-Stil.....	10
Installationsort.....	11

## 06 Bedienung

Einschalten der Stromversorgung.....	12
Ausschalten der Stromversorgung.....	12
Wiedergabe.....	12
Anhalten der Wiedergabe.....	12
Beenden der Wiedergabe.....	12
Anpassen der Tonhöhe.....	13

## 07 Zusätzliche Informationen

Störungssuche.....	14
Vorsichtshinweise.....	14
Wartung der einzelnen Teile.....	15
Über Markenzeichen und eingetragene Markenzeichen.....	15
Technische Daten.....	15

# Vor der Inbetriebnahme

## Merkmale

Dieses Gerät ist ein professioneller Plattenspieler, der sich durch Funktionalität, Haltbarkeit, Bedienbarkeit und Tonqualität für eine Vielzahl an Einsatzmöglichkeiten – vom Musikerlebnis in den eigenen vier Wänden, bis zur Disco- oder Clubszene – auszeichnet.

## Direktantriebsystem für hohes Drehmoment

Dieses Gerät dreht sich mit einer konstanten Drehzahl mit Gleichlaufschwankungen von 0,1 % oder weniger und verfügt über ein Anlaufdrehmoment von 4,5 kg·cm oder mehr sowie eine Anlaufzeit von 0,3 Sekunden (33 1/3 U/Min).

## Für hohe Tonqualität konzipiert

- Für die Cinch-Buchse kommt eine vergoldete Komponente aus dem gleichen Material wie der TAD-Player, unsere Vorzeigemarke, zum Einsatz. Eine stabile Verbindung überträgt das PHONO-Signal direkt.
- Zwischen der Ober- und Unterseite des Gehäuses kommt ein vibrationsdämpfendes Material zum Einsatz, das externe Vibrationsstörungen dämpft.

## Hochpräzise Temporegelung in 3 Stufen

- Der variable Tempobereich kann um  $\pm 8\%$ ,  $\pm 16\%$  und  $\pm 50\%$  angepasst werden, was eine hochflexible Wiedergabe ermöglicht.
- Durch Drücken auf die [RESET]-Taste kehrt das Tempo sofort auf eine konstante  $\pm 0\%$  Drehung zurück.

## Trennbare Netz- und Audiokabel

- Beim Versetzen des Hauptgeräts sind keine Kabel im Weg, wodurch Verbindungsprobleme verhindert werden.
- Durch Austauschen des Audiokabels kann das Gerät individuell auf Ihren bevorzugten Sound eingestellt werden.

## Lieferumfang

- Plattenteller
- Plattentellerauflage
- Slipmat
- Slipsheet
- Abdeckhaube
- Adapter für EPs
- Gegengewicht
- Nebengewicht
- Tonabnehmerkopf
- Tonkopfgewicht
- Netzkabel
- Audiokabel
- Massekabel
- Garantie (für bestimmte Regionen)<sup>1</sup>
- Bedienungsanleitung (dieses Dokument)

<sup>1</sup> Die mitgelieferte Garantie gilt für die Region Europa.

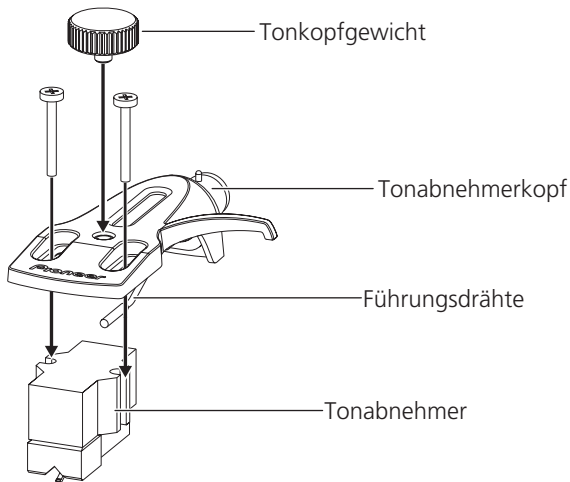
# Bevor Sie beginnen

## Über den Tonabnehmer

- Die Tonabnehmer ist nicht mitgeliefert.
- Weitere Einzelheiten zum Tonabnehmer finden Sie in dessen Bedienungsanleitung.

### Befestigen Sie den Tonabnehmer am Tonabnehmerkopf.

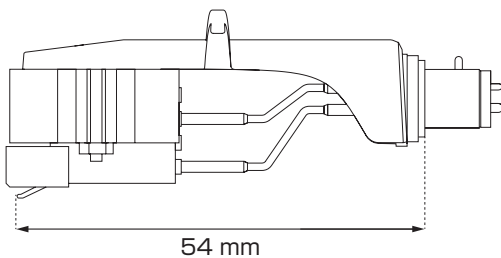
Die Führungsdrähte des Tonabnehmerkopfs sind farbkodiert. Verwenden Sie eine Zange oder ähnliches Werkzeug, um die Drähte an die entsprechenden Klemmen des Tonabnehmers, wie darauf angezeigt, ordnungsgemäß zu verbinden.



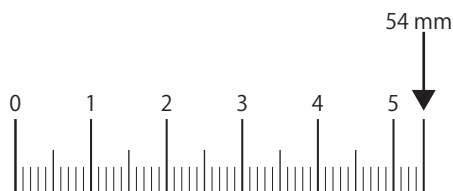
- Verwenden Sie beim Gebrauch eines Tonabnehmers von 3,5 bis 6,5 g das mitgelieferte Tonkopfgewicht.

## Anpassen des Überhangs

Verwenden Sie die folgende Überhanganpassungsskala, um die Position mithilfe der Tonabnehmer-Einstellschraube so einzurichten, dass die Nadelspitze einen Abstand von 54mm zur Tonarmbefestigung erreicht.



### Überhanganpassungsskala

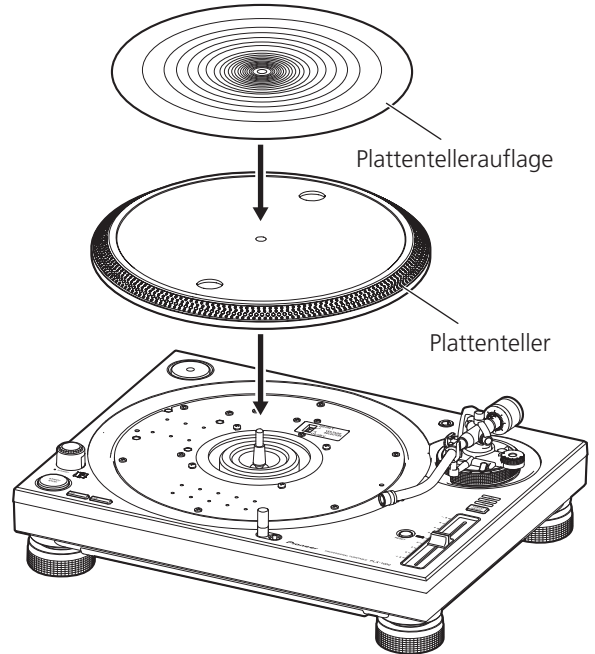


# Montage

## 1 Setzen Sie den Plattenteller und die Plattentellerauflage auf.

Setzen Sie den Plattenteller auf die mittlere Spindel, und platzieren Sie die Plattentellerauflage auf den Plattenteller.

- Schlagen Sie dabei nicht mit dem Plattenteller auf das Hauptgerät und lassen Sie ihn nicht fallen.
- Achten Sie darauf, dass kein Eisenpulver oder anderer Staub am Magneten an der Rückseite des Plattentellers haftet.
- Berühren Sie nicht die Magnetbefestigungsschrauben des Plattentellers (3 Stellen). Wenn die Position der Befestigungsschrauben geändert wird, kann die angegebene Leistung nicht garantiert werden.

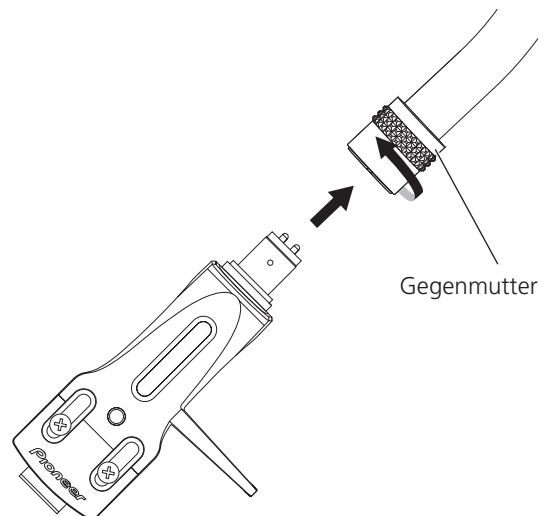


## 2 Befestigen Sie den Tonabnehmer am Tonabnehmerkopf.

Die Führungsdrähte des Tonabnehmerkopfs sind farbkodiert. Verwenden Sie eine Zange oder ähnliches Werkzeug, um die Drähte an die entsprechenden Klemmen des Tonabnehmers, wie darauf angezeigt, ordnungsgemäß zu verbinden.

## 3 Bringen Sie den Tonabnehmerkopf an.

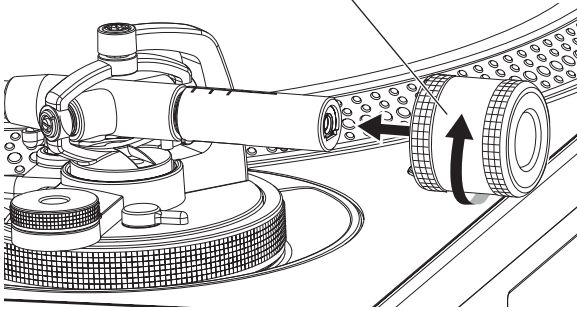
Setzen Sie den Tonabnehmerkopf mit angebrachtem Tonabnehmer in den Tonarm ein. Ziehen Sie als Nächstes die Kontermutter an, während Sie dabei den Tonabnehmerkopf horizontal halten.



#### 4 Bringen Sie das Gegengewicht an.

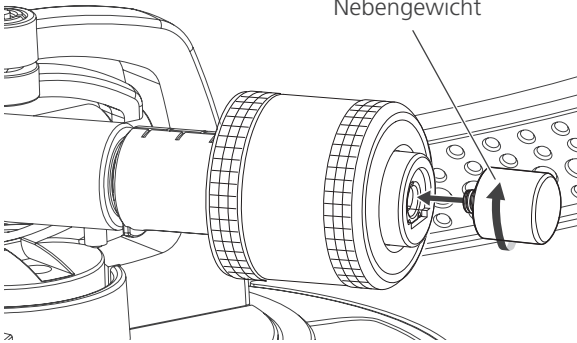
Befestigen Sie das Gegengewicht am hinteren Schaft des Tonarms.

Gegengewicht



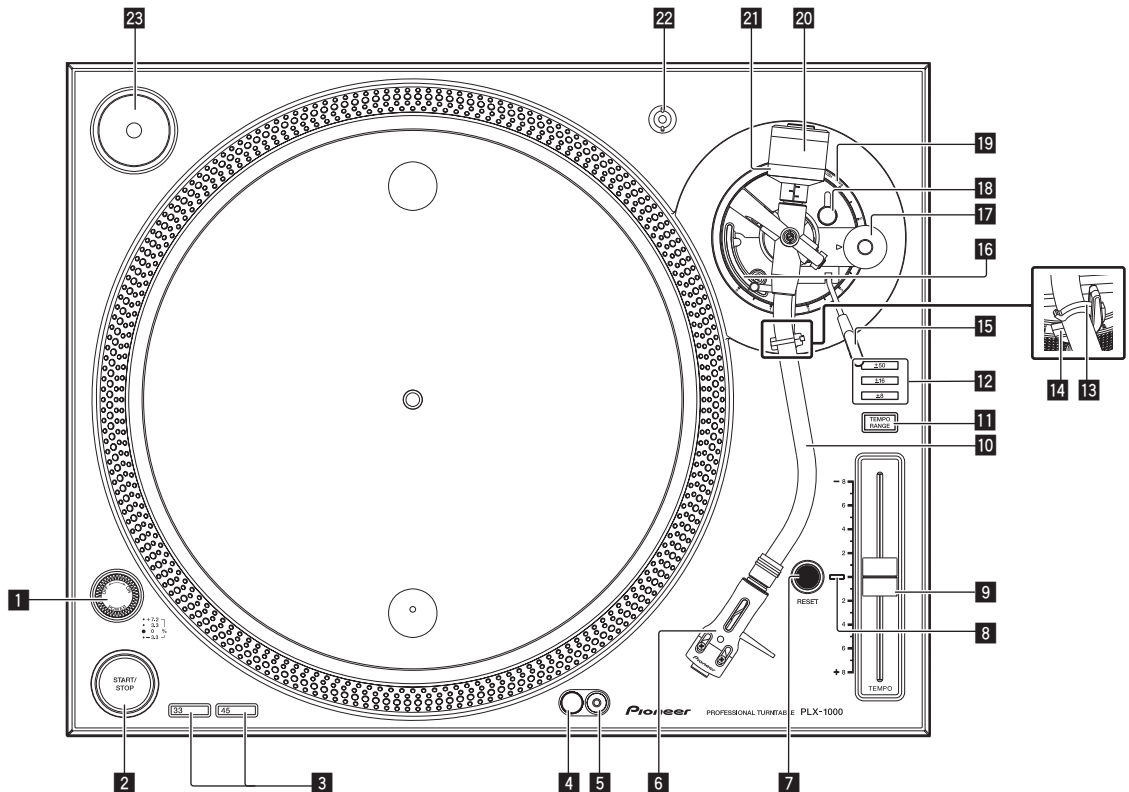
- Befestigen Sie beim Gebrauch eines Tonabnehmers von 9,5 bis 13 g ein Nebengewicht am hinteren Schaft des Tonarms.

Nebengewicht



# Bezeichnungen und Funktionen der Komponenten

## Oberseite



### 1 POWER Schalter

Wenn dieser Schalter in die [ON]-Position gestellt wird, wird das Gerät eingeschaltet und die Stroboskop-Beleuchtung an der Seite leuchtet.

↪ Wiedergabe (S.12)

### 2 START/STOP-Taste

Durch Drücken auf die Taste wird die Drehung des Plattentellers gestartet oder gestoppt.

↪ Wiedergabe (S.12)

### 3 Drehzahländerungstaste

Ändert die Drehzahl entsprechend der abzuspielenden Schallplatte.

- Drücken Sie bei einer Platte mit 33 1/3 U/Min auf die [33]-Taste.
- Drücken Sie bei einer Schallplatte mit 45 U/Min auf die [45]-Taste.

↪ Wiedergabe (S.12)

### 4 Nadelbeleuchtung

Beleuchtet die Nadelspitze.

↪ Wiedergabe (S.12)

### 5 Nadelbeleuchtungsschalter

Die Nadelbeleuchtung leuchtet in weiß und reicht bis zur Beleuchtungsposition der Nadelspitze.

↪ Wiedergabe (S.12)

### 6 Tonabnehmerkopf

Wird mit angebrachtem Tonabnehmer verwendet.

### 7 RESET-Taste

### 8 RESET-Anzeige

Durch Drücken auf die [RESET]-Taste wird die [RESET]-Anzeige eingeschaltet. Während die [RESET]-Anzeige leuchtet, dreht sich der Plattenteller mit angegebener Drehzahl (33 1/3 oder 45 U/Min) unabhängig von der Position des TEMPO-Schiebers.

↪ Anpassen der Tonhöhe (S.13)

### 9 TEMPO-Schieber

Der Schieber lässt sich zur Feineinstellung der Drehzahl vor- und zurückschieben.

↪ Anpassen der Tonhöhe (S.13)

### 10 Tonarm

↪ Anpassung (S.8)

### 11 TEMPO RANGE-Taste

Bei jedem Tastendruck wechselt der Tempobereich zwischen  $\pm 8\%$ ,  $\pm 16\%$  oder  $\pm 50\%$ .

↪ Anpassen der Tonhöhe (S.13)

### 12 TEMPO RANGE-Anzeige

Der eingestellte Tempobereich leuchtet in blau.

### 13 Armhalterung

Hält den Tonarm.

### 14 Armstütze

Stützt den Tonarm.

### 15 Anhebehebel

Wenn der Hebel nach oben gezogen wird, geht der Tonarm nach oben. Wenn der Hebel nach unten gedrückt wird, geht der Tonarm nach unten.

### 16 Armheber

Diese Vorrichtung wird verwendet, um den Tonarm nach oben und unten zu heben. Er wird über den Anhebehebel bedient.

### 17 ANTI SKATING-Drehrad

Beim Abspielen einer Schallplatte wird die Nadelspitze durch die Skatingkraft zum inneren Perimeter gezogen. Durch Anpassen dieses Drehrads an den Nadeldruckwert wird diese Kraft eliminiert.

➔ *Anti-Skating-Anpassung* (S.9)

### 18 HEIGHT ADJUST-Verriegelung

Verriegelt die angepasste Armhöhe.

➔ *Anpassen der Armhöhe* (S.9)

### 19 HEIGHT ADJUST-Drehrad

Passt die Höhe des Tonarms an.

➔ *Anpassen der Armhöhe* (S.9)

### 20 Gegengewicht

Gleicht das Gewicht des Tonarms aus, und passt den Nadeldruck an.

➔ *Anpassung* (S.8)

### 21 Nadeldruckanpassungsring

Passt den Nadeldruck an den Tonabnehmer an.

➔ *Anpassen des Nadeldrucks* (S.8)

### 22 Tonabnehmerkopf-Ständer

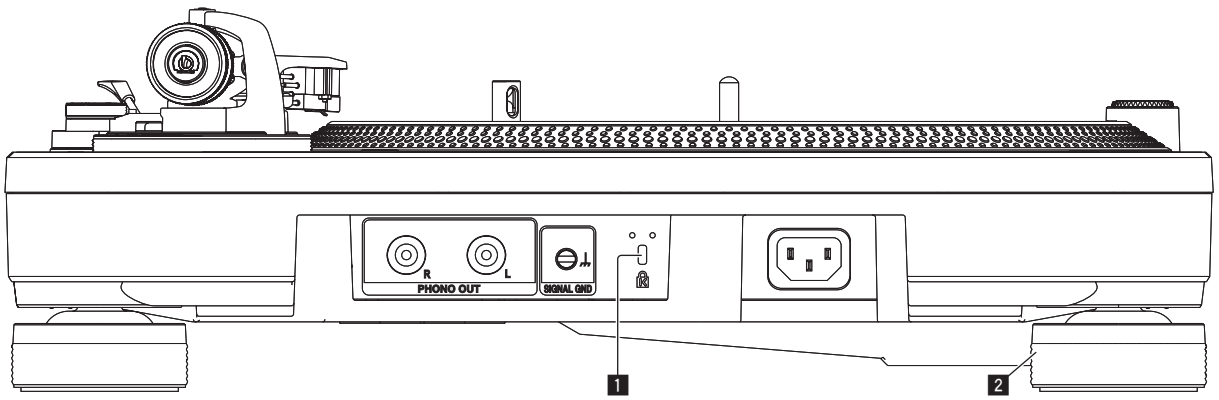
Hält den Tonabnehmerkopf.

### 23 Adapter für EPs

Spielt Standard-EPs ab.

➔ *Abspielen einer Standard-EP* (S.12)

## Rückseite



Für die für Verbindungen verwendeten Buchsen siehe *Beschreibung der Buchsen* auf Seite 10.

### 1 Kensington-Diebstahlsicherung

### 2 Dämpfer

Dämpft äußere Vibrationen. Durch Drehen der Dämpfer wird die Plattenspielerhöhe angepasst.

➔ *Anpassen der Höhe des Hauptgeräts* (S.11)

# Anpassung

## Anpassen des Tonarmgleichgewichts

- Da sich das Gewicht des Tonabnehmers und Tonabnehmerkopfes je nach Produkt unterscheiden, muss das Gleichgewicht des Tonarms angepasst werden.

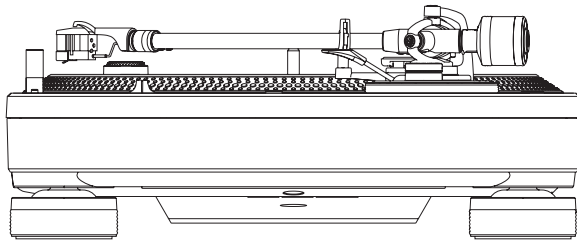
Nehmen Sie folgende Vorgänge vor.

- Entfernen Sie die Nadelabdeckung und die Armhalterung und achten Sie darauf, nicht die Nadelspitze zu berühren.
- Drücken Sie den Anhebehebel nach unten.
- Stellen Sie das [ANTI SKATING]-Drehrad auf "0".

### Nehmen Sie den Tonarm von der Armstütze, und passen Sie das Gegengewicht so an, dass der Arm horizontal steht.

Drehen Sie das Gegengewicht so weit, bis der Tonarm beinahe horizontal steht.

- Achten Sie beim Bewegen des Tonarms darauf, dass die Nadelspitze nicht direkt den Plattenteller o.ä. berührt.



## Anpassen des Nadeldrucks

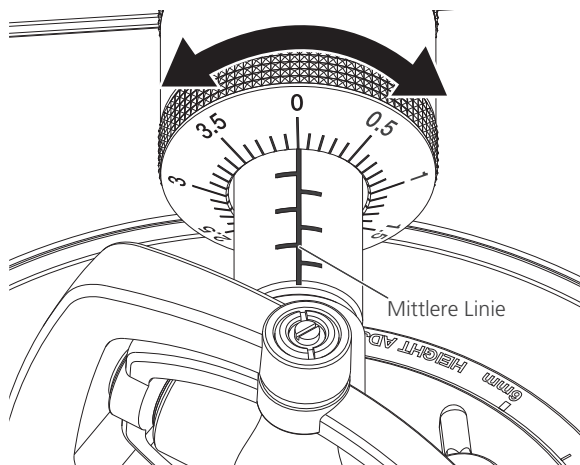
- Um Nadelsprünge oder Tonverzerrungen zu verhindern, muss der Nadeldruck an den geeigneten Nadeldruckwert entsprechend des Tonabnehmers angepasst werden.

Nehmen Sie folgende Vorgänge vor.

- Setzen Sie den Tonarm zurück auf die Armstütze, und sichern Sie ihn mit der Armhalterung.

### 1 Richten Sie die "0" am Nadeldruckanpassungsring an der mittleren Linie des hinteren Armschafts aus.

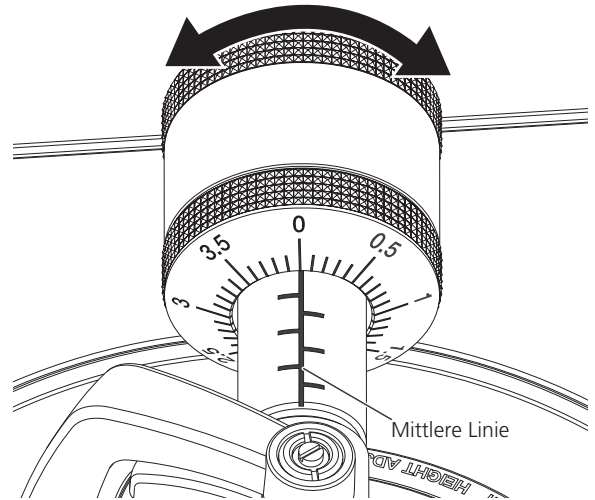
Verhindern Sie mit Ihrem Finger, dass sich das Gegengewicht bewegt, und stellen Sie den Nadeldruckanpassungsring so ein, dass die Zahl "0" an der schwarzen mittleren Linie des hinteren Tonarmschafts ausgerichtet ist.



### 2 Passen Sie den Nadeldruck an.

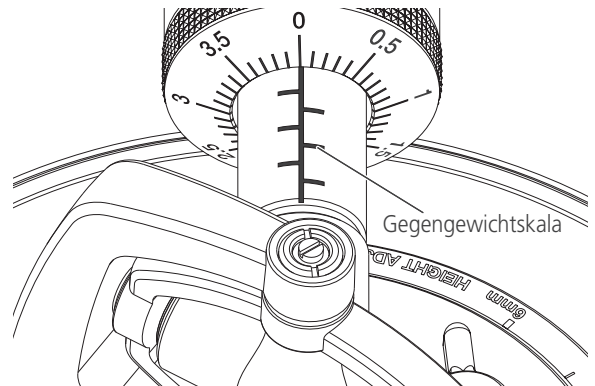
Drehen Sie das Gegengewicht, um den geeigneten Nadeldruckwert für Ihren Tonabnehmer einzustellen.

- Gemeinsam mit dem Gegengewicht dreht sich auch der Nadeldruckanpassungsring. Stellen Sie den Nadeldruck auf den geeigneten Wert unter Beobachtung des Anpassungsringes ein.



## Verwenden der Anpassungsskala des Gegengewichts

Es wird empfohlen, dass Sie sich für Ihren Kopf mit Tonabnehmer die Position auf der Gegengewichtsskala merken. Auf diese Weise kann der geeignete Nadeldruck ganz einfach durch Einstellen der Position der Gegengewichtsskala eingerichtet werden, ohne dass das horizontale Tonarmgleichgewicht angepasst werden muss.



### 1 Befestigen Sie den Kopf mit Tonabnehmer am Tonarm.

### 2 Passen Sie die Position der Anpassungsskala des Gegengewichts anhand des eingestellten Gegengewichts an.

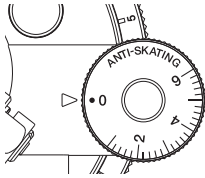


## Anti-Skating-Anpassung

Diese Anpassung soll Nadelsprünge verhindern.

**Stellen Sie die gleiche Position auf der Skala wie für den Nadeldruckwert ein.**

Drehen Sie das [ANTI SKATING]-Drehrad, bis die Referenzlinie auf den gleichen Wert wie für den Nadeldruckwert des Tonabnehmers eingestellt ist.



## Bei der Scratch-Wiedergabe

Passen Sie die Skalenposition an den Wiedergabevorgang an, um Nadelsprünge zu verhindern.

## Anpassen der Höhe des Armhebers

Nehmen Sie bei Bedarf eine Anpassung entsprechend des verwendeten Tonabnehmers vor.

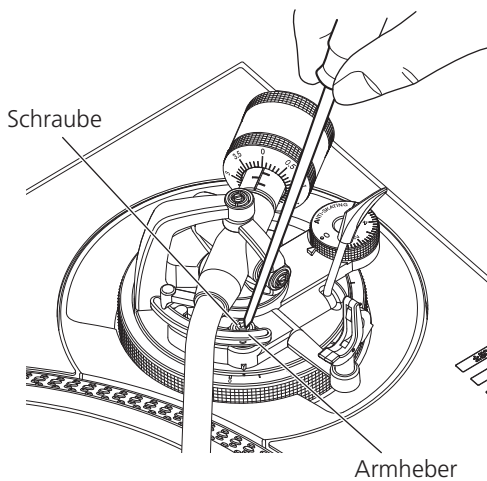
Nehmen Sie folgende Vorgänge vor.

- Legen Sie eine Schallplatte auf die Plattentellerauflage.
- Entfernen Sie die Nadelabdeckung und die Armhalterung und achten Sie darauf, nicht die Nadelspitze zu berühren.
- Ziehen Sie den Anhebehebel nach oben, und setzen Sie den Tonarm auf die Schallplatte.

**Passen Sie die Höhe an, indem Sie die Schraube drehen, während der Armheber nach unten gedrückt wird.**

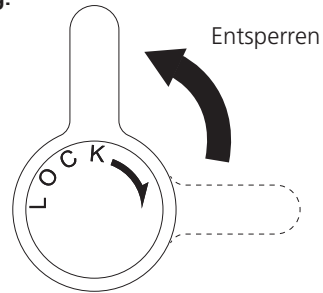
- Wenn die Schraube im Uhrzeigersinn gedreht wird, verringert sich der Abstand zwischen Schallplatte und Nadel.
- Wenn die Schraube entgegen dem Uhrzeigersinn gedreht wird, erhöht sich der Abstand zwischen Schallplatte und Nadel.

Die Höhe des Armhebers (der Abstand zwischen Schallplatte und Nadel, wenn der Anhebehebel nach oben gezogen wird) ist werkseitig auf einen Bereich von 8 bis 13 mm eingestellt.



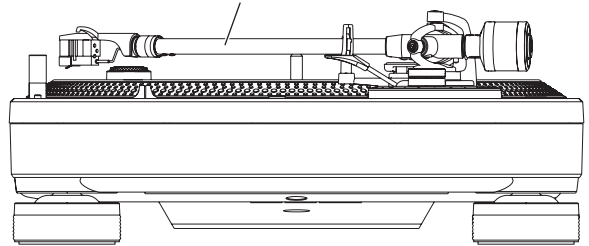
## Anpassen der Armhöhe

**1 Drehen Sie die [HEIGHT ADJUST]-Verriegelung zur Entriegelung.**

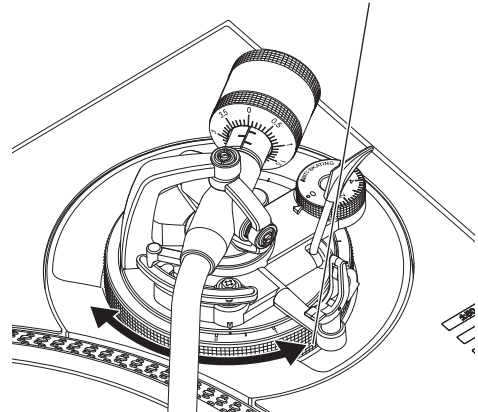


**2 Drücken Sie den Anhebehebel nach unten, setzen Sie die Nadel auf die Schallplatte, und drehen Sie dann am [HEIGHT ADJUST]-Drehrad, um den Tonarm parallel an der Schallplatte auszurichten.**

So anpassen, dass der Tonarm horizontal steht



[HEIGHT ADJUST]-Drehrad



Entnehmen Sie Einzelheiten zur Anpassung des [HEIGHT ADJUST]-Drehrads an die Höhe Ihres Tonabnehmers der folgenden Tabelle.

	Größe des Tonabnehmers H (mm)	[HEIGHT ADJUST]-Drehrad-Skalenposition
	19	0
	20	1
	21	2
	22	3
	23	4
	24	5
	25	6

**3 Drehen Sie die [HEIGHT ADJUST]-Verriegelung, um die Armhöhe zu sichern.**

Drehen Sie nach der Anpassung der Armhöhe immer die [HEIGHT ADJUST]-Verriegelung, um den Arm zu sichern.

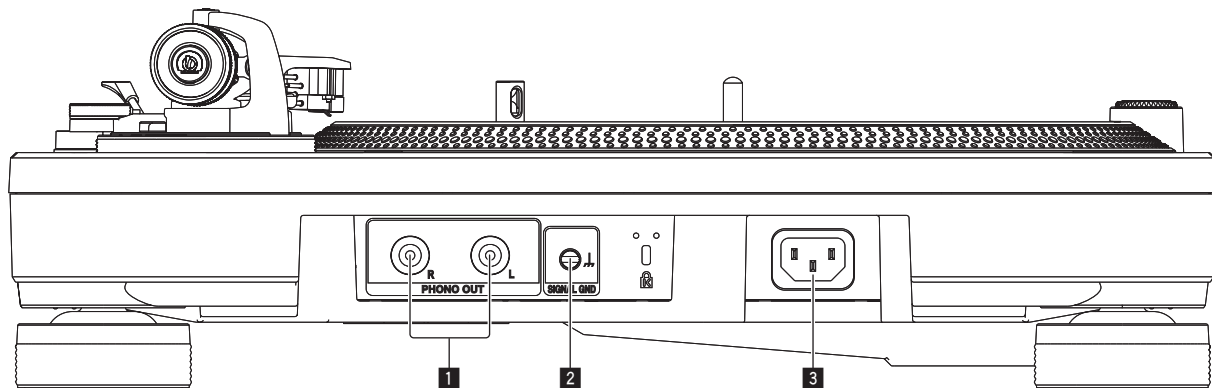
## Bei der Scratch-Wiedergabe

Um Nadelsprünge zu verhindern, passen Sie die Armhöhe mit dem [HEIGHT ADJUST]-Drehrad an den Wiedergabevorgang an.

# Anschlüsse

- Schalten Sie die Stromversorgung aus und ziehen Sie das Netzkabel aus der Netzsteckdose, bevor Sie Geräte anschließen oder die Anschlüsse ändern.
- Beachten Sie die Bedienungsanleitung der angeschlossenen Komponente.
- Schließen Sie das Netzkabel an, nachdem alle Anschlüsse zwischen den Geräten vorgenommen wurden.

## Beschreibung der Buchsen



### 1 PHONO OUT-Buchsen

Schließen Sie die Audiokabel (mitgeliefert) hier an.

### 2 SIGNAL GND-Buchse

Verbinden Sie das Massekabel (Zubehör). Dadurch wird Rauschen beim Anschluss eines analogen Plattenspielers reduziert.

### 3 AC IN

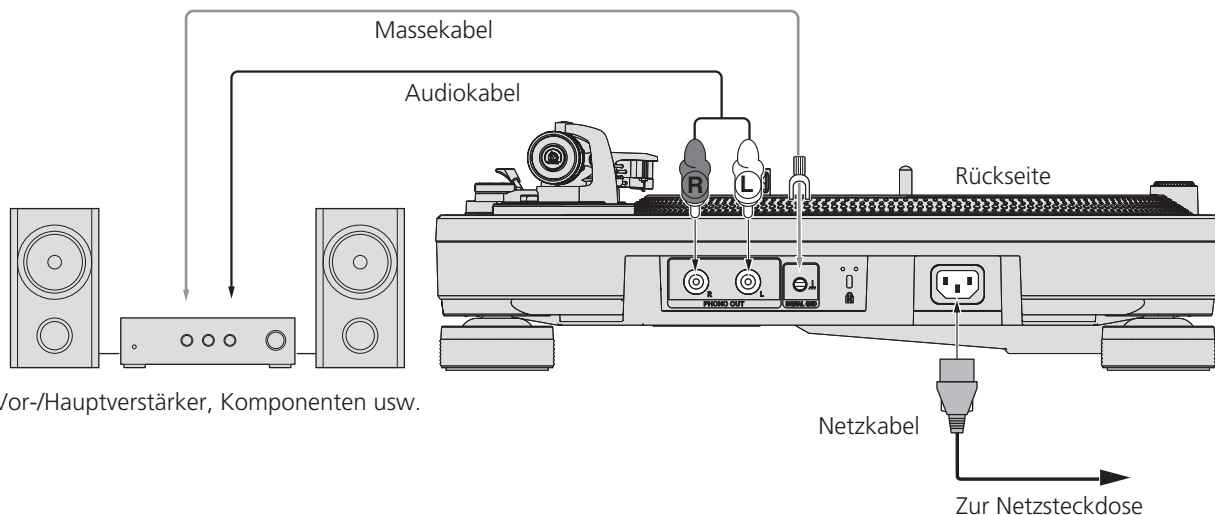
Stellt die Verbindung zum Stromnetz mit dem mitgelieferten Netzkabel her. Warten Sie, bis alle Verbindungen zwischen den Geräten hergestellt sind, bevor Sie das Netzkabel anschließen.

- Verwenden Sie immer das mitgelieferte Netzkabel.

## Basic-Stil

- Stellt die Verbindung zum Stromnetz mit dem mitgelieferten Netzkabel her. Warten Sie, bis alle Verbindungen zwischen den Geräten hergestellt sind, bevor Sie das Netzkabel anschließen.
- Beachten Sie die Bedienungsanleitung der angeschlossenen Komponente.

## Anschluss an einen Vor-/Hauptverstärker und eine Komponente



Vor-/Hauptverstärker, Komponenten usw.

### 1 Verbinden Sie das Audio- und Massekabel mit der [PHONO]-Eingangsbuchse des Vor-/Hauptverstärkers oder einer anderen Komponente.

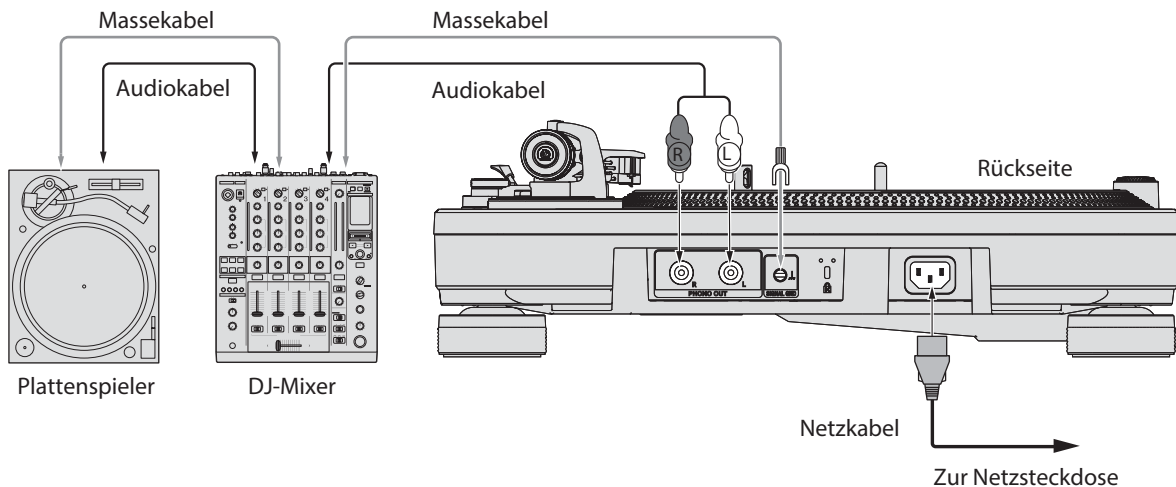
- Wenn das Produkt an einen Vor-/Hauptverstärker oder eine Komponente ohne [PHONO]-Buchse angeschlossen ist, kann keine ausreichende Lautstärke- und Tonqualität erzielt werden. Verwenden Sie in diesem Fall den PHONO-Equalizer.
- Verbinden Sie unbedingt das Massekabel. Wenn dieses Gerät nicht ausreichend geerdet ist, kann ein Netzbrummen (Surren) auftreten.

### 2 Schließen Sie das Netzkabel an.

Stellt die Verbindung zum Stromnetz mit dem mitgelieferten Netzkabel her. Warten Sie, bis alle Verbindungen zwischen den Geräten hergestellt sind, bevor Sie das Netzkabel anschließen.

- Bevor Sie dieses Gerät an das mit einer Steckdose (Netzsteckdose) verbundene Gerät anschließen, überprüfen Sie die an der Steckdose angezeigte Wattleistung. (Dieses Gerät hat eine Leistungsaufnahme von 9 W.)

## Anschluss an einen DJ-Mixer



### 1 Verbinden Sie das Audio- und Massekabel mit der [PHONO]-Eingangsbuchse des DJ-Mixers.

- Wenn das Produkt an einen DJ-Mixer ohne [PHONO]-Eingangsbuchse angeschlossen ist, kann keine ausreichende Lautstärke- und Tonqualität erzielt werden.
- Verbinden Sie unbedingt das Massekabel. Wenn dieses Gerät nicht ausreichend geerdet ist, kann ein Netzbrummen (Surren) auftreten.

### 2 Schließen Sie das Netzkabel an.

Stellt die Verbindung zum Stromnetz mit dem mitgelieferten Netzkabel her. Warten Sie, bis alle Verbindungen zwischen den Geräten hergestellt sind, bevor Sie das Netzkabel anschließen.

- Bevor Sie dieses Gerät an das mit einer Steckdose (Netzsteckdose) verbundene Gerät anschließen, überprüfen Sie die an der Steckdose angezeigte Wattleistung. (Dieses Gerät hat eine Leistungsaufnahme von 9 W.)

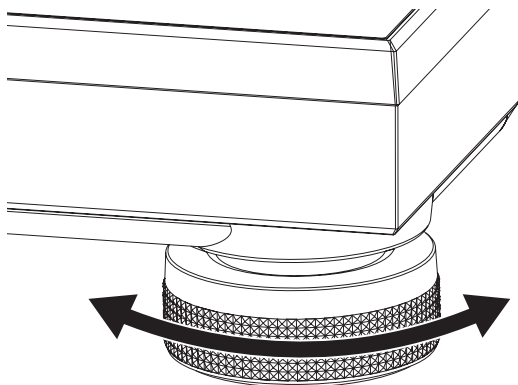
## Installationsort

Stellen Sie das Gerät auf eine ebene Oberfläche, die keinen externen Vibrationen ausgesetzt ist.

- Halten Sie das Gerät so weit wie möglich vom Lautsprechersystem entfernt.
- Wenn sich das Gerät in der Nähe eines Radios befindet (AM/UKW-Empfang), könnte das Radio Rauschen verursachen. Halten Sie einen so großen Abstand wie möglich.

## Anpassen der Höhe des Hauptgeräts

Passen Sie die Höhe an, indem Sie die Dämpfer so drehen, dass das Hauptgerät horizontal steht.



---

---

# Bedienung

---

---

## Einschalten der Stromversorgung

**1 Stellen Sie alle Verbindungen her und stecken Sie dann den Netzstecker in eine Steckdose.**

⇒ Anschlüsse (S.10)

**2 Bringen Sie den [POWER]-Schalter in die [ON]-Position, um das Gerät einzuschalten.**

Die Anzeigen dieses Geräts leuchten auf, und es wird mit Strom versorgt.

---

---

## Ausschalten der Stromversorgung

**Bringen Sie den [POWER]-Schalter in die [OFF]-Position, um das Gerät auszuschalten.**

Die Stromversorgung dieses Geräts schaltet aus.

---

---

## Wiedergabe

Nehmen Sie folgende Vorgänge vor.

- Legen Sie eine Schallplatte auf den Plattenteller.
- Entfernen Sie die Nadelabdeckung und die Armhalterung.

**1 Bringen Sie den [POWER]-Schalter in die [ON]-Position, um das Gerät einzuschalten.**

**2 Drücken Sie die Taste [START/STOP].**

Der Plattenteller dreht sich.

**3 Drücken Sie auf die [RESET]-Taste.**

Die [RESET]-Anzeige leuchtet in gelb-grün und die Drehzahl kehrt zur voreingestellten Rotation (33 1/3 oder 45 U/Min) zurück.

**4 Ziehen Sie den Anhebehebel nach oben, und setzen Sie den Tonarm auf die Schallplatte.**

**5 Drücken Sie den Anhebehebel nach unten.**

Der Tonarm senkt sich langsam ab, und die Wiedergabe beginnt.

---

---

## Anhalten der Wiedergabe

**Ziehen Sie den Anhebehebel nach oben.**

Die Nadel des Tonabnehmers hebt sich von der Schallplatte ab.

- Um die Wiedergabe fortzusetzen, drücken Sie den Anhebehebel nach unten.

---

---

## Beenden der Wiedergabe

**1 Ziehen Sie den Anhebehebel nach oben, damit der Tonarm zur Armstütze zurückkehrt, und drücken Sie dann den Anhebehebel nach unten.**

**2 Drücken Sie die Taste [START/STOP].**

Der Plattenteller wird mithilfe einer elektronischen Bremsvorrichtung langsam abgeschaltet.

**3 Bringen Sie den [POWER]-Schalter in die [OFF]-Position, um das Gerät auszuschalten.**

Sichern Sie den Tonarm mit der Armhalterung.

Bringen Sie die Nadelabdeckung an, um die Nadelspitze zu schützen.

---

---

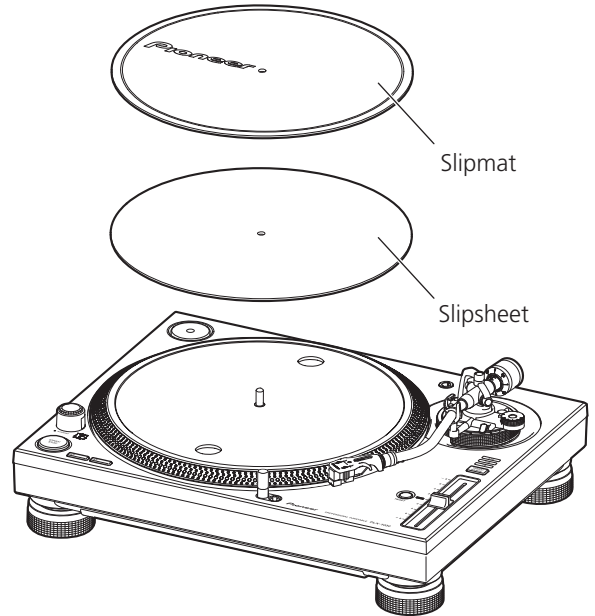
## Informationen zu Slipmat und Slipsheet

### Slipmat

Wenn Sie anstatt der Plattentellerauflage die Slipmat verwenden, können Sie die Schallplatte während der Wiedergabe von Hand anhalten oder die Schallplatte entgegen der Plattentellerdrehung wirbeln.

### Slipsheet

Wenn unter der Slipmat ein Slipsheet verwendet wird, wird das Scratching reibungsloser.



---

---

## Abspielen einer Standard-EP

Setzen Sie den EP-Adapter auf die mittlere Spindel, und drücken Sie auf die [45]-Taste.

---

---

## Beleuchtung der Nadelspitze

Wenn der Nadelbeleuchtungsschalter betätigt wurde, leuchtet die Nadelbeleuchtung in weiß und reicht bis zur Beleuchtungsposition der Nadelspitze.

- Falls dies nicht erwünscht ist, drücken Sie auf die Nadelbeleuchtung, um sie abzusenken. Der Nadelbeleuchtungsschalter erlischt.

---

---

## Anbringen der Abdeckhaube

Wenn Sie die Verwendung des Geräts beendet haben, halten Sie die Abdeckhaube an beiden Seiten fest, und setzen Sie sie direkt von oben auf das Gerät.

## Anpassen der Tonhöhe

**1 Drücken Sie auf die [RESET]-Taste, um die [RESET]-Anzeige auszuschalten.**

**2 Bewegen Sie den Schieber [TEMPO] vorwärts oder rückwärts.**

Wenn der Schieber nach vorn bewegt wird, erhöht sich die Drehzahl. Wenn der Schieber nach hinten bewegt wird, verringert sich die Drehzahl.

- Die Skala des [TEMPO]-Schiebers ist nur ein ungefährer Wert. Nutzen Sie ihn als Referenz.

**3 Drücken Sie die Taste [TEMPO RANGE].**

Der Anpassungsbereich des [TEMPO]-Schiebers ändert sich bei jedem Tastendruck. Die Anpassungsbereichsanzeige leuchtet.

Einstellwert	Einheiten der Einstellung
±8	0,016 %
±16	0,032 %
±50	0,1 %

## Rückkehr zur normalen Tonhöhe

**Drücken Sie auf die [RESET]-Taste.**

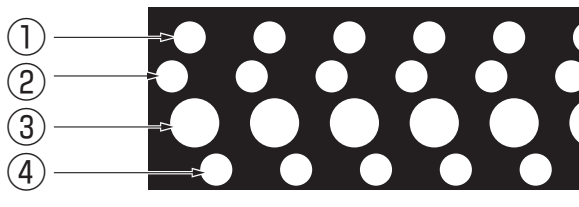
Durch Drücken auf die [RESET]-Taste wird die [RESET]-Anzeige eingeschaltet. Während die [RESET]-Anzeige leuchtet, dreht sich der Plattenteller mit angegebener Drehzahl (33 1/3 oder 45 U/Min) unabhängig von der Position des TEMPO-Schiebers.

## Tonhöhenerkennung

Die Tonhöhe kann präziser erkannt werden, indem auf die vier Reihen mit dem Stroboskopmuster rings am Plattenspieler Bezug genommen wird.

- Eine Stroboskop-Beleuchtung (blaue LED-Leuchte) erzeugt das Stroboskopmuster des Geräts. Nutzen Sie zur Tonhöhenerkennung immer die Stroboskop-Beleuchtung.

### Stroboskopmuster



- Wenn sich das Stroboskop-Muster scheinbar nicht mehr ändert  
Tonhöhenänderung von +7,2 %
- Wenn sich das Stroboskop-Muster scheinbar nicht mehr ändert  
Tonhöhenänderung von +3,3 %
- Wenn sich das Stroboskop-Muster scheinbar nicht mehr ändert  
Angegebenen Drehzahl (33 1/3 oder 45 U/Min)
- Wenn sich das Stroboskop-Muster scheinbar nicht mehr ändert  
Tonhöhenänderung von -3,3 %

# Zusätzliche Informationen

## Störungssuche

- Bedienungsfehler werden oft irrtümlich für Störungen oder Ausfälle gehalten. Wenn Sie den Eindruck haben, dass diese Komponente nicht ordnungsgemäß funktioniert, überprüfen Sie bitte die Punkte unten und **[FAQ]** für **[PLX-1000]** auf der Pioneer DJ-Support-Website: <http://pioneerdj.com/support/>  
Manchmal wird das Problem auch durch ein externes Gerät verursacht. Überprüfen Sie die anderen verwendeten Komponenten und elektrischen Geräte. Wenn Sie das Problem nicht beheben können, wenden Sie sich an die nächste Pioneer-Kundendienststelle oder an Ihren Händler zum Ausführen der Reparaturarbeit.
- Dieses Gerät kann möglicherweise aufgrund von statischer Elektrizität oder anderen externen Faktoren nicht richtig arbeiten. In diesem Fall kann richtiger Betrieb durch Ausschalten, mindestens 1 Minute Warten und dann erneutes Einschalten wieder hergestellt werden.

Problem	Prüfen	Abhilfe
Das Gerät schaltet nicht ein.	Ist das Netzkabel richtig angeschlossen?	Schließen Sie das mitgelieferte Netzkabel richtig an eine Steckdose an.
	Ist der <b>[POWER]</b> -Schalter für die Stromversorgung auf <b>[ON]</b> gestellt?	Stellen Sie den <b>[POWER]</b> -Schalter für die Stromversorgung auf <b>[ON]</b> .
Es wird kein oder nur sehr schwacher Ton erzeugt.	Sind die Audiokabel richtig angeschlossen?	Schließen Sie die Audiokabel richtig an.
	Sind Buchsen und Stecker verschmutzt?	Reinigen Sie Buchsen und Stecker vor dem Herstellen von Verbindungen.
	Ist der Tonabnehmerkopf richtig angeschlossen?	Schließen Sie den Tonkopf richtig an.
Der linke und rechte Ton sind vertauscht.	Sind die linken und rechten Anschlüsse für jedes Ausrüstungsteil vertauscht?	Verbinden Sie das Audiokabel und die Führungsdrähte des Tonabnehmerkopfs ordnungsgemäß.
	Befindet sich ein elektrisches Gerät wie eine Neonlampe oder sein Netzkabel in der Nähe des Anschlusskabels?	Verlegen Sie das Netzkabel der Neonlampe oder stellen Sie ein anderes Gerät so weit entfernt wie möglich auf.
Während der Wiedergabe ist ein tiefes Brummgeräusch (Summen oder Surren) zu hören.	Ist das Massekabel des Plattenspieler-systems getrennt?	Schließen Sie das Massekabel richtig an.
	Ist der Nadeldruck richtig eingestellt?	Stellen Sie das Gegengewicht auf den geeigneten Nadeldruckwert für Ihren Tonabnehmer ein.
Die Nadelspitze berührt nicht die Schallplatte.	Ist der Arm horizontal ausgerichtet?	Drehen Sie das Gegengewicht so weit, bis der Tonarm horizontal steht.
	Ist der Nadeldruck richtig eingestellt?	Stellen Sie das Gegengewicht auf den geeigneten Nadeldruckwert für Ihren Tonabnehmer ein.
Es treten Nadelsprünge auf.	Ist die Schallplatte verzogen oder zerkratzt?	Überprüfen Sie den Zustand der Schallplatte.
	Hat sich an der Nadelspitze viel Staub angesammelt?	Nehmen Sie den Kopf mit Tonabnehmer ab, und entfernen Sie mit einer weichen Bürste oder einem Pinsel vorsichtig jeglichen Staub usw. von der Nadelspitze.
	Ist das Anti-Skating richtig eingestellt?	Stellen Sie das Anti-Skating richtig ein.
	Ist die Armhöhe richtig eingestellt?	Stellen Sie die Armhöhe richtig ein.
	Ist die Schallplatte zerkratzt?	Überprüfen Sie den Zustand der Schallplatte.
Der Arm stoppt während der Wiedergabe und bewegt sich nicht weiter.	Berührt der Arm etwas?	Überprüfen Sie den Armbereich und entfernen Sie ein etwaiges Hindernis.
	Die Lautstärke ist zu niedrig oder zu hoch.	Wurde der Anschluss an den Verstärker ordnungsgemäß für diesen Tonabnehmer (Ausgabe) vorgenommen?

## Vorsichtshinweise

### Über Kondensation

Wassertröpfchen (Kondensation) können sich im Gerät (auf Funktionsteilen und Linsen) im Winter absetzen, zum Beispiel wenn das Gerät von einem kalten Ort in einen warmen Raum gebracht wird oder wenn die Temperatur im Raum, in dem das Gerät installiert ist, plötzlich ansteigt (durch Heizung usw.). Das Gerät funktioniert nicht richtig und kann nicht zur Wiedergabe verwendet werden, wenn sich im Inneren Kondensation gebildet hat. Lassen Sie das Gerät 1 bis 2 Stunden lang bei Raumtemperatur stehen (die genaue erforderliche Zeit ist je nach Bedingungen der Kondensation unterschiedlich), ohne es einzuschalten. Die Wassertröpfchen verdampfen, und das Gerät wird betriebsbereit. Kondensation kann auch im Sommer auftreten, z.B. wenn das Gerät dem direkten Luftstrom von einer Klimaanlage, usw. ausgesetzt ist. In diesem Fall stellen Sie das Gerät an einem anderen Ort auf.

### Transport des Geräts an einen anderen Ort

Verpacken Sie das Gerät in seine Originalverpackungsmaterialien. Wenn die Originalverpackungsmaterialien nicht mehr vorhanden ist, nehmen Sie Folgendes vor.

- Entfernen Sie die Plattentellerauflage und den Plattenteller, und verpacken Sie beide sorgfältig.
- Entfernen Sie den Tonabnehmerkopf und das Gegengewicht vom Arm, und verpacken Sie beide sorgfältig.
- Sichern Sie den Tonarm mithilfe der Armhalterung und verwenden Sie Klebeband, damit er sich nicht bewegt.
- Wickeln Sie die Haupteinheit in eine Decke oder weiches Papier, damit sie nicht beschädigt wird.

## Wartung der einzelnen Teile

Schalten Sie den Verstärker beim Anbringen und Abnehmen des Tonabnehmerkopfs aus.

Wenn Sie diesen Vorgang bei hoher Lautstärke vornehmen, könnte der Lautsprecher beschädigt werden.

- Nehmen Sie den Kopf mit Tonabnehmer ab, und entfernen Sie mit einer weichen Bürste oder einem Pinsel vorsichtig jeglichen Staub usw. von der Nadelspitze.
- Reinigen Sie Schallplatten mit einem geeigneten und hochwertigen Schallplattenreiniger.
- Reinigen Sie den Tonabnehmerkopfanschluss mit einem weichen Tuch o. ä., und befestigen Sie ihn dann erneut am Tonarm.

## Reinigen der Abdeckhaube usw.

Reinigen Sie die Abdeckhaube und das Gehäuse mit einem weichen Tuch

- Reinigen Sie die Abdeckhaube nicht während der Wiedergabe. Durch statische Elektrizität könnte die Abdeckhaube am Tonarm ziehen.

## Über Markenzeichen und eingetragene Markenzeichen

- Pioneer ist ein eingetragenes Markenzeichen der PIONEER CORPORATION.

Die hier erwähnten Produkt- oder Firmennamen sind Markenzeichen der jeweiligen Eigentümer.

## Technische Daten

Stromanforderungen .....	110 V bis 120 V oder 220 V bis 240 V Wechselspannung, 50 Hz/60 Hz
Leistungsaufnahme .....	9 W
Gewicht des Hauptgeräts .....	14,6 kg
Max. Abmessungen .....	453 mm (B) × 159 mm (H) × 353 mm (T)
Betriebstemperatur .....	+5 °C bis +35 °C
Betriebluftfeuchtigkeit .....	5 % bis 85 % (keine Kondensation)

### Plattentellereinheit

Antriebsmethode .....	Servomotor-Direktantrieb
Motor .....	3-phasiger bürstenloser Gleichstrommotor
Bremssystem .....	Elektronische Bremsvorrichtung
Drehzahl .....	33 1/3 U/Min, 45 U/Min
Drehzahl-Anpassungsbereich .....	±8 %, ±16 %, ±50 %
Gleichlaufschwankungen .....	0,01 % oder weniger WRMS
	Gemessen anhand des Signalempfangs vom integrierten Frequenzgenerator der Motorbaugruppe.
Signalrauschabstand .....	70 dB (DIN-B)
Plattenteller .....	Umfang des Aluminiumdruckgußes: 332 mm
Anlaufdrehmoment .....	4,5 kg·cm oder mehr
Anlaufzeit .....	0,3 Sekunden (bei 33 1/3 U/Min)

### Tonarmeinheit

Armtyp .....	Universaler S-förmiger Tonarm, kardanisch abgestütztes Drucklager, statischer Ausgleichstyp
Effektive Länge .....	230 mm
Überhang .....	15 mm
Spurfehler .....	Innerhalb von 3°
Armhöhe-Anpassungsbereich .....	6 mm
Variabler Nadeldruckbereich .....	0 g bis 4,0 g (1 Skala 0,1 g)
Geeignetes Tonabnehmergewicht .....	3,5 g bis 13 g (einfacher Tonabnehmer)
Bei Gebrauch eines Tonkopfgewichts .....	3,5 g bis 6,5 g
Bei Gebrauch eines Gegengewichts .....	6,0 g bis 10 g
Bei Gebrauch eines Nebengewichts .....	9,5 g bis 13 g

— Änderungen der technischen Daten und das Design dieses Geräts ohne vorherige Ankündigung bleiben vorbehalten.

— © 2014 PIONEER CORPORATION. Alle Rechte vorbehalten.

Vi ringraziamo per avere acquistato questo prodotto Pioneer. Vi preghiamo di leggere queste istruzioni per l'uso in modo da sapere usare correttamente il proprio modello. Dopo aver letto queste istruzioni, riporle in un luogo sicuro per poterle consultare di nuovo al momento del bisogno. In alcuni paesi o regioni, la forma della spina di alimentazione e della presa di corrente possono non essere quelle delle illustrazioni. Il metodo di collegamento e di uso dell'unità però non cambia.



Se si vuole eliminare questo prodotto, non gettarlo insieme ai rifiuti domestici. Esiste un sistema di raccolta differenziata in conformità alle leggi che richiedono appositi trattamenti, recupero e riciclo.

I privati cittadini dei paesi membri dell'UE, di Svizzera e Norvegia, possono restituire senza alcun costo i loro prodotti elettronici usati ad appositi servizi di raccolta o a un rivenditore (se si desidera acquistarne uno simile).

Per i paesi non citati qui sopra, si prega di prendere contatto con le autorità locali per il corretto metodo di smaltimento.

In questo modo, si è sicuri che il proprio prodotto eliminato subirà il trattamento, il recupero e il riciclo necessari per prevenire gli effetti potenzialmente negativi sull'ambiente e sulla vita dell'uomo.

K058b\_A1\_It

## ATTENZIONE

Questo apparecchio non è impermeabile. Per prevenire pericoli di incendi o folgorazioni, non posizionare nelle vicinanze di questo apparecchio contenitori pieni di liquidi (quali vasi da fiori, o simili), e non esporre l'apparecchio a sgoccioli, schizzi, pioggia o umidità.

D3-4-2-1-3\_A1\_It

## ATTENZIONE

Per evitare il pericolo di incendi, non posizionare sull'apparecchio dispositivi con fiamme vive (ad esempio una candela accesa, o simili).

D3-4-2-1-7a\_A1\_It

## Condizioni ambientali di funzionamento

Gamma ideale della temperatura ed umidità dell'ambiente di funzionamento:

da +5 °C a +35 °C, umidità relativa inferiore all'85 % (fessure di ventilazione non bloccate)

Non installare l'apparecchio in luoghi poco ventilati, o in luoghi esposti ad alte umidità o alla diretta luce del sole (o a sorgenti di luce artificiale molto forti).

D3-4-2-1-7c\*\_A1\_It

## ATTENZIONE

Questo apparecchio è dotato di una spina con messa a terra, cioè di una spina con un terzo spinotto (per la messa a terra). Questo tipo di spine si inserisce solamente in prese di corrente dello stesso tipo, cioè con attacco per messa a terra. Se non si riesce ad inserire la spina nella presa di corrente di casa, rivolgersi ad un elettricista qualificato per far sostituire la presa alla parete con una dotata di attacco per la messa a terra. Non annullare la scopo di sicurezza della spina con messa a terra.

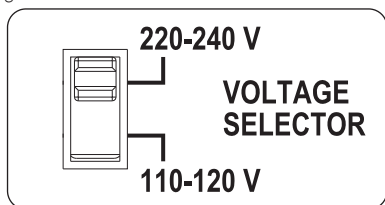
D3-4-2-1-6\_A1\_It

## Selettore della tensione

L'interruttore del selettore della tensione è posizionato sul pannello superiore nei modelli multi-tensione.

**L'impostazione di fabbrica del selettore della tensione è 220-240 V. Impostarla sulla tensione corretta del paese o regione di propria residenza.**

Prima di cambiare la tensione, scollegare il cavo di alimentazione. Utilizzare un cacciavite di medie dimensioni per configurare l'interruttore del selettore della tensione.



D3-4-2-1-5\*\_A2\_It

## ATTENZIONE

Conservare i piccoli ricambi fuori dalla portata dei bambini e dei bebè. Se inghiottiti accidentalmente, recarsi immediatamente dal medico.

D41-6-4\_A1\_It

## AVVERTIMENTO RIGUARDANTE IL FILO DI ALIMENTAZIONE

Prendete sempre il filo di alimentazione per la spina. Non tiratelo mai agendo per il filo stesso e non toccate mai il filo con le mani bagnate, perché questo potrebbe causare cortocircuiti o scosse elettriche. Non collocate l'unità, oppure dei mobili sopra il filo di alimentazione e controllate che lo stesso non sia premuto. Non annodate mai il filo di alimentazione né collegatelo con altri fili. I fili di alimentazione devono essere collocati in tal modo che non saranno calpestati. Un filo di alimentazione danneggiato potrebbe causare incendi o scosse elettriche. Controllate il filo di alimentazione regolarmente. Quando localizzate un eventuale danno, rivolgetevi al più vicino centro assistenza autorizzato della PIONEER oppure al vostro rivenditore per la sostituzione del filo di alimentazione.

S002\*\_A1\_It

## AVVERTENZA

L'interruttore principale (**POWER**) dell'apparecchio non stacca completamente il flusso di corrente elettrica dalla presa di corrente alternata di rete. Dal momento che il cavo di alimentazione costituisce l'unico dispositivo di distacco dell'apparecchio dalla sorgente di alimentazione, il cavo stesso deve essere staccato dalla presa di corrente alternata di rete per sospendere completamente qualsiasi flusso di corrente. Verificare quindi che l'apparecchio sia stato installato in modo da poter procedere con facilità al distacco del cavo di alimentazione dalla presa di corrente, in caso di necessità. Per prevenire pericoli di incendi, inoltre, il cavo di alimentazione deve essere staccato dalla presa di corrente alternata di rete se si pensa di non utilizzare l'apparecchio per periodi di tempo relativamente lunghi (ad esempio, durante una vacanza).

D3-4-2-2-2a\*\_A1\_It

## AVVERTENZA PER LA VENTILAZIONE

Installare l'apparecchio avendo cura di lasciare un certo spazio all'intorno dello stesso per consentire una adeguata circolazione dell'aria e migliorare la dispersione del calore (almeno 15 cm sulla parte superiore, 5 cm sul retro, e 5 cm su ciascuno dei lati).

D3-4-2-1-7d\*\_A1\_It

## ATTENZIONE

PER EVITARE IL RISCHIO DI SCOSSE ELETTRICHE, NON RIMUOVERE IL COPERCHIO (O IL RETRO). NON CI SONO PARTI INTERNE LA CUI MANUTENZIONE POSSA ESSERE EFFETTUATA DALL'UTENTE. IN CASO DI NECESSITÀ, RIVOLGERSI ESCLUSIVAMENTE A PERSONALE DI SERVIZIO QUALIFICATO.

D3-4-2-1-1\_B2\_It



# Indice

## Come leggere questo manuale

In questo libretto, i nomi dei pulsanti e dei terminali dell'unità principale sono indicati fra parentesi quadre ([ ]).

Esempi:

- Premere il pulsante [START/STOP].
- Se questo prodotto è collegato a un preamplificatore o a un componente che non dispone di terminale [PHONO], non sarà possibile ottenere un volume e una qualità sonora adeguati. In questo caso, utilizzare l'equalizzatore PHONO.

## 01 Prima di cominciare

Caratteristiche.....	3
Contenuto della confezione.....	3

## 02 Prima di iniziare

Informazioni sulla testina.....	4
Montaggio.....	4

## 03 Nome delle varie parti e funzioni

Pannello superiore.....	6
Pannello posteriore.....	7

## 04 Regolazione

Regolazione del bilanciamento del braccio.....	8
Regolazione della pressione della puntina.....	8
Regolazione dell'antiskating.....	9
Regolazione dell'altezza dell'alzabraccio.....	9
Regolazione dell'altezza del braccio.....	9

## 05 Collegamenti

Descrizione dei terminali.....	10
Stile di base.....	10
Posizione di installazione.....	11

## 06 Impiego

Accensione.....	12
Spegnimento.....	12
Riproduzione.....	12
Pausa della riproduzione.....	12
Arresto della riproduzione.....	12
Regolazione del pitch.....	13

## 07 Informazioni aggiuntive

Diagnostica.....	14
Precauzioni per l'uso.....	14
Manutenzione delle parti.....	14
A proposito dei marchi di fabbrica o marchi di fabbrica depositati.....	15
Dati tecnici.....	15

# Prima di cominciare

## Caratteristiche

Questa unità è un giradischi professionale che garantisce funzioni, durevolezza, facilità d'uso e qualità sonora ideali per una vasta gamma di situazioni, dall'ascolto in casa alle serate in discoteche o night club.

## Sistema ad azione diretta per una coppia maggiore

L'unità gira a una velocità costante con un fattore wow and flutter pari allo 0,1 % o meno, con una coppia iniziale di 4,5 kg·cm o più e un tempo di avvio di 0,3 secondi (33 1/3 giri).

## Progettato per garantire la migliore qualità sonora

- Per il terminale RCA è stato utilizzato un componente placcato in oro che è impiegato anche nel lettore TAD, la nostra linea di prodotti di punta. Grazie alla stabilità del collegamento, il segnale PHONO viene trasmesso direttamente.
- Gli effetti delle vibrazioni esterne vengono eliminati mediante l'uso di un materiale antivibrazione tra il cabinet superiore e quello inferiore.

## Controllo regolabile del tempo a tre livelli, molto preciso

- Il tempo può essere variato a intervalli di  $\pm 8\%$ ,  $\pm 16\%$  e  $\pm 50\%$ , al fine di ottenere una maggiore flessibilità di riproduzione.
- Se si preme il pulsante [RESET], il tempo torna immediatamente alla rotazione costante di  $\pm 0\%$ .

## Cavo di alimentazione e cavi audio scollegabili

- I cavi non ostruiscono lo spostamento dell'unità principale, eliminando in questo modo eventuali problemi in fase di scollegamento.
- Sostituendo il cavo audio è possibile personalizzare l'unità in modo che riproduca il suono preferito.

## Contenuto della confezione

- Piatto
- Piastra del piatto
- Tappetino
- Tappetino in feltro
- Copripolvere
- Adattatore per dischi EP
- Contrappeso
- Peso secondario
- Portatestina
- Peso della testina
- Cavo di alimentazione
- Cavo audio
- Filo di terra
- Garanzia (per alcune regioni)<sup>1</sup>
- Istruzioni per l'uso (questo documento)

<sup>1</sup> La garanzia acclusa vale per l'Europa.

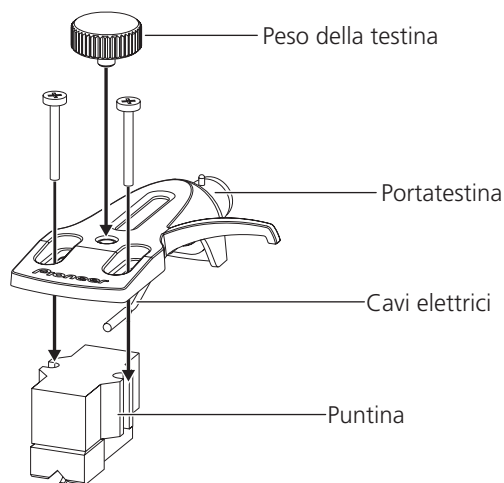
# Prima di iniziare

## Informazioni sulla testina

- La testina non è in dotazione.
- Fare riferimento al manuale di istruzioni della testina da utilizzare.

### Montaggio la testina nel portatestina.

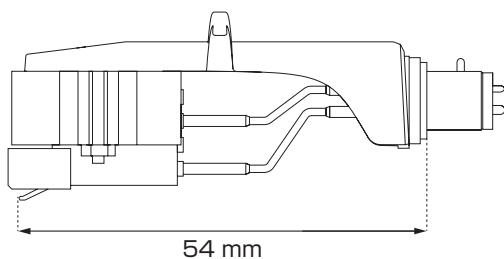
I cavi elettrici del portatestina sono identificati da colori specifici. Utilizzare delle pinzette o un utensile simile per collegare i cavi al terminale corrispondente della testina in base all'indicazione su quest'ultima.



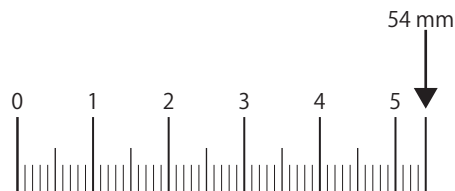
- Se si usa una testina con un peso tra 3,5 g e 6,5 g, utilizzare l'apposito peso in dotazione.

## Regolazione della sporgenza

Utilizzare la seguente scala di regolazione della sporgenza per regolare la posizione mediante la vite di fissaggio della testina in modo che l'estremità della puntina si trovi a 54 mm dal punto di attacco del braccio.



### Scala di regolazione della sporgenza

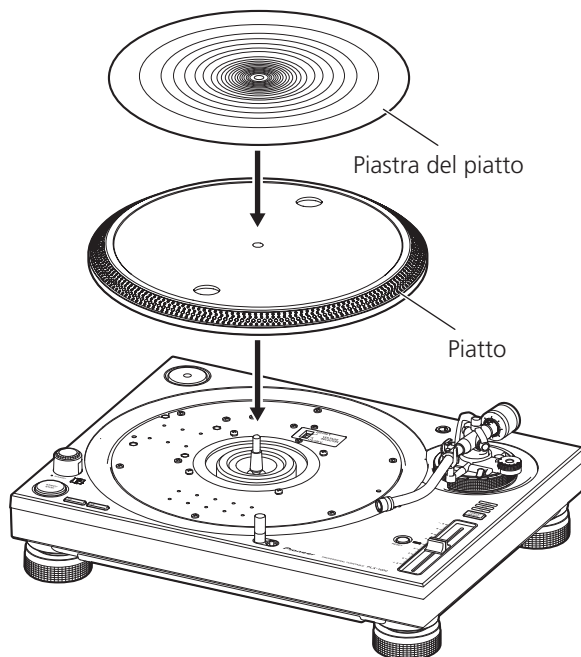


## Montaggio

### 1 Montaggio il piatto e la piastra del piatto.

Collocare il piatto sull'alberino centrale e posizionare la piastra sopra il piatto.

- Non urtare il piatto dell'unità principale e non farlo cadere.
- Accertarsi che sul magnete nel retro del piatto non siano presenti residui di acciaio o polvere.
- Non toccare la vite di fissaggio del magnete del piatto (3 posizioni). Se la posizione della vite di fissaggio dovesse cambiare, non sarebbero garantite le prestazioni dell'unità.

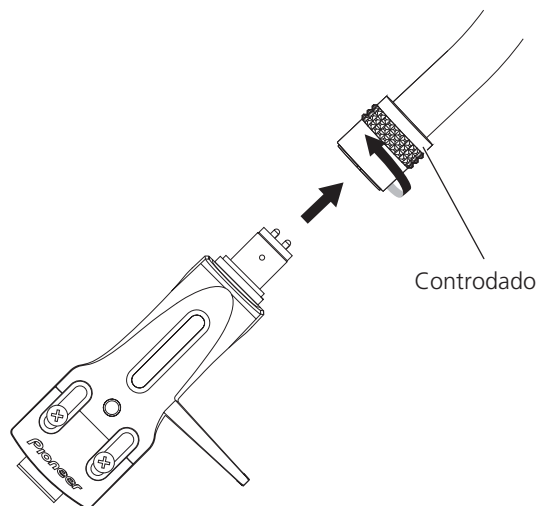


### 2 Montaggio la testina nel portatestina.

I cavi elettrici del portatestina sono identificati da colori specifici. Utilizzare delle pinzette o un utensile simile per collegare i cavi al terminale corrispondente della testina in base all'indicazione su quest'ultima.

### 3 Montaggio il portatestina.

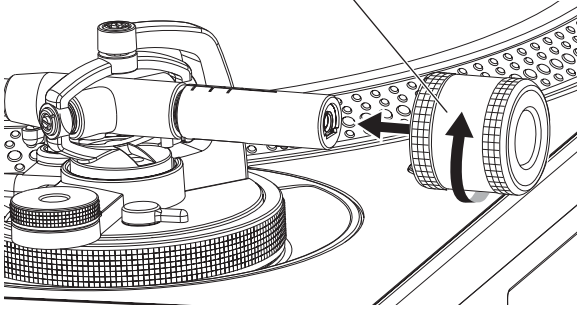
Inserire il portatestina con la testina installata nel braccio quindi, tenendo il portatestina in posizione orizzontale, stringere il controdado.



#### 4 Montaggio il contrappeso.

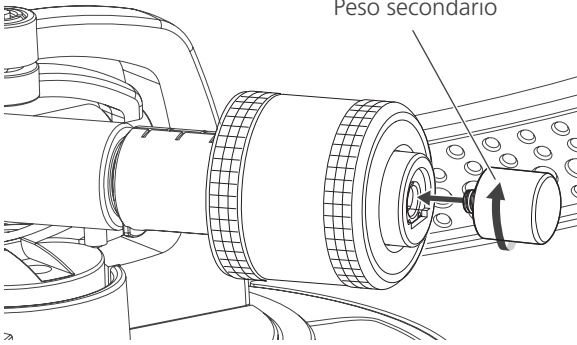
Fissare il contrappeso sul retro del braccio.

Contrappeso



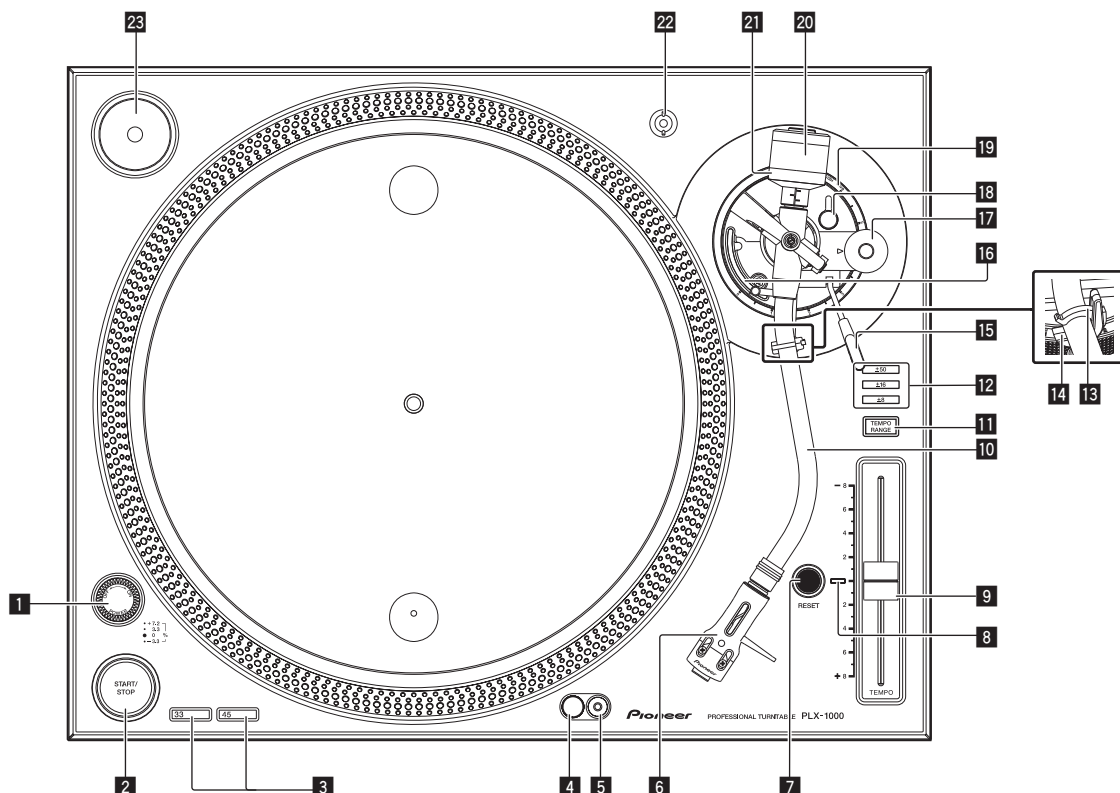
- Se si usa una testina con un peso tra 9,5 g e 13 g, fissare il peso secondario sul retro del braccio.

Peso secondario



# Nome delle varie parti e funzioni

## Pannello superiore



### 1 Interruttore POWER

Quando si porta l'interruttore in posizione [ON], l'unità si accende e la luce stroboscopica laterale si illumina.

↪ Riproduzione (p.12)

### 2 Pulsante START/STOP

Premere il pulsante per avviare o arrestare la rotazione del piatto.

↪ Riproduzione (p.12)

### 3 Pulsante di modifica della velocità

Cambia la velocità in base al disco da riprodurre.

- Per un disco a 33 1/3 giri, premere il pulsante [33].
- Per un disco a 45 giri, premere il pulsante [45].

↪ Riproduzione (p.12)

### 4 Luce della puntina

Si accende per illuminare l'estremità della puntina.

↪ Riproduzione (p.12)

### 5 Interruttore della luce della puntina

La luce della puntina si accende con un colore bianco e arriva fino alla posizione in cui l'estremità della puntina è illuminata.

↪ Riproduzione (p.12)

### 6 Portatestina

Inserire qui dentro la testina.

### 7 Pulsante RESET

### 8 Indicatore RESET

Premere il pulsante [RESET] per accendere l'indicatore [RESET]. Mentre l'indicatore [RESET] è acceso, il giradischi torna alla velocità di rotazione specificata (33 1/3 o 45 giri) a prescindere dalla posizione del cursore TEMPO.

↪ Regolazione del pitch (p.13)

### 9 Cursore TEMPO

È possibile scorrerlo avanti e indietro per regolare con precisione la velocità di rotazione.

↪ Regolazione del pitch (p.13)

### 10 Braccio

↪ Regolazione (p.8)

### 11 Pulsante TEMPO RANGE

Ogni volta che si preme il pulsante, il tempo cambia a intervalli di  $\pm 8\%$ ,  $\pm 16\%$  o  $\pm 50\%$ .

↪ Regolazione del pitch (p.13)

### 12 Indicatore TEMPO RANGE

L'indicatore del tempo impostato è di colore blu.

### 13 Bloccabraccio

Blocca il braccio.

### 14 Poggiabraccio

Serve da base di supporto per il braccio.

### 15 Leva di sollevamento

Tirare questa leva per alzare il braccio e spingerla per abbassarlo.

### 16 Alzabraccio

Dispositivo utilizzato per alzare e abbassare il braccio. È azionato dalla leva di sollevamento.

### 17 Manopola ANTI SKATING

Quando viene riprodotto un disco, viene generata una forza rotatoria che spinge la puntina verso il perimetro interno. Facendo corrispondere questa manopola al valore della pressione della puntina, questo tipo di forza viene eliminato.

↪ Regolazione dell'antiskating (p.9)

### 18 Blocco HEIGHT ADJUST

Blocca il braccio all'altezza regolata.

➔ *Regolazione dell'altezza del braccio (p.9)*

### 19 Manopola HEIGHT ADJUST

Consente di regolare l'altezza del braccio.

➔ *Regolazione dell'altezza del braccio (p.9)*

### 20 Contrappeso

Consente di bilanciare il braccio e di regolare la pressione della puntina.

➔ *Regolazione (p.8)*

### 21 Anello di regolazione della pressione della puntina

Consente di impostare la pressione adeguata della puntina della testina.

➔ *Regolazione della pressione della puntina (p.8)*

### 22 Sostegno per portatestina

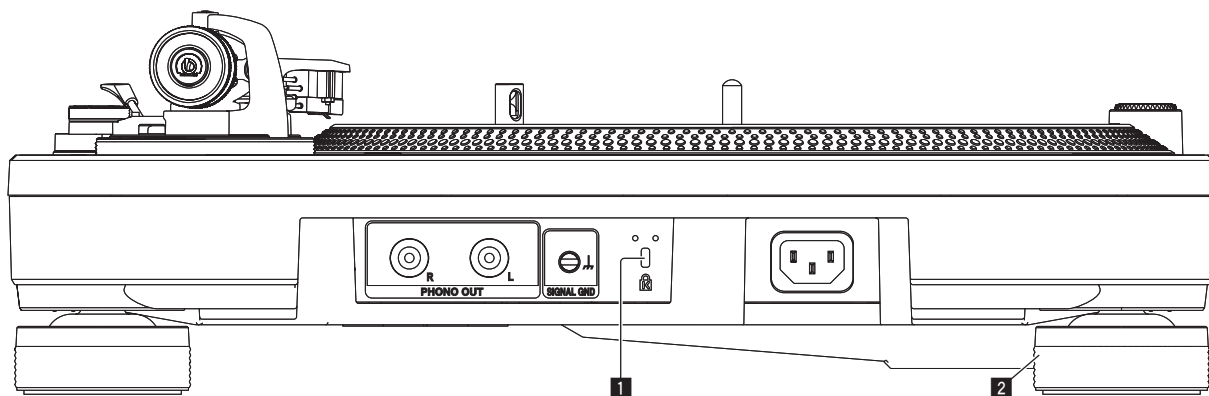
Collocare qui il portatestina.

### 23 Adattatore per dischi EP

Utilizzato per riprodurre dischi EP standard.

➔ *Per riprodurre un disco EP standard (p.12)*

## Pannello posteriore



Per i terminali da usare per i collegamenti, vedere *Descrizione dei terminali* a pagina 10.

### 1 Slot di sicurezza Kensington

### 2 Isolatore

Elimina l'effetto delle vibrazioni esterne. Se si ruota l'isolatore, è possibile regolare l'altezza del piatto.

➔ *Regolazione dell'altezza dell'unità principale (p.11)*

# Regolazione

## Regolazione del bilanciamento del braccio

- Poiché il peso della testina e del portatestina varia a seconda del prodotto, è necessario regolare il bilanciamento del braccio.

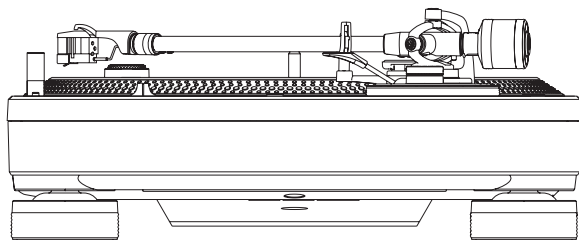
Effettuare i seguenti preparativi.

- Rimuovere il copripuntina e il bloccabraccio, facendo attenzione a non toccare l'estremità della puntina.
- Spingere la leva di sollevamento verso il basso.
- Impostare la manopola [ANTI SKATING] su "0".

### Sollevare il braccio dal portabraccio e regolare il bilanciamento in modo che si trovi in posizione orizzontale.

Ruotare il contrappeso finché il braccio non rimane in posizione quasi del tutto orizzontale.

- Quando si sposta il braccio, fare attenzione affinché l'estremità della puntina non tocchi direttamente il piatto.



## Regolazione della pressione della puntina

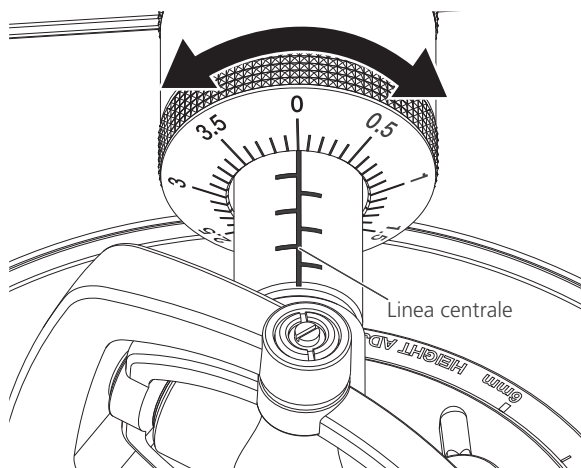
- Per impedire che la testina salti o che venga generato un suono distorto, è necessario regolare la pressione della puntina a seconda del tipo di testina.

Effettuare i seguenti preparativi.

- Riportare il braccio sul poggiabraccio e fermarlo con il bloccabraccio.

### 1 Far corrispondere lo "0" sull'anello di regolazione per la pressione della puntina con la linea centrale dell'asta posteriore del braccio.

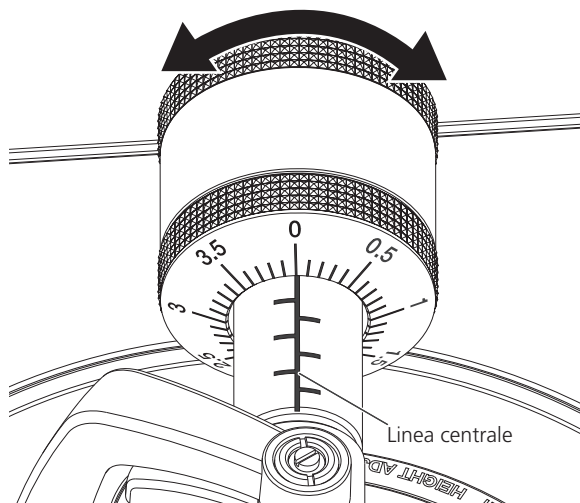
Utilizzando un dito per tenere fermo il contrappeso in modo che non si muova, ruotare l'anello di regolazione per la pressione della puntina in modo che il numero "0" si trovi sulla linea centrale nera dell'asta posteriore del braccio.



### 2 Regolare la pressione della puntina.

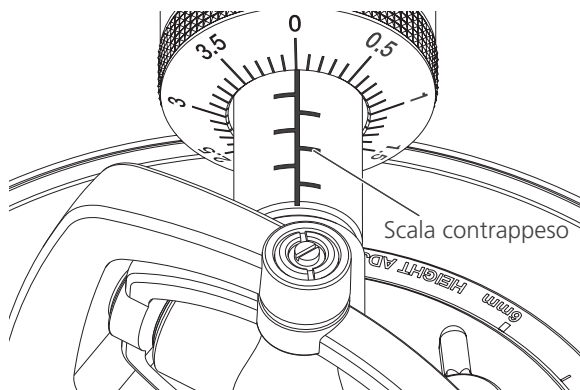
Ruotare il contrappeso per impostare il valore adeguato per la pressione della puntina a seconda della testina in uso.

- Quando si ruota il contrappeso, ruota anche l'anello di regolazione per la pressione della puntina. Mentre si osserva l'anello di regolazione, impostare la pressione della puntina sul valore appropriato.



## Utilizzo della scala di fissaggio del contrappeso

Si consiglia di ricordare la posizione della scala del contrappeso del portatestina con la testina poiché è possibile decidere la pressione adeguata della puntina impostando semplicemente la posizione predefinita della scala del contrappeso, senza dover regolare il bilanciamento orizzontale del braccio.



1 Collegare il portatestina con la testina al braccio.

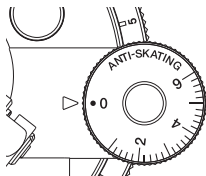
2 Utilizzando il valore impostato per il contrappeso, regolare la posizione della scala di fissaggio del contrappeso.

## Regolazione dell'antiskating

Questa regolazione consente di impedire i salti della puntina.

### Far corrispondere la posizione della scala con il valore della pressione della puntina.

Ruotare la manopola [ANTI SKATING] in modo da far corrispondere la linea di riferimento con lo stesso valore della pressione della testina.



## Se si usa la tecnica scratch

Per impedire che la puntina salti, far corrispondere la posizione della scala all'azionamento del piatto durante la riproduzione.

## Regolazione dell'altezza dell'alzabraccio

Se necessario, effettuare questa regolazione a seconda della testina in uso.

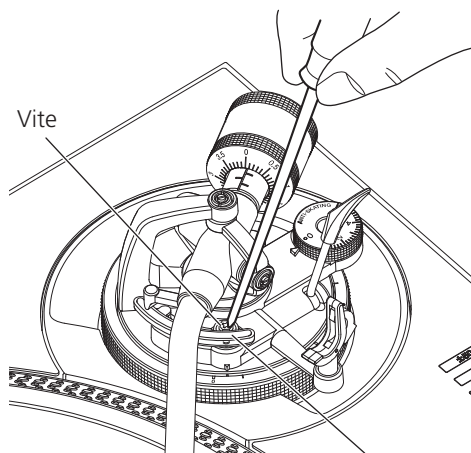
Effettuare i seguenti preparativi.

- Collocare un disco sulla piastra del piatto.
- Rimuovere il copripuntina e il bloccabraccio, facendo attenzione a non toccare l'estremità della puntina.
- Alzare la leva di sollevamento e spostare il braccio sul disco.

### Regolare l'altezza ruotando la vite mentre la leva di sollevamento è abbassata.

- Ruotare in senso orario per ridurre la distanza tra disco e puntina.
- Ruotare in senso antiorario per aumentare la distanza tra disco e puntina.

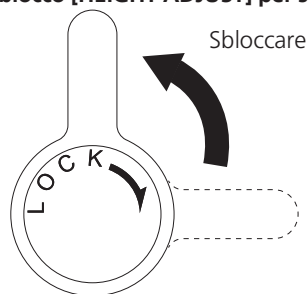
L'altezza dell'alzabraccio, ovvero la distanza tra disco e puntina quando l'alzabraccio è sollevato, è predefinita entro gli 8 mm e i 13 mm circa.



Alzabraccio

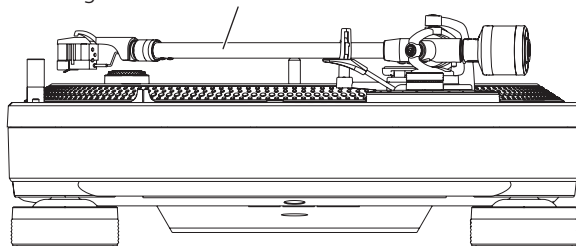
## Regolazione dell'altezza del braccio

### 1 Ruotare il blocco [HEIGHT ADJUST] per sbloccarlo.

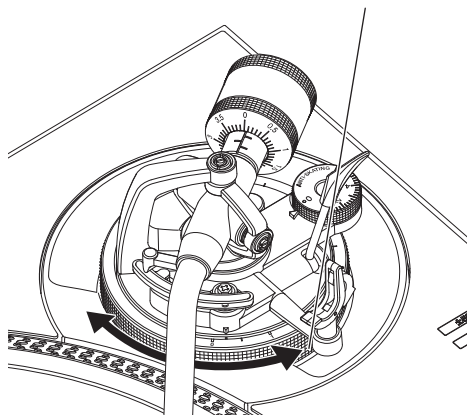


### 2 Abbassare la leva di sollevamento e collocare la puntina sul disco, quindi regolare la manopola [HEIGHT ADJUST] in modo che il braccio e il disco siano paralleli.

Regolare in modo che il braccio sia orizzontale



Manopola [HEIGHT ADJUST]



Fare riferimento alla tabella seguente per regolare la manopola [HEIGHT ADJUST] in modo da ottenere un'altezza adeguata per la testina in uso.

	Altezza testina (H) (mm)	Manopola [HEIGHT ADJUST] - posizione scala
	19	0
	20	1
	21	2
	22	3
	23	4
	24	5
	25	6

### 3 Ruotare il blocco [HEIGHT ADJUST] per fissare l'altezza del braccio.

Dopo aver regolato l'altezza del braccio, ruotare sempre il blocco [HEIGHT ADJUST] per fissare il braccio.

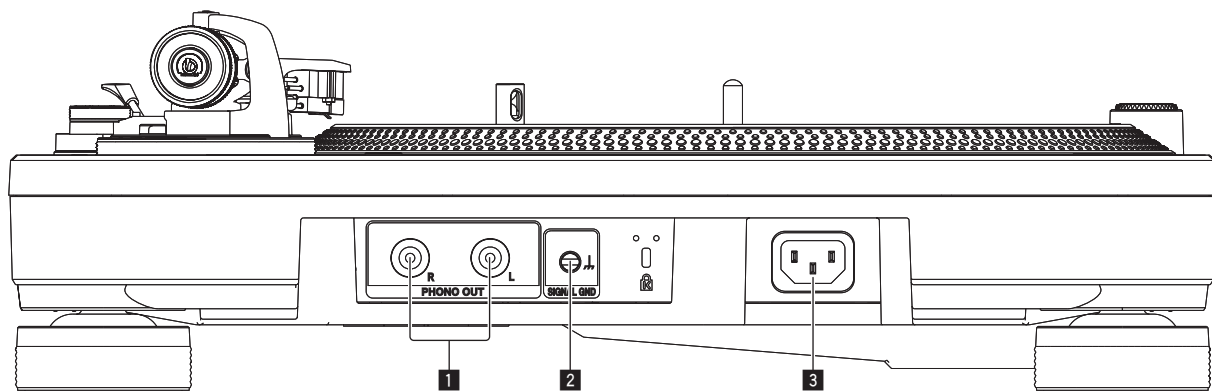
## Se si usa la tecnica scratch

Per impedire che la puntina salti, utilizzare la manopola [HEIGHT ADJUST] per far corrispondere l'altezza del braccio con l'azionamento del piatto durante la riproduzione.

# Collegamenti

- Prima di fare o modificare collegamenti, non mancare di spegnere l'apparecchio e di scollegare il cavo di alimentazione.
- Consultare le istruzioni per l'uso del componente da collegare.
- Collegare il cavo di alimentazione dopo che tutti i collegamenti fra dispositivi sono stati fatti.

## Descrizione dei terminali



### 1 Terminali PHONO OUT

Collegare qui i cavi audio (acclusi).

### 2 Terminale SIGNAL GND

Collegare il cavo di messa a terra (accessorio), utile per ridurre i disturbi quando si collega l'unità a un lettore analogico.

### 3 AC IN

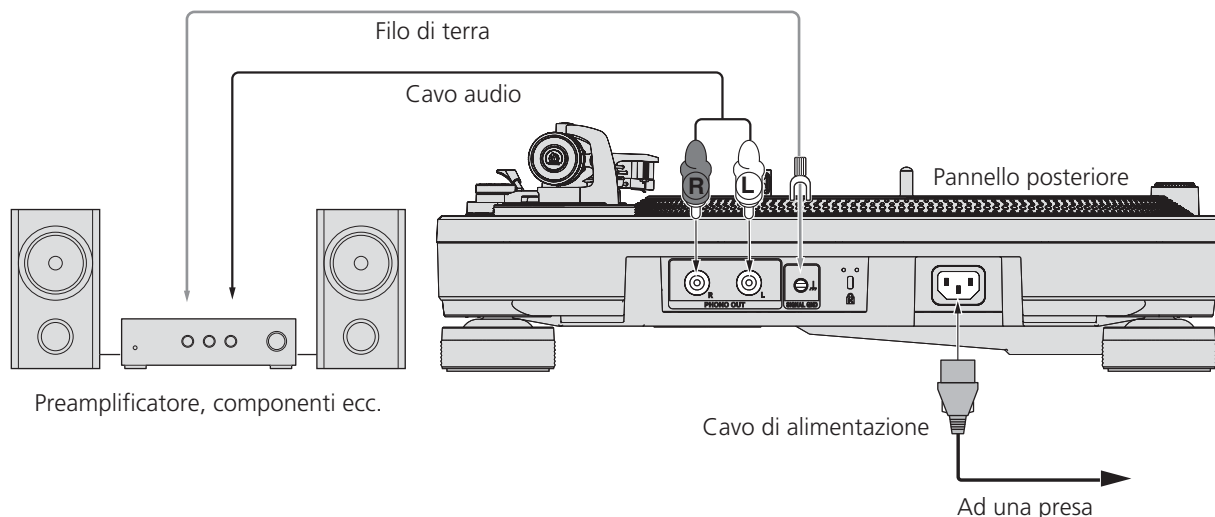
Si collega ad una presa di corrente col cavo di alimentazione accluso. Collegare il cavo di alimentazione solo a collegamenti fra unità completati.

- Usare solo il cavo di alimentazione accluso.

## Stile di base

- Si collega ad una presa di corrente col cavo di alimentazione accluso. Collegare il cavo di alimentazione solo a collegamenti fra unità completati.
- Consultare le istruzioni per l'uso del componente da collegare.

## Collegamento a un preamplificatore e a un componente



### 1 Collegare il cavo audio e quello di messa a terra al terminale di ingresso [PHONO] del preamplificatore o di un altro componente.

- Se questo prodotto è collegato a un preamplificatore o a un componente che non dispone di terminale [PHONO], non sarà possibile ottenere un volume e una qualità sonora adeguati. In questo caso, utilizzare l'equalizzatore PHONO.
- Assicurarsi collegare il cavo di messa a terra. Se l'unità non è messa a terra in modo corretto, verrà generato un rumore di sottofondo.

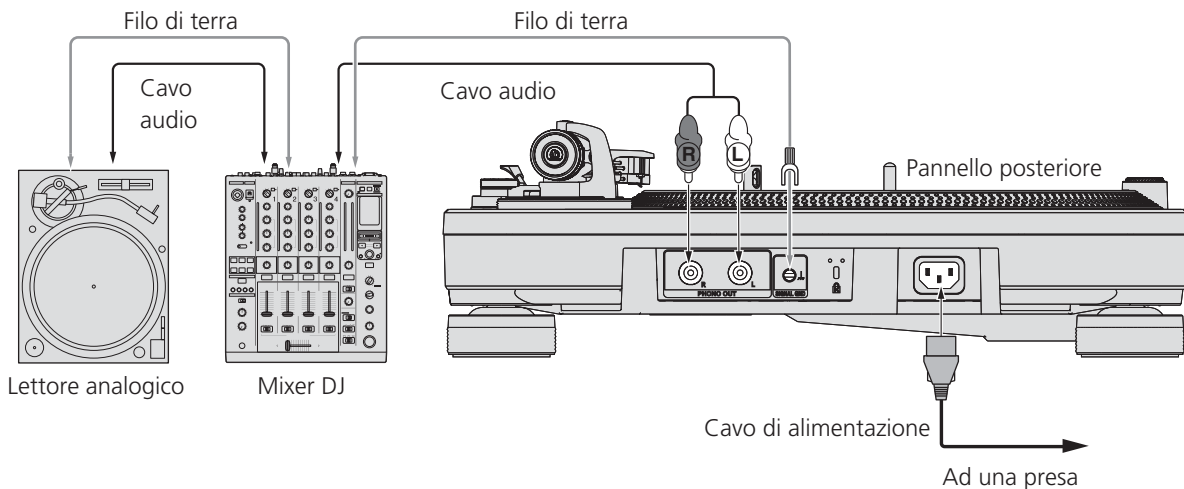
### 2 Collegare il cavo di alimentazione.

Si collega ad una presa di corrente col cavo di alimentazione accluso. Collegare il cavo di alimentazione solo a collegamenti fra unità completati.

- Prima di collegare l'unità alla presa di corrente presente sull'apparecchiatura collegata, controllare la potenza elettrica. (questa unità consuma 9 W di energia elettrica.)



## Collegamento a un mixer DJ



### 1 Collegare il cavo audio e quello di messa a terra al terminale di ingresso [PHONO] del mixer DJ.

- Se questo prodotto è collegato a un mixer DJ che non dispone di terminale [PHONO], non sarà possibile ottenere un volume e una qualità sonora adeguati.
- Assicurarsi collegare il cavo di messa a terra. Se l'unità non è messa a terra in modo corretto, verrà generato un rumore di sottofondo.

### 2 Collegare il cavo di alimentazione.

Si collega ad una presa di corrente col cavo di alimentazione accluso. Collegare il cavo di alimentazione solo a collegamenti fra unità completati.

- Prima di collegare l'unità alla presa di corrente presente sull'apparecchiatura collegata, controllare la potenza elettrica. (questa unità consuma 9 W di energia elettrica.)

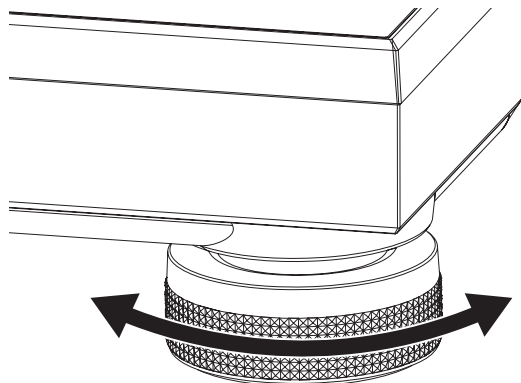
## Posizione di installazione

Collocare l'unità su una superficie piana, in modo che non sia soggetta a vibrazioni esterne.

- Per quanto possibile, tenere l'unità lontana dagli altoparlanti.
- Se l'unità è molto vicina a una radio che trasmette nelle frequenze AM/FM, questa potrebbe generare dei disturbi. Tenere l'unità quanto più possibile lontana dalla radio.

## Regolazione dell'altezza dell'unità principale

Per regolare l'altezza, ruotare l'isolatore in modo che l'unità principale sia in posizione orizzontale.



---

---

# Impiego

---

---

## Accensione

**1 Stabilire tutti i collegamenti e inserire il cavo di alimentazione a una presa di corrente.**

➔ *Collegamenti* (p.10)

**2 Portare l'interruttore [POWER] in posizione [ON] per accendere l'unità.**

Gli indicatori di questa unità si accendono ed essa si accende.

---

---

## Spegnimento

**Portare l'interruttore [POWER] in posizione [OFF] per spegnere l'unità.**

Questa unità si spegne.

---

---

## Riproduzione

Effettuare i seguenti preparativi.

- Collocare un disco sul piatto.
- Rimuovere il copristina e il bloccabraccio.

**1 Portare l'interruttore [POWER] in posizione [ON] per accendere l'unità.**

**2 Premere il pulsante [START/STOP].**

Il piatto inizia a girare.

**3 Premere il pulsante [RESET].**

L'indicatore [RESET] diventa di colore giallo-verde e la velocità torna a essere quella prescritta (33 1/3 o 45 giri).

**4 Alzare la leva di sollevamento e spostare il braccio sul disco.**

**5 Spingere la leva di sollevamento verso il basso.**

Il braccio scende lentamente e il disco viene riprodotto.

---

---

## Pausa della riproduzione

**Spingere la leva di sollevamento verso l'alto.**

La puntina della testina si stacca dal disco.

- Per riprendere la riproduzione, spingere la leva di sollevamento verso il basso.

---

---

## Arresto della riproduzione

**1 Alzare la leva di sollevamento per riportare il braccio sul poggibraccio, quindi spingere la leva di sollevamento verso il basso.**

**2 Premere il pulsante [START/STOP].**

Il freno elettronico del piatto fa sì che venga arrestato in modo graduale.

**3 Portare l'interruttore [POWER] in posizione [OFF] per spegnere l'unità.**

Utilizzare il bloccabraccio per tenere bloccato il braccio.

Fissare il copristina per proteggere la testina.

---

---

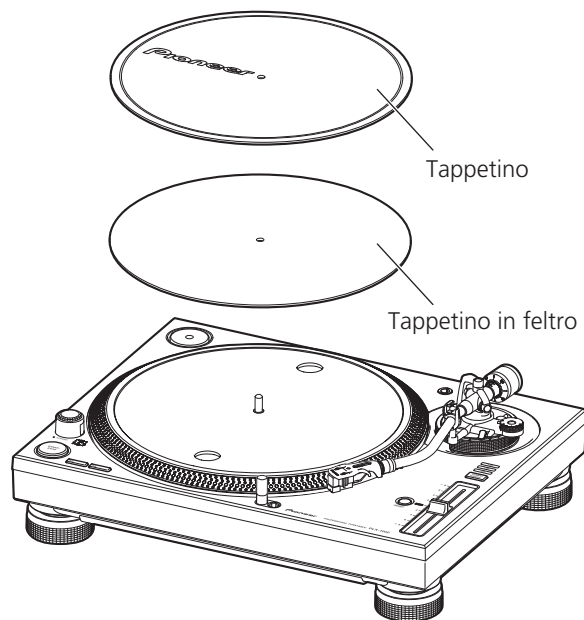
## Informazioni su tappetino e tappetino in feltro

### Tappetino

Se si usa un tappetino invece della piastra del piatto, è possibile fermare il disco con la mano mentre viene riprodotto o anche far girare il piatto al contrario.

### Tappetino in feltro

Se si usa un tappetino in feltro sotto il tappetino, è più facile utilizzare la tecnica scratch.



---

---

## Per riprodurre un disco EP standard

Collocare l'adattatore per dischi EP nell'alberino centrale e premere il pulsante [45].

---

---

## Illuminazione dell'estremità della puntina

Quando si preme l'apposito interruttore, la luce della puntina si accende con un colore bianco e arriva fino alla posizione in cui l'estremità della puntina è illuminata.

- Se non è necessario, premere l'interruttore della luce della puntina per spegnerla.

---

---

## Collocamento del coperchio antipolvere

Quando non si deve usare più l'unità, tenere il coperchio antipolvere da entrambi i lati e collocarlo direttamente sopra l'unità.

## Regolazione del pitch

**1 Premere il pulsante [RESET] per spegnere l'indicatore [RESET].**

**2 Muovere [TEMPO] in avanti o indietro.**

Spostare il cursore in avanti per aumentare la velocità di rotazione oppure indietro per diminuirla.

- La scala del cursore [TEMPO] è indica un valore approssimativo, che va usato solo come riferimento.

**3 Premere il pulsante [TEMPO RANGE].**

La gamma di regolazione del cursore [TEMPO] cambia ogni volta che si preme il pulsante e l'indicatore della gamma di regolazione si accende.

Valore impostato	Unità di regolazione
±8	0,016 %
±16	0,032 %
±50	0,1 %

## Ripristino del pitch normale

**Premere il pulsante [RESET].**

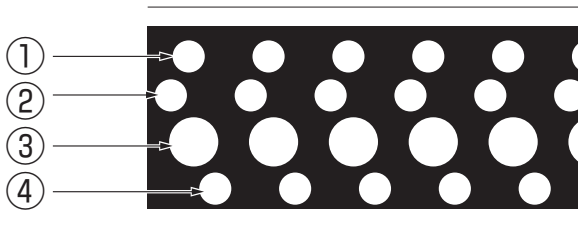
Premere il pulsante [RESET] per accendere l'indicatore [RESET]. Mentre l'indicatore [RESET] è acceso, il giradischi torna alla velocità di rotazione specificata (33 1/3 o 45 giri) a prescindere dalla posizione del cursore TEMPO.

## Rilevamento del pitch

È possibile rilevare un pitch più esatto osservando le quattro righe dei disegni stroboscopici presenti intorno al piatto.

- La luce stroboscopica (LED blu) illumina il disegno stroboscopico dell'unità. Utilizzare sempre questa luce stroboscopica quando si desidera rilevare il pitch.

### Disegno stroboscopico



- ① Quando il disegno stroboscopico sembra fermo +7,2 % il pitch cambia
- ② Quando il disegno stroboscopico sembra fermo +3,3 % il pitch cambia
- ③ Quando il disegno stroboscopico sembra fermo Velocità di rotazione specificata (33 1/3 giri o 45 giri)
- ④ Quando il disegno stroboscopico sembra fermo -3,3 % il pitch cambia

# Informazioni aggiuntive

## Diagnostica

- L'uso scorretto dell'apparecchio viene spesso scambiato per un guasto. Se si ritiene che questa unità abbia qualche guasto, controllare i punti seguenti e le [FAQ] del [PLX-1000] sul sito di supporto DJ di Pioneer.  
<http://pioneerdj.com/support/>  
A volte il problema risiede in un altro componente. Controllare tutti i componenti ed apparecchi elettronici usati. Se il problema non può venire eliminato, chiedere assistenza tecnica al più vicino centro assistenza o rivenditore autorizzato Pioneer.
- Questa unità può non funzionare a causa di elettricità statica o altre influenze esterne. In questo caso, il funzionamento corretto dovrebbe tornare spegnendo questa unità, attendendo un minuto e riaccende.

Problema	Controllare	Rimedio
L'apparecchio non è acceso.	Il cavo di alimentazione è collegato correttamente? L'interruttore [POWER] di alimentazione è impostato su [ON]?	Collegare bene il cavo di alimentazione accluso ad una presa di corrente. Impostare l'interruttore [POWER] di alimentazione su [ON].
Audio assente o insufficiente.	I cavi audio sono collegati correttamente? I terminali o gli spinotti sono sporchi? Il portatestina è collegato correttamente?	Collegare correttamente i cavi audio. Pulire i terminali e gli spinotti prima di procedere con i collegamenti. Collegare il portatestina in modo adeguato.
L'audio di sinistra e quello di destra sono invertiti.	I collegamenti per i canali sinistro e destro di ogni apparecchiatura sono invertiti?	Collegare correttamente i cavi audio e i cavi elettrici del portatestina.
Durante la riproduzione si ascoltano dei disturbi di sottofondo.	Vicino al cavo di collegamento è presente un dispositivo elettronico come una lampada fluorescente o il rispettivo cavo di alimentazione? Il cavo di messa a terra del giradischi è scollegato?	Collocare il più lontano possibile il cavo di alimentazione della lampada fluorescente o di qualsiasi altro dispositivo. Collegare correttamente il cavo di messa a terra.
La puntina non scende sul disco.	La pressione della puntina è stata regolata in modo adeguato? Il braccio è bilanciato orizzontalmente?	Fa corrispondere il contrappeso con il valore adeguato per la pressione della puntina a seconda della testina in uso. Ruotare il contrappeso finché il braccio non rimane in posizione orizzontale.
La puntina salta.	La pressione della puntina è stata regolata in modo adeguato? Il disco è distorto o graffiato? Sulla puntina è presente molta polvere? L'antiskating è regolato correttamente? L'altezza del braccio è regolata correttamente?	Fa corrispondere il contrappeso con il valore adeguato per la pressione della puntina a seconda della testina in uso. Controllare lo stato del disco. Rimuovere il portatestina con la testina e utilizzare un pennellino con punta morbida per rimuovere polvere e residui simili dalla puntina. Regolare l'antiskating in modo corretto. Regolare l'altezza del braccio in modo corretto.
Il braccio si ferma e non avanza.	Il disco è graffiato? Il braccio entra a contatto con qualcosa?	Controllare lo stato del disco. Controllare la zona del braccio e, se è presente qualche ostacolo, rimuoverlo.
Il volume è troppo basso o troppo alto.	Il collegamento all'amplificatore è adeguato al tipo di testina (uscita)?	Collegare correttamente i cavi di collegamento.

## Precauzioni per l'uso

### La condensa

In inverno, all'interno dell'unità (sulle parti in funzione e sulle lenti) si potrebbero formare delle goccioline di acqua (condensa), ad esempio, se l'unità viene spostata da un luogo freddo ad una stanza calda oppure se la temperatura della stanza in cui l'unità è installata sale improvvisamente (col riscaldamento, ecc.). Con della condensa all'interno, l'unità non sarà in grado di funzionare in modo appropriato e la riproduzione risulterà impossibile. Lasciare l'unità a riposo da 1 a 2 ore a temperatura ambiente (per quanto questo tempo dipenda dalle condizioni di condensa) senza attivare l'alimentazione. Le goccioline d'acqua evaporeranno e la riproduzione sull'unità diverrà nuovamente possibile. La condensa può formarsi anche in estate se l'unità viene esposta direttamente al flusso d'aria di un condizionatore, ecc. Se ciò dovesse accadere, spostare l'unità in una posizione diversa.

### Spostamento e trasporto dell'unità

Utilizzare il materiale originale per imballare l'unità.  
Se il materiale di imballaggio originale non è disponibile, effettuare le seguenti operazioni.

- Staccare la piastra e il piatto e imballarli con cura.

- Staccare il portatestina e il contrappeso e imballarli con cura.
- Utilizzare il bloccabraccio per tenere fermo il braccio e applicare anche del nastro adesivo in modo che non si muova.
- Avvolgere l'unità principale con un panno o un foglio di carta morbida in modo che non venga danneggiato.

## Manutenzione delle parti

Quando si collega e si scollega il portatestina, spegnere l'amplificatore. Se si dovessero eseguire queste operazioni mentre il volume è alto, gli altoparlanti potrebbero danneggiarsi.

- Rimuovere il portatestina con la testina e utilizzare un pennellino con punta morbida per rimuovere polvere e residui simili dalla puntina.
- Utilizzare un prodotto di buona qualità per pulire i dischi.
- Utilizzare un panno morbido o un altro prodotto simile per pulire il terminale del portatestina, quindi riattaccarlo al braccio.

### Pulizia del coperchio antipolvere e di altre parti

Utilizzare un panno morbido per pulire il coperchio antipolvere e il cabinet

- Non pulire il coperchio antipolvere durante la riproduzione di un disco. L'elettricità statica potrebbe far sì che il braccio venga attratto verso il coperchio antipolvere.

---

---

## A proposito dei marchi di fabbrica o marchi di fabbrica depositati

- Pioneer è un marchio di fabbrica depositato della PIONEER CORPORATION.

I nomi delle aziende e dei prodotti menzionati sono marchi di fabbrica dei rispettivi proprietari.

---

---

### Dati tecnici

Requisiti di alimentazione.....	CA da 110 V a 120 V o da 220 V a 240 V, 50 Hz/60 Hz
Consumo di corrente.....	9 W
Peso unità principale.....	14,6 kg
Dimensioni massime.....	453 mm (L) × 159 mm (A) × 353 mm (P)
Temperature di funzionamento tollerabili.....	Da +5 °C a +35 °C
Umidità di funzionamento tollerabile.....	Da 5 % a 85 % (senza condensa)

### Piatto

Metodo di azionamento.....	Trazione diretta con servomotore
Motore.....	Motore CC brushless a tre fasi
Impianto frenante.....	Freno elettronico
Velocità di rotazione.....	33 1/3 giri, 45 giri
Gamma di regolazione della velocità di rotazione.....	±8 %, ±16 %, ±50 %
Wow and flutter.....	0,01 % o meno WRMS
Valore misurato ottenendo il segnale dal generatore di frequenza integrato del gruppo motore.	
Rapporto S/N.....	70 dB (DIN-B)
Piatto.....	In alluminio pressofuso Diametro: 332 mm
Coppia di avvio.....	4,5 kg·cm o più
Tempo di avvio.....	0,3 secondi (a 33 1/3 giri)

### Braccio

Tipo di braccio.....	Braccio a S di tipo universale, struttura con supporto a bilanciere, tipo di bilanciamento statico
Lunghezza effettiva.....	230 mm
Sporgenza.....	15 mm
Errore di tracciamento.....	Entro 3°
Gamma di regolazione dell'altezza del braccio.....	6 mm
Gamma variabile di pressione della puntina.....	Da 0 g a 4,0 g (1 scala di 0,1 g)
Peso adeguato della testina.....	Da 3,5 g a 13 g (singola testina)
Se si usa il peso del portatestina.....	Da 3,5 g a 6,5 g
Se si usa solo il contrappeso.....	Da 6,0 g a 10 g
Se si usa il peso secondario.....	Da 9,5 g a 13 g
— I dati tecnici ed il design di questo prodotto sono soggetti a modifiche senza preavviso.	
— © 2014 PIONEER CORPORATION. Tutti i diritti riservati.	

Hartelijk dank voor uw aankoop van dit Pioneer product. Lees deze gebruiksaanwijzing aandachtig door om bekend te raken met de juiste bediening van uw apparaat. Na het doorlezen van de gebruiksaanwijzing dient u deze te bewaren op een veilige plaats, voor latere naslag. In bepaalde landen of gebieden kan de vorm van de netsnoerstekker en het stopcontact verschillen van de afbeeldingen bij de onderstaande uitleg. De aansluitmethode blijft overigens gelijk, evenals de bediening van het apparaat.



Deponeer dit product niet bij het gewone huishoudelijk afval wanneer u het wilt verwijderen. Er bestaat een speciaal wettelijk voorgeschreven verzamelstelsel voor de juiste behandeling, het opnieuw bruikbaar maken en de recycling van gebruikte elektronische producten.

In de lidstaten van de EU, Zwitserland en Noorwegen kunnen particulieren hun gebruikte elektronische producten gratis bij de daarvoor bestemde verzamelplaatsen of een verkooppunt (indien u aldaar een gelijkwaardig nieuw product koopt) inleveren.

Indien u zich in een ander dan bovengenoemd land bevindt kunt u contact opnemen met de plaatselijke overheid voor informatie over de juiste verwijdering van het product.

Zodoende zorgt u ervoor dat het verwijderde product op de juiste wijze wordt behandeld, opnieuw bruikbaar wordt gemaakt, gerecycleerd en het niet schadelijk is voor de gezondheid en het milieu.

K058b\_A1\_NI

## WAARSCHUWING

Dit apparaat is niet waterdicht. Om brand of een elektrische schok te voorkomen, mag u geen voorwerp dat vloeistof bevat in de buurt van het apparaat zetten (bijvoorbeeld een bloemenvaas) of het apparaat op andere wijze blootstellen aan waterdruppels, opspattend water, regen of vocht.

D3-4-2-1-3\_A1\_NI

## WAARSCHUWING

Om brand te voorkomen, mag u geen open vuur (zoals een brandende kaars) op de apparatuur zetten.

D3-4-2-1-7a\_A1\_NI

## Gebruiksomgeving

Temperatuur en vochtigheidsgraad op de plaats van gebruik:

+5 °C tot +35 °C, minder dan 85 % RH (ventilatieopeningen niet afgedekt)

Zet het apparaat niet op een slecht geventileerde plaats en stel het apparaat ook niet bloot aan hoge vochtigheid of direct zonlicht (of sterke kunstmatige verlichting).

D3-4-2-1-7c\*\_A1\_NI

## WAARSCHUWING

Dit apparaat is uitgerust met een drie-draden (geaarde) stekker – de stekker heeft dus een derde pen (aardpen). Deze stekker past alleen in een geaard stopcontact. Als u de stekker niet in het stopcontact kunt steken, moet u contact opnemen met een bevoegde elektricien om het stopcontact te laten vervangen door een geaard stopcontact. Verwijder nooit de aardbeveiliging van de stekker.

D3-4-2-1-6\_A1\_NI

### LET OP

De **POWER** schakelaar van dit apparaat koppelt het apparaat niet volledig los van het lichtnet. Aangezien er na het uitschakelen van het apparaat nog een kleine hoeveelheid stroom blijft lopen, moet u de stekker uit het stopcontact halen om het apparaat volledig van het lichtnet los te koppelen. Plaats het apparaat zodanig dat de stekker in een noodgeval gemakkelijk uit het stopcontact kan worden gehaald. Om brand te voorkomen, moet u de stekker uit het stopcontact halen wanneer u het apparaat langere tijd niet denkt te gebruiken (bijv. wanneer u op vakantie gaat).

D3-4-2-2-2a\*\_A1\_NI

### LET OP

OM HET GEVAAR VOOR EEN ELEKTRISCHE SHOCK TE VOORKOMEN, DEKSEL (OF RUG) NIET VERWIJDEREN. AAN DE BINNENZIJDE BEVINDEN ZICH GEEN ELEMENTEN DIE DOOR DE GEBRUIKER KUNNEN BEDIEND WORDEN. ENKEL DOOR GEKwalificeerd personeel te bedienen.

D3-4-2-1-1\_B2\_NI

## WAARSCHUWING NETSNOER

Pak het netsnoer beet bij de stekker. Trek de stekker er niet uit door aan het snoer te trekken en trek nooit aan het netsnoer met natte handen aangezien dit kortsluiting of een elektrische schok tot gevolg kan hebben. Plaats geen toestel, meubelstuk o.i.d. op het netsnoer, en klem het niet vast. Maak er nooit een knoop in en verbind het evenmin met andere snoeren. De netsnoeren dienen zo te worden geleid dat er niet per ongeluk iemand op gaat staan. Een beschadigd netsnoer kan brand of een elektrische schok veroorzaken. Controleer het netsnoer af en toe. Wanneer u de indruk krijgt dat het beschadigd is, dient u bij uw dichtstbijzijnde erkende PIONEER onderhoudscentrum of uw dealer een nieuw snoer te kopen.

S002\*\_A1\_NI

## BELANGRIJKE INFORMATIE BETREFFENDE DE VENTILATIE

Let er bij het installeren van het apparaat op dat er voldoende vrije ruimte rondom het apparaat is om een goede doorstroming van lucht te waarborgen (tenminste 15 cm boven, 5 cm achter en 5 cm aan de zijkanten van het apparaat).

D3-4-2-1-7d\*\_A1\_NI

## WAARSCHUWING

Berg kleine onderdelen op buiten het bereik van kinderen en peuters. Raadpleeg onmiddellijk een arts indien kleine onderdelen per ongeluk worden ingeslikt.

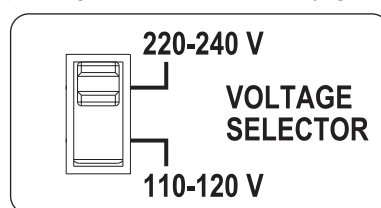
D41-6-4\_A1\_NI

## Spanningskeuzeschakelaar

De spanningskeuzeschakelaar bevindt zich op het bovenpaneel van modellen die geschikt zijn voor verschillende voltages.

**De fabrieksinstelling van de spanningskeuzeschakelaar is 220-240 V. Stel hem in op de juiste spanning voor uw land of gebied.**

Ontkoppel het netsnoer voordat u de spanning wijzigt. Gebruik een middelgrote schroevendraaier om de stand van de spanningskeuzeschakelaar te wijzigen.



D3-4-2-1-5\*\_A2\_NI

---

---

# Inhoud

## Opmerkingen over deze handleiding

Ik dit boekje staan de namen van de toetsen en aansluitingen van het hoofdtoestel tussen vierkante haakjes ([ ]).

Voorbeelden:

- Druk op de **[START/STOP]** knop.
- Als dit product wordt aangesloten op een pre-hoofdversterker of component zonder een **[PHONO]**-aansluiting, kunnen niet voldoende volume en geluidskwaliteit worden verkregen. Gebruik in dat geval de PHONO-equalizer.

## 01 Alvorens te beginnen

Kenmerken .....	3
Inhoud van de doos .....	3

## 02 Voordat u begint

Het element .....	4
Montage .....	4

## 03 Overzicht van de bedieningstoetsen

Bovenpaneel .....	6
Achterpaneel .....	7

## 04 Aanpassingen

De balans van de arm aanpassen .....	8
De naaldruk aanpassen .....	8
Anti-skating aanpassen .....	8
De hoogte van de armlift aanpassen .....	9
De hoogte van de arm aanpassen .....	9

## 05 Aansluitingen

Beschrijving van de aansluitingen .....	10
Basisstijl .....	10
Geschikte opstelling .....	11

## 06 Bediening

Inschakelen van de stroom .....	12
Uitschakelen van de stroom .....	12
Afspelen .....	12
Het afspelen pauzeren .....	12
Het afspelen beëindigen .....	12
De toonhoogte aanpassen .....	13

## 07 Aanvullende informatie

Verhelpen van storingen .....	14
Voorzorgen bij het gebruik .....	14
Onderhoud van de onderdelen .....	14
Over handelsmerken en gedeponeerde handelsmerken .....	15
Specificaties .....	15

---

---

# Alvorens te beginnen

---

## Kenmerken

Dit product is een professionele draaitafel die dankzij zijn functies, duurzaamheid, bedieningsmogelijkheden en geluidskwaliteit geschikt is voor gebruik in uiteenlopende situaties, van thuis tot in een disco of club.

---

## Directe aandrijving met een hoog torsiemoment

Het toestel draait met een constante snelheid met 0,1 % of minder wov en flutter, een startkoppel van 4,5 kg·cm of meer en een starttijd van 0,3 seconden (bij 33 1/3 tpm).

---

## Ontworpen voor hoge geluidskwaliteit

- Voor de RCA-aansluiting hebben we een goudgelaagde component gebruikt van hetzelfde product als de TAD-speler, ons meest voor-aanstaande merk. Het PHONO-sigitaal wordt direct overgebracht via een stabiele aansluiting.
- Externe trillingen worden onderdrukt door buffermateriaal tussen de boven- en onderkast.

---

## Nauwkeurige temporegeling met 3 niveaus

- Je kunt de tempovariatie instellen op  $\pm 8\%$ ,  $\pm 16\%$  en  $\pm 50\%$ . Dit zorgt voor uiterst flexibele afspeelmogelijkheden.
- Als je op de knop **[RESET]** drukt, keert het tempo onmiddellijk terug naar constante rotatie met  $\pm 0\%$ .

---

## Afneembare voedingskabel en audiokabels

- Kabels zijn geen obstakels als je het hoofdtoestel verplaatst, en je hebt dus geen ontkoppelproblemen.
- Door de audiokabel te vervangen, kun je het toestel aanpassen om je favoriete geluid te leveren.

---

## Inhoud van de doos

- Draaitafel
- Draaitafelblad
- Slipmat
- Slipblad
- Stofhoes
- Adapter voor EP-platen
- Contragewicht
- Subgewicht
- Kopshell
- Shellgewicht
- Stroomsnoer
- Audiokabel
- Aardingsdraad
- Garantie (voor bepaalde regio's)<sup>[1]</sup>
- Handleiding (dit document)

[1] De meegeleverde garantie is geldig voor de Europese regio.

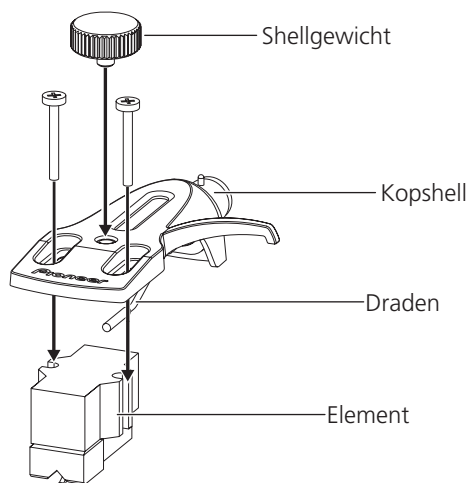
# Voordat u begint

## Het element

- Het element wordt niet meegeleverd.
- Raadpleeg de instructiehandleiding van het element.

### Bevestig het element aan de kopshell.

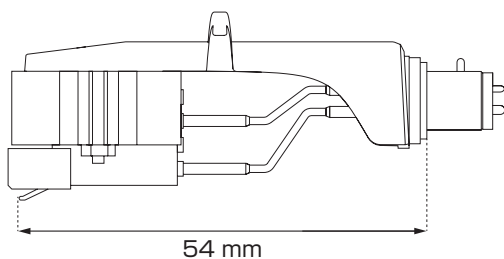
De draden van de kopshell zijn met kleuren gecodeerd. Verbind de draden met de juiste aansluiting op het element. Volg de aanwijzingen op het element en gebruik een pincet of gelijksoortig gereedschap.



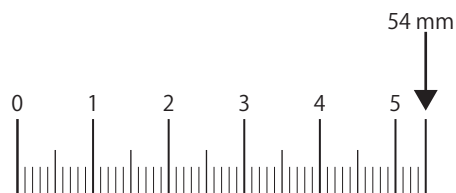
- Als het element tussen 3,5 g en 6,5 g weegt, moet je het meegeleverde shellgewicht gebruiken.

## De overhang aanpassen

Pas de overhangpositie aan met de bevestigingsschroef voor het element. Gebruik daarbij de volgende meetschaal. De naaldpunt moet uitkomen op een positie 54 mm van het bevestigingsdeel van de arm.



### Meetschaal voor aanpassing van de overhang

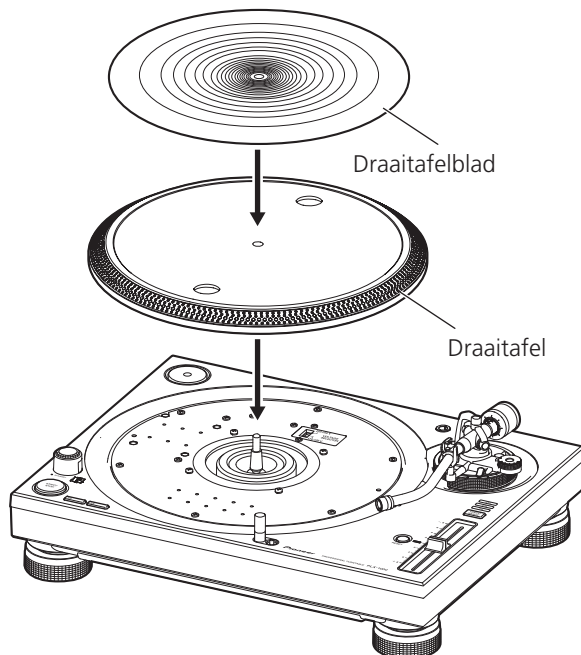


# Montage

## 1 Bevestig de draaitafel en het draaitafelblad.

Plaats de draaitafel op de middenas, en het draaitafelblad op de draaitafel.

- Let op dat je niet met de draaitafel tegen het hoofdtoestel stoot en het niet laat vallen.
- Controleer of er geen ijzerpoeder of ander stof kleef aan de magneet aan de achterzijde van de draaitafel.
- Raak de magneetbevestigingsschroef van de draaitafel niet aan (3 plaatsen). Als de bevestigingsschroef van positie verandert, kunnen de nominale prestaties niet worden gegarandeerd.

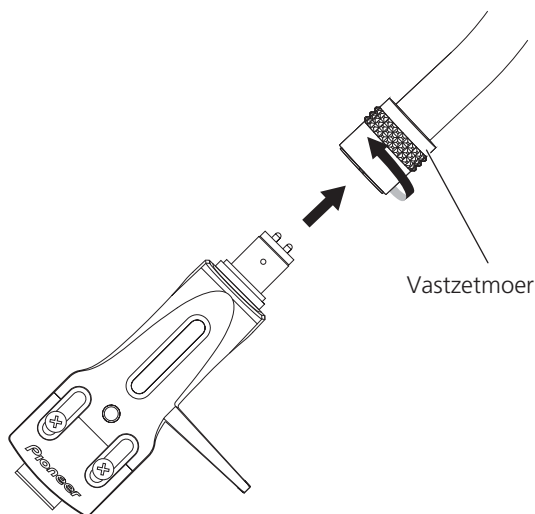


## 2 Bevestig het element aan de kopshell.

De draden van de kopshell zijn met kleuren gecodeerd. Verbind de draden met de juiste aansluiting op het element. Volg de aanwijzingen op het element en gebruik een pincet of gelijksoortig gereedschap.

## 3 Bevestig de kopshell.

Steek de kopshell met het bevestigde element op de arm. Houd vervolgens de kopshell horizontaal en draai de vastzetmoer aan.

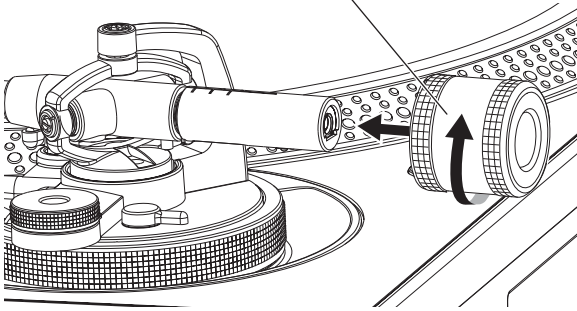




#### 4 Bevestig het contragewicht.

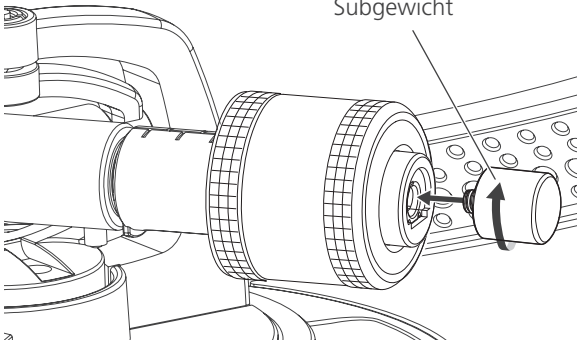
Bevestig het contragewicht aan de achterkant van de arm.

Contragewicht



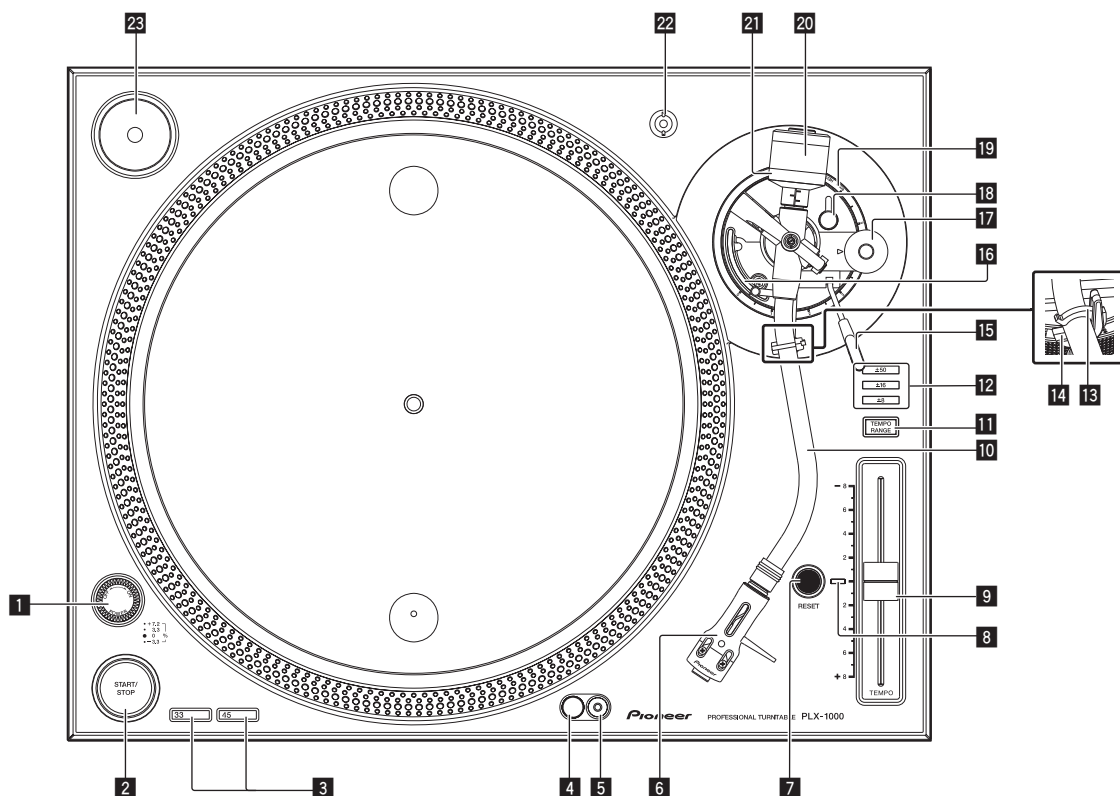
- Als je een element tussen 9,5 g en 13 g gebruikt, moet je het subgewicht monteren op het achterste gedeelte van de arm.

Subgewicht



# Overzicht van de bedieningstoetsen

## Bovenpaneel



### 1 POWER-schakelaar

Als je de schakelaar naar de positie **[ON]** draait, wordt het toestel ingeschakeld en licht de stroboscoopverlichting aan de zijkant op.  
☞ *Afspelen* (blz.12)

### 2 START/STOP-toets

Als je op de knop drukt, gaat de draaitafel draaien of stopt hij.  
☞ *Afspelen* (blz.12)

### 3 Knop voor snelheidswijziging

Hiermee wijzig je de snelheid voor de afgespeelde plaat.

- 33 1/3 toerenplaat: druk op de knop **[33]**.
- 45 toerenplaat: druk op de knop **[45]**.

☞ *Afspelen* (blz.12)

### 4 Naaldverlichting

Licht op en verlicht de naaldpunt.

☞ *Afspelen* (blz.12)

### 5 Schakelaar voor naaldverlichting

De naaldverlichting licht wit op en gaat omhoog naar de positie waarop de naaldpunt wordt verlicht.

☞ *Afspelen* (blz.12)

### 6 Kopshell

Wordt gebruikt met een element eraan bevestigd.

### 7 RESET-toets

### 8 RESET-indicator

Als je op de knop **[RESET]** drukt, gaat de indicator **[RESET]** aan. Als de indicator **[RESET]** aan is, draait de draaitafel met de ingestelde snelheid (33 1/3 tpm of 45 tpm) ongeacht de positie van de schuifregelaar **TEMPO**.

☞ *De toonhoogte aanpassen* (blz.13)

### 9 TEMPO schuifregelaar

Je kunt de schuifregelaar naar voren en naar achteren schuiven om de draaisnelheid nauwkeurig aan te passen.

☞ *De toonhoogte aanpassen* (blz.13)

### 10 Arm

☞ *Aanpassingen* (blz.8)

### 11 TEMPO RANGE knop

Met elke druk op de knop verandert het tempobereik, achtereenvolgens naar  $\pm 8\%$ ,  $\pm 16\%$  en  $\pm 50\%$ .

☞ *De toonhoogte aanpassen* (blz.13)

### 12 TEMPO RANGE-indicator

Het ingestelde tempobereik licht blauw op.

### 13 Armklem

Houdt de arm vast.

### 14 Armsteun

Ondersteunt de arm.

### 15 Lifthendel

Duw de hendel omhoog om de arm op te tillen, en omlaag om de arm neer te laten.

### 16 Armlift

Hiermee wordt de arm omhoog en omlaag bewogen. Je bedient hem met de lifthendel.

### 17 Instelknop ANTI SKATING

Als een plaat wordt afgespeeld, ontstaat op de naald een kracht die hem naar binnen trekt. Je kunt die kracht opheffen door met deze instelknop de juiste instelling te maken overeenkomstig de naalddruk.

☞ *Anti-skating aanpassen* (blz.8)

### 18 Vergrendelknop HEIGHT ADJUST

Vergrendelt de aangepaste hoogte van de arm.

➔ *De hoogte van de arm aanpassen (blz.9)*

### 19 Instelknop HEIGHT ADJUST

Wordt gebruikt om de hoogte van de arm aan te passen.

➔ *De hoogte van de arm aanpassen (blz.9)*

### 20 Contragewicht

Wordt gebruikt om de balans van de arm en de naalddruk aan te passen.

➔ *Aanpassingen (blz.8)*

### 21 Afstelling voor de naalddruk

Wordt gebruikt om de juiste naalddruk in te stellen voor het element.

➔ *De naalddruk aanpassen (blz.8)*

### 22 Standaard voor kopshell

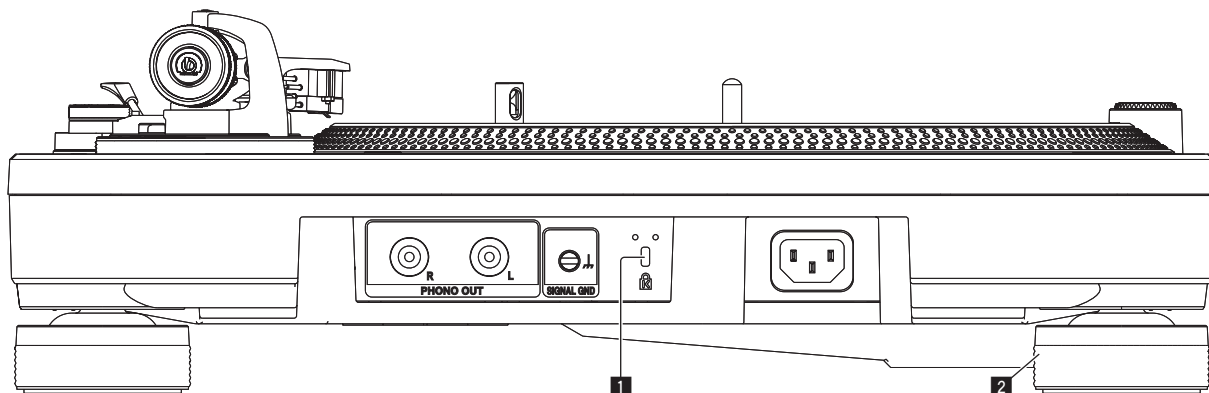
Wordt gebruikt als standaard voor de shell.

### 23 Adapter voor EP-platen

Wordt gebruikt om standaard EP-platen af te spelen.

➔ *Standaard EP-platen afspelen (blz.12)*

## Achterpaneel



Zie *Beschrijving van de aansluitingen* op bladzijde 10 voor de aansluitingen die gebruikt worden voor de verbindingen.

### 1 Kensington-beveiligingsgleuf

### 2 Schokdemper

Onderdrukt trillingen van buitenaf. Je kunt hem draaien om de hoogte van de draaitafel af te stellen.

➔ *De hoogte van het hoofdtoestel aanpassen (blz.11)*

# Aanpassingen

## De balans van de arm aanpassen

- Omdat het gewicht van het element en de kopshell verschilt naar gelang het product, moet de balans van de arm wellicht worden aangepast.

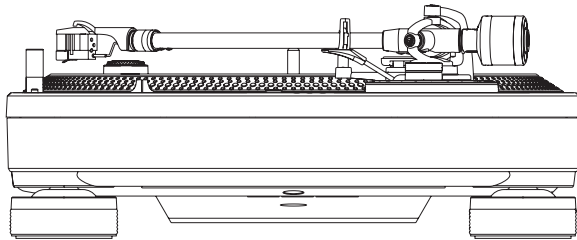
Doe het volgende als voorbereiding.

- Verwijder de naaldkap en de armklem. Let daarbij op dat je de naaldpunt niet aanraakt.
- Duw de lifthendel omlaag.
- Zet de instelknop [ANTI SKATING] op "0".

### Houd de arm van de armsteun en pas de balans zo aan dat hij horizontaal staat.

Draai aan het contragewicht tot de arm bijna horizontaal staat.

- Let goed op dat de naald niet de draaitafel e.d. raakt wanneer je de arm verplaatst.



## De naalddruk aanpassen

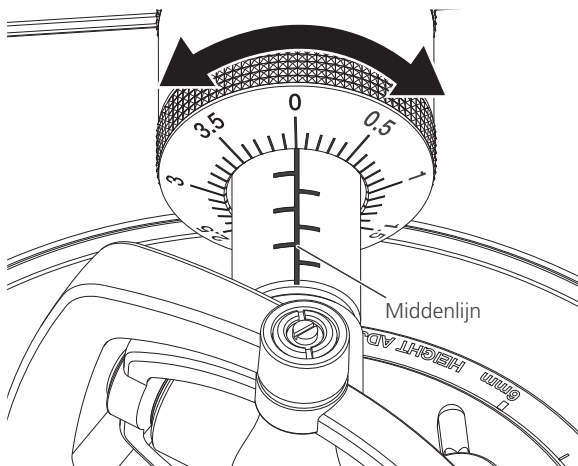
- Om springen van de naald en geluidsvervalsing te voorkomen, moet de naalddruk worden aangepast voor elk element.

Doe het volgende als voorbereiding.

- Verplaats de arm terug naar de armsteun en zet hem vast met de armklem.

### 1 Breng de "0" op de afstelling voor de naalddruk naar de middenlijn op het achterstuk van de arm.

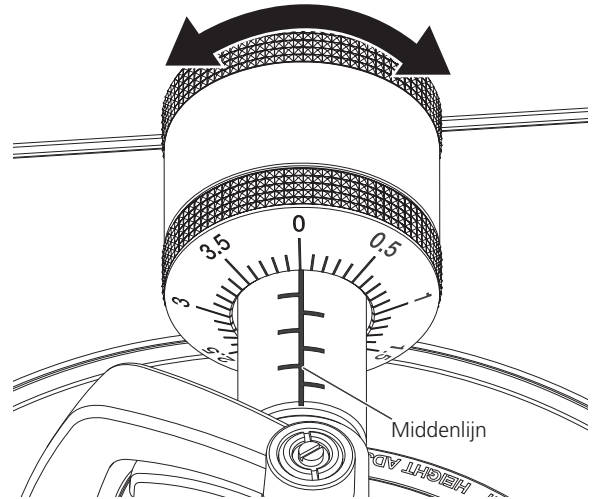
Houd met je vingers het contragewicht tegen zodat hij niet beweegt. Draai ondertussen alleen de afstelling voor de naalddruk zodat het cijfer "0" op de zwarte middenlijn komt te staan op het achterstuk van de arm.



## 2 Pas de naalddruk aan.

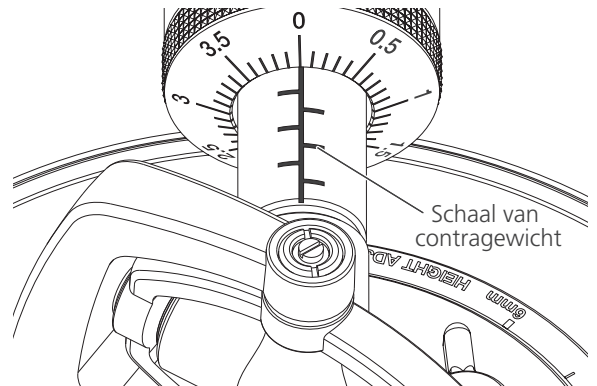
Draai het contragewicht om de juiste naalddruk in te stellen voor het gebruikte element.

- Als je contragewicht draait, draait de afstelling voor de naalddruk mee. Houd de afstelling in het oog en stel de juiste naalddruk in.



## Gebruik van de meetschaal voor het contragewicht

Het wordt aangeraden om de positie van de meetschaal van het contragewicht te onthouden voor deze combinatie van shell en element. Je kunt de juiste naalddruk dan eenvoudig instellen door de meetschaal op de juiste positie in te stellen zonder dat je de horizontale balans van de arm hoeft aan te passen.



1 Bevestig de shell met het element op de arm.

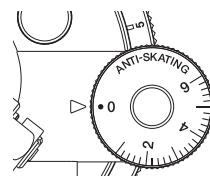
2 Zet de meetschaal voor het contragewicht op de gemeten waarde voor het contragewicht.

## Anti-skating aanpassen

Met deze aanpassing voorkom je dat de naald springt.

### Zet de meetschaal op dezelfde waarde als de naalddruk.

Draai de instelknop [ANTI SKATING] zo dat de referentielijn overeenkomt met dezelfde waarde als de naalddruk van het element.



## Afspelen met scratchen

Om springen van de naald te voorkomen moet je de schaalpositie aanpassen aan je afspeelacties.

## De hoogte van de armlift aanpassen

Pas deze zo nodig aan voor het gebruikte element.

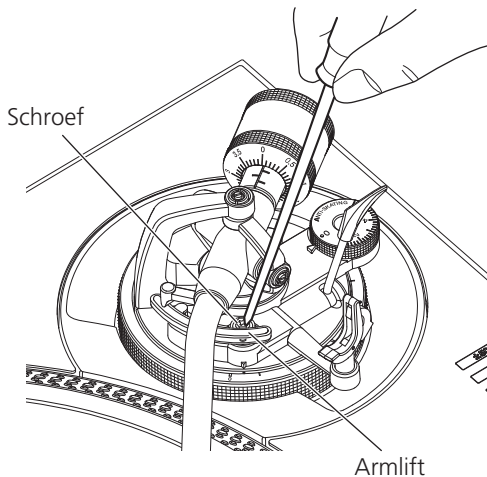
Doe het volgende als voorbereiding.

- Plaats een plaat op het draaitafelblad.
- Verwijder de naaldkap en de armklem. Let daarbij op dat je de naaldpunt niet aanraakt.
- Duw de lifthendel omhoog en beweeg de arm naar de plaat.

### Pas de hoogte aan door de schroef te draaien terwijl de armlift omlaag is geduwd.

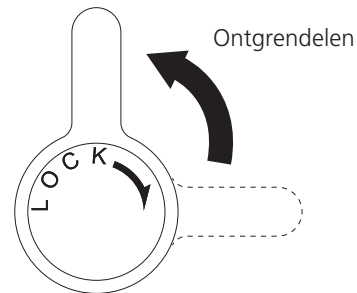
- Draai met de wijzers van de klok mee om de afstand tussen de plaat en de naald te verkleinen.
- Draai tegen de wijzers van de klok in om de afstand tussen de plaat en de naald te vergroten.

De hoogte van de armlift (de afstand tussen de plaat en de naald wanneer je de lifthendel omhoog duwt) kan worden ingesteld tussen ongeveer 8 mm en 13 mm.



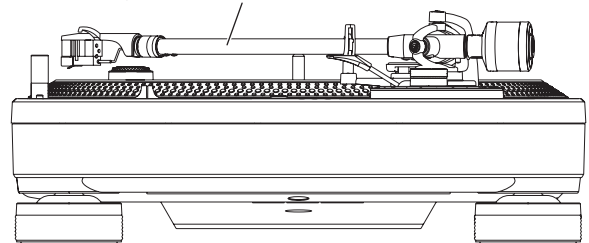
## De hoogte van de arm aanpassen

### 1 Draai de vergrendelknop [HEIGHT ADJUST] los om de vergrendeling op te heffen.

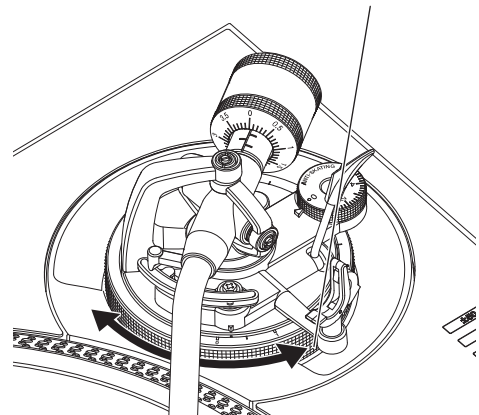


### 2 Duw de lifthendel omlaag en zet de naald op de plaat. Stel vervolgens de instelknop [HEIGHT ADJUST] zo af dat de arm evenwijdig staat met de plaat.

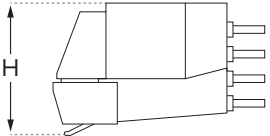
Aanpassen zodat de arm horizontaal staat



Instelknop [HEIGHT ADJUST]



Raadpleeg de volgende tabel voor aanpassing van de instelknop [HEIGHT ADJUST] met de juiste hoogte voor het gebruikte element.

	Groote element H (mm)	Instelknop [HEIGHT ADJUST] positie meetschaal
	19	0
20	1	
21	2	
22	3	
23	4	
24	5	
25	6	

### 3 Draai de vergrendelknop [HEIGHT ADJUST] vast om de arm op de ingestelde hoogte te vergrendelen.

Na het aanpassen van de armhoogte moet je altijd de vergrendelknop [HEIGHT ADJUST] vastzetten om de arm te vergrendelen.

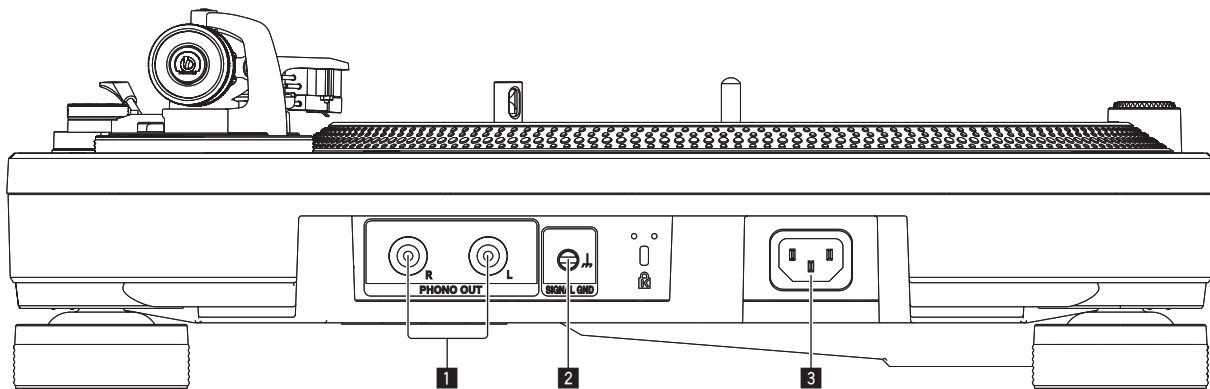
## Afspelen met scratchen

Gebruik de instelknop [HEIGHT ADJUST] om de armhoogte aan te passen aan je afspeelacties en springen van de naald te voorkomen.

# Aansluitingen

- Schakel altijd eerst de stroom uit en trek de stekker uit het stopcontact alvorens u enige aansluiting maakt of verbreekt.
- Zie tevens de gebruiksaanwijzingen van de aan te sluiten apparatuur.
- Sluit het netnoer pas aan nadat alle aansluitingen tussen de apparatuur volledig zijn gemaakt.

## Beschrijving van de aansluitingen



### 1 PHONO OUT-aansluitingen

Sluit de audiosnoeren (bijgeleverd) hierop aan.

### 2 SIGNAL GND aansluiting

Sluit de aardkabel (accessoire) aan. Dit helpt om ruis te verminderen wanneer een analoge speler wordt aangesloten.

### 3 AC IN

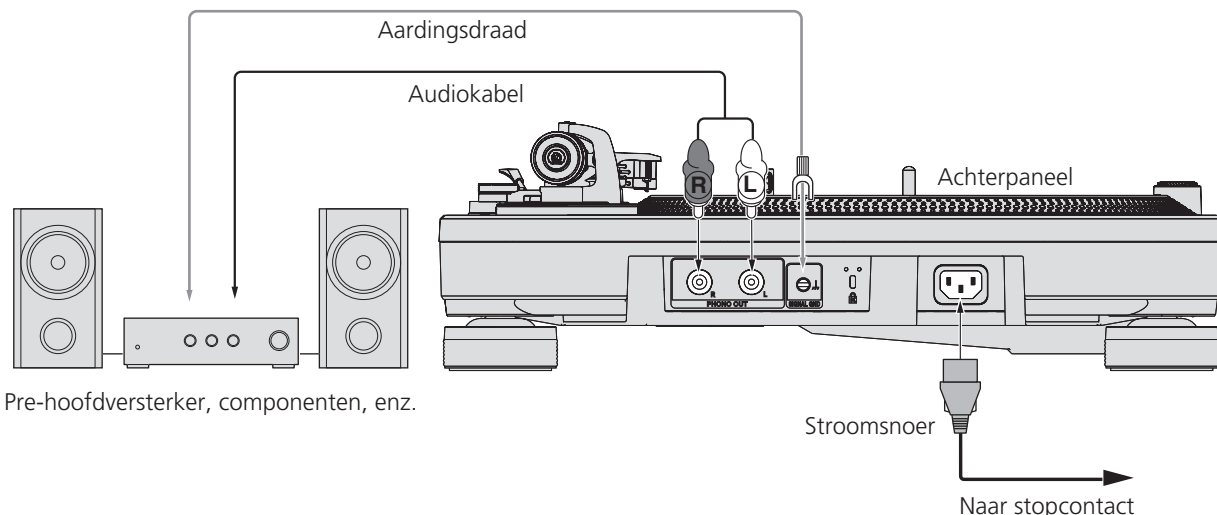
Aansluiten op een stopcontact met het bijgeleverde netsnoer. Wacht met aansluiten van het netsnoer totdat eerst alle aansluitingen tussen de apparatuur onderling compleet zijn gemaakt.

- Gebruik alleen het bijgeleverde netsnoer.

## Basisstijl

- Aansluiten op een stopcontact met het bijgeleverde netsnoer. Wacht met aansluiten van het netsnoer totdat eerst alle aansluitingen tussen de apparatuur onderling compleet zijn gemaakt.
- Zie tevens de gebruiksaanwijzingen van de aan te sluiten apparatuur.

## Aansluiting op een pre-hoofdversterker en component



### 1 Sluit de audiokabel en de aardkabel aan op de ingang [PHONO] van de pre-hoofdversterker of andere component.

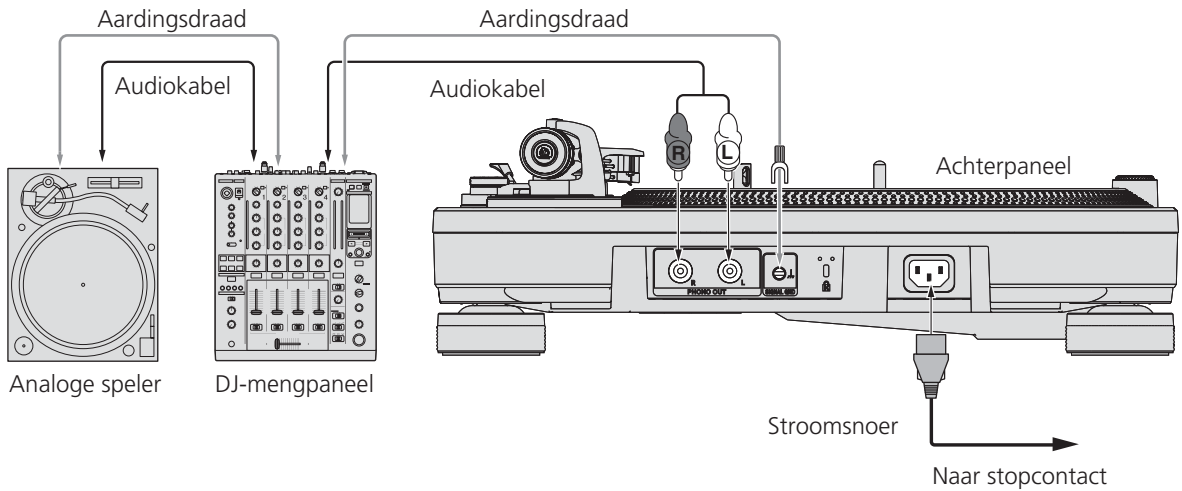
- Als dit product wordt aangesloten op een pre-hoofdversterker of component zonder een [PHONO]-aansluiting, kunnen niet voldoende volume en geluidskwaliteit worden verkregen. Gebruik in dat geval de PHONO-equalizer.
- Vergeet niet om de aardkabel aan te sluiten. Als het toestel niet goed geard is, klinkt er een zoemende bromtoon van de voeding.

### 2 Sluit het netsnoer aan.

Aansluiten op een stopcontact met het bijgeleverde netsnoer. Wacht met aansluiten van het netsnoer totdat eerst alle aansluitingen tussen de apparatuur onderling compleet zijn gemaakt.

- Controleer voordat je stekker in de uitgang (AC-uitgang) van het aangesloten apparaat steekt of de wattage correct is. (Dit toestel verbruikt 9 W vermogen.)

## Verbinding maken met een DJ-mengpaneel



### 1 Sluit de audiokabel en de aardkabel aan op de ingang [PHONO] van het DJ-mengpaneel.

- Als dit product wordt aangesloten op een DJ-mengpaneel zonder een [PHONO]-aansluiting, kunnen niet voldoende volume en geluidskwaliteit worden verkregen.
- Vergeet niet om de aardkabel aan te sluiten. Als het toestel niet goed geaard is, klinkt er een zoemende bromtoon van de voeding.

### 2 Sluit het netsnoer aan.

Aansluiten op een stopcontact met het bijgeleverde netsnoer. Wacht met aansluiten van het netsnoer totdat eerst alle aansluitingen tussen de apparatuur onderling compleet zijn gemaakt.

- Controleer voordat je stekker in de uitgang (AC-uitgang) van het aangesloten apparaat steekt of de wattage correct is. (Dit toestel verbruikt 9 W vermogen.)

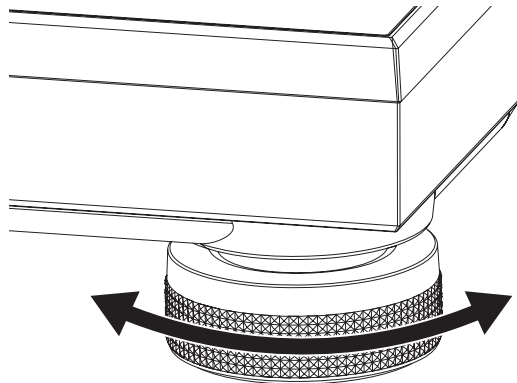
## Geschikte opstelling

Plaats het toestel op een vlak oppervlak zonder externe trillingen.

- Houd het toestel zo ver mogelijk uit de buurt van het luidsprekersysteem.
- Als het toestel erg dicht bij een radio (AM/FM) staat, kan de radio ruis veroorzaken. Maak de afstand tot het toestel zo groot mogelijk.

## De hoogte van het hoofdtoestel aanpassen

Pas de hoogte aan door de schokdemper zo ver te draaien dat het hoofdtoestel horizontaal staat.



---

---

# Bediening

---

---

## Inschakelen van de stroom

**1 Maak alle verbindingen en steek vervolgens de stekker in het stopcontact.**

➔ *Aansluitingen* (blz.10)

**2 Zet de schakelaar [POWER] in de positie [ON] om het toestel in te schakelen.**

De indicators van dit toestel lichten op en de stroom wordt ingeschakeld.

---

---

## Uitschakelen van de stroom

**Zet de schakelaar [POWER] in de positie [OFF] om het toestel uit te schakelen.**

De stroomvoorziening van dit toestel wordt uitgeschakeld.

---

---

## Afspelen

Doe het volgende als voorbereiding.

- Plaats een plaat op de draaitafel.
- Verwijder de naaldkap en de armklem.

**1 Zet de schakelaar [POWER] in de positie [ON] om het toestel in te schakelen.**

**2 Druk op de [START/STOP] knop.**

De draaitafel draait.

**3 Druk op de knop [RESET].**

De indicator [RESET] brandt groengeel en de snelheid keert terug naar de ingestelde tpm-waarde (33 1/3 of 45 tpm).

**4 Duw de lifthendel omhoog en beweeg de arm naar de plaat.**

**5 Duw de lifthendel omlaag.**

De arm beweegt langzaam omlaag en het afspelen begint.

---

---

## Het afspelen pauzeren

**Duw de lifthendel omhoog.**

De naald van het element wordt van de plaat getild.

- Duw de lifthendel omlaag om het afspelen te hervatten.

---

---

## Het afspelen beëindigen

**1 Duw de lifthendel omhoog, beweeg de arm naar de armsteun, en duw de lifthendel omlaag.**

**2 Druk op de [START/STOP] knop.**

De draaitafel wordt zacht gestopt door een elektronische rem.

**3 Zet de schakelaar [POWER] in de positie [OFF] om het toestel uit te schakelen.**

Zet de arm vast met de armklem.

Bevestig de naaldkap om de naaldpunt te beschermen.

---

---

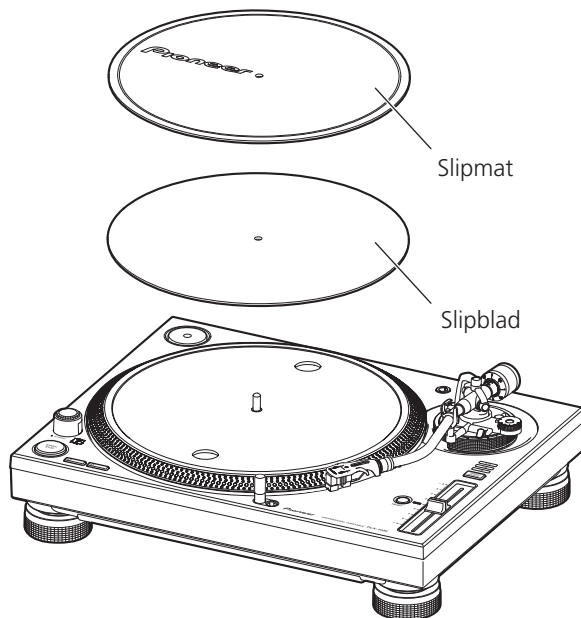
## De slipmat en het slipblad

### Slipmat

Als je de mat gebruikt in plaats van het draaitafelblad, kun je de plaat tijdens het spelen met de hand stoppen of de draaitafel achteruit draaien.

### Slipblad

Als je het slipblad onder de slipmat gebruikt, kun je gemakkelijker scratchen.



---

---

## Standaard EP-platen afspelen

Plaats de adapter voor EP-platen op de middenas en druk op de knop [45].

---

---

## De naaldpunt verlichten

Als je op de schakelaar voor de naaldverlichting drukt, licht de naaldverlichting wit op en gaat hij omhoog naar de positie waarop de naaldpunt wordt verlicht.

- Als je hem niet nodig hebt, druk je op de schakelaar voor de naaldverlichting om hem te laten zakken. De schakelaar voor de naaldverlichting gaat uit.

---

---

## De stofhoes bevestigen

Wanneer je klaar bent met gebruik van het toestel, moet je hem afdekken met de stofhoes. Neemt die aan twee kanten vast en plaats hem langs boven over het toestel.



---

---

## De toonhoogte aanpassen

**1 Druk op de knop [RESET] om de indicator [RESET] uit te zetten.**

**2 Beweeg de [TEMPO] schuifregelaar naar voren of naar achteren.**

Als je de schuifregelaar naar voren schuift, wordt de draaisnelheid verhoogt. Als je hem naar achteren schuift, wordt de draaisnelheid verlaagd.

- De schaal van de schuifregelaar [TEMPO] is een ruwe waarde. Gebruik deze als richtlijn.

**3 Druk op de [TEMPO RANGE] knop.**

Het instelbereik van de schuifregelaar [TEMPO] verandert iedere keer als je op de knop drukt. De indicator voor het instelbereik licht op.

Ingestelde waarde	Insteleenheden
±8	0,016 %
±16	0,032 %
±50	0,1 %

---

---

## Terugkeren naar de gewone toonhoogte

**Druk op de knop [RESET].**

Als je op de knop [RESET] drukt, gaat de indicator [RESET] aan. Als de indicator [RESET] aan is, draait de draaitafel met de ingestelde snelheid (33 1/3 tpm of 45 tpm) ongeacht de positie van de schuifregelaar TEMPO.

---

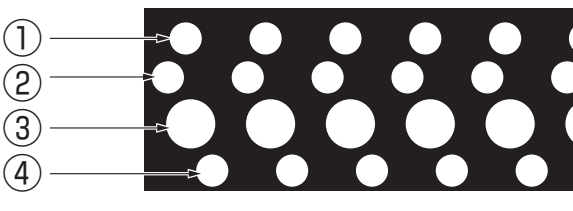
---

## De toonhoogte detecteren

Je kunt de toonhoogte nauwkeuriger bepalen door te kijken naar de vier rijen stroboscooppatronen rondom de draaitafel.

- Met een stroboscoopverlichter (blauwe led) wordt het stroboscooppatroon van het toestel verlicht. Gebruik altijd de stroboscoopverlichter om de toonhoogte te bepalen.

### Stroboscooppatroon



- ① Als het stroboscooppatroon lijkt stil te staan +7,2 % toonhoogteverschil
- ② Als het stroboscooppatroon lijkt stil te staan +3,3 % toonhoogteverschil
- ③ Als het stroboscooppatroon lijkt stil te staan Ingestelde draaisnelheid (33 1/3 tpm of 45 tpm)
- ④ Als het stroboscooppatroon lijkt stil te staan -3,3 % toonhoogteverschil

# Aanvullende informatie

## Verhelpen van storingen

- Verkeerde bediening kan vaak de oorzaak zijn van een schijnbare storing of foutieve werking. Als u denkt dat er iets mis is met deze apparatuur, moet u de punten hieronder controleren en de [FAQ] voor de [PLX-1000] op de Pioneer DJ-ondersteuningssite. <http://pioneerdj.com/support/>  
Soms ligt de oorzaak van het probleem bij een ander apparaat. Controleer daarom ook de andere componenten en elektrische apparatuur die gebruikt wordt. Als u het probleem niet kunt verhelpen, verzoekt u dan uw dichtstbijzijnde officiële Pioneer onderhoudsdienst of uw vakhandelaar om het apparaat te laten repareren.
- Dit apparaat kan soms niet goed werken vanwege statische elektriciteit of andere externe invloeden. In dat geval kunt u de juiste werking herstellen door de stroom uit te schakelen, 1 minuut te wachten en dan de stroom weer in te schakelen.

Probleem	Controle	Oplossing
De stroom wordt niet ingeschakeld.	Is het netsnoer naar behoren aangesloten?	Sluit het meegeleverde stroomsnoer op de juiste manier aan op een stopcontact.
	Staat de schakelaar [POWER] voor de stroomvoorziening op [ON]?	Zet de schakelaar [POWER] voor de stroomvoorziening op [ON].
Er klinkt niet of nauwelijks geluid.	Zijn de audiosnoeren goed aangesloten?	Zorg dat de audiokabels juist zijn aangesloten.
	Zijn de aansluitbussen en de stekkers vuil?	Maak de aansluitbussen en de stekkers schoon voordat u aansluitingen gaat maken.
	Is de kopshell correct bevestigd?	Bevestig de kopshell correct.
Het geluid links en rechts wordt omgekeerd.	Zijn de aansluitingen voor links en rechts op elk onderdeel van de apparatuur correct?	Sluit de audiokabel en de draden van de kopshell correct aan.
Er klinkt een laag zoemend (of brommend) geluid tijdens het afspelen.	Staat of ligt er in de buurt van de voedingskabel een ander elektrisch apparaat zoals een tl-buis of een draad ervan?	Plaats de voedingskabel van de tl-buis of het andere apparaat zo ver mogelijk uit de buurt.
	Is de aardkabel van de draaitafel losgekomen?	Sluit de aardkabel correct aan.
De naaldpunt komt niet omlaag op de plaat.	Is de naalddruk correct ingesteld?	Stel het contragewicht af voor de juiste naalddruk voor het gebruikte element.
	Is de arm horizontaal in evenwicht?	Draai aan het contragewicht tot de arm horizontaal staat.
De naald springt.	Is de naalddruk correct ingesteld?	Stel het contragewicht af voor de juiste naalddruk voor het gebruikte element.
	Is de plaat krom of heeft hij krassen?	Controleer de staat van de plaat.
	Zit er veel stof aan de naaldpunt?	Verwijder de shell met het element, en verwijder stof e.d. van de naaldpunt met een penseeltje met een zachte punt.
	Is anti-skating correct ingesteld?	Stel anti-skating correct in.
De arm stopt halverwege en gaat niet verder.	Is de armhoogte correct ingesteld?	Stel de armhoogte correct in.
	Heeft de plaat krassen?	Controleer de staat van de plaat.
Het geluid is te zacht of te hard.	Raakt de arm iets?	Controleer de ruimte rond de arm. Verwijder eventuele obstakels.
	Is de aansluiting met de versterker correct voor het type element (uitgang)?	Zorg dat de aansluitsnoeren juist zijn aangesloten.

## Voorzorgen bij het gebruik

### Over condensvocht

Er kunnen waterdruppeltjes uit de lucht in het apparaat (vooral op mechanische onderdelen en lenzen) condenseren; bijvoorbeeld 's winters, als het apparaat vanuit een koude omgeving wordt meegenomen naar een warme ruimte, of als de ruimte waarin het apparaat staat plotseling wordt verwarmd. Als er condensatie in het apparaat is opgetreden, zal het niet goed werken en kunt u het even niet gebruiken. Laat het apparaat gewoon uitgeschakeld ongeveer 1 tot 2 uur lang op kamertemperatuur staan (hoe lang het duurt hangt af van de hoeveelheid condensatie). Het condensvocht zal verdampen en dan kunt u het apparaat weer normaal gebruiken. Condensatie kan zich ook 's zomers voordoen als het apparaat in de directe luchtstroom van een airconditioner e.d. staat. In dat geval kunt u het apparaat beter op een andere plaats zetten.

### Transport van het toestel naar een andere locatie

Gebruik het oorspronkelijke verpakkingsmateriaal om het toestel in te pakken.  
Als het oorspronkelijke verpakkingsmateriaal niet meer aanwezig is, let dan zeker op de volgende punten.

- Verwijder het draaitafelblad en de draaitafel en pak ze voorzichtig in.
- Verwijder de kopshell en het contragewicht van de arm en pak ze voorzichtig in.
- Zet de arm vast met de armklem, en zet hem met tape vast zodat hij niet kan bewegen.
- Wikkel het hoofdtoestel in een deken of zacht papier zodat hij niet kan worden beschadigd.

## Onderhoud van de onderdelen

Zet de stroom van de versterker uit wanneer je de kopshell bevestigt en verwijdert.

Als je dit doet terwijl het volume hoog staat, kan de luidspreker beschadigd worden.

- Verwijder de shell met het element, en verwijder stof e.d. van de naaldpunt met een penseeltje met een zachte punt.
- Reinig platen met platenreiniger van een goede kwaliteit.
- Reinig de aansluiting van de kopshell met een zachte doek of gelijkwaardig materiaal en bevestig hem terug aan de arm.

## De stofhoes e.d. reinigen

Reinig de stofhoes en de kast met een zachte doek

- Reinig de stofhoes niet tijdens het afspelen. De arm kan door de stofhoes worden aangetrokken door statische elektriciteit.

---

---

## Over handelsmerken en gedeponeerde handelsmerken

- Pioneer is een gedeponeed handelsmerk van PIONEER CORPORATION.

De hierin vermelde namen van bedrijven en hun producten zijn de handelsmerken van hun respectieve eigenaars.

---

---

## Specificaties

Voeding..... 110 V tot 120 V of 220 V tot 240 V wisselstroom, 50 Hz/60 Hz  
Stroomverbruik ..... 9 W  
Gewicht hoofdapparaat ..... 14,6 kg  
Buitenafmetingen..... 453 mm (B) × 159 mm (H) × 353 mm (D)  
Toegestane bedrijfstemperatuur..... +5 °C tot +35 °C  
Toegestane luchtvochtigheid..... 5 % tot 85 % (zonder condensatie)

### Draaitafel

Aandrijving ..... Directe servoaandrijving  
Motor ..... Borstelloze DC-motor met 3 fasen  
Remsysteem..... Elektronische rem  
Draaisnelheid..... 33 1/3 tpm, 45 tpm  
Instelbare draaisnelheid..... ± 8 %, ± 16 %, ± 50 %  
Wow en flutter ..... 0,01% of minder WRMS  
Gemeten door een signaal verkregen via de ingebouwde frequentiegenerator van de motoreenheid.  
S/R-verhouding ..... 70 dB (DIN-B)  
Draaitafel ..... Aluminium gegoten Diameter: 332 mm  
Startkoppel ..... 4,5 kg·cm of meer  
Starttijd ..... 0,3 seconden (bij 33 1/3 tpm)

### Arm

Type arm ..... Universele S-vormige arm,  
cardanische lagering, statische balans  
Effectieve lengte..... 230 mm  
Overhang ..... 15 mm  
Volgfout..... Minder dan 3°  
Instelbare armhoogte..... 6 mm  
Variabel bereik naalddruk..... 0 g tot 4,0 g (1 schaal 0,1 g)  
Aangewezen elementgewicht ..... 3,5 g tot 13 g (enkel element)  
Bij gebruik van een shellgewicht ..... 3,5 g tot 6,5 g  
Bij gebruik van alleen contragewicht ..... 6,0 g tot 10 g  
Bij gebruik van een subgewicht ..... 9,5 g tot 13 g

- De technische gegevens en het ontwerp van dit product kunnen vanwege voortgaande verbetering zonder voorafgaande kennisgeving worden gewijzigd.
- © 2014 PIONEER CORPORATION. Alle rechten voorbehouden.

Le damos las gracias por la adquisición de este producto Pioneer. Lea a fondo estas instrucciones de utilización para que aprenda a utilizar correctamente su modelo. Después de haber terminado de leer estas instrucciones, guárdelas en un lugar seguro para, en caso de ser necesario, consultarlas en el futuro. En algunos países o regiones, la forma de la clavija de alimentación y de la toma de corriente pueden ser algunas veces diferentes de la mostrada en las ilustraciones explicativas. Sin embargo, el método de conexión y funcionamiento de la unidad es el mismo.



Si desea deshacerse de este producto, no lo mezcle con los residuos generales de su hogar. De conformidad con la legislación vigente, existe un sistema de recogida distinto para los productos electrónicos que requieren un procedimiento adecuado de tratamiento, recuperación y reciclado.

Las viviendas privadas en los estados miembros de la UE, en Suiza y Noruega pueden devolver gratuitamente sus productos electrónicos usados en las instalaciones de recolección previstas o bien en las instalaciones de minoristas (si adquieren un producto similar nuevo).

En el caso de los países que no se han mencionado en el párrafo anterior, póngase en contacto con sus autoridades locales a fin de conocer el método de eliminación correcto.

Al actuar siguiendo estas instrucciones, se asegurará de que el producto de desecho se somete a los procesos de tratamiento, recuperación y reciclaje necesarios, con lo que se previenen los efectos negativos potenciales para el entorno y la salud humana.

K058b\_A1\_Es

## ADVERTENCIA

Este aparato no es impermeable. Para evitar el riesgo de incendio y de descargas eléctricas, no ponga ningún recipiente lleno de líquido (como pueda ser un vaso o un florero) cerca del aparato ni lo exponga a goteo, salpicaduras, lluvia o humedad.

D3-4-2-1-3\_A1\_Es

## ADVERTENCIA

Para evitar el peligro de incendio, no ponga nada con fuego encendido (como pueda ser una vela) encima del aparato.

D3-4-2-1-7a\_A1\_Es

## Entorno de funcionamiento

Temperatura y humedad del entorno de funcionamiento +5 °C a +35 °C; menos del 85 % de humedad relativa (rejillas de refrigeración no obstruidas)

No instale este aparato en un lugar mal ventilado, ni en lugares expuestos a alta humedad o a la luz directa del sol (o de otra luz artificial potente).

D3-4-2-1-7c\*\_A1\_Es

## ADVERTENCIA

Este producto está provisto de una clavija de tres conductores con toma de tierra (puesta a tierra) cuya tercera patilla es la de toma de tierra. Esta clavija sólo se adapta en una toma de corriente del tipo de toma de tierra. Si no puede insertar la clavija en la toma de corriente, llame a un electricista profesional para que le reemplace la toma de corriente por otra con toma de tierra que sea adecuada. No elimine el dispositivo de seguridad de la clavija con toma de tierra.

D3-4-2-1-6\_A1\_Es

## PRECAUCIÓN PARA LA VENTILACIÓN

Cuando instale este aparato, asegúrese de dejar espacio en torno al mismo para la ventilación con el fin de mejorar la disipación de calor (por lo menos 15 cm encima, 5 cm detrás, y 5 cm en cada lado).

D3-4-2-1-7d\*\_A1\_Es

## PRECAUCIÓN

El interruptor de la alimentación **POWER** de este aparato no corta por completo toda la alimentación de la toma de corriente de CA. Puesto que el cable de alimentación hace las funciones de dispositivo de desconexión de la corriente para el aparato, para desconectar toda la alimentación del aparato deberá desenchufar el cable de la toma de corriente de CA. Por lo tanto, asegúrese de instalar el aparato de modo que el cable de alimentación pueda desenchufarse con facilidad de la toma de corriente de CA en caso de un accidente. Para evitar correr el peligro de incendio, el cable de alimentación también deberá desenchufarse de la toma de corriente de CA cuando no se tenga la intención de utilizarlo durante mucho tiempo seguido (por ejemplo, antes de irse de vacaciones).

D3-4-2-2-2a\*\_A1\_Es

## PRECAUCIONES CONCERNIENTES A LA MANIPULACIÓN DEL CABLE DE ALIMENTACIÓN

Tome el cable de alimentación por la clavija. No extraiga la clavija tirando del cable. Nunca toque el cable de alimentación cuando sus manos estén mojadas, ya que esto podría causar cortocircuitos o descargas eléctricas. No coloque la unidad, algún mueble, etc., sobre el cable de alimentación. Asegúrese de no hacer nudos en el cable ni de unirlo a otros cables. Los cables de alimentación deberán ser dispuestos de tal forma que la probabilidad de que sean pisados sea mínima. Un cable de alimentación dañado podrá causar incendios o descargas eléctricas. Revise el cable de alimentación está dañado, solicite el reemplazo del mismo al centro de servicio autorizado PIONEER más cercano, o a su distribuidor.

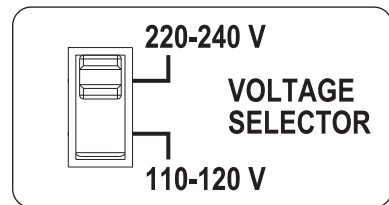
S002\*\_A1\_Es

## Selector de tensión

El selector de tensión está situado en panel superior de los modelos de tensiones múltiples.

**El ajuste predeterminado del selector de tensión es de 220-240 V. Ajustelo a la tensión correcta de su país o región.**

Antes de cambiar la tensión, desenchufe el cable de alimentación de CA. Para cambiar el ajuste del selector de tensión, emplee un destornillador de tamaño medio.



D3-4-2-1-5\*\_A2\_Es

## ADVERTENCIA

Guarde las piezas pequeñas fuera del alcance de los niños. Si las ingirieran accidentalmente, póngase de inmediato en contacto con un médico.

D41-6-4\_A1\_Es

## PRECAUCIÓN

PARA PREVENIR EL PELIGRO DE CHOQUE ELÉCTRICO NO REMOVER LA TAPA NI LAS PARTES DENTRO NO UTILIZADAS, LLAMAR UNA PERSONA CUALIFICADA.

D3-4-2-1-1\_B2\_Es

# Contenido

## Cómo leer este manual

En este folleto, los nombres de los botones y los terminales de la unidad principal aparecen entre corchetes ([ ]).

Ejemplos:

- Pulse el botón [START/STOP].
- Si este producto se conecta a un preamplificador o a un componente que no tenga un terminal [PHONO], no se puede alcanzar el volumen suficiente ni la calidad de sonido necesaria. En tal caso, utilice el ecualizador fonográfico.

## 01 Antes de empezar a usar la unidad

Características.....	3
Contenido de la caja.....	3

## 02 Antes de comenzar

Acerca del cartucho.....	4
Montaje.....	4

## 03 Nombres y funciones de los controles

Panel superior.....	6
Panel trasero.....	7

## 04 Ajuste

Ajuste del equilibrio del brazo fonocaptor.....	8
Ajuste de la presión de la aguja.....	8
Ajuste de anti-skating.....	8
Ajuste de la altura del elevador del brazo.....	9
Ajuste de la altura del brazo.....	9

## 05 Conexiones

Descripciones de los terminales.....	10
Estilo básico.....	10
Lugar de instalación.....	11

## 06 Operación

Conexión de la alimentación.....	12
Desconexión de la alimentación.....	12
Reproducción.....	12
Pausa de la reproducción.....	12
Final de la reproducción.....	12
Ajuste del tono.....	13

## 07 Información adicional

Solución de problemas.....	14
Cuidados para el uso.....	14
Mantenimiento de cada parte.....	14
Acerca de las marcas de fábrica y marcas registradas.....	15
Especificaciones.....	15

# Antes de empezar a usar la unidad

## Características

Esta unidad es un giradiscos profesional que ofrece funciones, durabilidad, operabilidad y calidad de sonido aptos para una amplia gama de ocasiones, desde escuchar música en casa hasta las discotecas o los clubes de música.

## Un sistema de accionamiento directo que logra un par de giro elevado

La unidad gira a una velocidad constante con un 0,1 % o menos de wow y flutter, 4,5 kg·cm o más de presión de arranque y 0,3 segundos (a 33 1/3 rpm) de tiempo de arranque.

## Diseño enfocado a sonido de alta calidad

- Para el terminal RCA hemos adoptado un componente chapado en oro elaborado del mismo producto de vanguardia que el reproductor TAD, el cual es nuestro producto bandera. Una conexión estable transmite directamente la señal PHONO.
- Los efectos de vibración externa se suprimen mediante el uso de material de supresión de vibraciones entre el gabinete superior e inferior.

## Control de tiempo de alta precisión ajustable en 3 niveles

- La amplitud de tiempo variable se puede ajustar a  $\pm 8\%$ ,  $\pm 16\%$  y  $\pm 50\%$ , lo que ofrece una reproducción altamente flexible.
- Al pulsar el botón [RESET] el tiempo regresa inmediatamente a la rotación constante de  $\pm 0\%$ .

## Cable de alimentación y cables de audio desenchufables

- Los cables no representan un obstáculo cuando se desliza la unidad principal por lo que se evitan así problemas de desconexión.
- Al poder cambiar el cable de audio, es posible personalizar la unidad para suministrar el sonido deseado.

## Contenido de la caja

- Giradiscos
- Plato giradiscos
- Slip mat
- Slip sheet
- Cubierta guardapolvo
- Adaptador para discos EP
- Contrapeso
- Peso auxiliar
- Portacápsula
- Peso para la cápsula
- Cable de alimentación
- Cable de audio
- Cable de tierra
- Garantía (para algunas regiones)<sup>1</sup>
- Manual de Instrucciones (este manual)

<sup>1</sup> La garantía incluida es para la región europea.

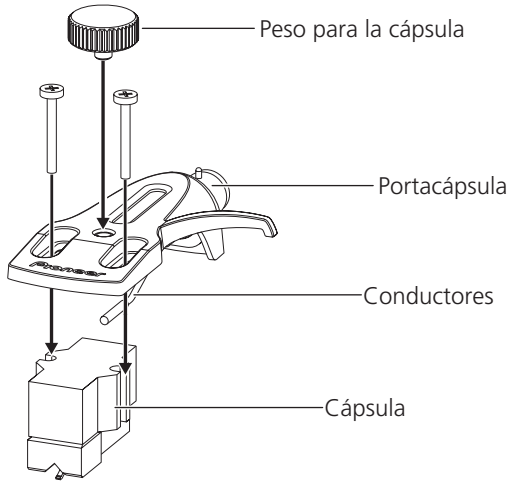
# Antes de comenzar

## Acerca del cartucho

- El cartucho no se incluye.
- Consulte el manual de instrucciones para el cartucho requerido.

### Coloque el cartucho en el portacápsula.

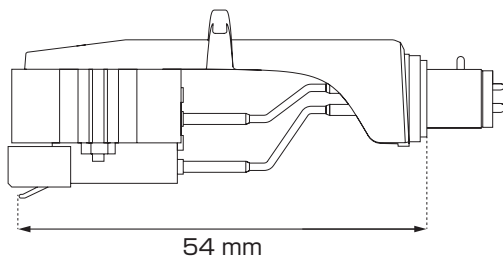
Los conductores de la pieza portacápsula tienen marcas de color. Utilice unas pinzas o una herramienta similar para conectar correctamente los cables al terminal correspondiente del cartucho según la indicación en el cartucho.



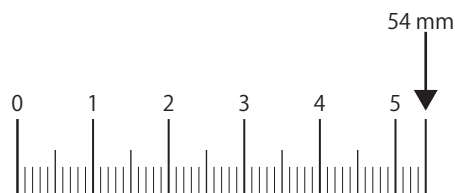
- Si se emplea un cartucho entre 3,5 g y 6,5 g, utilice el peso suministrado para la cápsula.

## Ajuste del saliente

Utilice la siguiente escala de ajuste del saliente para ajustar la posición utilizando el tornillo de sujeción de cartucho de modo que la punta de la aguja se encuentre en una posición a 54 mm de la pieza de sujeción del brazo fonocaptor.



### Escala de ajuste del saliente

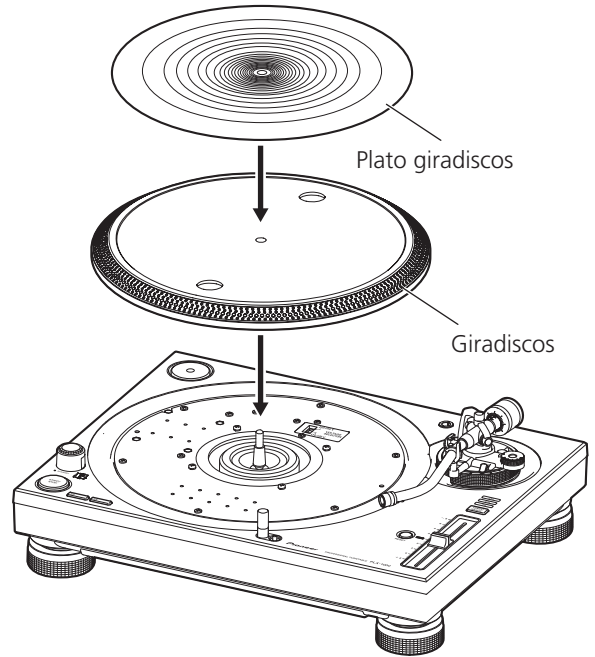


# Montaje

## 1 Monte el giradiscos y el plato giradiscos.

Coloque el giradiscos en el husillo central y coloque el plato giradiscos encima del giradiscos.

- Tenga cuidado de no golpear el giradiscos contra la unidad principal ni dejarlo caer.
- Asegúrese de que no hay adherido polvo metálico u otro tipo de polvo al imán de la parte trasera del giradiscos.
- No toque el tornillo de fijación del imán del giradiscos (3 ubicaciones). Si se cambia la posición del tornillo de fijación, no se puede garantizar el rendimiento nominal.

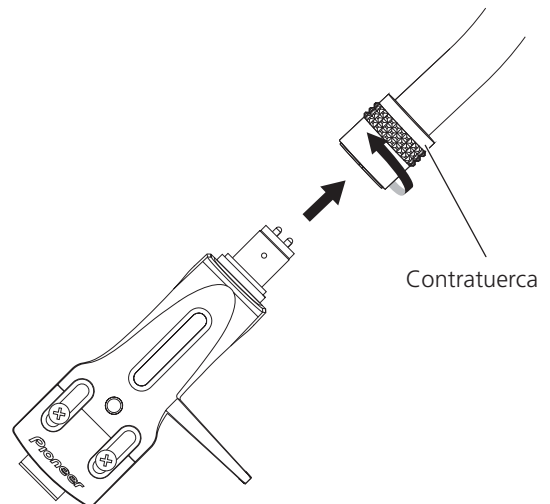


## 2 Coloque el cartucho en el portacápsula.

Los conductores de la pieza portacápsula tienen marcas de color. Utilice unas pinzas o una herramienta similar para conectar correctamente los cables al terminal correspondiente del cartucho según la indicación en el cartucho.

## 3 Monte el portacápsula.

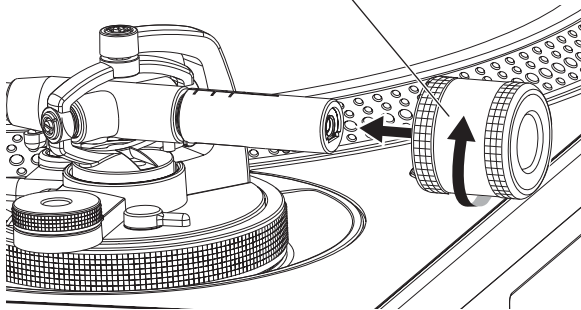
Inserte el portacápsula con el cartucho montado en el brazo fonocaptor. A continuación, apriete la contratuerca mientras mantiene el portacápsula horizontal.



#### 4 Monte el contrapeso.

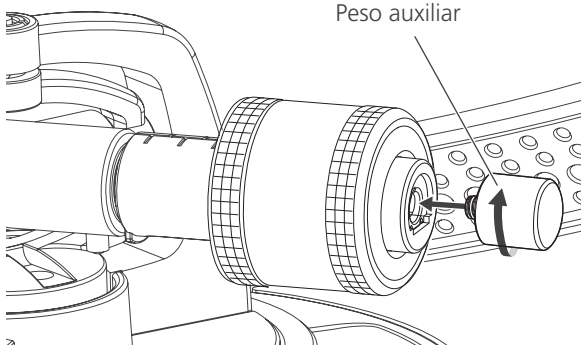
Fije el contrapeso al eje trasero del brazo fonocaptor.

Contrapeso



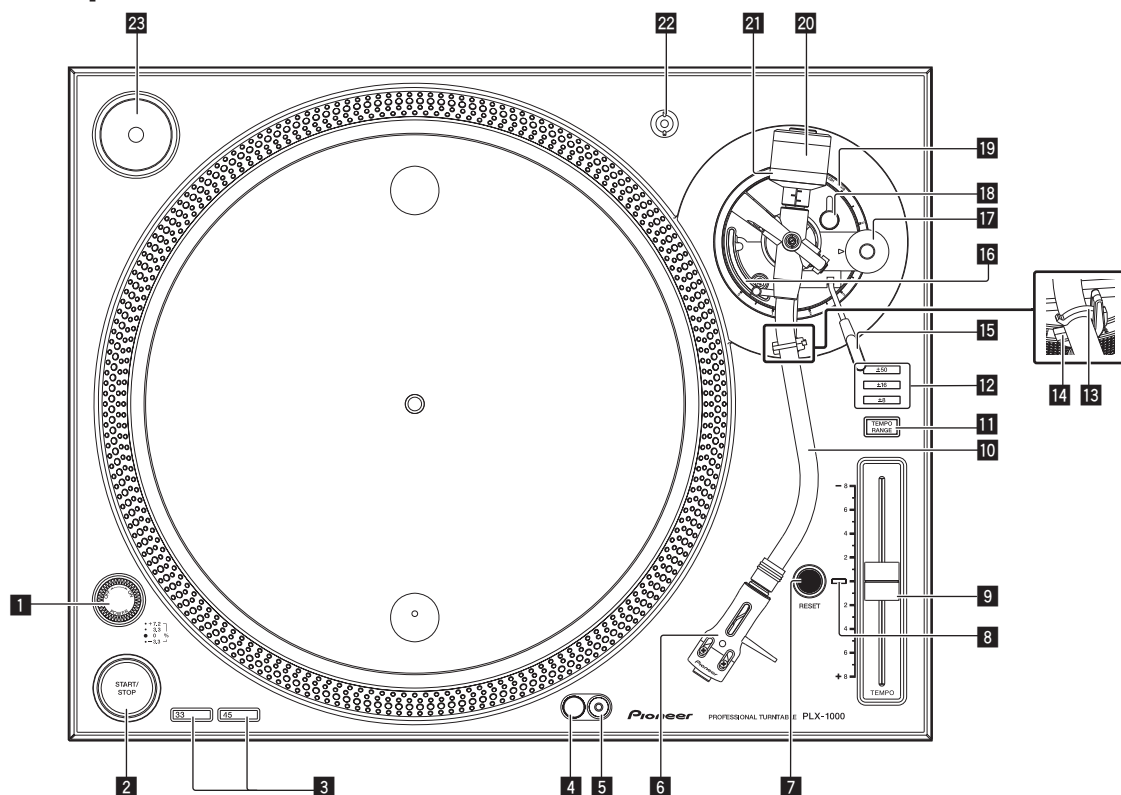
- Si se utiliza un cartucho entre 9,5 g y 13 g, fije el peso auxiliar en el eje trasero del brazo fonocaptor.

Peso auxiliar



# Nombres y funciones de los controles

## Panel superior



### 1 Conmutador POWER

Si se gira el conmutador hacia el lado [ON], se conecta la alimentación y se ilumina la iluminación estroboscópica de al lado.

↪ Reproducción (pág.12)

### 2 Botón START/STOP

Al pulsar el botón se inicia o se detiene la rotación del giradiscos.

↪ Reproducción (pág.12)

### 3 Botón de cambio de velocidad

Cambia la velocidad de acuerdo con el disco que se vaya a reproducir.

- Para un disco de 33 1/3 rpm, pulse el botón [33].
- Para un disco de 45 rpm, pulse el botón [45].

↪ Reproducción (pág.12)

### 4 Iluminación de la aguja

Se enciende para iluminar la punta de la aguja.

↪ Reproducción (pág.12)

### 5 Conmutador para la iluminación de la aguja

La iluminación de la aguja se enciende en luz blanca y asciende hasta la posición en la que la punta de la aguja se ilumina.

↪ Reproducción (pág.12)

### 6 Portacápsula

Se utiliza con un cartucho montado.

### 7 Botón RESET

### 8 Indicador RESET

Al pulsar el botón [RESET] gira el indicador [RESET]. Mientras el indicador [RESET] está encendido, el giradiscos gira a la velocidad especificada (33 1/3 rpm o 45 rpm), independientemente de la posición de la barra deslizante **TEMPO**.

↪ Ajuste del tono (pág.13)

### 9 Barra deslizante TEMPO

Puede deslizar la barra hacia adelante o atrás para realizar un ajuste fino de la velocidad de rotación.

↪ Ajuste del tono (pág.13)

### 10 Brazo fonocaptor

↪ Ajuste (pág.8)

### 11 Botón TEMPO RANGE

Cada vez que se pulsa el botón, el rango de tiempo cambia a  $\pm 8\%$ ,  $\pm 16\%$  o  $\pm 50\%$ .

↪ Ajuste del tono (pág.13)

### 12 Indicador TEMPO RANGE

El rango de tiempo ajustado se ilumina en azul.

### 13 Agarre del brazo

Sirve para agarrar el brazo fonocaptor.

### 14 Apoyo del brazo

Sirve como base de soporte para el brazo fonocaptor.

### 15 Palanca elevadora

El brazo fonocaptor asciende cuando se tira hacia arriba de la palanca. El brazo fonocaptor desciende cuando se aprieta la palanca hacia abajo.

### 16 Elevador del brazo

Este dispositivo se utiliza para mover el brazo fonocaptor hacia arriba y abajo. Se maneja mediante la palanca elevadora.

### 17 Dial ANTI SKATING

Cuando se reproduce un disco, hay una fuerza que tira de la punta de la aguja hacia el perímetro interior. Al hacer coincidir este dial con el valor de presión de la aguja, se elimina esta fuerza.

↪ Ajuste de anti-skating (pág.8)



### 18 Bloqueo HEIGHT ADJUST

Bloquea la altura ajustada del brazo.  
➔ *Ajuste de la altura del brazo* (pág.9)

### 19 Dial HEIGHT ADJUST

Se utiliza para ajustar la altura del brazo fonocaptor.  
➔ *Ajuste de la altura del brazo* (pág.9)

### 20 Contrapeso

Se utiliza para equilibrar el brazo fonocaptor y ajustar la presión de la aguja.  
➔ *Ajuste* (pág.8)

### 21 Anillo de ajuste de presión de la aguja

Se utiliza para hacer coincidir con la presión adecuada de aguja del cartucho.  
➔ *Ajuste de la presión de la aguja* (pág.8)

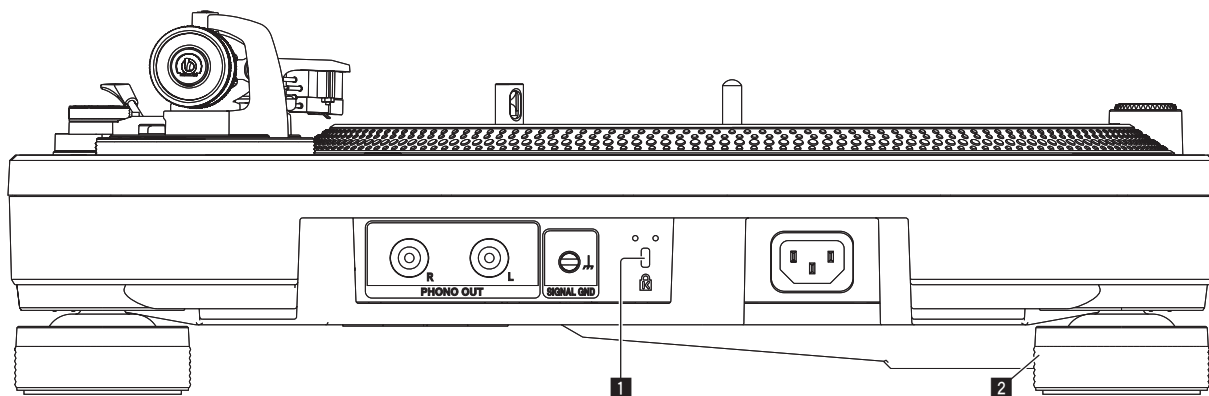
### 22 Soporte del portacápsula

Se utiliza para levantar el portacápsula.

### 23 Adaptador para discos EP

Se utiliza para reproducir discos EP estándar.  
➔ *Para reproducir un disco EP estándar* (pág.12)

## Panel trasero



Para conocer los terminales usados para las conexiones, vea *Descripciones de los terminales* en la página 10.

### 1 Ranura de seguridad Kensington

### 2 Aislador

Suprime los efectos de la vibración externa. Al girar el aislador se ajusta la altura del giradiscos.  
➔ *Ajuste de la altura de la unidad principal* (pág.11)

# Ajuste

## Ajuste del equilibrio del brazo fonocaptor

- Debido a que los pesos del portacápsula y del cartucho son diferentes en función del producto, se puede ajustar el equilibrio del brazo fonocaptor.

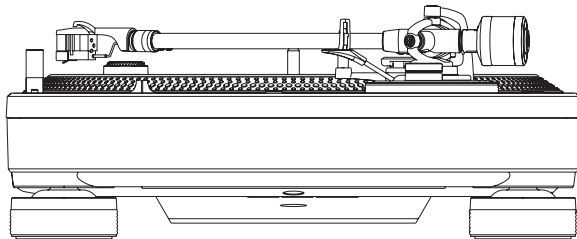
Realice la preparación del siguiente modo.

- Retire la cubierta de la aguja y el agarre del brazo teniendo cuidado de no tocar la punta de la aguja.
- Apriete hacia abajo la palanca elevadora.
- Ajuste el dial [ANTI SKATING] a "0".

### Mantenga el brazo fonocaptor lejos del apoyo del brazo y ajuste el equilibrio de modo que esté horizontal.

Gire el contrapeso hasta que el brazo esté casi en horizontal.

- Al mover el brazo fonocaptor, asegúrese de que la punta de la aguja no toca directamente el giradiscos y similares.



## Ajuste de la presión de la aguja

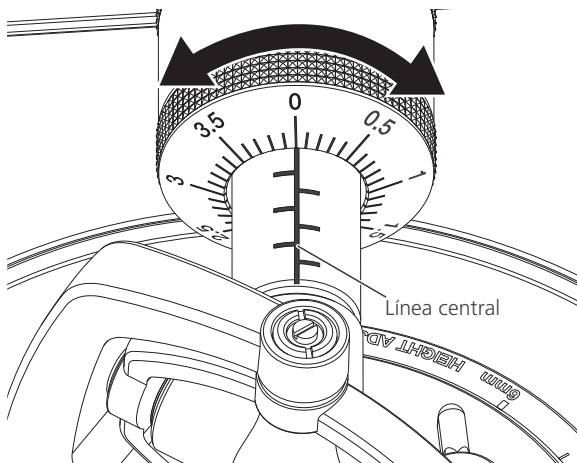
- Para evitar que la aguja salte o se distorsione el sonido, se ajusta la presión de la aguja al valor apropiado de la presión de aguja determinado para cada cartucho.

Realice la preparación del siguiente modo.

- Devuelva el brazo fonocaptor al apoyo del brazo y asegúrelo mediante el agarre del brazo.

### 1 Haga coincidir el "0" en el anillo de ajuste de presión de la aguja con la línea central del eje trasero del brazo.

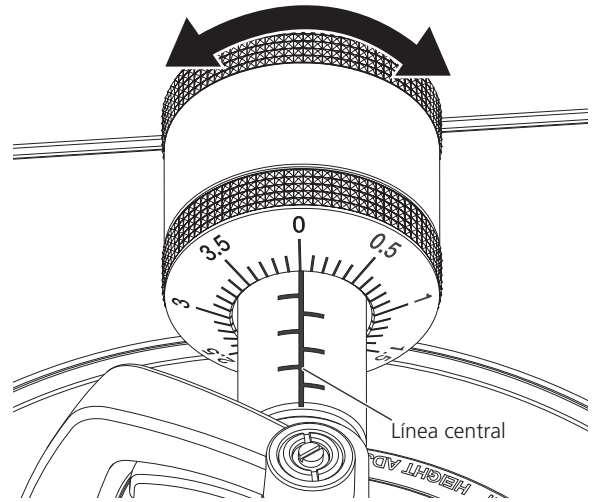
Mientras utiliza su dedo para mantener el contrapeso de modo que no se mueva, ajuste sólo el anillo de ajuste de presión de la aguja de modo que el número "0" coincida con la línea central negra del eje trasero del brazo fonocaptor.



## 2 Ajuste de la presión de la aguja.

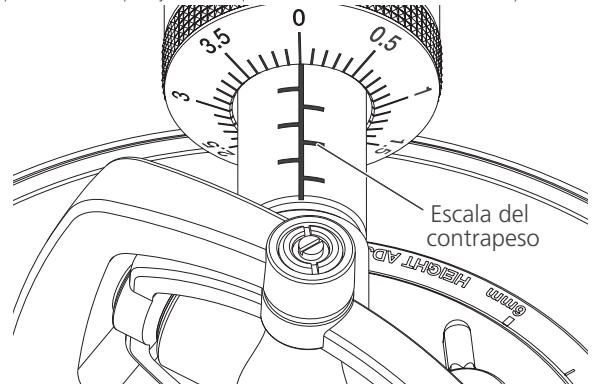
Gire el contrapeso para ajustarlo al valor apropiado de la presión de la aguja para su cartucho.

- Al girar el contrapeso, se gira conjuntamente el anillo de ajuste de presión de la aguja. Mientras observa el anillo de ajuste, ajuste la presión de la aguja al valor adecuado.



## Uso de la escala de sujeción del contrapeso

Es recomendable recordar la posición de la escala del contrapeso de su portacápsula con cartucho debido a que se puede ajustar la presión de aguja apropiada estableciéndola en la posición ajustada de la escala del contrapeso sin tener que ajustar el equilibrio horizontal del brazo fonocaptor.



1 Monte su portacápsula con cartucho en el brazo fonocaptor.

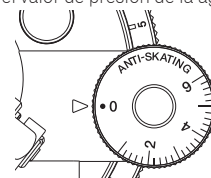
2 Mediante el valor ajustado para el contrapeso ajuste la posición de la escala de sujeción del contrapeso.

## Ajuste de anti-skating

Este ajuste se realiza para evitar los saltos de la aguja.

Ha de coincidir con la misma posición de la escala que el valor de presión de la aguja.

Gire el dial [ANTI SKATING] para que coincida con la línea de referencia del mismo valor que el valor de presión de la aguja del cartucho.



## Cuando se realiza una reproducción scratch

Para evitar los saltos de aguja, ajuste la posición de la escala para que coincida con la acción de reproducción.

## Ajuste de la altura del elevador del brazo

Si fuera necesario, realice el ajuste para que coincida con el cartucho utilizado.

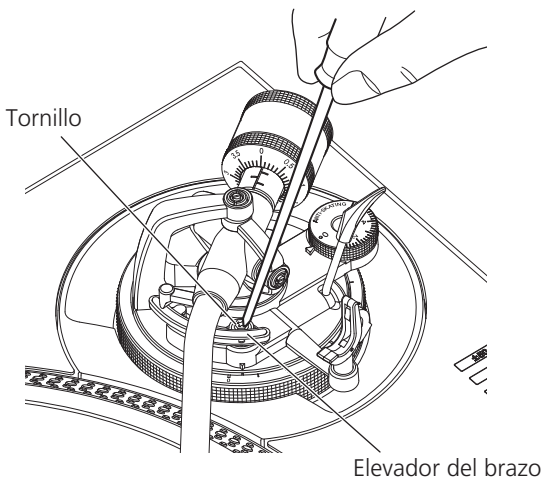
Realice la preparación del siguiente modo.

- Coloque un disco en el plato del giradiscos.
- Retire la cubierta de la aguja y el agarre del brazo teniendo cuidado de no tocar la punta de la aguja.
- Tire hacia arriba de la palanca elevadora y desplace el brazo fonocaptor hasta el disco.

### Ajuste la altura girando el tornillo mientras el alzador del brazo baja.

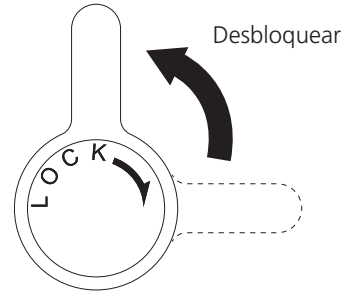
- Al girar en sentido horario se reduce la distancia entre el disco y la aguja.
- Al girar en sentido antihorario se amplía la distancia entre el disco y la aguja.

La altura del elevador del brazo (la distancia entre el disco y la aguja cuando se sube la palanca elevadora) está ajustada de fábrica en un rango entre aproximadamente 8 mm y 13 mm.



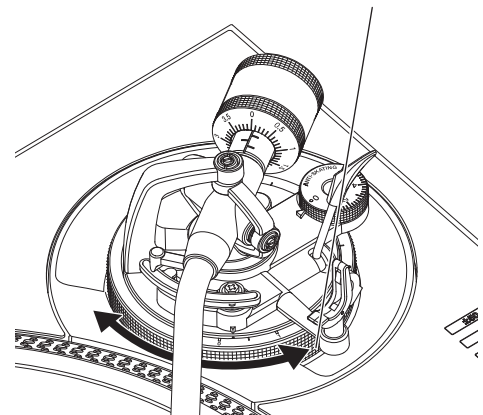
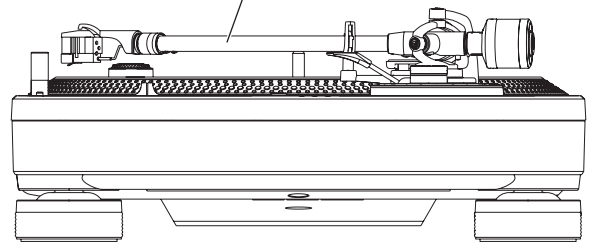
## Ajuste de la altura del brazo

1 Gire el bloqueo [HEIGHT ADJUST] para desbloquearlo.

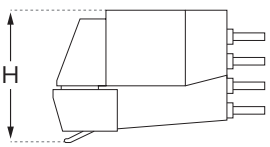


2 Apriete hacia abajo la palanca elevadora y coloque la aguja en el disco; a continuación, ajuste el dial [HEIGHT ADJUST] para poner en paralelo el brazo fonocaptor y el disco.

Ajustar de modo que el brazo fonocaptor quede horizontal



Consulte la siguiente tabla para ajustar el dial [HEIGHT ADJUST] para que su altura coincida con el tamaño del cartucho.

	Tamaño del cartucho H (mm)	Dial [HEIGHT ADJUST] posición de escala
		19
	20	1
	21	2
	22	3
	23	4
	24	5
	25	6

3 Gire el bloqueo [HEIGHT ADJUST] para fijar la altura del brazo.

Después de haber ajustado la altura del brazo, gire siempre el bloqueo [HEIGHT ADJUST] para fijar el brazo.

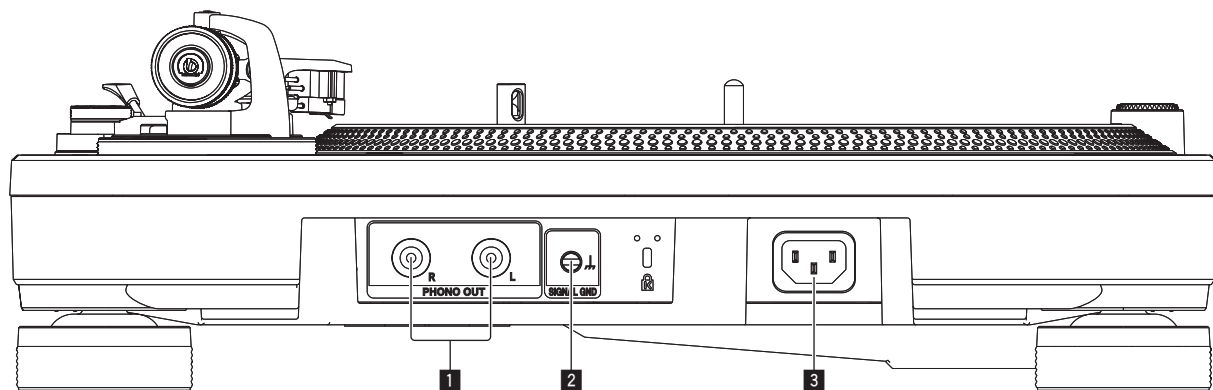
## Cuando se realiza una reproducción scratch

Para evitar los saltos de aguja, utilice el dial [HEIGHT ADJUST] para ajustar la altura del brazo para que coincida con la acción de reproducción.

# Conexiones

- Asegúrese de desconectar la alimentación y desenchufar el cable de alimentación de la toma de corriente siempre que haga o cambie conexiones.
- Consulte el manual de instrucciones del componente que va a ser conectado.
- Conecte el cable de alimentación después de terminar las conexiones entre los aparatos.

## Descripciones de los terminales



### 1 Terminales PHONO OUT

Conecte los cables de audio (incluidos) aquí.

### 2 Terminal SIGNAL GND

Conecte el cable de tierra (accesorio). Esto ayuda a reducir el ruido cuando se conecta un reproductor analógico.

### 3 AC IN

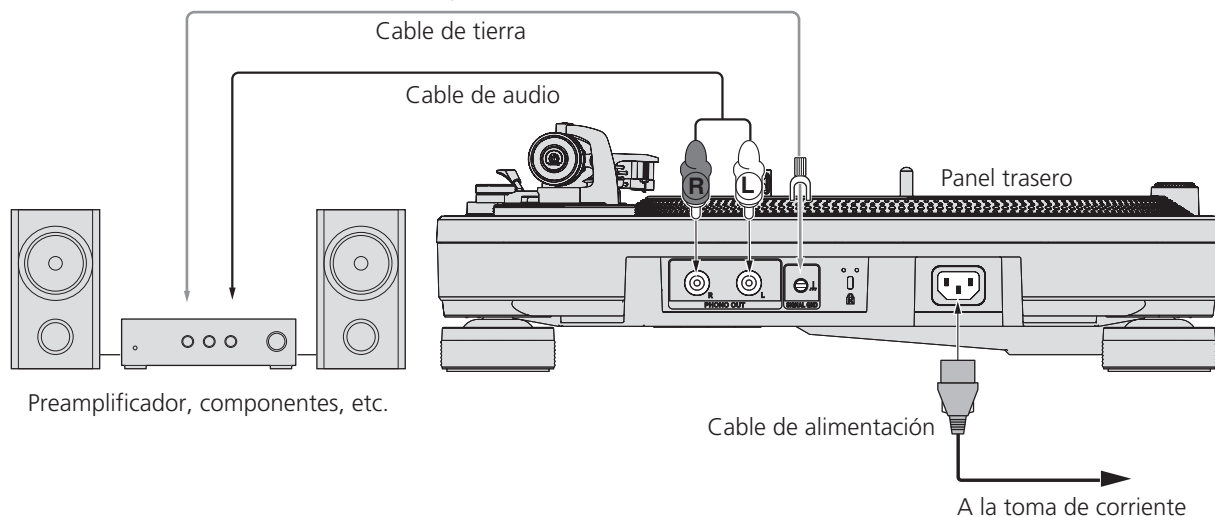
Conecta a una toma de corriente con el cable de alimentación incluido. Espere hasta que todas las conexiones entre el equipo estén terminadas antes de conectar el cable de alimentación.

- Asegúrese de usar el cable de alimentación incluido.

## Estilo básico

- Conecta a una toma de corriente con el cable de alimentación incluido. Espere hasta que todas las conexiones entre el equipo estén terminadas antes de conectar el cable de alimentación.
- Consulte el manual de instrucciones del componente que va a ser conectado.

## Conexión a un preamplificador y a un componente



### 1 Conecte el cable de audio y el cable de tierra al terminal de entrada [PHONO] del preamplificador o de otro componente.

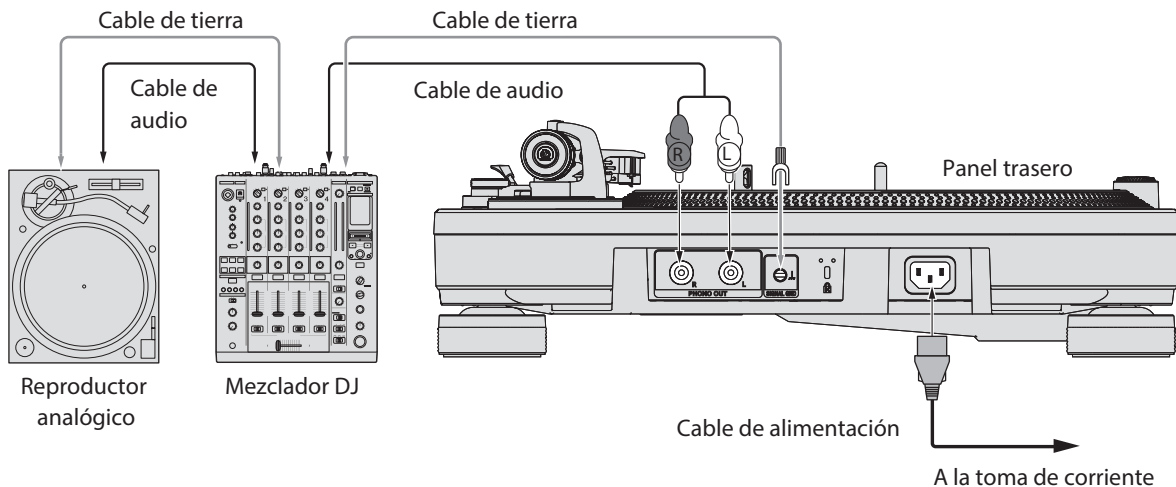
- Si este producto se conecta a un preamplificador o a un componente que no tenga un terminal [PHONO], no se puede alcanzar el volumen suficiente ni la calidad de sonido necesaria. En tal caso, utilice el ecualizador fonográfico.
- Asegúrese de conectar el cable de tierra. Si la unidad no tiene una toma de tierra adecuada, se produce un zumbido de corriente (sonido tipo ronquido).

### 2 Conecte el cable de alimentación.

Conecta a una toma de corriente con el cable de alimentación incluido. Espere hasta que todas las conexiones entre el equipo estén terminadas antes de conectar el cable de alimentación.

- Antes de conectarse a la fuente de alimentación (salida de corriente alterna) montada en el equipo conectado, compruebe la potencia en vatios mostrada en la fuente de alimentación. (Esta unidad consume 9 W de potencia.)

## Conexión a un mezclador DJ



### 1 Conecte el cable de audio y el cable de tierra al terminal de entrada [PHONO] del mezclador DJ.

- Si este producto se conecta a un mezclador DJ que no tenga un terminal de entrada [PHONO], no se puede alcanzar el volumen suficiente ni la calidad de sonido debida.
- Asegúrese de conectar el cable de tierra. Si la unidad no tiene una toma de tierra adecuada, se produce un zumbido de corriente (sonido tipo ronquido).

### 2 Conecte el cable de alimentación.

Conecta a una toma de corriente con el cable de alimentación incluido. Espere hasta que todas las conexiones entre el equipo estén terminadas antes de conectar el cable de alimentación.

- Antes de conectarse a la fuente de alimentación (salida de corriente alterna) montada en el equipo conectado, compruebe la potencia en vatios mostrada en la fuente de alimentación. (Esta unidad consume 9 W de potencia.)

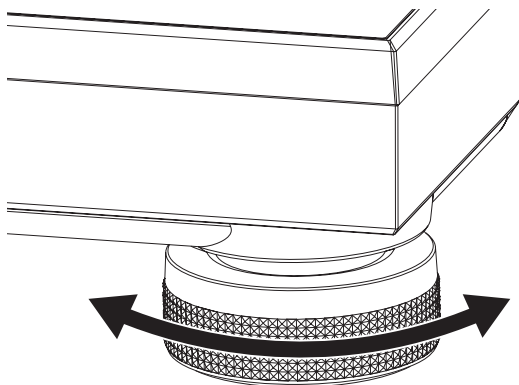
## Lugar de instalación

Coloque la unidad sobre una superficie plana que esté libre de vibraciones externas.

- Dentro de lo posible, mantenga la unidad alejada del sistema de altavoces.
- Si la unidad está muy cerca de una radio (emisiones AM/FM), la radio puede generar ruidos. Mantenga la distancia máxima posible con la unidad.

## Ajuste de la altura de la unidad principal

Ajuste la altura girando el aislador de modo que la unidad principal esté horizontal.



---

---

# Operación

---

---

## Conexión de la alimentación

**1 Haga todas las conexiones y luego conecte el cable de alimentación en una toma de corriente.**

➔ Conexiones (pág.10)

**2 Cambie el conmutador [POWER] hacia el lado [ON] para encender la unidad.**

Los indicadores de esta unidad se encienden y se conecta la alimentación.

---

---

## Desconexión de la alimentación

**Cambie el conmutador [POWER] hacia el lado [OFF] para apagar la unidad.**

La alimentación de esta unidad se desconecta.

---

---

## Reproducción

Realice la preparación del siguiente modo.

- Coloque un disco en el giradiscos.
- Retire la cubierta de la aguja y el agarre del brazo.

**1 Cambie el conmutador [POWER] hacia el lado [ON] para encender la unidad.**

**2 Pulse el botón [START/STOP].**

El giradiscos comienza a girar.

**3 Pulse el botón [RESET].**

El indicador [RESET] se ilumina en amarillo verdoso y la velocidad vuelve a las revoluciones por minuto (33 1/3 o 45 rpm) prescritas.

**4 Tire hacia arriba de la palanca elevadora y desplace el brazo fonocaptor hasta el disco.**

**5 Apriete hacia abajo la palanca elevadora.**

El brazo fonocaptor desciende lentamente y comienza la reproducción.

---

---

## Pausa de la reproducción

**Tire de la palanca elevadora hacia arriba.**

La aguja del cartucho se eleva alejándose del disco.

- Para volver a la reproducción, apriete hacia abajo la palanca elevadora.

---

---

## Final de la reproducción

**1 Tire hacia arriba de la palanca para devolver el brazo fonocaptor al apoyo del brazo y después apriete hacia abajo la palanca elevadora.**

**2 Pulse el botón [START/STOP].**

Un freno electrónico hace que el giradiscos se detenga suavemente.

**3 Cambie el conmutador [POWER] hacia el lado [OFF] para apagar la unidad.**

Utilice el agarre del brazo para asegurar el brazo fonocaptor.

Para proteger la punta de la aguja, ponga la cubierta de la aguja.

---

---

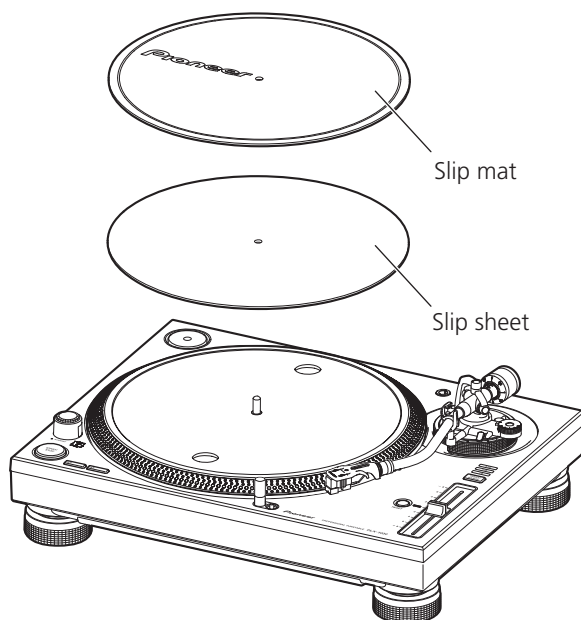
## Acerca del slip mat y el slip sheet

### Slip mat

Si utiliza el patinador (slip mat) en vez del plato del giradiscos, puede detener el disco a mano durante la reproducción o girar el giradiscos al revés.

### Slip sheet

Cuando se utiliza el slip sheet debajo del slip mat, el deslizamiento de scratch se vuelve suave.



---

---

## Para reproducir un disco EP estándar

Instale el adaptador de discos EP en el husillo central y pulse el botón [45].

---

---

## Iluminación de la punta de la aguja

Cuando se pulsa el conmutador para la iluminación de la aguja, se enciende la iluminación de la aguja en luz blanca y asciende hasta la posición en la que la punta de la aguja se ilumina.

- Si no se necesita, pulse el interruptor del iluminador de la aguja; este se apagará.

---

---

## Colocación de la cubierta guardapolvo

Una vez que haya acabado de utilizar la unidad, sujete ambos lados de la cubierta guardapolvo y colóquela directamente desde encima.

# Ajuste del tono

**1 Pulse el botón [RESET] para apagar el indicador [RESET].**

**2 Mueva la barra deslizante [TEMPO] hacia delante o hacia atrás.**

Si mueve la barra deslizante hacia adelante, se incrementa la velocidad de rotación y, si la mueve hacia atrás, disminuye la velocidad de rotación.

- La escala de la barra deslizante [TEMPO] es un valor aproximado. Utilícela como guía.

**3 Pulse el botón [TEMPO RANGE].**

El margen de ajuste de la barra deslizante [TEMPO] cambia cada vez que se pulsa el botón. El indicador de margen de ajuste se ilumina.

Valor de ajuste	Unidades de ajuste
±8	0,016 %
±16	0,032 %
±50	0,1 %

## Regreso al tono habitual

**Pulse el botón [RESET].**

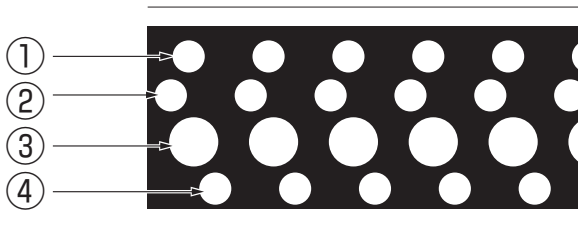
Al pulsar el botón [RESET] gira el indicador [RESET]. Mientras el indicador [RESET] está encendido, el giradiscos gira a la velocidad especificada (33 1/3 rpm o 45 rpm), independientemente de la posición de la barra deslizante TEMPO.

## Detección del tono

Se puede detectar un tono más preciso observando las cuatro filas de patrones estroboscópicos grabados alrededor del giradiscos.

- Una iluminación estroboscópica (luz LED azul) se utiliza para iluminar el patrón estroboscópico de la unidad. Utilice siempre la iluminación estroboscópica al detectar el tono.

### Patrón estroboscópico



- ① Cuando el patrón del estroboscopio parezca detenido +7,2 % cambia el tono
- ② Cuando el patrón del estroboscopio parezca detenido +3,3 % cambia el tono
- ③ Cuando el patrón del estroboscopio parezca detenido Velocidad específica de giro (33 1/3 rpm o 45 rpm)
- ④ Cuando el patrón del estroboscopio parezca detenido -3,3 % cambia el tono

# Información adicional

## Solución de problemas

- La operación incorrecta se confunde a menudo con un problema o un fallo de funcionamiento. Si piensa que algo no funciona bien con este componente, verifique los puntos de abajo y las **[FAQ]** para el **[PLX-1000]** en el sitio de asistencia Pioneer DJ. <http://pioneerdj.com/support/>  
Algunas veces, el problema puede estar en otro componente. Inspeccione los otros componentes y los aparatos eléctricos que esté utilizando. Si no se puede rectificar el problema, pida al servicio de Pioneer autorizado más cercano o a su concesionario que realice el trabajo de reparación.
- Esta unidad puede no funcionar bien debido a la electricidad estática o a otras influencias externas. En este caso, el funcionamiento apropiado se puede restaurar desconectando la alimentación, esperando 1 minuto y volviendo a conectar la alimentación.

Problema	Verificación	Remedio
La alimentación no se conecta.	¿Está bien conectado el cable de alimentación? ¿Está el interruptor <b>[POWER]</b> para la alimentación de corriente puesto en <b>[ON]</b> ?	Conecte bien el cable de alimentación incluido a una toma de corriente. Coloque el interruptor <b>[POWER]</b> para la alimentación de corriente en <b>[ON]</b> .
No hay sonido o éste está muy bajo.	¿Están bien conectados los cables de audio? ¿Están sucios los terminales y las clavijas? ¿Está montado correctamente el portacápsula?	Conecte correctamente los cables de audio. Limpie los terminales y las clavijas antes de hacer conexiones. Monte correctamente el portacápsula.
Los sonidos izquierdo y derecho están invertidos.	¿Están invertidas las conexiones izquierda y derecha para cada parte del equipo?	Conecte correctamente el cable de audio y los conductores de la pieza portacápsula.
Se produce un zumbido grave (sonido tipo ronquido o zumbido) durante la reproducción.	¿Hay un dispositivo eléctrico como una lámpara fluorescente o su cable de alimentación cerca del cable de alimentación de la unidad? ¿Está desconectado el cable de tierra del sistema giradiscos?	Coloque el cable de alimentación de la lámpara fluorescente o del otro dispositivo lo más lejos posible. Conecte el cable de tierra correctamente.
La punta de la aguja no desciende hasta alcanzar el disco.	¿Está ajustada la presión de la aguja correctamente? ¿Está equilibrado el brazo horizontalmente?	Haga coincidir el contrapeso al valor apropiado de la presión de la aguja para su cartucho. Gire el contrapeso hasta que el brazo fonocaptor se encuentre en estado horizontal.
Se producen saltos de la aguja.	¿Está ajustada la presión de la aguja correctamente? ¿Está alabeado el disco o está rayado? ¿Se ha acumulado en la punta de la aguja una gran cantidad de polvo? ¿Está ajustado correctamente el anti-skating? ¿Está ajustada correctamente la altura del brazo?	Haga coincidir el contrapeso al valor apropiado de la presión de la aguja para su cartucho. Compruebe el estado del disco. Retire el portacápsula con el cartucho y utilice un pincel de punta suave o un pincel de escritura para eliminar con cuidado el polvo, etc. de la punta de la aguja. Ajuste el anti-skating correctamente. Ajuste correctamente la altura del brazo.
El brazo se detiene a lo largo del camino y no sigue adelante.	¿Está rayado el disco?	Compruebe el estado del disco.
El volumen de sonido es bajo o alto.	¿Tiene contacto el brazo con algún obstáculo? ¿Es adecuada la conexión con el amplificador para el tipo de cartucho (salida)?	Compruebe alrededor del brazo. Si hay algún obstáculo, retírelo. Conecte correctamente los cables de conexión.

## Cuidados para el uso

### Acerca de la condensación

En invierno pueden formarse gotas de agua (condensación) dentro de la unidad (en las partes de funcionamiento o en la lente), por ejemplo, si ésta se pasa de un lugar frío a otro caliente o si la temperatura de la habitación donde está instalada la unidad aumenta repentinamente (empleando una calefacción, etc.). La unidad no funcionará correctamente o no funcionará en absoluto con condensación en su interior. Deje la unidad a la temperatura ambiental de la habitación durante 1 ó 2 horas (aunque este tiempo depende de las condiciones de la condensación) sin conectar su alimentación. Las gotas de agua se evaporarán y la unidad podrá reproducir. La condensación también se puede producir en verano si la unidad se expone a la salida directa de aire procedente de un acondicionador de aire, etc. Si pasa esto, ponga la unidad en una posición diferente.

### Al transportar la unidad a otra ubicación

Utilice los materiales de embalaje originales para empaquetar la unidad. Si los materiales de embalaje originales no están disponibles, asegúrese de realizar lo siguiente.

- Desmonte el plato y el giradiscos y empaquételes con cuidado.
- Desmonte el portacápsula y el contrapeso del brazo y empaquételes con cuidado.

- Utilice el agarre del brazo para asegurar el brazo fonocaptor y utilice cinta adhesiva para fijarlo sin que pueda moverse.
- Envuelva la unidad central en una manta o un papel suave de modo que no se dañe.

## Mantenimiento de cada parte

Al montar y desmontar el portacápsula, apague la alimentación del amplificador.

Si lo hace mientras el volumen es alto, se pueden dañar los altavoces.

- Retire el portacápsula con el cartucho y utilice un pincel de punta suave o un pincel de escritura para eliminar con cuidado el polvo, etc. de la punta de la aguja.
- Utilice un limpiador de buena calidad para limpiar los discos.
- Utilice un paño suave o similar para limpiar el terminal del portacápsula y vuelva a montarlo en el brazo fonocaptor.

### Limpieza de la cubierta guardapolvo, etc.

Utilice un paño suave para limpiar la cubierta guardapolvo y el gabinete

- No limpie la cubierta guardapolvo durante la reproducción. La energía estática puede provocar que el brazo fonocaptor sea empujado por la cubierta guardapolvo.



---

---

## Acerca de las marcas de fábrica y marcas registradas

- Pioneer es una marca registrada de PIONEER CORPORATION. Los nombres de compañías y productos mencionados aquí son marcas de fábrica de sus respectivos propietarios.

---

---

## Especificaciones

Requisitos de potencia..... CA 110 V a 120 V, o 220 V a 240 V, 50 Hz/60 Hz  
Consumo de energía..... 9 W  
Peso de la unidad principal ..... 14,6 kg  
Dimensiones máximas..... 453 mm (An) × 159 mm (Al) × 353 mm (Pr)  
Temperatura de funcionamiento tolerable..... +5 °C a +35 °C  
Humedad de funcionamiento tolerable ..... 5 % a 85 % (sin condensación)

### Parte del giradiscos

Método de accionamiento..... Accionamiento directo tipo servo  
Motor ..... Motor sin escobillas de 3 fases de cc  
Sistema de freno ..... Freno electrónico  
Velocidad de rotación ..... 33 1/3 rpm, 45 rpm  
Rango de ajuste de la velocidad de rotación ..... ±8 %, ±16 %, ±50 %  
Lloro y fluctuación..... 0,01 % o inferior a WRMS  
Medición realizada obteniendo la señal del generador de frecuencias integrado del conjunto del motor.  
Relación señal/ruido..... 70 dB (DIN-B)  
Giradiscos.... Caja de fundición a presión de aluminio; diámetro: 332 mm  
Presión de arranque ..... 4,5 kg·cm o más  
Tiempo de arranque..... 0,3 segundos (a 33 1/3 rpm)

### Parte del brazo fonocaptor

Tipo de brazo ..... Brazo fonocaptor universal de tipo forma en S, estructura de alojamiento de tipo gimbal admitido, tipo de equilibrado estático  
Longitud efectiva..... 230 mm  
Saliente..... 15 mm  
Error de pista ..... Dentro de 3°  
Rango de ajuste de la altura del brazo ..... 6 mm  
Rango variable de presión de la aguja ..... 0 g a 4,0 g (1 escala 0,1 g)  
Peso propio del cartucho ..... 3,5 g a 13 g (cartucho simple)  
Cuando se utiliza peso de portacápsula..... 3,5 g a 6,5 g  
Cuando solo se utiliza contrapeso ..... 6,0 g a 10 g  
Cuando se utiliza peso auxiliar ..... 9,5 g a 13 g

### Consumo de energía para México

Modo normal<sup>1)</sup> ..... 9 Wh/día

<sup>1)</sup> Considerando 1 hora de uso al día

— Las especificaciones y diseño de este producto están sujetos a cambios sin previo aviso.

— © 2014 PIONEER CORPORATION. Todos los derechos reservados.

Obrigado por adquirir este produto da Pioneer. Leia atentamente estas instruções de funcionamento de modo a saber como utilizar correctamente o seu modelo. Após terminar de ler as instruções, coloque-as num local seguro para futura referência. Em alguns países ou regiões, a forma da ficha de alimentação e da tomada por vezes podem diferir das apresentadas nos desenhos explicativos. Contudo, o método para ligar e utilizar a unidade é o mesmo.



Se quiser eliminar este produto, não o misture com resíduos domésticos gerais. Existe um sistema de recolha separado para produtos electrónicos usados de acordo com a legislação que requer tratamento, recuperação e reciclagem adequados.

Os consumidores dos Estados-membros da UE, da Suíça e da Noruega podem entregar equipamentos electrónicos fora de uso em determinadas instalações de recolha ou a um retalhista (se adquirirem um equipamento novo similar).

Nos países não mencionados acima, informe-se sobre o método de eliminação correcto junto das autoridades locais.

Ao fazê-lo estará a garantir que o produto que já não tem utilidade para si é submetido a processos de tratamento, recuperação e reciclagem adequados, evitando-se assim potenciais efeitos negativos para o ambiente e a saúde humana.

K058b\_A1\_Pt

## AVISO

Este aparelho não é à prova de água. Para prevenir o perigo de incêndio ou choque eléctrico, não coloque perto dele recipientes contendo líquidos (tais como uma jarra ou um vaso de flores) nem o exponha a pingos, salpicos, chuva ou humidade.

D3-4-2-1-3\_A1\_Pt

## Ambiente de funcionamento

Temperatura e humidade do ambiente de funcionamento:

+5 °C a +35 °C; humidade relativa inferior a 85 % (respiradouros de refrigeração não bloqueados)

Não instale o aparelho num espaço insuficientemente arejado ou em locais expostos a uma humidade elevada ou a luz solar directa (ou a iluminação artificial intensa).

D3-4-2-1-7c\*\_A1\_Pt

## AVISO

Este produto está equipado com uma de ficha ligação à terra de três fios - um ficha que possui um terceiro pino (ligação à terra). Esta ficha apenas encaixa numa tomada do tipo de ligação de terra. Se não conseguir inserir a ficha numa tomada, contacte com um electricista qualificado para substituir a tomada por uma com ligação à terra. Não descure os procedimentos de segurança dos cabos de ligação à terra.

D3-4-2-1-6\_A1\_Pt

## CUIDADO

O botão **POWER** do aparelho não o desliga completamente da energia fornecida pela tomada CA. Uma vez que o cabo de alimentação serve como o principal dispositivo de desconexão, será necessário desligá-lo da tomada para desligar toda a alimentação. Por isso, verifique se a unidade foi instalada de forma que o cabo de alimentação possa ser facilmente desligado da tomada AC, em caso de acidente. Para prevenir o risco de incêndio, deverá desligar igualmente o cabo de alimentação de energia da tomada CA quando o aparelho não for utilizado durante um período prolongado (por exemplo, durante um período de férias).

D3-4-2-2-2a\*\_A1\_Pt

## CUIDADO

PARA PREVENIR O PERIGO DE CHOQUE ELÉCTRICO, NÃO REMOVA A COBERTURA (NEM A PARTE POSTERIOR). NÃO EXISTEM NO INTERIOR PEÇAS REPARÁVEIS PELO UTILIZADOR. A MANUTENÇÃO DEVE SER EFECTUADA POR PESSOAL ESPECIALIZADO.

D3-4-2-1-1\_B1\_Pt

## AVISO SOBRE O CABO DE ALIMENTAÇÃO

Manuseie o cabo de alimentação através da ficha. Não retire a ficha puxando o cabo e nunca toque no cabo de alimentação com as mãos húmidas, pois pode provocar um curto-circuito ou choque eléctrico. Não coloque a unidade, um móvel, etc., sobre o cabo de alimentação nem trilhe o cabo. Nunca faça um nó no cabo nem o amarre a outros cabos. Os cabos de alimentação devem ser encaminhados de modo a não serem pisados. Um cabo de alimentação danificado pode provocar um incêndio ou um choque eléctrico. Verifique periodicamente o cabo de alimentação. Quando estiver danificado, solicite um cabo de alimentação de substituição junto do seu revendedor ou centro de assistência autorizado PIONEER.

S002\*\_A1\_Pt

## CUIDADOS COM A VENTILAÇÃO

Quando instalar esta unidade, certifique-se de que deixa espaço em torno da unidade para ventilação de modo a melhorar a radiação térmica (pelo menos 15 cm na parte superior, 5 cm na parte posterior e 5 cm em cada um dos lados).

D3-4-2-1-7d\*\_A1\_Pt

## WARNING

Guarde as peças pequenas fora do alcance das crianças. Se forem engolidas acidentalmente, contacte imediatamente um médico.

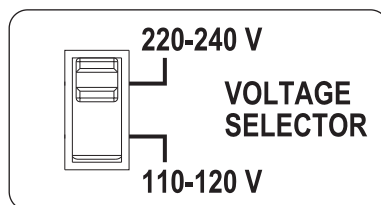
D41-6-4\_A1\_Pt

## Selector de voltagem

Nos modelos com multivoltagem, o interruptor selector de voltagem encontra-se no painel superior.

**A definição de fábrica do selector de voltagem é 220-240 V. Defina o selector para a voltagem adequada ao seu país ou região.**

Antes de alterar a voltagem, desligue o cabo de alimentação de CA. Utilize uma chave de parafusos de tamanho médio para alterar a posição do interruptor selector de voltagem.



D3-4-2-1-5\*\_A2\_Pt

## AVISO

Para prevenir o perigo de incêndio, não coloque fontes de chamas nuas (tais como uma vela acesa) sobre o aparelho.

D3-4-2-1-7a\_A1\_Pt

# índice

## Como ler este manual

Neste folheto, os nomes dos botões e dos terminais da unidade principal são indicados entre parêntesis rectos ([ ]).

Exemplos:

- Prima o botão [START/STOP].
- Se ligar o produto a um componente ou amplificador integrado que não tenha um terminal [PHONO], pode não obter o volume e a qualidade de som adequados. Nesse caso, utilize o equalizador PHONO.

## 01 Antes de começar

Características.....	3
Conteúdo da embalagem.....	3

## 02 Antes de começar

Acerca da célula.....	4
Montagem.....	4

## 03 Nomes de peças e funções

Painel superior.....	6
Painel posterior.....	7

## 04 Regulação

Regular o balanço do braço de leitura.....	8
Regular a pressão da agulha.....	8
Regular o anti-skating.....	9
Regular a altura do elevador do braço.....	9
Regular a altura do braço.....	9

## 05 Ligações

Descrição dos terminais.....	10
Estilo básico.....	10
Local de instalação.....	11

## 06 Funcionamento

Ligar a alimentação.....	12
Desligar a alimentação.....	12
Reprodução.....	12
Interromper a reprodução.....	12
Terminar a reprodução.....	12
Regular o pitch.....	13

## 07 Informações adicionais

Resolução de problemas.....	14
Cuidados no uso.....	14
Manutenção de cada peça.....	14
Acerca de marcas comerciais e marcas comerciais registadas.....	15
Especificações.....	15

# Antes de começar

## Características

Esta unidade é um gira-discos profissional que fornece funções, durabilidade, operacionalidade e qualidade de som adequadas para a uma grande variedade de ocasiões, tanto para audição em casa como em discotecas ou clubes.

## Sistema de transmissão directa que permite um binário elevado

A unidade roda a uma velocidade constante com uma distorção e flutuação de 0,1 % ou menos, um binário inicial de 4,5 kg-cm ou mais e um tempo de arranque de 0,3 segundos (a 33 1/3 RPM).

## Design centrado numa qualidade de som elevada

- No que se refere ao terminal RCA, escolhemos um componente com banho de ouro feito do mesmo produto do que o leitor TAD, que é a nossa marca de vanguarda. Uma ligação estável transmite directamente o sinal PHONO.
- Os efeitos de vibração externa são eliminados através da utilização de material de eliminação de vibrações entre o compartimento superior e o compartimento inferior.

## Controlo de tempo com 3 níveis de regulação, de elevada precisão

- Amplitude de tempo variável que pode ser regulada para  $\pm 8\%$ ,  $\pm 16\%$  e  $\pm 50\%$ . Isto proporciona uma reprodução altamente flexível.
- Ao premir o botão [RESET] repõe instantaneamente o tempo numa rotação constante de  $\pm 0\%$ .

## Cabo de alimentação e cabos de áudio amovíveis

- Os cabos não são um obstáculo quando move a unidade principal o que evita problemas de ligação.
- Se substituir o cabo de áudio pode personalizar a unidade de forma a obter o som que prefere.

## Conteúdo da embalagem

- Prato
- Tapete do prato
- Tapete anti estático
- Folha anti estática
- Tampa antipó
- Adaptador para disco EP
- Contrapeso
- Peso secundário
- Cabeça
- Peso
- Cabo de alimentação
- Cabo de áudio
- Fio de ligação à terra
- Garantia (apenas para algumas regiões)<sup>[1]</sup>
- Instruções de operação (este documento)

[1] A garantia incluída é para a região europeia.

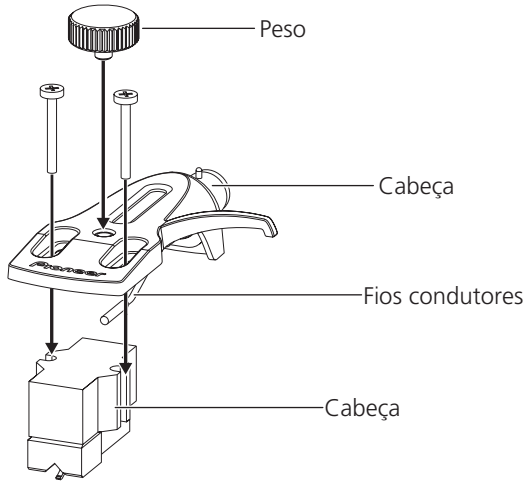
# Antes de começar

## Acerca da célula

- A célula não é fornecida.
- Consulte o manual de instruções da célula.

### Instale a célula na cabeça.

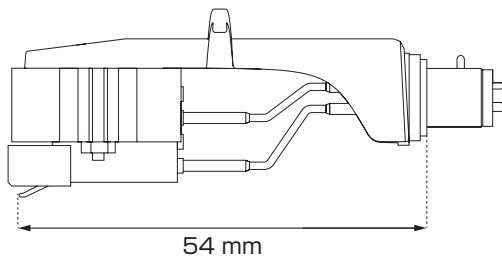
Os fios condutores da parte da cabeça têm um código de cores. Utilize um alicate ou uma ferramenta semelhante para ligar correctamente os fios ao terminal correspondente da célula de acordo com as indicações existentes nesta última.



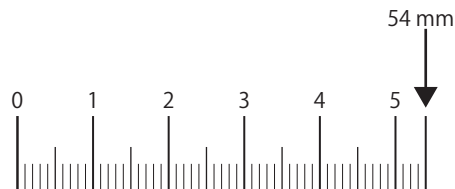
- Se utilizar uma célula com 3,5 g a 6,5 g, utilize o peso fornecido.

## Ajustar o parte saliente

Utilize a escala de ajustamento do parte saliente mostrada abaixo para regular a posição utilizando o parafuso de fixação da célula de maneira a que a ponta da agulha fique posicionada a 54 mm de distância da parte de fixação do braço de leitura.



### Escala de ajustamento do parte saliente

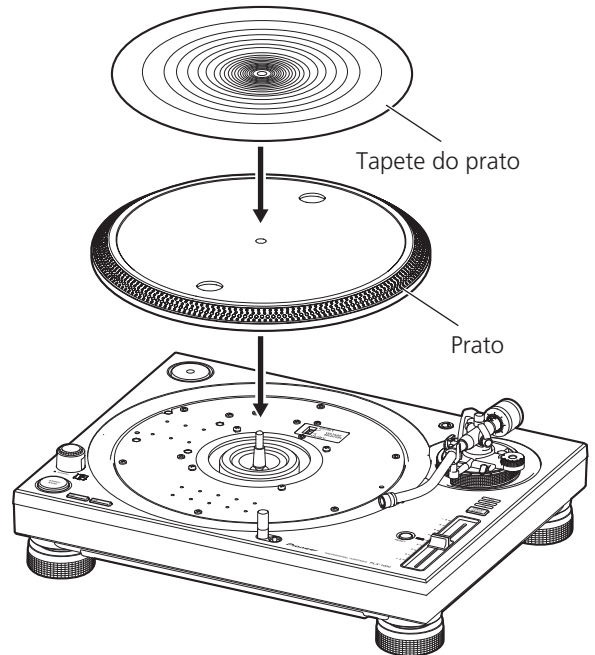


# Montagem

## 1 Monte o prato e o tapete.

Coloque o prato no eixo central e coloque o tapete em cima do prato.

- Tenha cuidado para não bater com o prato na unidade principal nem o deixar cair.
- Certifique-se de que não existe pó de ferro nem outro tipo de sujidade colado ao íman existente na parte traseira do prato.
- Não toque no parafuso de fixação do íman do prato (3 locais). Se alterar a posição do parafuso de fixação não é possível garantir o desempenho especificado.

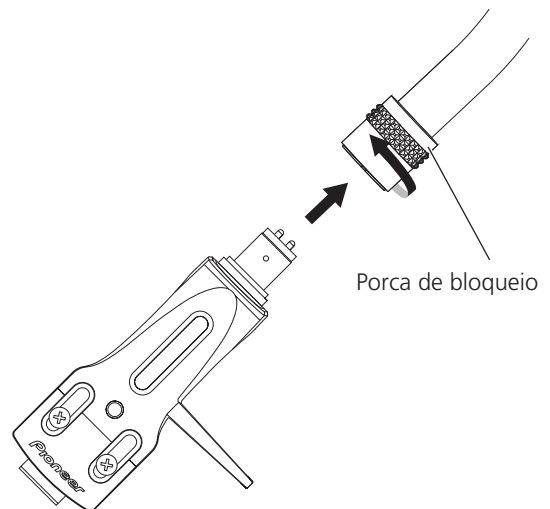


## 2 Instale a célula na cabeça.

Os fios condutores da parte da cabeça têm um código de cores. Utilize um alicate ou uma ferramenta semelhante para ligar correctamente os fios ao terminal correspondente da célula de acordo com as indicações existentes nesta última.

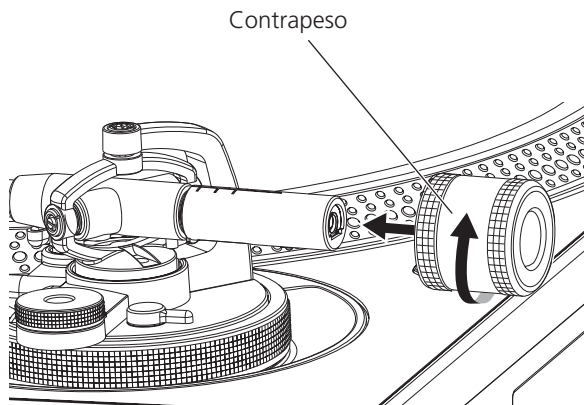
## 3 Monte a cabeça.

Introduza a cabeça com a célula montada no braço de leitura. Em seguida, mantendo a cabeça no horizontal, aperte a porca de fixação.

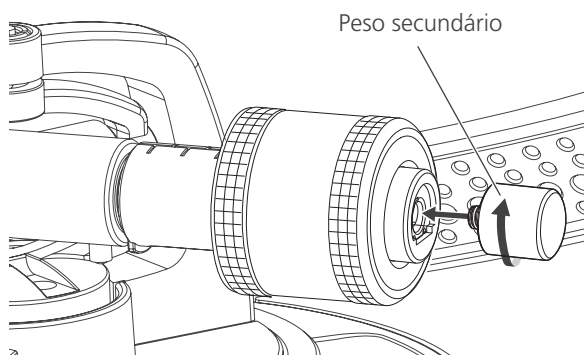


#### 4 Monte o contrapeso.

Monte o contrapeso no eixo traseiro do braço de leitura.

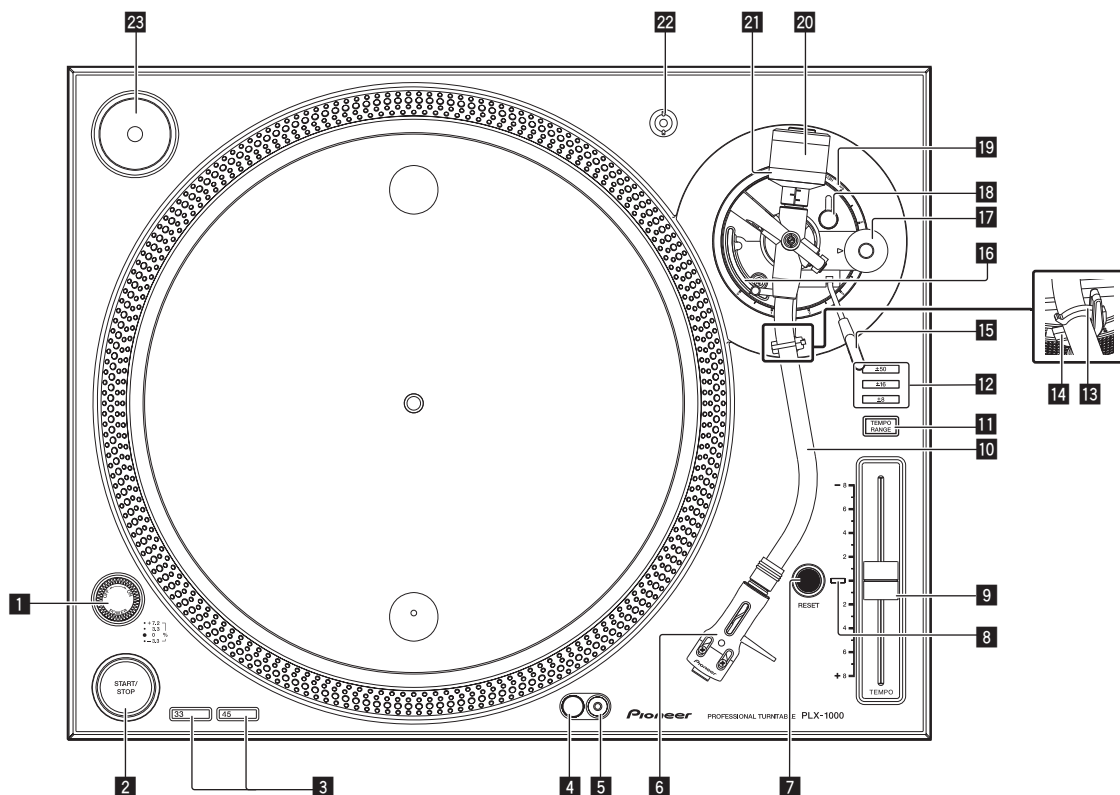


- Se utilizar uma célula com 9,5 g a 13 g, instale o peso secundário no eixo traseiro do braço de leitura.



# Nomes de peças e funções

## Painel superior



### 1 Interruptor POWER

Quando roda o interruptor para o lado [ON], liga o gira-discos e o iluminador estroboscópico lateral acende-se.

↪ Reprodução (pág.12)

### 2 Botão START/STOP

Se premir o botão inicia ou pára a rotação do prato.

↪ Reprodução (pág.12)

### 3 Botão de mudança de velocidade

Muda a velocidade de acordo com o disco que vai reproduzir.

- No caso de um disco de 33 1/3 rpm, prima o botão [33].
- Para um disco de 45 rpm, prima o botão [45].

↪ Reprodução (pág.12)

### 4 Iluminador da agulha

Acende-se para iluminar a ponta da agulha.

↪ Reprodução (pág.12)

### 5 Interruptor do iluminador da agulha

O iluminador da agulha acende-se com uma luz branca e sobe para a posição em que a ponta da agulha fica iluminada.

↪ Reprodução (pág.12)

### 6 Cabeça

Utilizada com uma célula montada.

### 7 Botão RESET

### 8 Indicador RESET

Se premir o botão [RESET] liga o indicador [RESET]. Enquanto o indicador [RESET] estiver ligado, o prato roda à velocidade de rotação especificada (33 1/3 rpm ou 45 rpm) independentemente da posição do deslizador TEMPO.

↪ Regular o pitch (pág.13)

### 9 Deslizador TEMPO

Pode empurrar o cursor para a frente ou para trás para fazer o ajuste fino da velocidade de rotação.

↪ Regular o pitch (pág.13)

### 10 Braço de leitura

↪ Regulação (pág. 8)

### 11 Botão TEMPO RANGE

Sempre que premir o botão o intervalo de tempo muda para  $\pm 8\%$ ,  $\pm 16\%$  ou  $\pm 50\%$ .

↪ Regular o pitch (pág.13)

### 12 Indicador TEMPO RANGE

O intervalo de tempo definido acende-se a azul.

### 13 Gancho do braço

Prende o braço de leitura.

### 14 Apoio do braço

Serve como base de suporte do braço de leitura.

### 15 Alavanca do elevador

O braço de leitura sobe quando puxa a alavanca para cima. Quando empurra a alavanca para baixo o braço desce.

### 16 Elevador do braço

Este dispositivo move o braço de leitura para cima ou para baixo. É accionado com a alavanca.

### 17 Botão rotativo ANTI SKATING

Quando ouve um disco, há uma força que puxa a ponta da agulha na direcção do perímetro interior. Se acertar este botão rotativo com o valor da pressão da agulha, essa força é eliminada.

↪ Regular o anti-skating (pág.9)

**18 Lingueta de bloqueio de HEIGHT ADJUST**

Bloqueia a altura para que o braço foi regulado.

↪ *Regular a altura do braço* (pág.9)

**19 Botão rotativo HEIGHT ADJUST**

Utilizado para regular a altura do braço de leitura.

↪ *Regular a altura do braço* (pág.9)

**20 Contrapeso**

Utiliza-se para balancear o braço de leitura e regular a pressão da agulha.

↪ *Regulação* (pág. 8)

**21 Anel de regulação da pressão da agulha**

Utiliza-se para acertar a pressão adequada da agulha da célula.

↪ *Regular a pressão da agulha* (pág.8)

**22 Suporte para a cabeça**

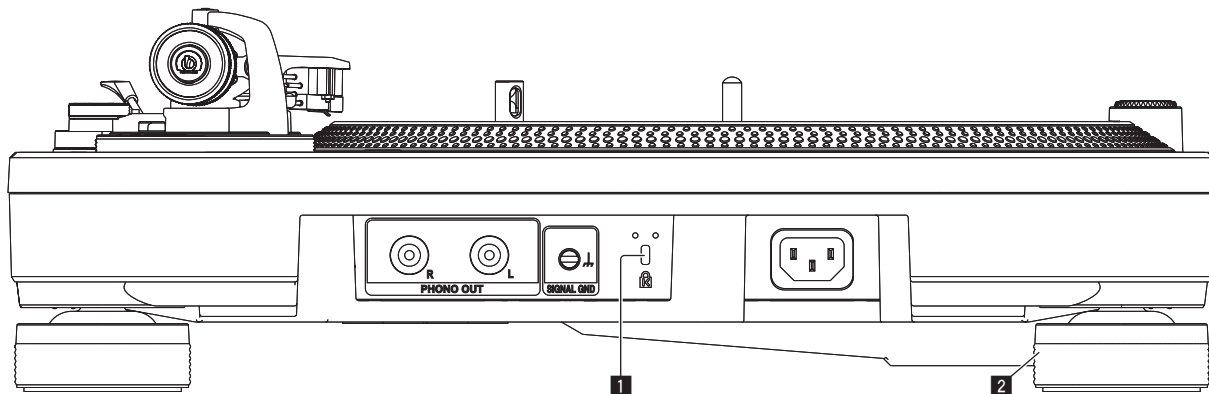
Utiliza-se para pôr a cabeça na vertical.

**23 Adaptador para disco EP**

Utiliza-se para reproduzir discos EP standard.

↪ *Para ouvir um disco EP standard* (p.12)

## Painel posterior



Para saber quais são os terminais utilizados para as ligações, consulte *Descrição dos terminais* na página 10.

**1 Ranhura de segurança Kensington****2 Isolador**

Elimina o efeito da vibração exterior. Se rodar o isolador regula a altura do prato.

↪ *Regular a altura da unidade principal* (p.11)

# Regulação

## Regular o balanço do braço de leitura

- Como os pesos da célula e da cabeça diferem com o produto, o balanço do braço de leitura tem de ser regulado.

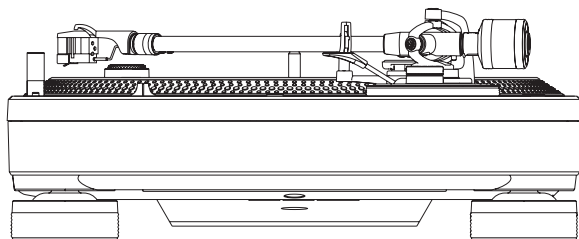
Faça o seguinte.

- Retire a tampa da agulha e o gancho do braço com cuidado para não tocar na ponta da agulha.
- Empurre para baixo a alavanca do elevador.
- Regule o botão rotativo [ANTI SKATING] para "0".

### Mantenha o braço de leitura no descanso e ajuste o balanço até o braço ficar horizontal.

Rode o contrapeso até o braço de leitura ficar na horizontal.

- Ao mover o braço de leitura, certifique-se de que a ponta da agulha não toca directamente no prato nem em nada.



## Regular a pressão da agulha

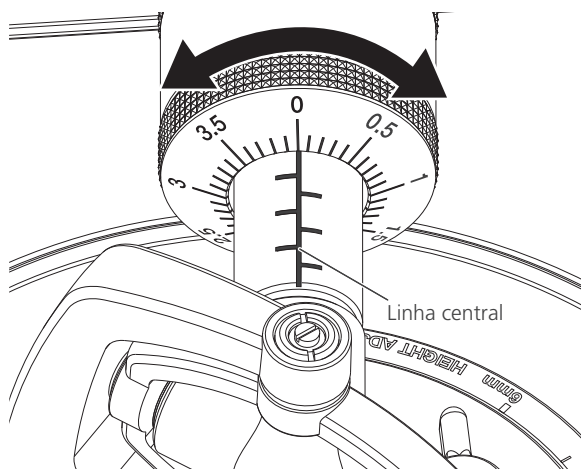
- Para evitar que a agulha salte ou haja distorções no som, a pressão da agulha é regulada para o valor de pressão adequado a cada célula.

Faça o seguinte.

- Volte a colocar o braço de leitura no descanso e prenda-o com o gancho.

### 1 Acerte o "0" do anel de regulação da pressão da agulha com a linha central do eixo traseiro do braço.

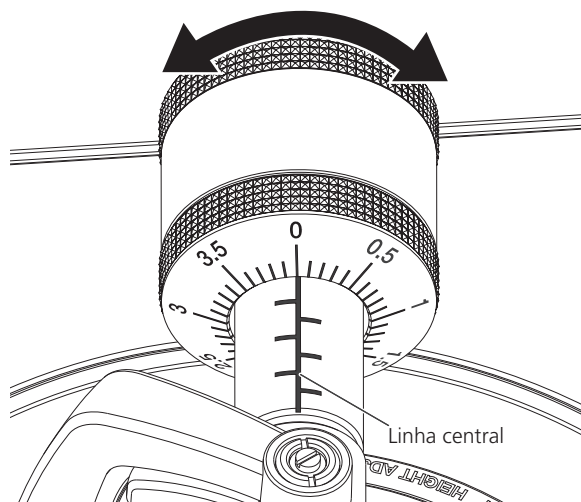
Segure o contrapeso com o dedo para impedir que se mova e rode apenas o anel de regulação da pressão da agulha de forma a que o número "0" fique posicionado na linha central preta do eixo traseiro do braço de leitura.



### 2 Regule a pressão da agulha.

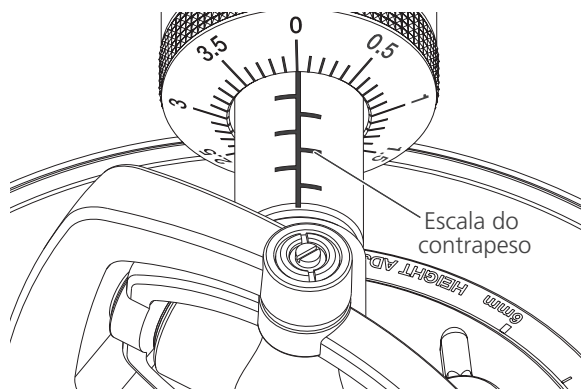
Rode o contrapeso para regular o valor da pressão da agulha adequada à célula.

- Quando roda o contrapeso, o anel de regulação da pressão também roda. Olhando para o anel de regulação, regule a pressão da agulha para o valor adequado.



## Utilizar a escala do contrapeso

Recomenda-se que memorize a posição da escala do contrapeso da cabeça com a célula montada pois isso permite-lhe definir a pressão adequada da agulha bastando para tal colocá-la na posição da escala do contrapeso definida sem ter de regular o balanço horizontal do braço de leitura.



1 Monte a cabeça com a célula no braço de leitura.

2 Utilizando o valor definido para o contrapeso, regule a posição da régua do contrapeso.

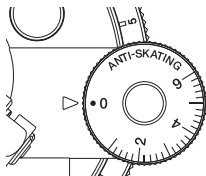


## Regular o anti-skating

Esta regulação é feita para evitar que a agulha salte.

### Acerte-a para a posição da régua correspondente ao valor da pressão da agulha.

Rode o botão rotativo [ANTI SKATING] de maneira a que a linha de referência coincida com o valor da pressão da agulha da célula.



## Se estiver a fazer scratch

Para evitar que a agulha salte, regule a posição da régua em conformidade.

## Regular a altura do elevador do braço

Se necessário, efectue a regulação de maneira a corresponder à célula que está a utilizar.

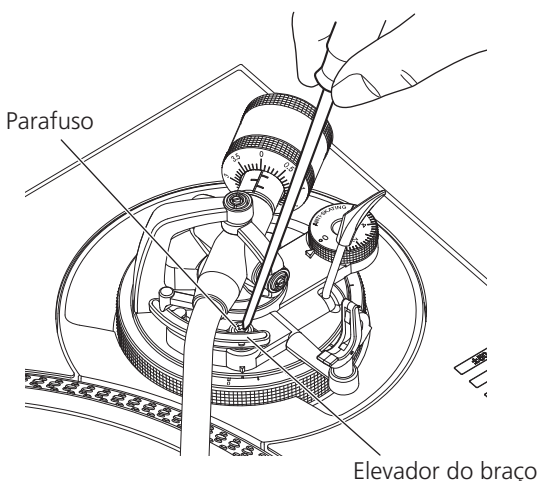
Faça o seguinte.

- Coloque um disco no tapete do prato.
- Retire a tampa da agulha e o gancho do braço com cuidado para não tocar na ponta da agulha.
- Levante a alavanca do elevador e coloque o braço de leitura sobre o disco.

### Regule a altura rodando o parafuso ao mesmo tempo que empurra o elevador do braço para baixo.

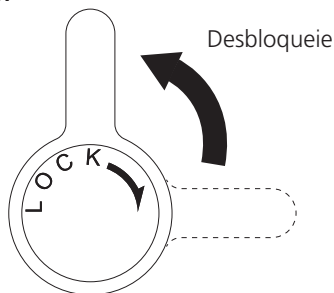
- Se rodar no sentido dos ponteiros do relógio diminui a distância entre o disco e a agulha.
- Se rodar no sentido contrário ao dos ponteiros do relógio, aumenta a distância entre o disco e a agulha.

A altura do elevador do braço (a distância entre o disco e a agulha quando a alavanca do elevador é puxada para cima) é regulada na fábrica para um valor entre cerca de 8 mm e 13 mm.



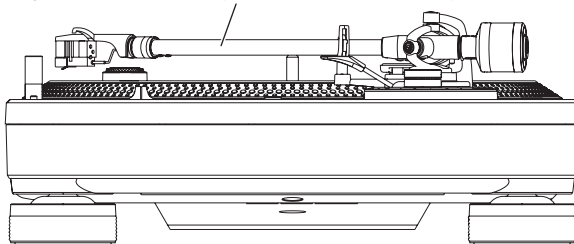
## Regular a altura do braço

1 Rode a lingueta de bloqueio [HEIGHT ADJUST] para desbloquear.

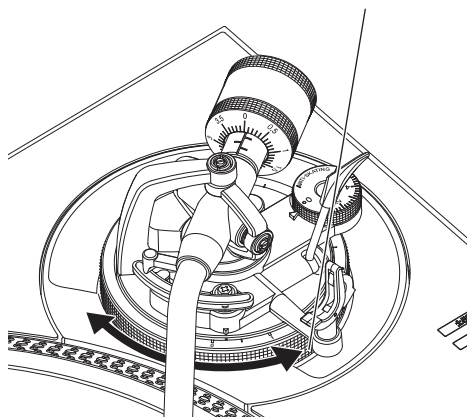


2 Empurre a alavanca do elevador para baixo e coloque a agulha no disco; depois regule o botão rotativo [HEIGHT ADJUST] de maneira a que o braço de leitura e o disco fiquem paralelos.

Regular de maneira a que o braço de leitura fique horizontal



Botão rotativo [HEIGHT ADJUST]



Consulte a tabela abaixo para regular o botão rotativo [HEIGHT ADJUST] para o valor correspondente ao tamanho da célula.

Célula de tamanho H (mm)	Botão rotativo [HEIGHT ADJUST] - posição da régua
19	0
20	1
21	2
22	3
23	4
24	5
25	6

3 Rode a lingueta de bloqueio [HEIGHT ADJUST] para fixar a altura do braço.

Depois de regular a altura do braço, rode sempre a lingueta de bloqueio [HEIGHT ADJUST] para fixar o braço.

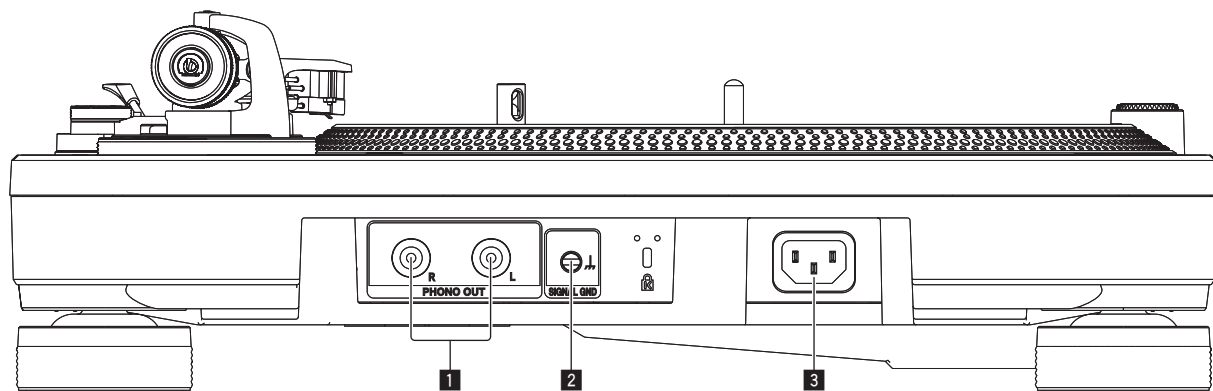
## Se estiver a fazer scratch

Para evitar que a agulha salte, utilize o botão rotativo [HEIGHT ADJUST] para regular a altura do braço adequadamente.

# Ligações

- Certifique-se de desligar a energia e desligar o fio da tomada sempre que fizer ou mudar as conexões.
- Consulte as instruções de funcionamento do componente a ligar.
- Ligue o fio eléctrico depois de terminar de fazer todas as conexões entre os dispositivos.

## Descrição dos terminais



### 1 Terminais PHONO OUT

Ligue aqui os cabos de áudio (incluídos).

### 2 Terminal SIGNAL GND

Ligue o cabo de terra (acessório). Isto ajuda a reduzir o ruído quando liga um leitor analógico.

### 3 AC IN

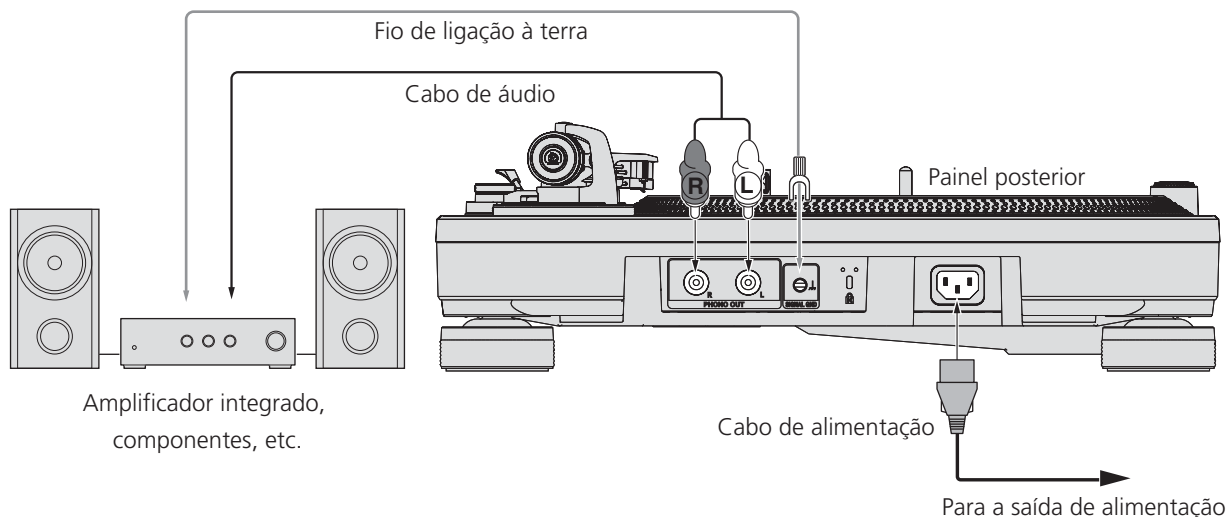
Liga a uma saída de alimentação utilizando o cabo de alimentação incluído. Aguarde até todas as ligações entre o equipamento estarem completas antes de ligar o cabo de alimentação.

- Certifique-se de que utiliza o cabo de alimentação incluído.

## Estilo básico

- Liga a uma saída de alimentação utilizando o cabo de alimentação incluído. Aguarde até todas as ligações entre o equipamento estarem completas antes de ligar o cabo de alimentação.
- Consulte as instruções de funcionamento do componente a ligar.

## Ligar a um componente e a um amplificador integrado



### 1 Ligue o cabo de áudio e o cabo de ligação a terra ao terminal de entrada [PHONO] do amplificador integrado ou do outro componente.

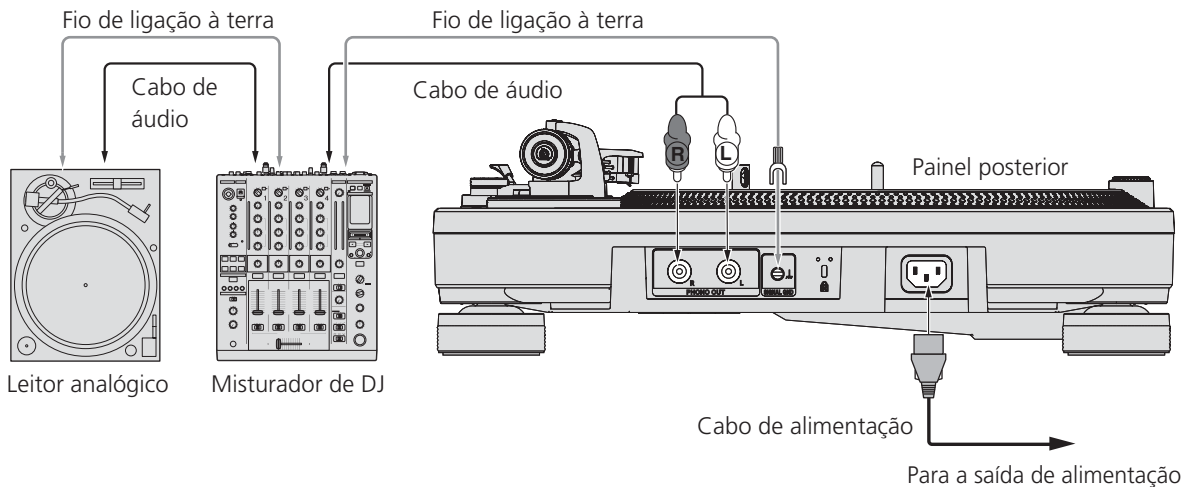
- Se ligar o produto a um componente ou amplificador integrado que não tenha um terminal [PHONO], pode não obter o volume e a qualidade de som adequados. Nesse caso, utilize o equalizador PHONO.
- Verifique se ligou um cabo de ligação à terra. Se a unidade não tiver uma ligação a terra adequada, ocorre um zumbido (som sibilante).

### 2 Ligue o cabo de alimentação.

Liga a uma saída de alimentação utilizando o cabo de alimentação incluído. Aguarde até todas as ligações entre o equipamento estarem completas antes de ligar o cabo de alimentação.

- Antes de fazer a ligação à tomada (tomada de CA) montada no equipamento ligado, verifique os watts indicados na tomada. (Esta unidade consome 9 W de potência.)

## Ligar a uma mesa de mistura de DJ



### 1 Ligue o cabo de áudio e o cabo de ligação a terra ao terminal de entrada [PHONO] da mesa de mistura de DJ.

- Se ligar este produto a uma mesa de mistura de DJ que não tenha um terminal de entrada [PHONO], não consegue obter o volume e a qualidade de som necessários.
- Verifique se ligou um cabo de ligação à terra. Se a unidade não tiver uma ligação a terra adequada, ocorre um zumbido (som sibilante).

### 2 Ligue o cabo de alimentação.

Liga a uma saída de alimentação utilizando o cabo de alimentação incluído. Aguarde até todas as ligações entre o equipamento estarem completas antes de ligar o cabo de alimentação.

- Antes de fazer a ligação à tomada (tomada de CA) montada no equipamento ligado, verifique os watts indicados na tomada. (Esta unidade consome 9 W de potência.)

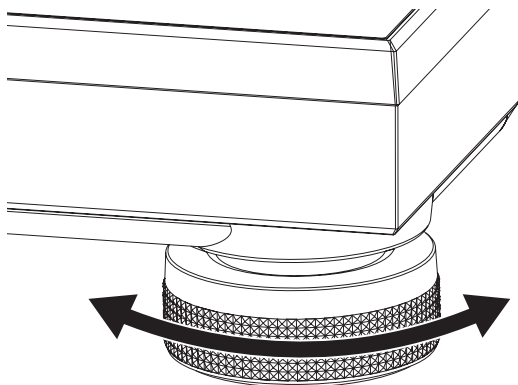
## Local de instalação

Coloque a unidade numa superfície nivelada que não esteja exposta a vibrações externas.

- Na medida do possível, afaste a unidade do sistema de colunas.
- Se a unidade estiver muito perto de um rádio (transmissão em AM/FM), o rádio pode gerar interferências. Afaste o rádio o mais possível da unidade.

## Regular a altura da unidade principal

Regule a altura rodando o isolador de maneira a que a unidade fique na horizontal.



---

---

# Funcionamento

---

---

## Ligar a alimentação

**1 Efectue todas as ligações e, em seguida, ligue o cabo de alimentação a uma tomada.**

↳ *Ligações* (pág.10)

**2 Coloque o interruptor [POWER] no lado [ON] para ligar a unidade.**

Os indicadores da unidade acendem-se e a alimentação é ligada.

---

---

## Desligar a alimentação

**Coloque o interruptor [POWER] no lado [OFF] para desligar a unidade.**

Desliga a alimentação da unidade.

---

---

## Reprodução

Faça o seguinte.

- Coloque um disco no prato.
- Retire a tampa da agulha e o gancho do braço.

**1 Coloque o interruptor [POWER] no lado [ON] para ligar a unidade.**

**2 Prima o botão [START/STOP].**

O prato roda.

**3 Prima o botão [RESET].**

O indicador [RESET] acende-se com uma luz verde-amarelada e a velocidade volta às rpm (33 1/3 ou 45 rpm) estabelecidas.

**4 Levante a alavanca do elevador e coloque o braço de leitura sobre o disco.**

**5 Empurre para baixo a alavanca do elevador.**

O braço de leitura desce e a reprodução começa.

---

---

## Interromper a reprodução

**Puxe a alavanca do elevador para cima.**

A agulha da célula levanta e sai de cima do disco.

- Para retomar a reprodução, empurre a alavanca do elevador para baixo.

---

---

## Terminar a reprodução

**1 Puxe a alavanca do elevador para cima para voltar a colocar o braço de leitura no descanso e depois empurre a alavanca para baixo.**

**2 Prima o botão [START/STOP].**

Um travão electrónico faz parar o prato suavemente.

**3 Coloque o interruptor [POWER] no lado [OFF] para desligar a unidade.**

Utilize o gancho do braço para prender o braço de leitura.

Para proteger a ponta da agulha, coloque a tampa respectiva.

---

---

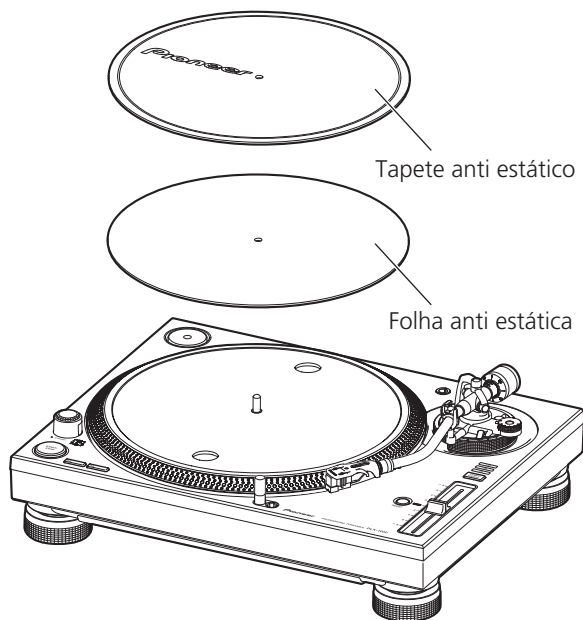
## Acerca do tapete anti estático e da folha anti estática

### Tapete anti estático

Se utilizar o tapete anti estático em vez do tapete do prato, pode parar o disco com a mão durante a reprodução ou rodar o prato no sentido inverso.

### Folha anti estática

Se utilizar a folha anti estática por baixo do tapete anti estático, os efeitos de scratch são mais suaves.



---

---

## Para ouvir um disco EP standard

Instale o adaptador de disco EP no eixo central e prima o botão [45].

---

---

## Iluminar a ponta da agulha

Se premir o interruptor do iluminador da agulha, este acende-se com uma luz branca e sobe para a posição em que a ponta da agulha fica iluminada.

- Se não for necessário, prima o interruptor do iluminador da agulha para o baixar. O interruptor do iluminador desliga-se.

---

---

## Instalar a tampa antipó

Quando terminar de utilizar a unidade, agarre nos dois lados da tampa antipó e coloque-a directamente em cima da unidade.

## Regular o pitch

### 1 Prima o botão [RESET] para desligar o indicador [RESET].

### 2 Mova o deslizador [TEMPO] para a frente ou para trás.

Se mover o cursor para a frente aumenta a velocidade de rotação e se o mover para trás diminui a velocidade de rotação.

- A escala do cursor de [TEMPO] é um valor aproximado. Utilize-a como guia.

### 3 Prima o botão [TEMPO RANGE].

O intervalo de regulação do cursor [TEMPO] muda sempre que premir o botão. O indicador do intervalo de regulação acende-se.

Valor da definição	Unidades de ajuste
±8	0,016 %
±16	0,032 %
±50	0,1 %

## Voltar ao pitch normal

### Prima o botão [RESET].

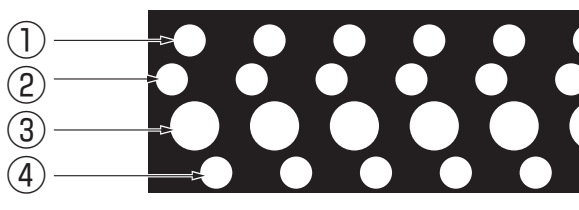
Se premir o botão [RESET] liga o indicador [RESET]. Enquanto o indicador [RESET] estiver ligado, o prato roda à velocidade de rotação especificada (33 1/3 rpm ou 45 rpm) independentemente da posição do deslizador TEMPO.

## Detectar o pitch

Pode detectar um pitch mais preciso olhando para as quatro linhas dos padrões estroboscópicos inscritos à volta do prato.

- É utilizado um iluminador estroboscópico (luz de LED azul) para iluminar o padrão estroboscópico da unidade. Para detectar o pitch utilize sempre um iluminador estroboscópico.

### Padrão estroboscópico



- ① Quando o padrão estroboscópico parece parado, alteração de pitch de +7,2 %
- ② Quando o padrão estroboscópico parece parado, alteração de pitch de +3,3 %
- ③ Quando o padrão estroboscópico parece parado Rotação especificada (33 1/3 rpm ou 45 rpm)
- ④ Quando o padrão estroboscópico parece parado, alteração de pitch de -3,3 %

# Informações adicionais

## Resolução de problemas

- Geralmente confunde-se uma operação incorrecta com um problema ou mau funcionamento. Caso ache que existe algo de errado com este componente, consulte os pontos abaixo e as [FAQ] para o [PLX-1000] no site de suporte da Pioneer DJ.  
<http://pioneerdj.com/support/>  
Algumas vezes o problema está relacionado com outro componente. Inspeccione os outros componentes e os aparelhos eléctricos que estão a ser utilizados. Se o problema não pôde ser resolvido, peça à Assistência Técnica autorizada ou revendedor da Pioneer mais próximo para fazer o conserto.
- Esta unidade pode não funcionar correctamente devido a electricidade estática ou outras influências externas. Neste caso, o funcionamento normal é reposto desligando a alimentação, aguardando 1 minuto e, em seguida, ligando novamente a alimentação.

Problema	Verificar	Solução
A alimentação não está ligada.	O cabo de alimentação está ligado correctamente?	Ligue correctamente o cabo de alimentação incluído a uma saída de alimentação.
	O interruptor [POWER] de alimentação de corrente está na posição [ON]?	Coloque o interruptor [POWER] de alimentação de corrente na posição [ON].
Sem som ou som reduzido.	Os cabos de áudio estão ligados correctamente?	Ligue os cabos de áudio correctamente.
	Os terminais e fichas estão sujos?	Limpe os terminais e fichas antes de efectuar ligações.
	A cabeça está bem montada?	Monte a cabeça correctamente.
O som esquerdo e direito estão trocados.	As ligações esquerda e direita de cada equipamento estão trocadas?	Ligue correctamente o cabo de áudio e os fios condutores da parte da cabeça.
Ouve-se um som sibilante baixo (um zumbido ou som vibrante) durante a reprodução.	Existe algum aparelho eléctrico, como um candeeiro com luz fluorescente ou o cabo de alimentação respectivo perto do cabo de ligação?	Coloque o cabo de alimentação do candeeiro com luz fluorescente ou do outro dispositivo o mais afastado possível.
	O cabo de ligação a terra do gira-discos está desligado?	Ligue o cabo de ligação a terra correctamente.
A ponta da agulha não desce sobre o disco.	A pressão da agulha está regulada correctamente?	Acerte o contrapeso com o valor da pressão da agulha adequado à célula.
	O braço está equilibrado horizontalmente?	Rode o contrapeso até o braço de leitura ficar na horizontal.
O agulha salta.	A pressão da agulha está regulada correctamente?	Acerte o contrapeso com o valor da pressão da agulha adequado à célula.
	O disco está empenado ou tem riscos?	Verifique as condições do disco.
	A ponta da agulha tem muito pó?	Retire a cabeça com a célula e utilize uma escova de ponta macia ou um pincel de escrita para limpar, com cuidado, o pó, etc. da ponta da agulha.
	O anti-skating está correctamente regulado?	Regule o anti-skating correctamente.
O braço pára a meio e não continua.	A altura do braço está regulada correctamente?	Regule a altura do braço correctamente.
	O disco tem riscos?	Verifique as condições do disco.
O volume do som está muito alto ou muito baixo.	O braço está em contacto com alguma coisa?	Inspeccione a zona à volta do braço. Se houver um obstáculo retire-o.
	A ligação ao amplificador é adequada ao tipo de célula (saída)?	Ligue correctamente os cabos de ligação.

## Cuidados no uso

### Condensação

Poderá haver formação de gotículas de água (condensação) internamente (nas peças operacionais e lente) durante o Inverno, por exemplo, se a unidade for levada rapidamente de um lugar frio para uma sala aquecida ou se a temperatura ambiente da sala onde o aparelho se encontra subir rapidamente (através de aquecimento, etc.). A unidade não irá funcionar correctamente e não poderá ser reproduzida com condensação no interior. Deixe a unidade repousar durante 1 a 2 horas à temperatura ambiente (este tempo depende das condições da condensação) sem ligar a alimentação. As gotículas de água irão evaporar-se e será possível usar a função de reprodução da unidade. A condensação pode ocorrer no Verão, assim como se a unidade for exposta a vento directo proveniente de um aparelho de ar condicionado, etc. Se isso acontecer, desloque a unidade para uma localização diferente.

### Se transportar a unidade para outro local

Embale a unidade nos materiais de embalagem originais. Se os materiais de embalagem originais não estiverem disponíveis, faça o indicado a seguir.

- Retire o tapete do prato e embale-o cuidadosamente.

- Desmonte a cabeça e o contrapeso do braço e embale-os cuidadosamente.
- Prenda o braço de leitura com o gancho respectivo e use fita autocollante para o prender de maneira a que não se mova.
- Embrulhe a unidade principal num cobertor ou papel macio para impedir que fique danificada.

## Manutenção de cada peça

Quando montar e desmontar a cabeça, desligue o amplificador. Se tentar fazê-lo com o volume alto, pode danificar as colunas.

- Retire a cabeça com a célula e utilize uma escova de ponta macia ou um pincel de escrita para limpar, com cuidado, o pó, etc. da ponta da agulha.
- Limpe os discos com um produto de limpeza de discos de boa qualidade.
- Utilize um pano macio ou uma coisa semelhante para limpar o terminal da cabeça e depois volte a montá-la no braço de leitura.

### Limpar a tampa antipó, etc.

Utilize um pano macio para limpar a tampa antipó e a caixa

- Não limpe a tampa antipó durante a reprodução. A electricidade estática pode fazer com que o braço de leitura seja empurrado pela tampa antipó.

---

---

## Acerca de marcas comerciais e marcas comerciais registadas

- Pioneer é uma marca comercial registada da PIONEER CORPORATION.

Os nomes de empresas e produtos aqui mencionados são marcas comerciais dos seus respectivos proprietários.

---

---

## Especificações

Requisitos de energia ..... AC 110 V a 120 V ou 220 V a 240 V, 50 Hz/60 Hz  
Consumo de energia ..... 9 W  
Peso da unidade principal ..... 14,6 kg  
Dimensões máximas externas ... 453 mm (L) × 159 mm (A) × 353 mm (P)  
Temperatura operacional tolerada ..... +5 °C a +35 °C  
Humidade operacional tolerada ..... 5 % a 85 % (sem condensação)

### Parte do prato

Método de transmissão ..... Transmissão directa tipo servo  
Motor ..... Motor DC 3 fases de comutação electrónica  
Sistema de travagem ..... Travão electrónico  
Velocidade de rotação ..... 33 1/3 rpm, 45 rpm  
Intervalo de regulação da velocidade de rotação ..... ±8 %, ±16 %, ±50 %  
Distorção e vibração ..... 0,01 % WRMS ou inferior  
Medidas através da obtenção do sinal do gerador de frequências integrado do conjunto do motor.  
Relação sinal/ruído ..... 70 dB (DIN-B)  
Prato ..... Alumínio fundido Diâmetro: 332 mm  
Binário inicial ..... 4,5 kg·cm ou mais  
Tempo de arranque de ..... 0,3 segundos (a 33 1/3 rpm)

### Parte do braço de leitura

Tipo de braço ..... Braço de leitura em forma de S de tipo universal, estrutura de apoio de tipo suportada por cardã, tipo balanço estático  
Comprimento efectivo ..... 230 mm  
Parte saliente ..... 15 mm  
Erro de tracking ..... Cerca de 3°  
Intervalo de regulação da altura do braço ..... 6 mm  
Intervalo variável de pressão da agulha ..... 0 g a 4,0 g (1 escala de 0,1 g)  
Peso adequado da célula ..... 3,5 g a 13 g (uma célula)  
Se utilizar o peso da cabeça ..... 3,5 g a 6,5 g  
Quando utilizar apenas o contrapeso ..... 6,0 g a 10 g  
Se utilizar o peso secundário ..... 9,5 g a 13 g  
— As especificações e design deste produto estão sujeitos a alterações sem aviso prévio.  
— © 2014 PIONEER CORPORATION. Todos os direitos reservados.

Благодарим вас за покупку данного изделия Pioneer. Пожалуйста, внимательно изучите данные инструкции по эксплуатации для надлежащего использования данной модели. По завершению изучения инструкций, храните их в надежном месте для справок в будущем. В некоторых странах или регионах форма вилки питания и розетки может иногда отличаться от того, что отображено на иллюстрациях. Однако способ подключения и работы аппарата остается неизменным.



Если вы желаете утилизировать данное изделие, не выбрасывайте его вместе с обычным бытовым мусором. Существует отдельная система сбора использованных электронных изделий в соответствии с законодательством, которая предполагает соответствующее обращение, возврат и переработку.

Частные клиенты в странах-членах ЕС, в Швейцарии и Норвегии могут бесплатно возвращать использованные электронные изделия в соответствующие пункты сбора или дилеру (при покупке сходного нового изделия).

В странах, не перечисленных выше, для получения информации о правильных способах утилизации обращайтесь в соответствующие учреждения.

Поступая таким образом, вы можете быть уверены в том, что утилизируемый продукт будет соответствующим образом обработан, передан в соответствующий пункт и переработан без возможных негативных последствий для окружающей среды и здоровья людей. K058b\_A1\_Ru

## ПРЕДУПРЕЖДЕНИЕ

Данное оборудование не является водонепроницаемым. Во избежание пожара или поражения электрическим током не помещайте рядом с оборудованием емкости с жидкостями (например, вазы, цветочные горшки) и не допускайте попадания на него капель, брызг, дождя или влаги. D3-4-2-1-3\_A1\_Ru

## ПРЕДУПРЕЖДЕНИЕ

Во избежание пожара не приближайте к оборудованию источники открытого огня (например, зажженные свечи). D3-4-2-1-7a\_A1\_Ru

## Условия эксплуатации

Изделие эксплуатируется при следующих температуре и влажности: +5 °C до +35 °C; влажность менее 85 % (не заслоняйте охлаждающие вентиляторы) Не устанавливайте изделие в плохо проветриваемом помещении или в месте с высокой влажностью, открытом для прямого солнечного света (или сильного искусственного света). D3-4-2-1-7c\*\_A1\_Ru

## ПРЕДУПРЕЖДЕНИЕ

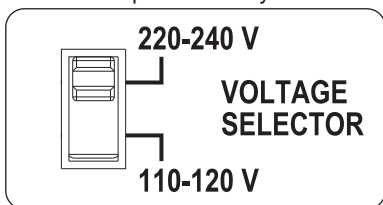
Данное изделие оснащено трехконтактной вилкой с заземляющим контактом. Эта вилка подходит только к электророзетке, оборудованной заземлением. Если вилку не удастся вставить в розетку, обратитесь к электрику для установки розетки соответствующего типа. Защитную функцию вилки с заземляющим контактом следует использовать обязательно. D3-4-2-1-6\_A1\_Ru

## Переключатель напряжения

Переключатель напряжения находится на верхней панели у моделей с возможностью переключения напряжения.

**На заводе-изготовителе переключатель напряжения установлен в положение 220-240 В. Выберите правильное напряжение для вашей страны или региона.**

Перед тем, как выбрать другое напряжение, отсоедините силовой кабель. С помощью отвертки среднего размера переведите переключатель напряжения в нужное положение.



D3-4-2-1-5\*\_A2\_Ru

## МЕРЫ ПРЕДОСТОРОЖНОСТИ ПРИ ОБРАЩЕНИИ С СЕТЕВОЙ ШНУРОМ

Держите сетевой шнур за вилку. Не вытаскивайте вилку, взявшись за шнур, и никогда не касайтесь сетевого шнура, если Ваши руки влажные, так как это может привести к короткому замыканию или поражению электрическим током. Не ставьте аппарат, предметы мебели и т.д. на сетевой шнур, не зажимайте его. Не завязывайте узлов на шнуре и не связывайте его с другими шнурами. Сетевые шнуры должны лежать так, чтобы на них нельзя было наступить. Поврежденный сетевой шнур может стать причиной возникновения пожара или поразить Вас электрическим током. Время от времени проверяйте сетевой шнур. В случае обнаружения повреждения обратитесь за заменой в ближайший официальный сервисный центр фирмы PIONEER или к Вашему дилеру. S002\*\_A1\_Ru

## ОБЯЗАТЕЛЬНАЯ ВЕНТИЛЯЦИЯ

При установке устройства обеспечьте достаточное пространство для вентиляции во избежание повышения температуры внутри устройства (не менее 15 см сверху, 5 см сзади и по 5 см слева и справа). D3-4-2-1-7d\*\_A1\_Ru

## ВНИМАНИЕ

Выключатель **POWER** данного устройства не полностью отключает его от электросети. Чтобы полностью отключить питание устройства, вытащите вилку кабеля питания из электророзетки. Поэтому устройство следует устанавливать так, чтобы вилку кабеля питания можно было легко вытащить из розетки в чрезвычайных обстоятельствах. Во избежание пожара следует извлекать вилку кабеля питания из розетки, если устройство не будет использоваться в течение долгого времени (например, если вы уезжаете в отпуск). D3-4-2-2-2a\*\_A1\_Ru

## ПРЕДУПРЕЖДЕНИЕ

Храните небольшие детали вне доступа детей. При случайном заглатывании, немедленно обращайтесь к врачу. D41-6-4\_A1\_Ru

## ВНИМАНИЕ

**ВО ИЗБЕЖАНИЕ ПОРАЖЕНИЯ ЭЛЕКТРИЧЕСКИМ ТОКОМ НЕ СНИМАЙТЕ КРЫШКУ (ИЛИ ЗАДНЮЮ СТЕНКУ). ВНУТРИ НЕ СОДЕРЖАТСЯ ДЕАТЛИ, ПРЕДНАЗНАЧЕННЫЕ ДЛЯ РЕМОНТА ПОЛЬЗОВАТЕЛЕМ. ДЛЯ ОБСЛУЖИВАНИЯ ОБРАТИТЕСЬ К КВАЛИФИЦИРОВАННОМУ СОТРУДНИКУ СЕРВИСНОЙ СЛУЖБЫ.** D3-4-2-1-1\_B1\_Ru



# Содержание

## Как следует читать данное руководство

В данной брошюре названия кнопок и разъемов основного блока указываются в квадратных скобках ([ ]).

Примеры:

- Нажмите кнопку [START/STOP].
- Если данное изделие подключено к интегральному усилителю или компоненту без разъема [PHONO], получение звучания достаточного уровня и качества будет невозможно. В этом случае используйте эквалайзер PHONO.

## 01 До начала

Свойства .....	3
Комплект поставки .....	3

## 02 Перед началом работы

Картридж .....	4
Сборка .....	4

## 03 Названия деталей и функции

Верхняя панель .....	6
Задняя панель .....	7

## 04 Регулировка

Регулировка баланса тона .....	8
Регулировка прижимной силы иглы .....	8
Регулировка компенсации скатывающей силы .....	9
Регулировка высоты микролифта .....	9
Регулировка высоты тона .....	9

## 05 Подключения

Описания терминалов .....	10
Основной стиль .....	10
Место установки .....	11

## 06 Управление

Включение питания .....	12
Отключение питания .....	12
Воспроизведение .....	12
Приостановка воспроизведения .....	12
Завершение воспроизведения .....	12
Регулировка высоты тона .....	13

## 07 Дополнительная информация

Возможные неисправности и способы их устранения .....	14
Предостережения по использованию .....	14
Техническое обслуживание каждого узла .....	15
О торговых марках и зарегистрированных торговых марках .....	15
Технические характеристики .....	15

# До начала

## Свойства

Данное устройство представляет собой профессиональный проигрыватель виниловых пластинок, оснащенный функциями и обладающий долговечностью, работоспособностью и качеством звучания, подходящими для широкого круга ситуаций от домашнего прослушивания до использования в клубах.

## Система прямого привода с большим крутящим моментом

Устройство обеспечивает постоянную скорость вращения с коэффициентом детонации не выше 0,1 %, стартовым крутящим моментом не менее 4,5 кг·см и временем старта не более 0,3 секунд (при 33 1/3 об/мин).

## Конструкция, нацеленная на высокое качество звучания

- Для разъема RCA используется позолоченный компонент, изготовленный из того же материала, что и для проигрывателя TAD — нашего флагманского бренда. Через надежное соединение непосредственно передается сигнал PHONO.
- Влияние внешних вибраций снижается за счет использования виброподавляющего материала между верхней и нижней частями корпуса.

## Высокоточное 3-уровневое регулируемое управление темпом

- Уровень темпа можно установить равным  $\pm 8\%$ ,  $\pm 16\%$  или  $\pm 50\%$ . Это обеспечивает очень широкие возможности воспроизведения.
- При нажатии кнопки [RESET] темп немедленно возвращается к вращению с постоянной скоростью  $\pm 0\%$ .

## Отсоединяемые шнур питания и аудиокабели

- Кабели не мешают при перемещении основного блока, что предотвращает риск их отсоединения.
- За счет замены аудиокабеля обеспечивается возможность настройки устройства для получения желаемого звучания.

## Комплект поставки

- Опорный диск
- Подложка опорного диска
- Слип-мат
- Слип-шит
- Пылезащитная крышка
- Адаптер для долгоиграющих пластинок
- Противовес
- Дополнительный противовес
- Держатель картриджа
- Груз держателя
- Силовой кабель
- Аудиокабель
- Провод заземления
- Гарантия (для некоторых регионов)<sup>1</sup>
- Инструкции по эксплуатации (данный документ)

<sup>1</sup> Прилагающаяся гарантия предназначена для Европейского региона.

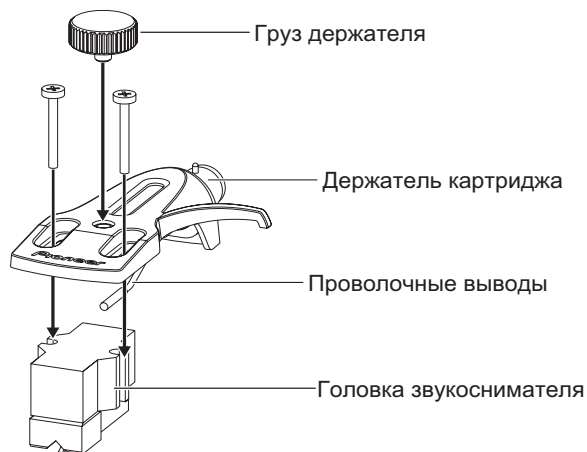
# Перед началом работы

## Картридж

- Картридж не входит в комплект поставки.
- См. руководство по эксплуатации картриджа.

### Установите картридж на держатель картриджа.

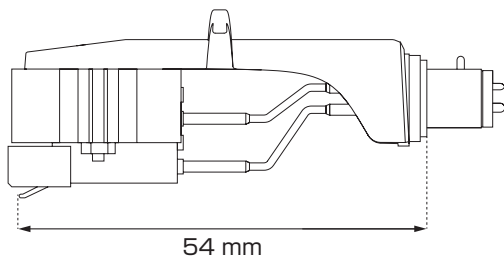
Проволочные выводы держателя картриджа имеют цветовую маркировку. Для правильного подключения выводов к соответствующим контактам картриджа согласно обозначениям на картридже воспользуйтесь пинцетом или другим аналогичным инструментом.



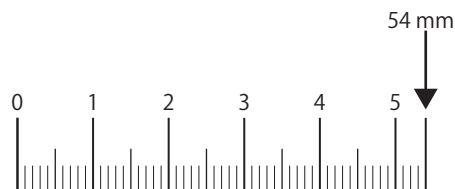
- При использовании картриджа массой от 3,5 г до 6,5 г установите поставляемый груз держателя.

## Регулировка навеса

Для регулировки положения при помощи винта крепления картриджа воспользуйтесь показанной ниже шкалой регулировки навеса. Выполните регулировки таким образом, чтобы кончик иглы находился на расстоянии 54 мм от детали крепления тонарма.



### Шкала регулировки навеса

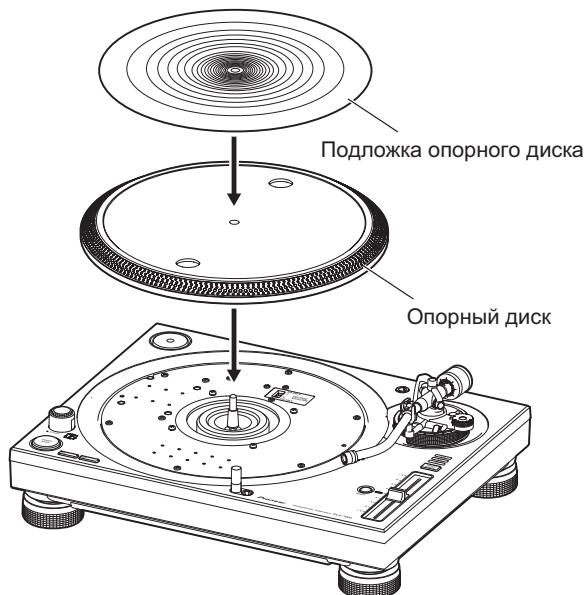


## Сборка

### 1 Установите опорный диск и подложку.

Установите опорный диск на центральный шпиндель и положите подложку на диск.

- Будьте осторожны, не подвергайте опорный диск на основном блоке ударам и не роняйте его.
- Убедитесь в том, что к магниту на обратной стороне опорного диска не прилип железный порошок или другая пыль.
- Не прикасайтесь к крепежному винту магнита на опорном диске (3 позиции). В случае изменения положения крепежного винта номинальные характеристики могут не обеспечиваться.

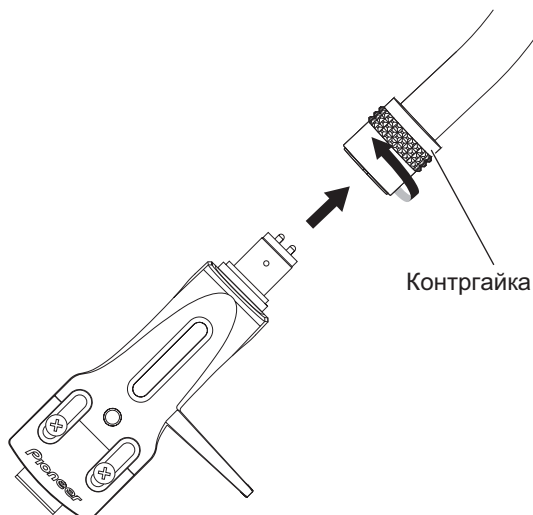


### 2 Установите картридж на держатель картриджа.

Проволочные выводы держателя картриджа имеют цветовую маркировку. Для правильного подключения выводов к соответствующим контактам картриджа согласно обозначениям на картридже воспользуйтесь пинцетом или другим аналогичным инструментом.

### 3 Установите держатель картриджа.

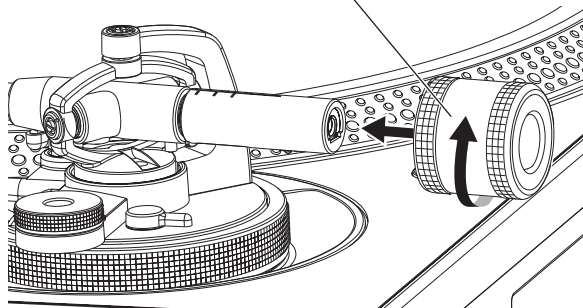
Вставьте держатель картриджа с установленным картриджем в тонарм. Затем затяните стопорную гайку, поддерживая держатель в горизонтальном положении.



#### 4 Установите противовес.

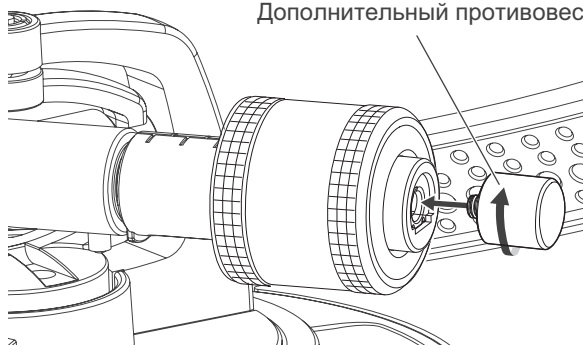
Установите противовес на заднюю часть трубки тонарма.

Противовес



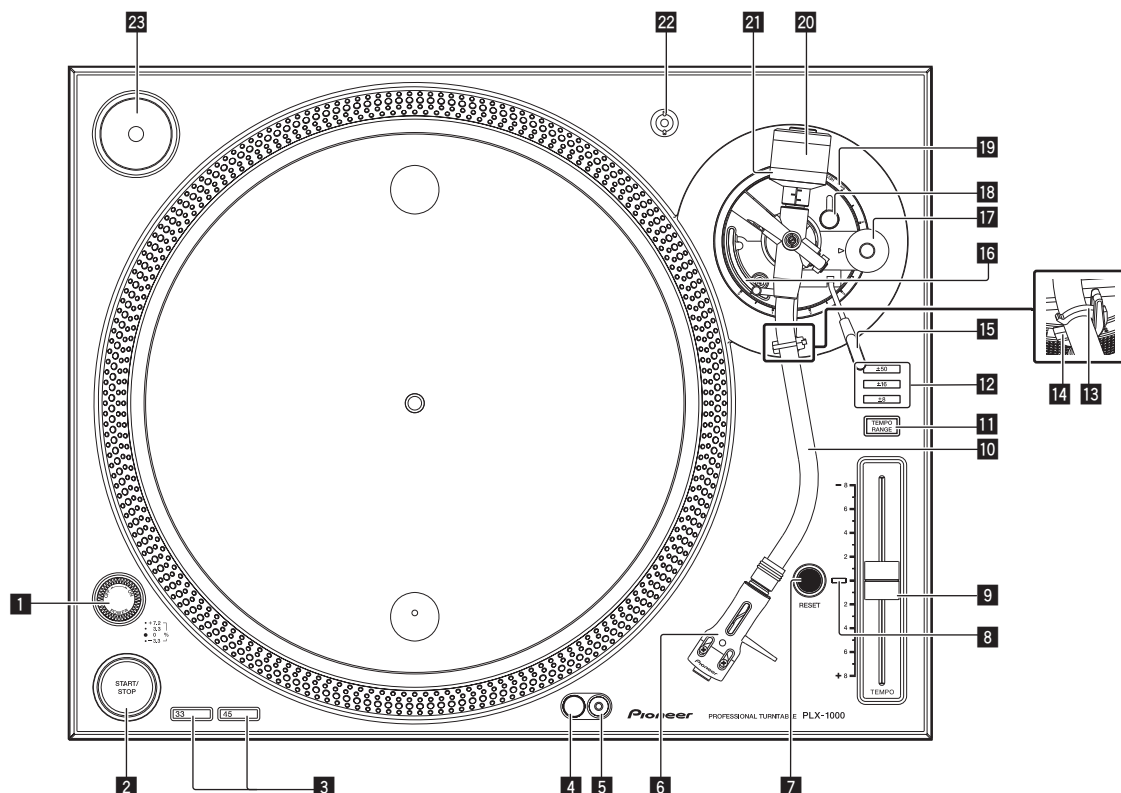
- При использовании картриджа массой от 9,5 г до 13 г на заднюю часть трубки тонарма установите дополнительный противовес.

Дополнительный противовес



# Названия деталей и функции

## Верхняя панель



### 1 Переключатель POWER

При повороте переключателя в сторону [ON] питание включается и загорается стробирующая подсветка на боковой панели.  
⇨ *Воспроизведение* (стр.12)

### 2 Кнопка START/STOP

Нажатие кнопки запускает или останавливает вращение опорного диска.  
⇨ *Воспроизведение* (стр.12)

### 3 Кнопка изменения скорости

Позволяет устанавливать скорость в соответствии с воспроизводимой пластинкой.

- Для пластинок со скоростью вращения 33 1/3 об/мин нажмите кнопку [33].
- Для пластинок со скоростью вращения 45 об/мин нажмите кнопку [45].

⇨ *Воспроизведение* (стр.12)

### 4 Устройство подсветки иглы

Предназначено для подсветки кончика иглы.  
⇨ *Воспроизведение* (стр.12)

### 5 Переключатель подсветки иглы

Включает белую подсветку иглы и поднимает устройство подсветки в положение подсветки кончика иглы.  
⇨ *Воспроизведение* (стр.12)

### 6 Держатель картриджа

Используется для крепления картриджа.

### 7 Кнопка RESET

### 8 Индикатор RESET

При нажатии кнопки [RESET] включается индикатор [RESET]. Когда индикатор [RESET], проигрыватель вращается с заданной скоростью (33 1/3 об/мин или 45 об/мин) независимо от положения ползунка TEMPO.  
⇨ *Регулировка высоты тона* (стр.13)

### 9 Ползунок TEMPO

Можно перемещать в одну или другую сторону для точной регулировки скорости вращения.  
⇨ *Регулировка высоты тона* (стр.13)

### 10 Тонарм

⇨ *Регулировка* (стр.8)

### 11 Кнопка TEMPO RANGE

При каждом нажатии этой кнопки диапазон темпа переключается между  $\pm 8\%$ ,  $\pm 16\%$  и  $\pm 50\%$ .  
⇨ *Регулировка высоты тона* (стр.13)

### 12 Индикатор TEMPO RANGE

Установленный диапазон темпа подсвечивается синим цветом.

### 13 Зажим тонарма

Служит для фиксации тонарма.

### 14 Упор тонарма

Служит опорой тонарма.

### 15 Рычаг микролифта

При подъеме рычага тонарм поднимается. При опускании рычага тонарм опускается.

**16 Микролифт тонарма**

Это устройство предназначено для перемещения тонарма вверх и вниз. Управление им осуществляется рычагом микролифта.

**17 Ручка ANTI SKATING**

При воспроизведении пластинки на кончик иглы действует сила, направленная к центру вращения. За счет установки с помощью этой ручки давления равного силе, воздействующей на иглу, влияние этой силы устраняется.

↪ *Регулировка компенсации скатывающей силы (стр.9)*

**18 Фиксатор HEIGHT ADJUST**

Фиксирует установленную высоту тонарма.

↪ *Регулировка высоты тонарма (стр.9)*

**19 Ручка HEIGHT ADJUST**

Используется для регулировки высоты тонарма.

↪ *Регулировка высоты тонарма (стр.9)*

**20 Противовес**

Используется для балансировки тонарма и регулировки прижимной силы иглы.

↪ *Регулировка (стр.8)*

**21 Кольцо регулировки прижимной силы иглы**

Используется для установки необходимой прижимной силы картриджа.

↪ *Регулировка прижимной силы иглы (стр.8)*

**22 Стойка держателя картриджа**

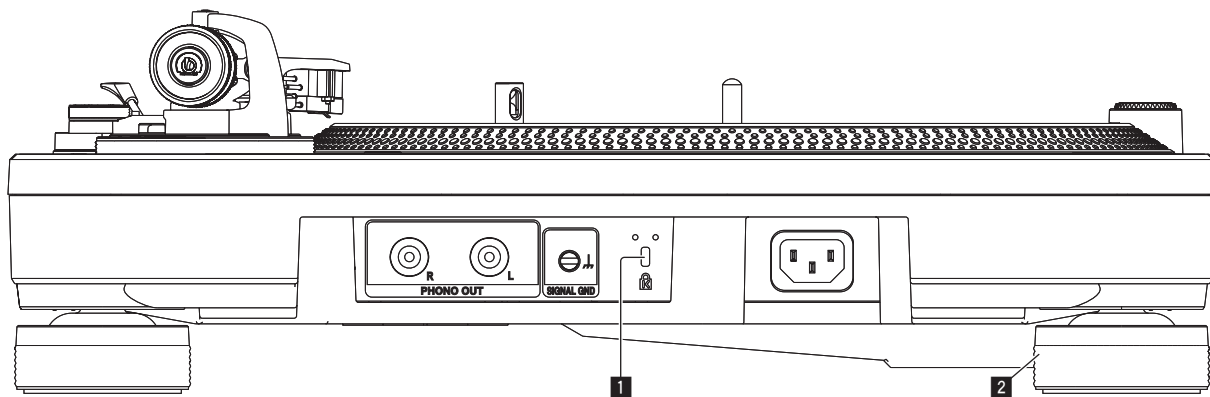
Используется для установки держателя в вертикальном положении.

**23 Адаптер для долгоиграющих пластинок**

Используется для воспроизведения стандартных долгоиграющих пластинок.

↪ *Воспроизведение стандартных долгоиграющих пластинок (стр.12)*

## Задняя панель



Для информации по используемым для подключения терминалам смотрите *Описания терминалов* на стр. 10.

**1 Слот замка Кенсингтона****2 Демпфер**

Подавляет влияние внешних вибраций. За счет поворота демпфера можно регулировать высоту проигрывателя.

↪ *Регулировка высоты основного блока (стр.11)*

# Регулировка

## Регулировка баланса тонарма

- Поскольку в зависимости от изделия массы картриджа и держателя картриджа отличаются, предусмотрена регулировка баланса тонарма.

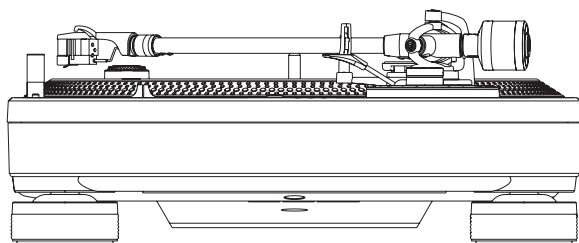
Выполните следующие подготовительные операции:

- Снимите защитный колпачок иглы и зажим тонарма, не прикасаясь к кончику иглы.
- Опустите рычаг микролифта.
- Установите регулятор [ANTI SKATING] на "0".

**Снимите тонарм с упора и отрегулируйте баланс таким образом, чтобы тонарм располагался горизонтально.**

Вращайте противовес, пока тонарм не примет почти горизонтальное положение.

- При перемещении тонарма обращайте внимание на то, чтобы кончик иглы не касался непосредственно опорного диска и других узлов.



## Регулировка прижимной силы иглы

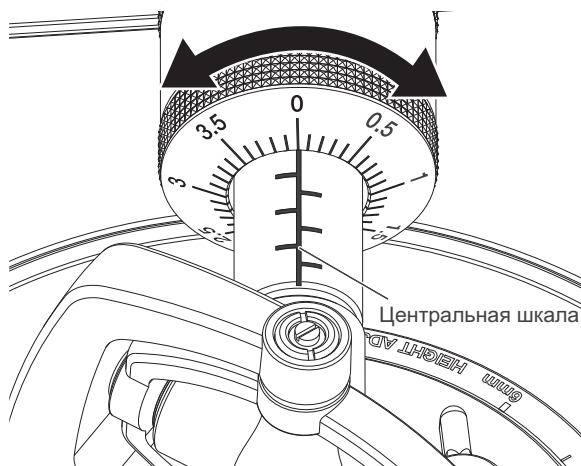
- Для предотвращения перескоков иглы и искажения звука необходимо соответствующим образом отрегулировать прижимную силу иглы для каждого картриджа.

Выполните следующие подготовительные операции:

- Верните тонарм на упор и закрепите зажимом тонарма.

**1 Совместите метку "0" на кольце регулировки прижимной силы иглы с осевой линией на задней части трубки тонарма.**

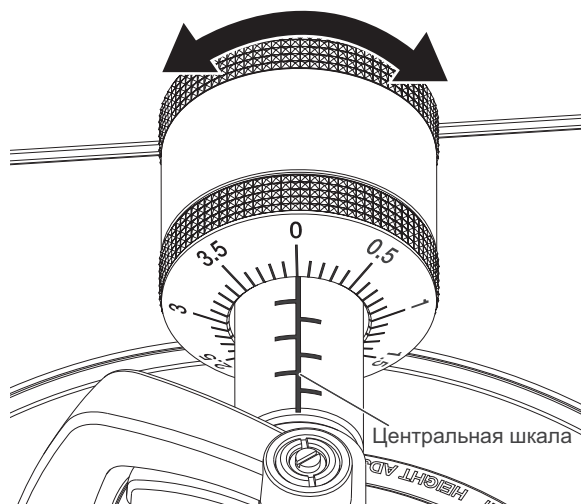
Удерживая противовес пальцем для предотвращения его перемещения, поверните только кольцо регулировки прижимной силы иглы так, чтобы метка числа "0" совпала с черной осевой линией на задней части трубки тонарма.



## 2 Отрегулируйте прижимную силу иглы.

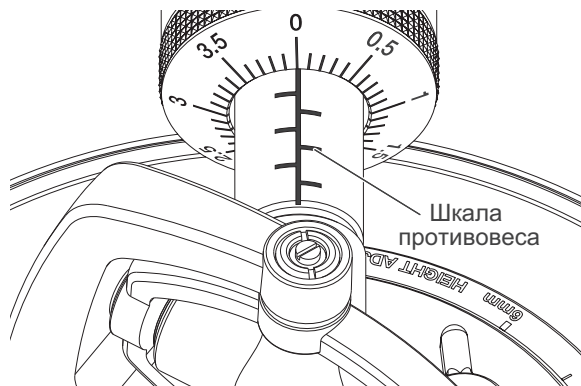
Поверните противовес, чтобы установить прижимную силу иглы, соответствующую используемому картриджу.

- При вращении противовеса вращается и кольцо регулировки прижимной силы. Следя за кольцом регулировки, установите необходимую прижимную силу иглы.



## Использование шкалы установки противовеса

Рекомендуется запомнить положение шкалы противовеса держателя с картриджем, поскольку необходимую прижимную силу иглы можно установить просто путем установки необходимого значения по шкале положения противовеса без регулировки горизонтального баланса тонарма.



**1 Установите держатель с картриджем на тонарм.**

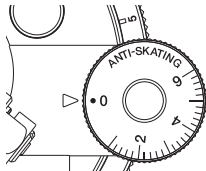
**2 Используя значение, установленное для противовеса, отрегулируйте положение шкалы установки противовеса.**

## Регулировка компенсации скатывающей силы

Эта регулировка выполняется для предотвращения перескока иглы.

Установите то же значение на шкале, что и для прижимной силы иглы.

Поверните ручку [ANTI SKATING] таким образом, чтобы метка значения, установленного для прижимной силы иглы картриджа, совпала с базовой линией.



## При воспроизведении со скрэтчем

Для предотвращения перескоков иглы отрегулируйте положение шкалы в соответствии с типом воспроизведения.

## Регулировка высоты микролифта

При необходимости выполните регулировку в соответствии с используемым картриджем.

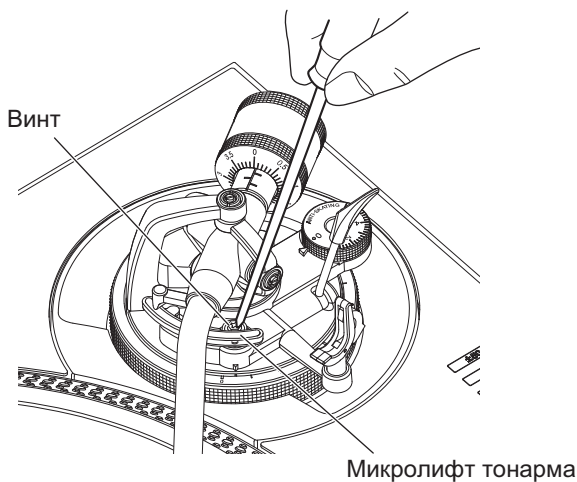
Выполните следующие подготовительные операции:

- Положите пластинку на подложку опорного диска.
- Снимите защитный колпачок иглы и зажим тонарма, не прикасаясь к кончику иглы.
- Поднимите рычаг микролифта и установите тонарм на пластинку.

Отрегулируйте высоту, поворачивая винт при опущенном микролифте.

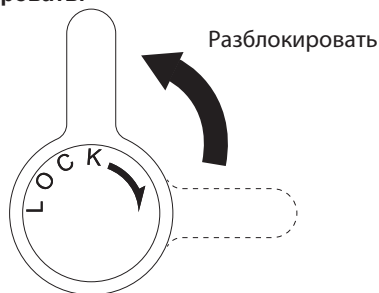
- При вращении по часовой стрелке расстояние между пластинкой и иглой уменьшается.
- При вращении против часовой стрелки расстояние между пластинкой и иглой увеличивается.

Высота микролифта тонарма (расстояние между пластинкой и иглой, когда рычаг микролифта поднят вверх) устанавливается на заводе-изготовителе в диапазоне примерно от 8 мм до 13 мм.



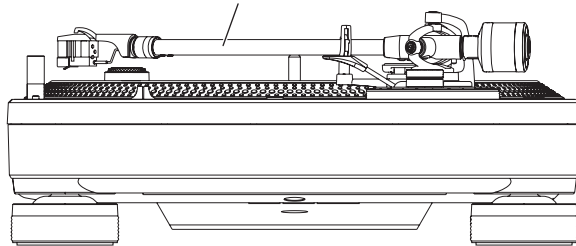
## Регулировка высоты тонарма

1 Поверните фиксатор [HEIGHT ADJUST], чтобы его разблокировать.

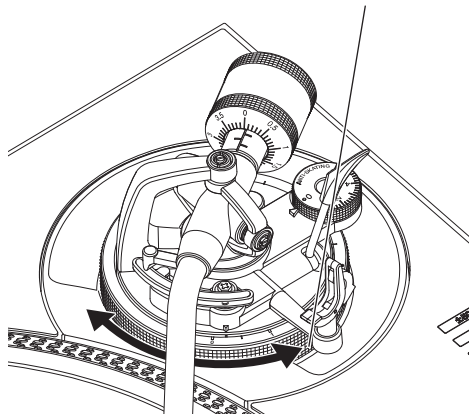


2 Опустите рычаг микролифта и установите иглу на пластинку, а затем с помощью ручки [HEIGHT ADJUST] добейтесь параллельности тонарма и пластинки.

Отрегулируете, чтобы тонарм находился горизонтально



Ручка [HEIGHT ADJUST]



Информация о положении ручки [HEIGHT ADJUST] в зависимости от размера картриджа приведена в таблице ниже.

H	Размер H картриджа (мм)	Положение ручки [HEIGHT ADJUST] по шкале
		19
20		1
21		2
22		3
23		4
24		5
25		6

3 Поверните фиксатор [HEIGHT ADJUST], чтобы зафиксировать высоту тонарма.

После регулировки высоты тонарма обязательно поверните фиксатор [HEIGHT ADJUST], чтобы зафиксировать тонарм.

## При воспроизведении со скрэтчем

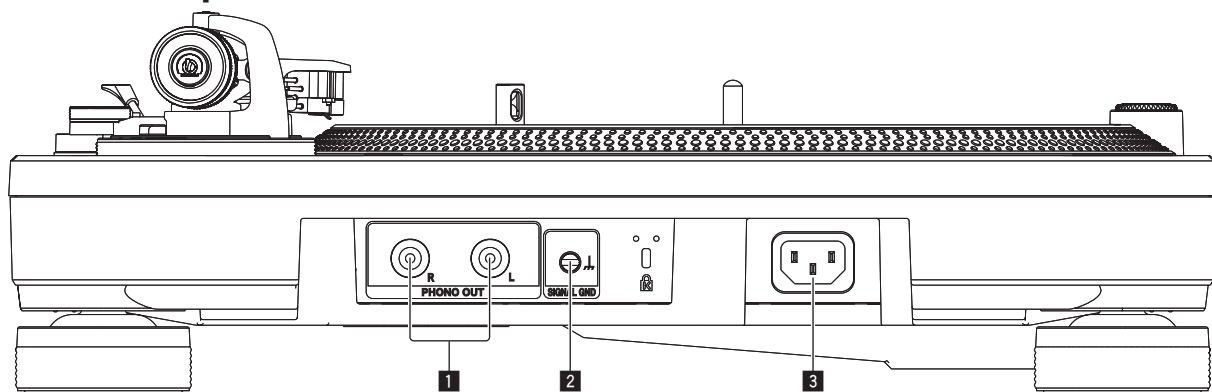
Для предотвращения перескоков иглы отрегулируйте высоту тонарма с помощью ручки [HEIGHT ADJUST] в соответствии с типом воспроизведения.



# Подключения

- При выполнении или изменении подключений, обязательно отключите питание и отсоедините силовой кабель от розетки.
- Смотрите инструкции по эксплуатации к подключаемому компоненту.
- После завершения всех подключений между устройствами подключите силовой кабель.

## Описания терминалов



### 1 Терминалы PHONO OUT

Подключите сюда аудиокабели (поставляются).

### 2 Терминал SIGNAL GND

Подключите провод заземления (дополнительное оборудование). Это позволяет уменьшить шум, когда подключен аналоговый проигрыватель.

### 3 AC IN

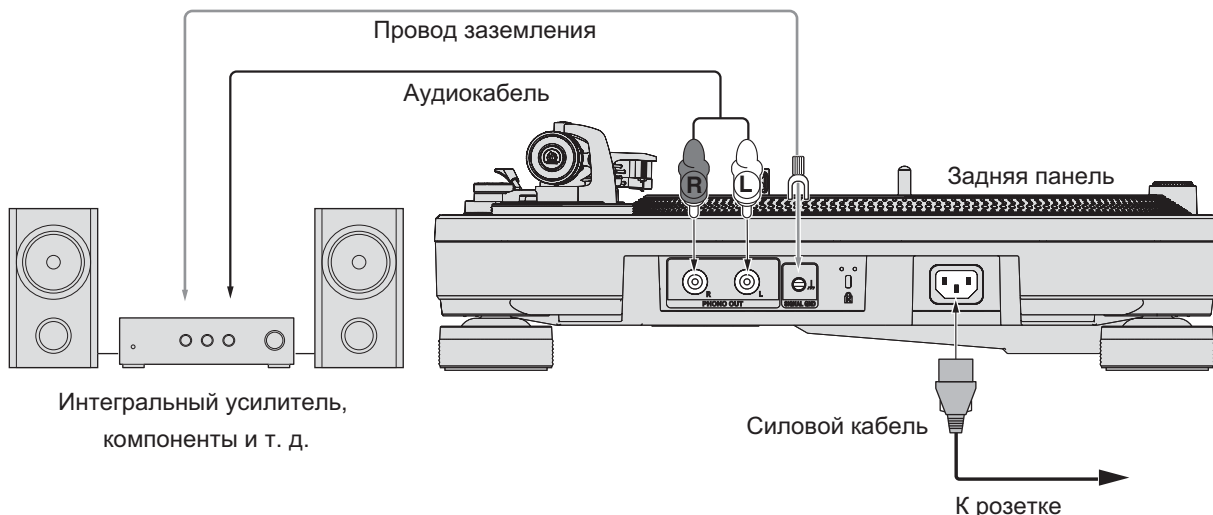
Подключается к розетке через поставляемый силовой кабель. Подключайте силовой кабель только после завершения всех подключений между оборудованием.

- Используйте только поставляемый силовой кабель.

## Основной стиль

- Подключается к розетке через поставляемый силовой кабель. Подключайте силовой кабель только после завершения всех подключений между оборудованием.
- Смотрите инструкции по эксплуатации к подключаемому компоненту.

## Подключение к интегральному усилителю и другому компоненту



### 1 Подключите аудиокабель и провод заземления к входному терминалу [PHONO] интегрального усилителя или другого компонента.

- Если данное изделие подключено к интегральному усилителю или компоненту без разъема [PHONO], получение звучания достаточного уровня и качества будет невозможно. В этом случае используйте эквалайзер PHONO.
- Обязательно подключите провод заземления. Если устройство не заземлено надлежащим образом, будет слышно гудение.

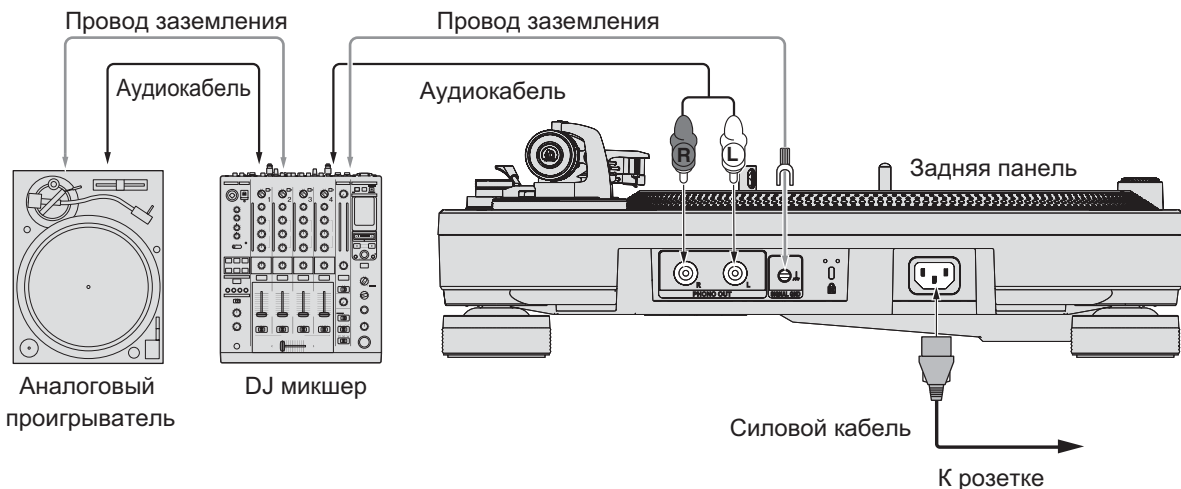
### 2 Подключите силовой кабель.

Подключается к розетке через поставляемый силовой кабель. Подключайте силовой кабель только после завершения всех подключений между оборудованием.

- Перед подключением к розетке (розетке переменного тока), установленной на подключенном оборудовании, проверьте мощность, указанную на розетке. (Данное устройство потребляет 9 Вт.)



## Подключение к DJ микшеру



### 1 Подключите аудиокабель и провод заземления к входному терминалу [PHONO] DJ микшера.

- Если данное изделие подключено к DJ микшеру без разъема [PHONO], получение звучания достаточного уровня и качества будет невозможно.
- Обязательно подключите провод заземления. Если устройство не заземлено надлежащим образом, будет слышно гудение.

### 2 Подключите силовой кабель.

Подключается к розетке через поставляемый силовой кабель. Подключайте силовой кабель только после завершения всех подключений между оборудованием.

- Перед подключением к розетке (розетке переменного тока), установленной на подключенном оборудовании, проверьте мощность, указанную на розетке. (Данное устройство потребляет 9 Вт.)

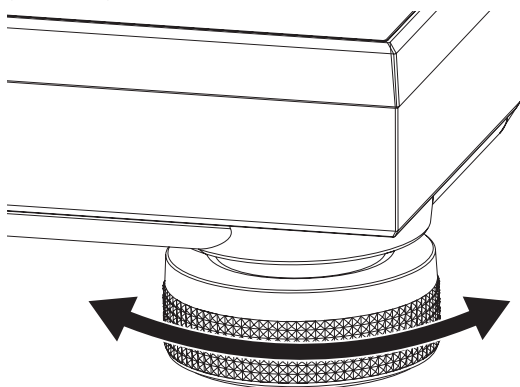
## Место установки

Установите устройство на горизонтальную поверхность, которая не подвергается воздействию внешних вибраций.

- Устанавливайте устройство на максимальном возможном расстоянии от акустической системы.
- Если устройство находится на небольшом расстоянии от радиоприемника (диапазона AM/FM), из радиоприемника может быть слышен шум. Устанавливайте радиоприемник на максимальном возможном расстоянии от данного устройства.

## Регулировка высоты основного блока

Путем поворота демпфера отрегулируйте высоту таким образом, чтобы основной блок находился горизонтально.



---

---

# Управление

---

---

## Включение питания

**1 Выполните все подключения, затем подключите силовой кабель к розетке.**

⇒ Подключения (стр.10)

**2 Переведите переключатель [POWER] в положение [ON], чтобы включить питание устройства.**

Высвечиваются индикаторы данного аппарата и включается питание.

---

---

## Отключение питания

**Переведите переключатель [POWER] в положение [OFF], чтобы выключить питание устройства.**

Питание данного аппарата отключается.

---

---

## Воспроизведение

Выполните следующие подготовительные операции:

- Положите пластинку на опорный диск.
- Снимите защитный колпачок иглы и зажим тонарма.

**1 Переведите переключатель [POWER] в положение [ON], чтобы включить питание устройства.**

**2 Нажмите кнопку [START/STOP].**

Опорный диск вращается.

**3 Нажмите кнопку [RESET].**

Индикатор [RESET] загорается желто-зеленым цветом, и скорость вращения возвращается к заданной (33 1/3 или 45 об/мин).

**4 Поднимите рычаг микролифта и установите тонарм на пластинку.**

**5 Опустите рычаг микролифта.**

Тонарм медленно опускается и начинается воспроизведение.

---

---

## Приостановка воспроизведения

**Поднимите рычаг микролифта.**

Игла картриджа поднимается от пластинки.

- Для возобновления воспроизведения опустите рычаг микролифта.

---

---

## Завершение воспроизведения

**1 Поднимите рычаг микролифта, чтобы вернуть тонарм на упор, а затем опустите рычаг микролифта.**

**2 Нажмите кнопку [START/STOP].**

Электронный тормоз плавно остановит опорный диск.

**3 Переведите переключатель [POWER] в положение [OFF], чтобы выключить питание устройства.**

Закрепите тонарм зажимом тонарма.

Чтобы защитить кончик иглы, наденьте защитный колпачок иглы.

---

---

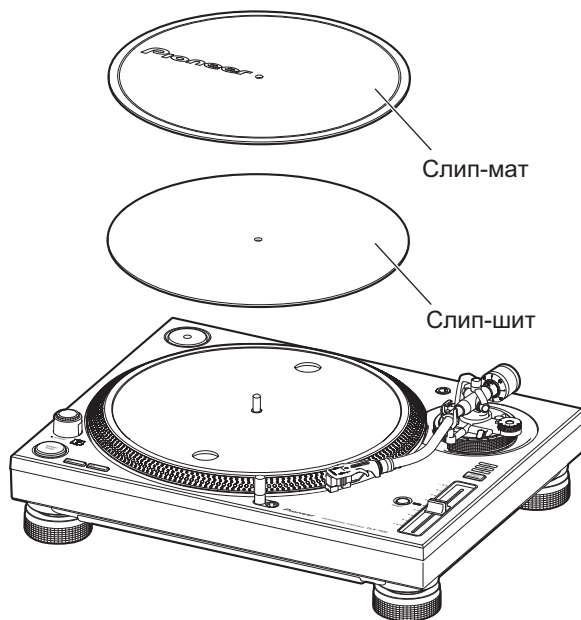
## Слип-мат и слип-шит

### Слип-мат

Если вместо подложки опорного диска положить мат, пластинку можно останавливать во время воспроизведения или вращать в противоположную сторону.

### Слип-шит

При использовании слип-шита под слип-матом скольжение и скрэтч будут более плавными.



---

---

## Воспроизведение стандартных долгоиграющих пластинок

Установите адаптер долгоиграющих пластинок на центральный шпиндель и нажмите кнопку [45].

---

---

## Подсветка кончика иглы

Нажатие переключателя подсветки включает белую подсветку иглы и поднимает устройство подсветки в положение подсветки кончика иглы.

- Если в этом нет необходимости, нажмите на выключатель подсветки стилуса, чтобы опустить его. Подсветка стилуса выключится.

---

---

## Установка пылезащитной крышки

После окончания использования устройства установите на него вертикально сверху пылезащитную крышку, удерживая ее с обеих сторон.

## Регулировка высоты тона

**1 Нажмите кнопку [RESET], чтобы выключить индикатор [RESET].**

**2 Передвигайте ползунок [ТЕМПО] вперед или назад.**

При перемещении ползунка вперед частота вращения увеличивается, а при перемещении назад — уменьшается.

- Шкала ползунка [ТЕМПО] показывает приблизительное значение. Используйте его в качестве ориентира.

**3 Нажмите кнопку [ТЕМПО RANGE].**

Диапазон регулировки ползунка [ТЕМПО] переключается при каждом нажатии кнопки. Загорается индикатор диапазона настройки.

Значение настройки	Единицы регулировки
±8	0,016 %
±16	0,032 %
±50	0,1 %

## Возврат к нормальной высоте тона

**Нажмите кнопку [RESET].**

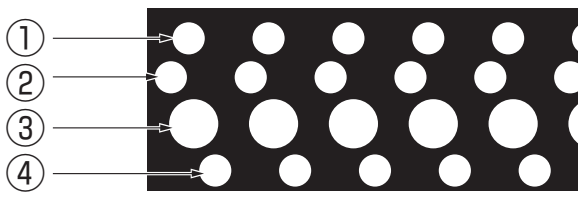
При нажатии кнопки [RESET] включается индикатор [RESET]. Когда индикатор [RESET], проигрыватель вращается с заданной скоростью (33 1/3 об/мин или 45 об/мин) независимо от положения ползунка ТЕМПО.

## Определение высоты тона

Более точно высоту тона можно определить по четырем рядам меток стробоскопии, нанесенным вокруг опорного диска.

- Стробирующая подсветка (светодиод синего цвета) используется для подсветки меток стробоскопии устройства. При определении высоты тона всегда пользуйтесь стробирующей подсветкой.

### Метки стробоскопии



- 1 Если метки стробоскопии выглядят неподвижными, то изменение высоты тона составляет +7,2 %
- 2 Если метки стробоскопии выглядят неподвижными, то изменение высоты тона составляет +3,3 %
- 3 Если метки стробоскопии выглядят неподвижными Заданная скорость вращения (33 1/3 об/мин или 45 об/мин)
- 4 Если метки стробоскопии выглядят неподвижными, то изменение высоты тона составляет -3,3 %

# Дополнительная информация

## Возможные неисправности и способы их устранения

- Зачастую неправильное срабатывание ошибочно воспринимается за неполадку или неисправность. Если вы думаете, что с данным компонентом что-то не так, проверьте пункты ниже, а также [FAQ] для [PLX-1000] на сайте поддержки Pioneer DJ.  
<http://pioneerdj.com/support/>  
В некоторых случаях неполадка может заключаться на другом компоненте. Проверьте другие компоненты, а также используемые электроприборы. Если проблему невозможно решить, обратитесь в ближайший авторизованный сервисный центр Pioneer или к дилеру для проведения ремонта.
- Данный аппарат может не срабатывать соответствующим образом по причине статического электричества или по другим внешним причинам. В таком случае, обычную работу можно возобновить, отключив питание, обждав 1 минуту и затем снова включив питание.

Неисправность	Проверьте	Способ устранения
Не включается питание.	Подключен ли силовой кабель соответствующим образом?	Подключите поставляемый силовой кабель к розетке соответствующим образом.
	Установлен ли переключатель [POWER] питания в положение [ON]?	Установите переключатель [POWER] питания в положение [ON].
Звучание отсутствует или слишком низкий уровень звучания.	Подключены ли аудиокабели соответствующим образом?	Правильно подключите аудиокабели.
	Не загрязнены ли терминалы и штекеры?	Перед выполнением подключений очистите терминалы и штекеры.
	Правильно ли установлен держатель картриджа?	Правильно установите держатель картриджа.
Звук левого и правого канала поменяны местами.	Поменяны ли местами соединения левого и правого каналов каждого оборудования?	Правильно подсоедините аудиокабель и проволочные выводы держателя картриджа.
	Во время воспроизведения слышен тихий гудящий звук (гудение или жужжание).	Находится ли возле соединительного шнура такое электрическое устройство, как флуоресцентная лампа или ее шнур питания?
Отсоединен или провод заземления проигрывателя?		Правильно подключите провод заземления.
Кончик иглы не опускается на пластинку.	Правильно ли отрегулирована прижимная сила иглы?	Отрегулируйте противовес, чтобы установить прижимную силу иглы, соответствующую используемому картриджу.
	Выполнена ли горизонтальная балансировка тонарма?	Поверните противовес до достижения горизонтального положения тонарма.
Происходят перескоки иглы.	Правильно ли отрегулирована прижимная сила иглы?	Отрегулируйте противовес, чтобы установить прижимную силу иглы, соответствующую используемому картриджу.
	Деформирован ли пластинка и есть ли на ней царапины?	Проверьте состояние пластинки.
	Скопилось ли на кончике иглы пыль?	Снимите держатель с картриджем и осторожно удалите пыль или другие загрязнения с кончика иглы мягкой щеткой или кисточкой.
	Правильно ли выполнена регулировка компенсации скатывающей силы?	Правильно отрегулируйте компенсацию скатывающей силы.
	Правильно ли выполнена регулировка высоты тонарма?	Правильно отрегулируйте высоту тонарма.
Тонарм останавливается и не перемещается дальше.	Есть ли на пластинке царапины?	Проверьте состояние пластинки.
	Упирается ли тонарм в посторонний объект?	Проверьте область вокруг тонарма. В случае обнаружения препятствия, удалите его.
Громкость звука слишком низкая или слишком высокая.	Соответствует ли подключение к усилителю используемому типу картриджа (выходу)?	Подключите соединительные кабели соответствующим образом.

## Предостережения по использованию

### О конденсации

Внутри аппарата (на рабочих деталях или линзе) могут образоваться водяные капли (конденсация) в зимнее время, например, если аппарат был перенесен с холодного места в теплую комнату, или при внезапном повышении температуры в комнате, где установлен аппарат (обогревание, др.). Аппарат не будет срабатывать соответствующим образом и не будет воспроизводиться, пока внутри него имеется конденсация. Оставьте аппарат на 1 или 2 часа при комнатной температуре (хотя в данное время зависит от состояния конденсации) отключенным. Водяные капли испарятся и можно будет управлять аппаратом. Конденсация может происходить также и в летнее время, если аппарат подвергался, например, прямому обдуванию от кондиционера воздух. В таком случае передвиньте аппарат в другое место.

## При транспортировке устройства в другое место

Для упаковки устройства используйте оригинальные упаковочные материалы.

Если оригинальные упаковочные материалы отсутствуют, выполните следующие операции:

- снимите подложку опорного диска и опорный диск и тщательно их упакуйте.
- снимите держатель картриджа и противовес с тонарма и тщательно их упакуйте.
- с помощью зажима тонарма зафиксируйте тонарм и закрепите его липкой лентой, чтобы исключить его перемещение.
- заверните основную блок в одеяло или мягкую бумагу, чтобы не допустить его повреждения.

---

---

## Техническое обслуживание каждого узла

При установке и снятии держателя картриджа отключайте питание усилителя.

Выполнение этих операции при установленной высокой громкости может вызвать повреждение громкоговорителя.

- Снимите держатель с картриджем и осторожно удалите пыль или другие загрязнения с кончика иглы мягкой щеткой или кисточкой.
- Для очистки пластинок используйте высококачественное средство для чистки пластинок.
- При помощи мягкой ткани или аналогичного материала очистите выводы держателя картриджа, а затем установите держатель на тонарм.

---

---

## Очистка пылезащитной крышки и других деталей

Для очистки пылезащитной крышки и корпуса используйте мягкую ткань

- Не очищайте пылезащитную крышку во время воспроизведения. Статическое электричество может привести к притягиванию тонарма к пылезащитной крышке.

---

---

## О торговых марках и зарегистрированных торговых марках

- Pioneer является зарегистрированной торговой маркой PIONEER CORPORATION.

Указанные здесь названия компаний и изделий являются торговыми марками их соответствующих владельцев.

---

---

## Технические характеристики

Требования к питанию ..... от 110 В до 120 В или от 220 В до 240 В  
переменного тока, 50 Гц/60 Гц

Потребляемая мощность..... 9 Вт

Вес основного аппарата ..... 14,6 кг

Макс. габариты ..... 453 мм (Ш) × 159 мм (В) × 353 мм (Г)

Допускаемая рабочая температура ..... от +5 °С до +35 °С

Допускаемая рабочая влажность...от 5 % до 85 % (без конденсации)

### Узел опорного диска

Привод ..... Прямой с сервоуправлением

Двигатель ..... 3-фазный бесколлекторный постоянного тока

Система торможения ..... Электронный тормоз

Скорость вращения..... 33 1/3 об/мин, 45 об/мин

Диапазон регулировки скорости вращения ..... ±8 %, ±16 %, ±50 %

Коэффициент детонации..... Не более 0,01 % WRMS

Измеряется путем получения сигнала от встроенного генератора частоты узла двигателя.

Соотношение сигнал/шум..... 70 дБ (DIN-B)

Опорный диск ..... Литой алюминий, диаметр: 332 мм

Пусковой момент..... не менее 4,5 кг·см

Время старта..... 0,3 секунд (при 33 1/3 об/мин)

### Узел тонарма

Тип тонарма.... Универсальный S-образный с карданной подвеской, статически сбалансированный

Эффективная длина ..... 230 мм

Навес ..... 15 мм

Погрешность слежения..... Не более 3°

Диапазон регулировки высоты тонарма ..... 6 мм

Диапазон регулировки прижимной силы иглы..... От

0 г до 4,0 г (1 деление шкалы — 0,1 г)

Номинальная масса картриджа ..... От 3,5 г до 13 г (один картридж)

При использовании груза держателя..... От 3,5 г до 6,5 г

При использовании только противовеса ..... от 6,0 г до 10 г

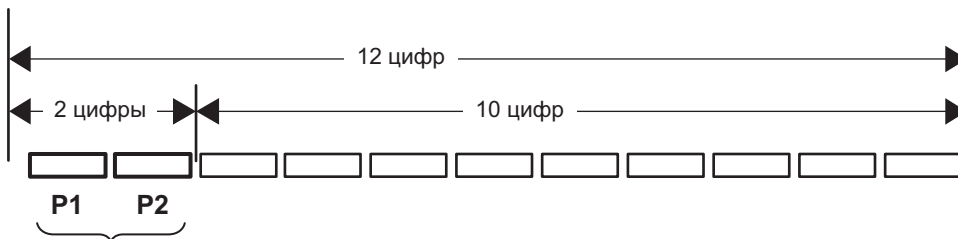
При использовании дополнительного противовеса .. От 9,5 г до 13 г

— Технические характеристики и конструкция данного изделия могут изменяться без уведомления.

— © PIONEER CORPORATION, 2014. Все права защищены.

Дату изготовления оборудования можно определить по серийному номеру, который содержит информацию о месяце и годе производства.

### Серийный номер



Дата изготовления оборудования

#### P1 - Год изготовления

Год	2001	2002	2003	2004	2005	2006	2007	2008	2009	2010
Символ	A	B	C	D	E	F	G	H	I	J

Год	2011	2012	2013	2014	2015	2016	2017	2018	2019	2020
Символ	K	L	M	N	O	P	Q	R	S	T

#### P2 - Месяц изготовления

Месяц	1	2	3	4	5	6	7	8	9	10	11	12
Символ	A	B	C	D	E	F	G	H	I	J	K	L

D3-7-10-7\_A1\_Ru



**Примечание:**

В соответствии со статьей 5 Закона Российской Федерации "О защите прав потребителя" и Указанием Правительства Российской Федерации № 720 от 16 июня 1997 года корпорация Pioneer Europe NV устанавливает условие на следующую продолжительность срока службы официально поставляемых на Российский рынок товаров.

Аудио и видеооборудование: 7 лет

Переносное аудиооборудование: 6 лет

Другое оборудование (наушники, микрофон и т.д.): 5 лет

Автомобильная электроника: 6 лет

D3-7-10-6\_A1\_Ru

© 2014 PIONEER CORPORATION.  
All rights reserved.

© 2014 PIONEER CORPORATION.  
Tous droits de reproduction et de traduction réservés.

**PIONEER CORPORATION**

1-1, Shin-ogura, Saiwai-ku, Kawasaki-shi, Kanagawa 212-0031, Japan

**Корпорация Пайонир**

1-1, Син-Огура, Сайвай-ку, г. Кавасаки, префектура Канагава, 212-0031, Япония

**Импортер: ООО "ПИОНЕР РУС"**

125040, Россия, г. Москва, ул. Правды, д.26 Тел.: +7(495) 956-89-01

**PIONEER EUROPE NV**

Haven 1087, Keetberglaan 1, B-9120 Melsele, Belgium TEL: 03/570.05.11

**PIONEER ELECTRONICS ASIACENTRE PTE. LTD.**

253 Alexandra Road, #04-01, Singapore 159936 TEL: 65-6472-7555

**PIONEER ELECTRONICS AUSTRALIA PTY. LTD.**

5 Arco Lane, Heatherton, Victoria, 3202, Australia, TEL: (03) 9586-6300

**PIONEER ELECTRONICS (THAILAND) CO., LTD.**

17th Fl., KPN Tower, 719 Rama 9 Road, Bangkapi, Huaykwang, Bangkok 10310 TEL: 66-2-717-0777

**PIONEER TECHNOLOGY (MALAYSIA) SDN. BHD**

16th Floor, Menara Uni. Asia 1008 Jalan Sultan Ismail 50250 Kuala Lumpur TEL: 60-3-2697-2920

**先鋒電子(香港)有限公司**

香港九龍長沙灣道 909 號 5 樓 TEL: 852-2848-6488

**PIONEER GULF FZE**

Lob 11-017, Jebel Ali Free Zone P.O. Box 61226, Jebel Ali Dubai TEL: 971-4-8815756

**PIONEER ELECTRONICS DE MEXICO S.A. DE C.V.**

Bldv.Manuel Avila Camacho 138 10 piso Col.Lomas de Chapultepec, Mexico, D.F. 11000 TEL: 55-9178-4270

**PIONEER INTERNATIONAL LATIN AMERICA S.A.**

Plaza Credicorp Bank, 14th Floor, Calle 50, No.120 Panama City 0816-01361 Republic of Panama TEL:

507-300-3900

K002\_PSV\_SY