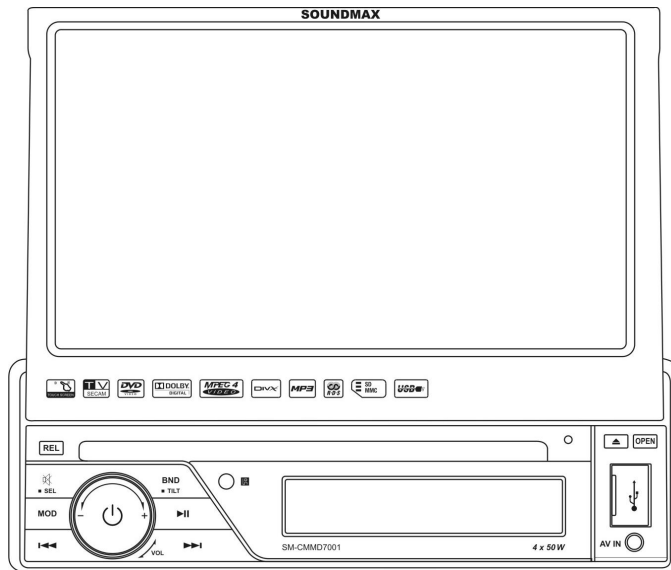
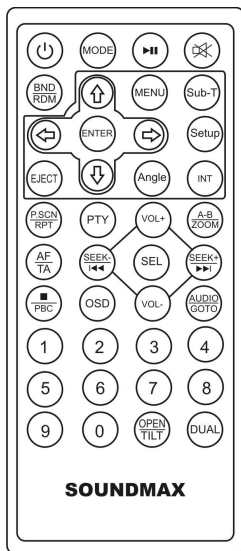


SM-CMMD7001



Мультимедийный DVD-ресивер с моторизированным 7" TFT-дисплеем и ТВ-тюнером **Руководство по эксплуатации**

Multimedia DVD receiver with motorized 7" TFT display and TV tuner
Instruction manual

Dear customer!

Thank you for purchasing our product. For safety, it is strongly recommended to read this manual carefully before connecting, operating and/or adjusting the product and keep the manual for reference in the future.

Table of contents

| | |
|----------------------------------|----|
| TABLE OF CONTENTS | 2 |
| IMPORTANT SAFEGUARDS | 3 |
| ACCESSORIES | 4 |
| INSTALLATION/CONNECTIONS | 5 |
| PANEL CONTROLS | 10 |
| LCD LAYOUT | 14 |
| GENERAL OPERATIONS..... | 15 |
| SYSTEM SETUP..... | 18 |
| RADIO OPERATIONS..... | 21 |
| TV OPERATIONS..... | 24 |
| DISC/USB/SD/MMC OPERATIONS | 25 |
| HANDLING COMPACT DISCS..... | 31 |
| CLEANING..... | 31 |
| TROUBLESHOOTING GUIDE | 32 |
| SPECIFICATION..... | 34 |

Important safeguards

- Read carefully through the manual to familiarize yourself with this unit.
- Keep this manual handy as a reference for operating procedures and precautions. Do not allow persons who have not read through this manual to use this unit.
- "CLASS 1 LASER PRODUCT"
This product contains a laser diode of higher class than 1. Laser beams from the optical pickup are dangerous to the eyes. To ensure continued safety, do not remove any covers or attempt to gain access to the inside of the product. Refer all servicing to qualified personnel.
- Do not allow this unit to come into contact with liquids. Electrical shock could result. Also, damage to this unit, smoke, and overheating could result from contact with liquids or dust. Protect this unit from moisture.
- Make sure that foreign objects do not get inside the unit; they may cause malfunctions, or create safety hazards such as electrical shock or laser beam exposure.
- The beginning of operation is the moment of the unit installation. Before use the device in winter it is recommended to heat up the passenger compartment during 20 seconds or to the operation temperature.
- Using the unit with the temperature that goes beyond the operation temperature greatly decreases the operation resource of the screen and other components of the unit and can result in an outage.
- Disconnect the vehicle's negative battery terminal while mounting and connecting the unit.
- The unit is designed for negative terminal of the battery, which is connected to the vehicle metal. Please ensure it before installation.
- When replacing the fuse, be sure to use one with an identical amperage rating. Using a fuse with a higher amperage rating may cause serious damage to the unit.
- Do not allow the speaker wires to be shorted together when the unit is switched on. Otherwise it may overload or burn out the power amplifier.
- Make sure you disconnect the power supply and aerial if you will not be using the system for a long period or during a thunderstorm.
- Make sure you disconnect the power supply if the system appears to be working incorrectly, is making an unusual sound, has a strange smell, has smoke emitting from it or liquids have got inside it. Let a qualified technician check the system.
- Always keep the volume low enough so that you can hear sounds from outside the vehicle.
- Should this product fail to operate properly, contact your dealer or nearest service center.

Accessories

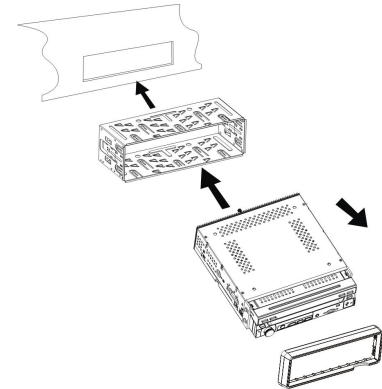
- 1. Receiver 1 pc
- 2. Front panel 1 pc
- 3. Protective case 1 pc
- 4. Remote controller 1 pc
- 5. ISO connector 1 pc
- 6. Mounting parts:
 - Nut 1 pc
 - Washer 1 pc
 - Screw 6 pcs
 - Metal strap 1 pc
 - Release key 2 pcs
 - Rubber 1 pc
- 7. Instruction manual 1 pc
- 8. Warranty card 1 pc
- 9. Consumer information 1 pc

Installation/Connections

- Choose the mounting location where the unit will not interfere with the normal driving function of the driver.
- Before finally installing the unit, connect the wiring and make sure that the unit works properly.
- Consult with your nearest dealer if installation requires the drilling of holes or other modifications of the vehicle.
- Install the unit where it does not get in the driver's way and cannot injure the passenger if there is a sudden stop, like an emergency stop.
- If installation angle exceeds 30° from horizontal, the unit may not perform properly.
- Avoid installing the unit where it would be subject to high temperature, such as from direct sunlight, or from hot air, from the heater, or where it would be subject to dust, dirt or excessive vibration.

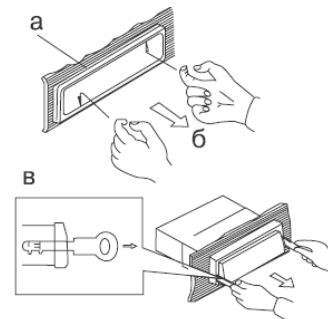
Mounting into dashboard

1. Install the sleeve into the dashboard; ensure it is installed with the correct side and there are no obstacles (wires, dashboard elements, etc) for the unit installation.
2. After installing the sleeve into the dashboard, bend tabs fitting to the size of the dashboard to fix the sleeve in place.
3. Make the necessary wire connections. Ensure the connections are correct.
4. Remove the trim frame from the unit. Install the unit into the sleeve until the side locks are fixed. Put the trim frame onto the unit.



Dismantling the unit

Turn off the device. Remove the front panel and place it into the case. First remove the front frame of the device by inserting a flat object (e.g. the back of the disassembly key) between the device and the panel to the right and left of the short side of the frame and carefully levering the panel out towards the front. Then insert the two release keys into the openings on both sides of the front of the device and slide these until the stop. Make sure that the protrusion on the disassembly key points away from the device during the insertion. Slowly and carefully pull out the device. Remove the cable and antenna from the device.



Detachable front panel

Install the fastening hole on the right side of the front panel onto the right fastening of the unit. Press on the left part of the panel until a click. Ensure that the panel is properly fixed.

To detach the front panel, press REL button, then distract the right side of the panel from the fastening of the unit.

Anti-theft system

The front panel of this unit can be stored in the included protective case when not in used and carried away when you leave the vehicle to deter theft.

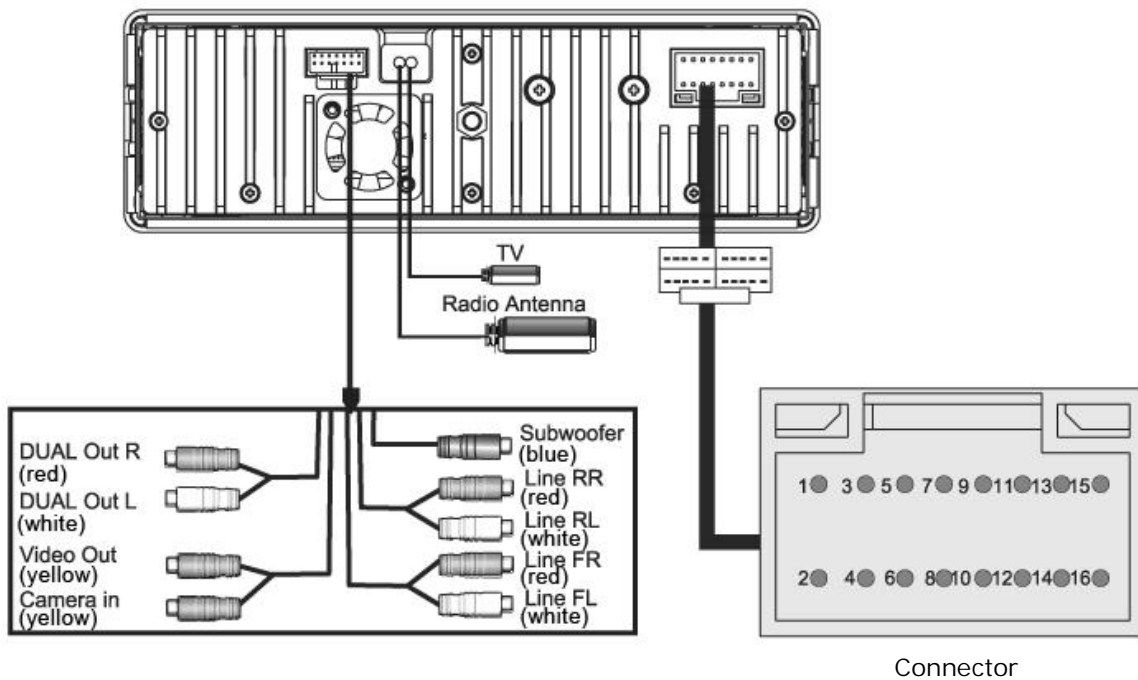
Switch off the power of the unit. Detach the front panel, then put it to the protective case and take it with you.

Cautions: The control panel can easily be damaged by shocks. After removing it, place it in a protective case and be careful not to drop it or subject it to strong shocks.

The rear connector that connects the main unit and the control panel is an extremely important part. Be careful not to damage it by pressing on it with fingernails, pens, screwdrivers, etc.

Note: If the control panel is dirty, wipe off the dirt with soft, dry cloth only. And use a cotton swab soaked in isopropyl alcohol to clean the socket on the back of the control panel.

Connection diagram



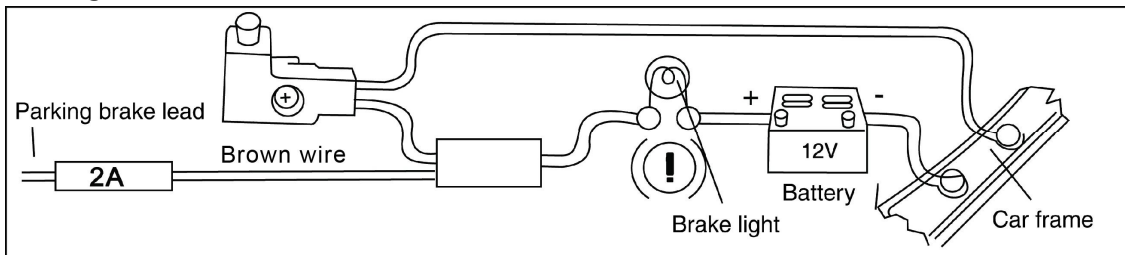
Connector wires

1. -
2. Rear left - speaker (green/black)
3. Reverse (pink)

- SOUNDMAX
4. Rear left + speaker (green)
 5. Parking wire (brown)
 6. Front left - speaker (white/black)
 7. -
 8. Front left + speaker (white)
 9. Acc (red)/Fuse 1 A
 10. Front right + speaker (grey)
 11. Auto antenna (blue)
 12. Front right - speaker (grey/black)
 13. Ground (black)
 14. Rear right + speaker (purple)
 15. Battery (yellow)/Fuse 10 A
 16. Rear right - speaker (purple/black)

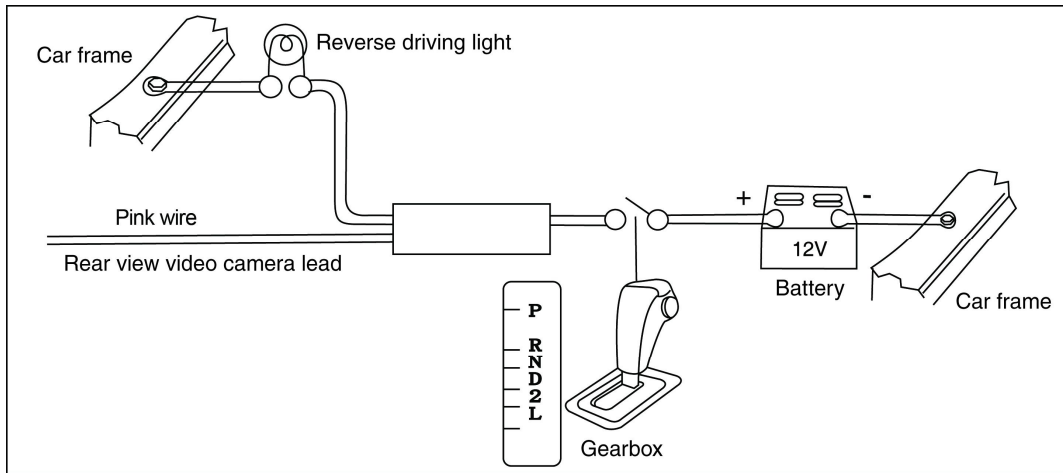
Power antenna wire is intended for power supply of the antenna and for remote control of an additional amplifier.

Parking wire connection



If Parking cable is connected to hand brake switch, the video display of the TFT monitor will be controlled by driving status. When the car is moving ahead, if the video disc is played, the screen shows warning and blank screen. The warning screen will prevent the driver from watching images.

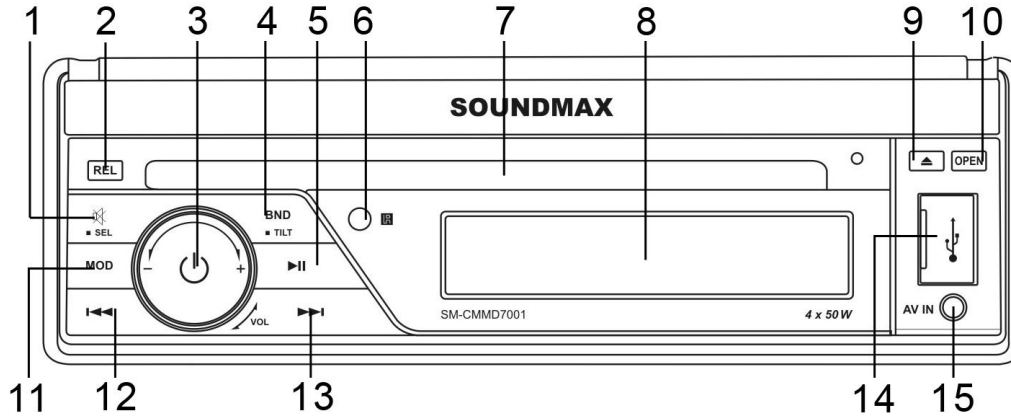
Reverse driving cable connection



If the rear view video camera is connected, the unit automatically switches to camera picture during reverse driving. The unit returns to the original work mode after the reverse driving is done.

Panel controls

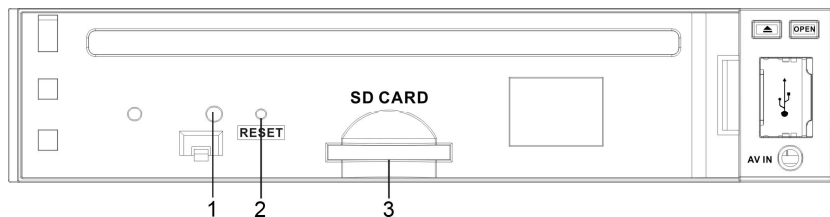
Front panel



- 1. MUTE/SEL button
- 2. REL button
- 3. POWER button/VOL regulator
- 4. BND/TILT button
- 5. PLAY/PAUSE button
- 6. IR sensor
- 7. Disc slot
- 8. LCD display
- 9. EJECT button
- 10. OPEN button
- 11. MOD button
- 12. PREVIOUS button
- 13. NEXT button
- 14. USB port
- 15. AV input

Inner panel

1. Panel status indicator
2. RESET button (hole)
3. SD/MMC memory card slot

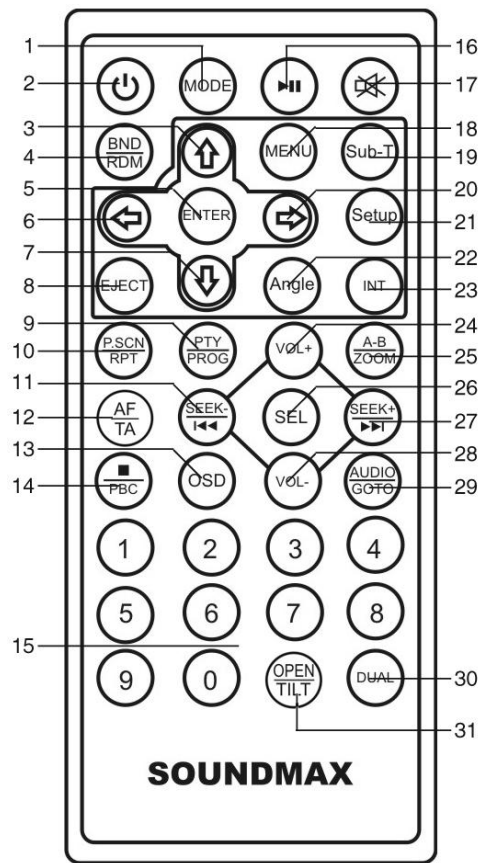


Pressing RESET hole will erase the clock setting and stored stations.

Panel status indicator lights up when you slide the panel down, flashes when you remove the panel.

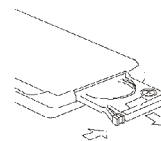
Remote controller

1. MODE button
2. POWER button
3. UP cursor button
4. BND/RDM button
5. ENTER button
6. LEFT cursor button
7. DOWN cursor button
8. EJECT button
9. PTY/PROG button
10. P.SCN/RPT button
11. SEEK-/PREVIOUS button
12. AF/TA button
13. STOP/PBC button
14. Digit buttons
15. PLAY/PAUSE button
16. MUTE button
17. MENU button
18. SUB-T button
19. RIGHT cursor button
20. SETUP button
21. ANGLE button
22. INT button
23. VOL+ button
24. A-B/ZOOM button
25. SEL button
26. SEEK+/NEXT button
27. OSD button
28. VOL- button
29. AUDIO/GOTO button
30. DUAL button
31. OPEN/TILT button

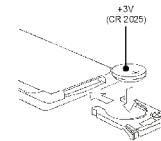


Changing the battery

1. Press the catch and at the same time pull out the battery tray (pic. 1).
2. Insert the 1 lithium battery, type CR2025 (3V) battery with the stamped (+) mark facing upward. Insert the battery tray into the remote controller (pic.2).



Pic. 1

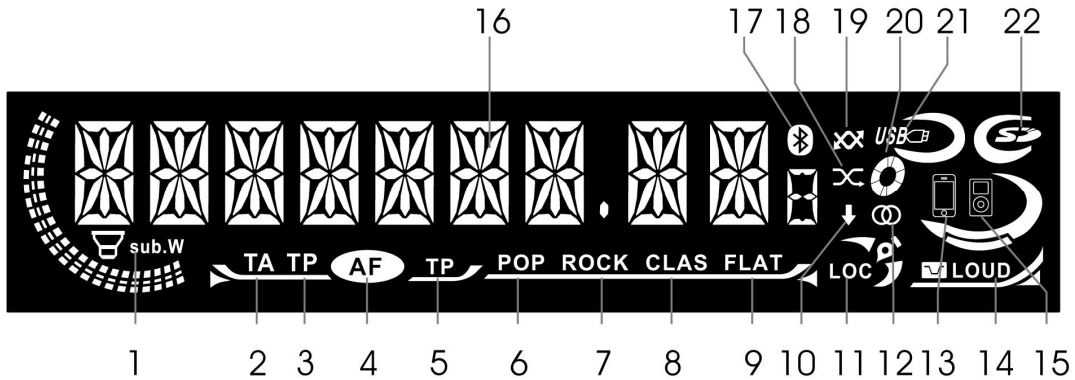


Pic. 2

Warning:

- Store the battery where children cannot reach. If a child accidentally swallows the battery, consult a doctor immediately.
- Do not recharge, short, disassemble or heat the battery or dispose it in a fire.
- Do not expose or bring into contact the battery with other metallic materials. Doing this may cause the battery to give off heat, crack or start a fire.
- When throwing away or saving the battery, wrap it in tape and insulate; otherwise, the battery may give off heat, crack or start a fire.
- Please direct the Remote controller to the IR sensor of the front panel.

LCD layout



- | | |
|---------------------------------------|----------------------------------------------------------------|
| 1. Subwoofer indicator | 12. Stereo reception indicator |
| 2. TA function indicator | 13. Not active for this model |
| 3. TP function indicator | 14. Loudness indicator |
| 4. AF function indicator | 15. Not active for this model |
| 5. PTY function indicator | 16. Digital display (radio frequency, track name/number, etc.) |
| 6. POP equalizer mode indicator | 17. Not active for this model |
| 7. ROCK equalizer mode indicator | 18. Random playback indicator |
| 8. CLASS equalizer mode indicator | 19. Repeat playback indicator |
| 9. FLAT equalizer mode indicator | 20. Disc playback indicator |
| 10. Intro playback indicator | 21. USB playback indicator |
| 11. Local station reception indicator | 22. Memory card playback indicator |

General operations

Touch screen

Due to the touch screen, you can fulfill most functions not only by pressing buttons but also by touching the options you need.

Turning the unit on/off

Press any button (except REL button and EJECT button) to switch the unit on. Press POWER button on the RC or on the panel to turn off the power.

Open the monitor

Press OPEN button on the unit or OPEN/TILT button on the RC to open the monitor. Press the button again, the monitor returns to the previous state. Do not obstruct opening/closing the monitor and do not do it manually.

Volume control

Press VOL+/VOL- buttons on the RC or rotate VOL regulator on the unit to increase/decrease the sound level.

Setting the sound characteristics

Press SEL button on the RC or press and hold SEL/MUTE button on the panel to open the sound setting menu, consisting of following items: Equalizer, Bass, Treble, Balance and Fader. Adjust each parameter by pressing the cursor buttons on the RC or by touching them directly on the screen.

Mute function

Press MUTE button on the RC or SEL/MUTE button on the unit to turn off the sound. Press the button again or adjust volume to resume the sound output.

Mode selection

- Repeatedly press MODE button on the RC or MOD button on the panel to select a mode: Radio => Disc => USB => CARD => TV => AV-in.
- In any mode touch MENU (in the right top corner of the screen) or press MENU button on the RC to display the Main menu as shown in the picture. In the menu, touch the item of the mode you need to select the corresponding mode.

Note: The Disc, USB and CARD modes are only available when a disc, USB or SD/MMC card is inserted into the unit.



Angle setting

Press and hold repeatedly OPEN/TILT button on the RC or BND/TILT button on the panel to adjust the desired angle of the monitor. Do not adjust the monitor tilt manually, otherwise it can get damaged.

AV in jack

AV jack is intended to receive audio and video signals by connecting to external device.

Subwoofer

Connect a subwoofer to this unit using the Subwoofer output of this unit. For subwoofer operation an external amplifier is required.

Dual zone function

DUAL - dual zone function enabling user to listen to radio or watch TV in the front zone, and at the same time play audio or video from disc, USB or memory card. For Dual zone an external monitor is required having its own acoustic system and possibility of volume adjustment.

Press and hold POWER button on the front panel or press DUAL button on the RC to enable Dual zone mode and to select between C-DUAL or D-DUAL.

- Dual in Radio/TV/AV-In modes

C-Dual on: When C-Dual is on, all buttons are working regularly, except MUTE (MUTE/SEL), MODE (MOD) and VOL buttons (VOL regulator). Pressing MUTE or VOL +/- buttons on the RC (or pressing MUTE/SEL button and rotating VOL regulator on the panel) can control the main unit (cannot control external monitor). Pressing

MODE button on the RC or MOD button on the panel can switch all modes of the main unit, but the external monitor is showing DVD/USB/SD mode only.

D-Dual on: When D-Dual is on, all buttons are working regularly except VOL+/- buttons on the RC or VOL regulator on the panel for the external monitor and MUTE (MUTE/SEL), MODE (MOD) buttons. Pressing MUTE button on the RC or MUTE/SEL button on the panel can control external monitor (cannot control the main unit), pressing MODE button on the RC or MOD button on the panel can change DVD/USB/SD mode for external monitor, the main unit will keep in current mode.

- Dual in DVD/USB/SD mode

C-Dual on: When C-Dual is on, all buttons are working regularly, except MUTE (MUTE/SEL), MODE (MOD) and VOL buttons (VOL regulator). Pressing MUTE or VOL+/- buttons on the RC (or pressing MUTE/SEL button and rotating VOL regulator on the panel) can control the main unit (cannot control external monitor). Pressing MODE button on the RC or MOD button on the panel can switch all mode of the main unit, but the external monitor is only DVD/USB/SD mode.

D-Dual on: When D-Dual is on, all buttons are working regularly except VOL+/- buttons on the RC or VOL regulator on the panel for the external monitor, and MUTE (MUTE/SEL), MODE (MOD) buttons. Pressing MUTE button on the RC or MUTE/SEL button on the panel can control external monitor (cannot control the main unit), when pressing MODE button on the RC or MOD button on the panel, the main unit and external monitor is showing DVD/USB/SD mode only.

System setup

When you select SETTINGS mode or press SETUP button on the RC, the menu will be displayed, in which you can touch any item to select or adjust it. You can also navigate in the menu and perform adjustment by pressing cursor buttons on the RC and confirm your selection by pressing ENTER button on the RC.

Sound page

- EQ: Select Flat, Classic, Pop, Rock or User equalizer mode.
- Bass: Adjust the low-frequency level.
- Treble: Adjust the high-frequency level.
- Balance: Adjust the balance between left and right channels.
- Fader: Adjust the balance between front and left channels.
- Beep: Select ALL (beep is heard at any button pressing), 2ND (beep is heard when a button is pressed and held) or OFF (no beep).
- Loud: Selecting loudness ON will emphasize the low frequency output.
- Subwoofer: set the subwoofer on or off.

Display page

- Screen: Select 16:9, 4:3 or FULL screen modes.
- Backlight: select LOW, MID or HIGH display backlight level.

RDS and Radio page

- Area: Select Europe, USA, South America or Russia.
- Stereo: Select ON (stereo reception mode) or OFF (mono reception). When the received stereo signal is weak, switch to mono mode to improve the signal. The function is available only in FM bands.
- Local: Select ON (only local station reception) or OFF (local and distant station reception).
- TA volume: Adjust level of TA volume.
- Retune: Long/Short. RETUNE refers to the time period the unit allows for radio scan when reception is interrupted. "Short" represents a time period of 30 seconds and "Long" represents a time period of 90 seconds.

- PI: Mute/Sound. PI sound refers to the reception noise when the AF function tries to scan alternative frequency.
- REGION: REG ON (the receiver accepts regional variants of the tuned station with REG icon turned on), and REG OFF (the receiver ignores regional variants).
- Mask: DPI/ALL. During MASK DPI mode, the unit will mask only the AF which has different PI, this is the default mode; during MASK ALL mode, the unit will mask the AF which has different PI and no RDS signal with high field strength.
- EON TA: DX/Local. If you want to receive information from local stations only, select EON TA Local mode. Otherwise, select EON TA DX mode.
- TA: Seek/Alarm. In TA SEEK mode, the unit will seek for traffic announcement program when TA is pressed; in TA ALARM mode, no TA/TP is displayed and the alarm is set off.

General page

- Dual: Select ON or OFF the Dual zone function.
- Key: Use buttons at CURRENT (buttons perform operations for the current mode of the front zone) or DVD (buttons perform DVD functions). This function is available only if ON is selected for DUAL.
- Tilt mode: Select Auto/Manual tilt mode.
- Tilt angle: Select the monitor tilt angle.
- Clock display: Select ON (clock is displayed) or OFF (clock is not displayed).
- Clock hour: select 12-hour or 24-hour clock display mode.
- Clock setting: A touchable keyboard is displayed. Input the current time and touch OK to confirm.

DVD page

- OSD language: Select on-screen display language.
- Subtitle lang: Select a DVD subtitle language.
- Audio lang: select a language of the DVD audio.
- DVD menu lang: Select a language of the DVD menu.
- Password: In order to make the Rating feature work, the password mode must be turned on. If you want to set the ratings limit, you will need to enter the default password, which is 0000, then press ENTER to confirm. To change the password, enter the Password change submenu. If you change the password, the default password 0000 will be void.

Note: if you forget your password, there is no possibility to reset the password again. Do not forget your password and write it down or store the password in a safe place.

- Rating: The Rating control level is for parents to control playing content and protect your children from violence and erotic. The disc, the level of which is higher than the setting level can not be played.
- TV shape: Select 4:3/PS (the wide-screen image shows on the full screen, but some part is cut off, 4:3/LB (the wide-screen image shows and black bars appear on the top and bottom of screen, 16:9 (wide-screen image is shown).
- NTSC/PAL: Select color system NTSC or PAL.
- Default: Reset to the initial factory settings.

System info page

In this menu you can see the current version information. Besides, calibration function is available:

Calibration: "Carefully press and hold stylus on the center of the target longer than 1 second" is displayed.

Touch and hold the red cross in each position until it moves to a different position. After repeating it 4 times, the calibration of the screen is complete. The calibration procedure is useful when some malfunction occur with the touch screen, and it needs adjustment.

Radio operations

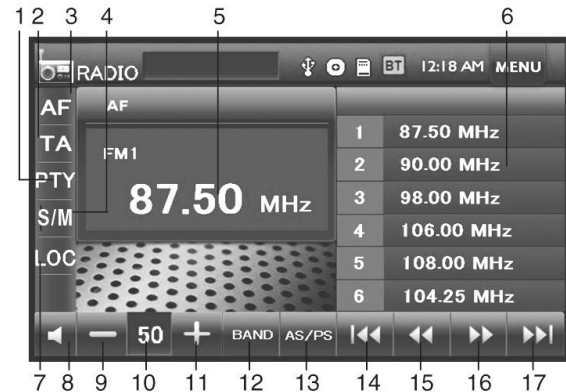
User interface of Radio mode

When the unit is switched to Radio mode, the touchable interface will be displayed on the display.

1. PTY button. Touch to enable/disable PTY function. In the PTY list, touch a program type to start its search.
2. TA button. Touch to enable/disable TA function.
3. AF button. Touch to enable/disable AF function.
4. S/M button. Touch to select stereo/mono reception mode.
5. Current band and frequency.
6. Preset station buttons. Touch to select the station. Touch and hold to save the current frequency under the preset number.
7. LOC button. Touch to select local/distant station reception.
8. Mute button; touch to switch sound on/off.
9. Volume down button. Touch to decrease volume.
10. Volume level.
11. Volume up button. Touch to increase volume.
12. BAND button. Touch to select bands.
13. AS/PS button. Touch to scan all saved stations in current band. Touch and hold to find and save 6 available stations in current band.
14. ⏪ button. Touch for automatic search of the nearest station downwards.
15. ⏴ button. Touch repeatedly to change frequency step by step downwards.
16. ⏵ button. Touch repeatedly to change frequency step by step upwards.
17. ⏩ button. Touch for automatic search of the nearest station upwards.

Band selection

Press BND/RDM button on the RC or BND/TILT button on the panel to switch to the bands in the following order: FM1 - FM2 - FM3 - MW1 - MW2.



Manual/automatic tuning

- Manual tuning: press PREVIOUS/NEXT buttons on the panel or SEEK-/PREVIOUS and SEEK+/NEXT buttons on the RC and hold for 2 seconds to enter the manual tuning mode. Press these buttons repeatedly to select a frequency downward or upward step by step.
- Automatic tuning: press PREVIOUS/NEXT buttons on the panel or SEEK-/PREVIOUS and SEEK+/NEXT buttons on the RC, the automatic search will start. It will play when finds the station.

Programming tuner stations

There are 6 numbered preset buttons on the RC, with which you can store and recall up to 6 stations for each band (18 FM, 12 MW). Select a station, then press and hold a preset button. The station will be saved in the memory under the corresponding number. To recall a stored station, press the corresponding number button.

Auto memory store/Preset scan

- Auto store: Select a band, press and hold P.SCN/RPT button on the RC to enter auto store mode. The radio will automatically store 6 stations to the 6 preset memories of the current band. To stop auto store, press the button again.

Note: During auto station preset, the unit will search and store stations with the strong signal first, and then weaker signal stations until the memories are full.

- Preset scan: Select a band, press P.SCN/RPT button on the RC to scan all preset stations in the memories of the current band. To stop preset scan, press the button again.

RDS background

RDS service availability varies with areas. Please understand if RDS service is not available in you area, the following service is not available.

AF (Alternative frequencies) function

Press and hold AF/TA button on the RC to enable AF function. When the radio signal strength is poor, enabling the AF function will allow the unit to automatically search another station with the same PI (Program Identification) as the current station but with stronger signal strength.

Note: AF indicator on the display will flash until RDS information is received. If RDS service is not available in your area, turn off the AF mode.

TA (Traffic alarm) function

Press AF/TA button on the RC to switch on the TA function. When TA is on, the TA displays on TFT, or else, if there is no TP information, the mode will search TP station automatically. When TA is playing, the volume will be adjusted to a TA level automatically. When other modes are activated (such as DVD, AUX), if a TA program is played the mode will skip to the RDS mode automatically. It will resume to the primary mode after the TA is over.

Program type (PTY)

Briefly press PTY button on the RC to activate PTY function. When PTY is on, you can press UP/DOWN cursor buttons or number buttons on the RC to select a program type to search the special program. You can also touch the program type names directly on the screen. When PTY info is available, press OSD button on the RC to display such information. If PTY is off, the searching is stopped.

TV operations

- Connect a TV antenna to the TV antenna jack of the unit. Select TV mode.
- Select TV mode, then press PLAY/PAUSE button on the RC or front panel, or touch the screen, then touch TV MENU item to show the TV Menu. To select a menu page (Auto Program or Manual Program) press UP/DOWN cursor buttons on the RC or touch these items on the screen. To enter the selected page press ENTER button on the RC. Press UP/DOWN cursor buttons on the RC or touch the needed item on the screen to select an item, and then press ENTER button on the RC or press the item on the screen to adjust the setting. Touch BACK item on the screen or press PLAY/PAUSE button on the RC or front panel to return to previous menu page. When you touch the screen, a menu appears in which you can touch ▲ and ▼ icons to adjust the monitor tilt.

AUTO PROGRAM

- System: select TV system (SECAM/NTSC/PAL).
- Audio: select sound system (DK/BG/I). For PAL/NTSC systems M/N sound system is available as well.
- Search: select to start automatic search and storing of TV channels.

MANUAL PROGRAM

- Storage: select the storage number of the channel.
- System: select TV system (SECAM/NTSC/PAL).
- Audio: select sound system (DK/BG/I). For PAL/NTSC systems M/N sound system is available as well.
- Channel: Select the number of the channel.
- Fine: perform fine tuning of picture quality.
- Memory: select on (memorize the found channel) or off (not memorize).

Disc/USB/SD/MMC operations

USB/SD/MMC notes

USB format supports 1.1. Capacity: up to 16 Gb.

For correct and satisfactory operation, licensed SD/MMC memory cards of famous brands should be used with this unit. Avoid using memory cards of unknown brands. Capacity: up to 16 Gb.

Insert/Eject disc

- Insert a disc into the disc slot with label side up. The disc will be automatically loaded into the unit. The first file in the root folder will be played.
- Press EJECT button to eject the disc from the slot. If the disc is not removed from the slot within several seconds, it will be automatically loaded into the slot again. When the disc is ejected and removed, the unit will automatically switch to another mode.

Inserting an SD/MMC card/USB device

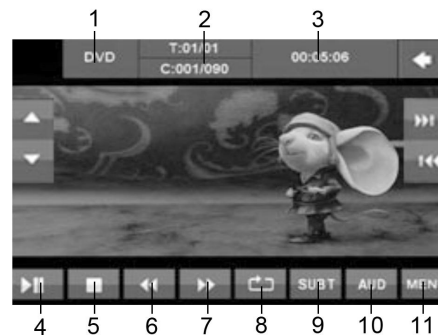
Detach the front panel. Insert an SD/MMC memory card into the card slot. Attach the front panel. Open the USB slot cover on the front panel and insert a USB into the USB slot. Then the playing mode will be changed into Card or USB mode automatically. The first card/USB device track playback will start.

Note: When SD/MMC card and USB device are both inserted, the playing mode will be changed into the mode of the device inserted later.

DVD touch interface

When a DVD is played, touch the center of the screen; the screen will show following interface:

1. Disc type
2. Current playback title/chapter/track number
3. Current playback time
4. PLAY/PAUSE button. Touch to start, pause or resume playback.
5. STOP button. Touch to stop playback
6. ◀◀ button. Touch repeatedly to change rewind speed.
7. ▶▶ button. Touch repeatedly to change fast forward speed.
8. REPEAT button. Touch repeatedly to select repeat playback mode.



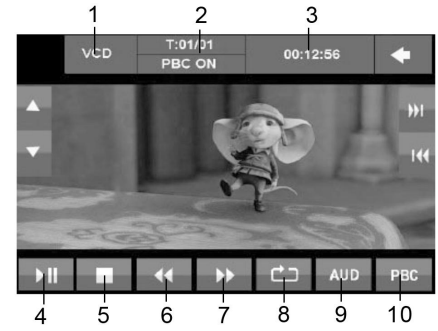
- 9. SUBT button. Touch to select disc subtitle language.
- 10. AUD button. Touch to select disc audio language.
- 11. MENU button. Touch to go to the disc root menu.

You can also touch ▲ and ▼ icons to adjust the monitor tilt and ⏮ and ⏭ icons to select previous or next title.

VCD touch interface

When a VCD is played, touch the center of the screen; the screen will show following interface:

- 1. Disc type
- 2. Current playback title/chapter/track number and PBC status
- 3. Current playback time
- 4. PLAY/PAUSE button. Touch to start, pause or resume playback.
- 5. STOP button. Touch to stop playback
- 6. ⏮ button. Touch repeatedly to change rewind speed.
- 7. ⏭ button. Touch repeatedly to change fast forward speed.
- 8. REPEAT button. Touch repeatedly to select repeat playback mode.
- 9. AUD button. Touch to select audio channel.
- 10. PBC button. Touch to switch BPC function on or off.

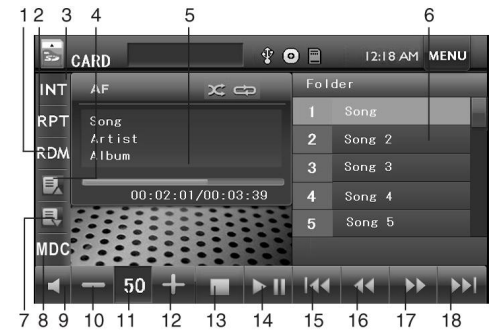


You can also touch ▲ and ▼ icons to adjust the monitor tilt and ⏮ and ⏭ icons to select previous or next title.

MP3/DivX/JPEG disc touch interface

When a file disc, USB or a memory card is played, touch the center of the screen; the screen will show following interface:

- 1. RDM button. Touch for random playback.
- 2. RPT button. Touch to select repeat playback modes.
- 3. INT button. Touch for intro playback.
- 4. Touch the button to go to the previous file list page.
- 5. ID3-tag window.
- 6. File list. Touch the needed file to start its playback.



7. Touch to go to the next file list page.
8. MDC button. Touch to go to folder selection.
9. Mute button; touch to switch sound on/off.
10. Volume down button. Touch to decrease volume.
11. Volume level.
12. Volume up button. Touch to increase volume.
13. STOP button. Touch to stop playback.
14. PLAY/PAUSE button. Touch to pause or resume playback.
15. ⏮ button. Touch to go to the previous file/track.
16. ⏪ button. Touch the button repeatedly to select track rewind speed.
17. ⏩ button. Touch the button repeatedly to select track fast-forward speed.
18. ⏭ button. Touch the button to go to the next file/track.

Use cursor buttons to navigate in the interface and press ENTER button to confirm your selection.

Note: Manufacturer guarantees regular playback of licensed discs only. Some AVI files cannot be played due to their parameters and recording conditions.

Play/pause

The unit will automatically play from the first sound track recorded on a disc/SD/MMC/USB device. To ensure good system performance, wait until the unit finishes reading the disc/device information before proceeding. Press PLAY/PAUSE button on the RC or on the panel to pause playback, press it again to resume playback.

Stop playback

During playback of a disc/USB/SD/MMC card, press STOP/PBC button on the RC to stop the playback. Press PLAY/PAUSE button on the RC or on the panel to start playback again. Playback will resume from the point it was stopped at. If you press STOP/PBC button on the RC twice, playback will stop completely and can be resumed only from the beginning of the disc.

Selecting tracks

During playback press SEEK-/PREVIOUS button on the RC or PREVIOUS button on the panel or on the screen to play the previous track. Press SEEK+/NEXT button on the RC or NEXT button on the panel or on the screen to play the next track. Press number buttons (0-9) on the RC to select the desired track/chapter number in 0001 format.

Fast forward/rewind

Press and hold repeatedly SEEK-/PREVIOUS or SEEK+/NEXT buttons on the RC or PREVIOUS or NEXT buttons on the panel or corresponding buttons on the screen for fast backward or forward playing correspondingly.

With each pressing playback speed will increase. While fast playback, press PLAY/PAUSE button on the RC or on the panel to resume normal speed.

Note: When fast backward/forward playback reaches the previous or next track, the unit will resume normal playback.

A-B segment repeat

Press A-B/ZOOM button to set point A, press one more time to set point B and start A-B repeating. Press this button one more time to cancel the repeating function.

Repeat playback

Press P.SCAN/RPT button repeatedly for repeat playing in different modes: track/chapter repeat, folder repeat, disc repeat, repeat cancel (depending on the format used).

Intro playback

Press INT button on the RC to activate introduction function. Several initial seconds of each track will be played. Press the button again to cancel intro playback.

GOTO

Press and hold AUDIO/GOTO button to show the playback parameters for the current chapter/track/time (track/title/chapter number or time). Press cursor buttons to navigate between the parameters and use number buttons to input needed settings. Press ENTER button on the RC to start playback from the set number or time.

Random playback

Press BND/RDM button on the RC to activate random playing mode. Press one more time to return to normal playing.

OSD setting (for DVD)

When video is played, press and hold OSD button to access the on-screen menu in which you can adjust color parameters (brightness, contrast etc.) of the image by touching corresponding item.

Zooming in/out

During playback of video or images on disc/USB/SD/MMC, press and hold repeatedly A-B/ZOOM button on the RC, the picture will be zoomed in the sequence: Zoom2 => Zoom3 => Zoom4 => Zoom1/2 => Zoom1/3 => Zoom1/4 => Normal.

PBC (Playback Control) (for VCD only)

This function is only available for the VCD with PBC function.

Press and hold STOP/PBC button on the RC to set PBC on/off. If the menu consists of a list of titles, you can select a desired one using number buttons on the RC.

Changing angle (for DVD only)

Press ANGLE button on the RC to playback images at different camera angles. If a disc doesn't support multi-angle playback, this function will not work.

Selecting audio language (for DVD only)

During DVD playback, press AUDIO/GOTO button on the RC repeatedly to select the audio language to listen. This function will not work if a disc does not support multi-language audio.

Selecting subtitle language (for DVD)

If your DVD disc supports multi-language subtitle, press SUB-T button on the RC repeatedly to switch among disc-supported languages.

Selecting sound channel (for VCD only)

During VCD disc playback press AUDIO/GOTO button on the RC to select the channel: Mono L => Mono R => Stereo.

Menu navigation (for DVD only)

Press and hold MENU button on the RC to activate the disc menu list on the screen. Choose the desired item. Press ENTER button or PLAY/PAUSE button on the RC or on the panel or touch corresponding button on the screen to confirm the selected item and start playing.

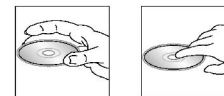
Note: Title and menu are only available if the disc has these functions.

ID3 Tag function

If a MP3 file has ID3 tag information in the supported ID3 format, such information will be displayed on the LCD while playback.

Handling compact discs

- Do not insert anything other than a CD into the CD loading slot.
- Do not use cracked, chipped, warped, or otherwise damaged discs as they may cause skipping or noise damage the player.
- Handle the disc only by the edges (as shown in the picture). To keep discs clean do not touch its surface.
- Store discs in their cases when not in use.
- Do not expose discs to direct sunlight, high humidity, high temperature or dust.
- Prolonged exposure to extreme temperature (such as leaving the discs in your car during summertime) can warp a disc.
- Do not attach labels, write on or apply chemicals to the surface of the discs.
- Do not touch the recorded surface of the discs.
- Use 12-cm CDs. Use only conventional, fully circular discs. Do not use shaped discs.



Cleaning

Cleaning the cabinet

Wipe with a soft cloth. If the cabinet is very dampen (not dropping wet) the cloth with a weak solution of soapy water, and then wipe clean.



Cleaning discs

Fingerprints should be carefully wiped from the surface of disc with a soft cloth. Unlike conventional records, compact discs have no grooves to collect dust and macroscopic dirt, so gently wiping them with a soft cloth should remove most particles. Wipe in a straight motion from the center to the edge. Never use thinner benzene, record cleaner or anti static spray on a compact disc. Such chemicals can damage its plastic surface.

Troubleshooting guide

Below is a table describing simple measures that can help you eliminate most problems likely to emerge when this unit is in use. If below measures do not help, turn to a service center or to the nearest dealer.

| Symptom | Cause | Solution |
|----------------------------------|-------------------------------------------------|--------------------------------------------------------------------------------------------------|
| No power | The car ignition is not on. | If the power supply is properly connected to the car accessory switch the ignition key to "ACC". |
| | The fuse is blown. | Replace the fuse. |
| No sound | Volume is in minimum. | Adjust volume to a desired level. |
| | Wiring is not properly connected. | Check wiring connection. |
| Bad sound quality | The installation angle is more than 30 degrees. | Adjust the installation angle to less than 30 degrees. |
| | The disc is extremely dirty or defective. | Clean the compact disc/try to play a new one. |
| Disc cannot be loaded or ejected | The unit already contains a disc. | Remove the disc in the player then put a new one. |
| | Moisture condensation. | Leave the unit idle for an hour, then retry. |
| Disc cannot be read | The disc is inserted upside down. | Insert the compact disc with the label side facing upward. |
| | Compact disc is extremely dirty or defective. | Clean the disc or try to play a new one. |

| | | |
|--------------------------------------------------|-------------------------------------------------------|-----------------------------------------------------------|
| | Temperature inside the car is too high. | Cool off until the ambient temperature returns to normal. |
| Buttons do not work | The built-in microcomputer is not operating properly. | Reset the unit with the help of RESET button. |
| | Front panel is not properly fix into its place. | Install the front panel properly. |
| The radio does not work | The antenna cable is not connected. | Insert the antenna cable properly. |
| The radio station automatic tuning does not work | The signals are too weak. | Select stations manually. |

Specification

General

| | |
|---------------------------|-------------------|
| Nominal power supply: | 13.5 – 14.4 V DC |
| Maximum power output: | 4 x 50 W |
| Unit dimensions | 165 x 50 x 178 mm |
| Net/Gross weight | 2.5 kg/3.5 kg |
| Mounting angle | 0 to +/-30° |
| Working temperature range | -20°C - +60°C |

Display

| | |
|-----------------|-----------------------|
| Display | Motorized 7" TFT |
| Resolution: | 480 (RGB) x 234 |
| Aspect ratio: | 16:9 |
| Contrast ratio: | 500:1 |
| Brightness: | 200 cd/m ² |
| View angle: | 120° |

FM Stereo Radio

| | |
|-------------------------|------------------------------|
| Frequency range: | 65.0 – 74.0/87.5 – 108.0 MHz |
| Preset memory stations: | 18 |

MW Radio

| | |
|-------------------------|--------------------|
| Frequency range: | 522 kHz - 1620 kHz |
| Preset memory stations: | 12 |

TV Tuner

| | |
|---------------|--------------------|
| Color System: | PAL/SECAM |
| Tuning Range: | 48.25 – 863.25 MHz |

Disc player

| | |
|----------------------|-------------------------------------------------------------------|
| ESP function: | 8 sec. for DVD, 40 sec. for Audio-CD, 120 sec. for MP3 |
| Compatible storages: | DVD/DVD±R/±RW, CD-R/-RW, USB/SD/MMC |
| Compatible formats: | DVD-video/DVD-audio/SVCD/VCD/HDCD/MP3/CDDA/JPEG/MPEG4 (DivX/XviD) |

Specifications are subject to change without notice. Dimensions are approximate.

Уважаемый покупатель!

Благодарим Вас за покупку нашего изделия. Для обеспечения безопасности рекомендуется тщательно изучить настоящее руководство перед подключением, эксплуатацией и/или регулировкой изделия, и сохраняйте руководство для использования в будущем.

Содержание

| | |
|----------------------------------------------------|----|
| СОДЕРЖАНИЕ..... | 35 |
| МЕРЫ ПРЕДОСТОРОЖНОСТИ..... | 36 |
| КОМПЛЕКТ ПОСТАВКИ..... | 38 |
| УСТАНОВКА/ПОДКЛЮЧЕНИЕ..... | 39 |
| ЭЛЕМЕНТЫ УПРАВЛЕНИЯ..... | 44 |
| СИМВОЛЫ ЖК-ДИСПЛЕЯ | 48 |
| ОБЩИЕ ОПЕРАЦИИ | 49 |
| НАСТРОЙКА СИСТЕМЫ..... | 52 |
| ОПЕРАЦИИ С РАДИО..... | 56 |
| ОПЕРАЦИИ С ТВ-ТЮНЕРОМ..... | 59 |
| ОПЕРАЦИИ С ДИСКАМИ/USB/КАРТАМИ ПАМЯТИ SD/MMC | 60 |
| ОБРАЩЕНИЕ С КОМПАКТ-ДИСКАМИ..... | 67 |
| ЧИСТКА И УХОД..... | 67 |
| РУКОВОДСТВО ПО УСТРАНЕНИЮ НЕИСПРАВНОСТЕЙ..... | 68 |
| ТЕХНИЧЕСКИЕ ХАРАКТЕРИСТИКИ..... | 69 |

Меры предосторожности

- Внимательно изучите данное руководство, чтобы ознакомиться с устройством.
- Держите данное руководство под рукой в качестве справочника по правилам эксплуатации и мерам предосторожности. Не допускайте к использованию устройства посторонних лиц, не ознакомившихся и не усвоивших данные инструкции по эксплуатации.
- **ЛАЗЕРНЫЙ ПРОДУКТ КЛАССА 1**
Данное устройство оснащено лазерным диодом класса выше 1. Лазерные лучи, исходящие из блока оптической головки считывания информации с компакт-диска, опасны для глаз. В целях обеспечения полной безопасности не снимайте какие-либо крышки и не пытайтесь проникнуть внутрь устройства. Ремонт должен выполняться только квалифицированным специалистом.
- Не допускайте попадания жидкости на устройство. Это может повлечь поражение электрическим током. Кроме того, попадание жидкости или пыли в устройство может стать причиной его выхода из строя, перегрева и появления дыма. Оберегайте устройство от воздействия влаги.
- Убедитесь, что внутрь устройства не попали посторонние предметы. Они могут вызвать сбои в работе или стать причиной возгорания или поражения лазерным лучом.
- Началом эксплуатации устройства считается момент его установки в автомобиль. Перед началом использования устройства в зимний период рекомендуется прогреть салон автомобиля в течение 20 минут или до достижения эксплуатационного диапазона температуры устройства.
- Использование устройства при температуре, выходящей за рамки эксплуатационного диапазона температур, значительно снижает ресурс работы экрана и других компонентов устройства и может привести к выходу устройства из строя.
- При установке и подключении устройства отключите отрицательную клемму аккумулятора автомобиля.
- Устройство разработано таким образом, чтобы отрицательный вывод аккумулятора был подключен к корпусу транспортного средства. Пожалуйста, убедитесь в этом перед установкой.
- При замене предохранителя, убедитесь, что вы устанавливаете предохранитель с тем же номиналом. Используя предохранитель с повышенным значением тока, можно причинить значительные повреждения устройству.
- Не позволяйте проводам динамиков соприкасаться друг с другом или с корпусом автомобиля после включения устройства. В противном случае усилитель может быть перегружен или выйти из строя.

- Убедитесь, что источник питания и антенна отключены, если Вы не будете пользоваться устройством в течение длительного времени или во время грозы.
- Убедитесь, что источник питания отключен, если обнаружена неправильная работа устройства, устройство издает нехарактерные звуки, запах, выделяет дым или внутрь его попала жидкость. В этих случаях необходим квалифицированный технический осмотр устройства.
- Не устанавливайте уровень громкости, заглушающий внешние звуки дорожной обстановки и сигналы специального автотранспорта.
- При неполадках в работе устройства свяжитесь с торговым представителем или с ближайшим сервисным пунктом.

Комплект поставки

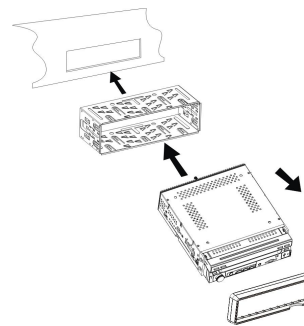
| | |
|------------------------------------|------|
| 1. Ресивер | 1 шт |
| 2. Передняя панель | 1 шт |
| 3. Защитный футляр | 1 шт |
| 4. Пульт дистанционного управления | 1 шт |
| 5. ISO-коннектор | 1 шт |
| 6. Детали для установки: | |
| Шестигранная гайка | 1 шт |
| Ключ-съемник | 2 шт |
| Опорная планка | 1 шт |
| Плоская шайба | 1 шт |
| Винт | 6 шт |
| Резиновая заглушка | 1 шт |
| 7. Информация для потребителя | 1 шт |
| 8. Гарантийный талон | 1 шт |
| 9. Инструкция по эксплуатации | 1 шт |

Установка/Подключение

- Перед окончательной установкой устройства временно подключите все провода и убедитесь, что все соединения выполнены верно, а устройство и система работают правильно.
- Для обеспечения правильной установки устройства используйте только те детали, которые входят в комплект. Использование других приспособлений может привести к появлению сбоев в его работе.
- Если для установки устройства необходимо сверлить отверстия в кузове автомобиля или вносить какие-либо другие изменения в его конструкцию, проконсультируйтесь с продавцом.
- Устанавливайте устройство там, где оно не будет закрывать водителю обзор и отвлекать от дорожной обстановки и не сможет нанести травм пассажирам в случае внезапной остановки автомобиля, например, при экстренном торможении.
- Если при установке устройства угол относительно горизонтальной плоскости превышает 30°, рабочие характеристики проигрывателя могут быть не оптимальны.
- Никогда не устанавливайте устройство в таких местах, где оно будет подвергаться воздействию высокой температуры, например, в местах попадания прямых солнечных лучей, в местах выхода горячего воздуха от отопителя автомобиля, в местах, где очень грязно или пыльно, или там, где устройство будет подвергаться сильной вибрации.
- Перед установкой устройства обязательно снимите переднюю панель.

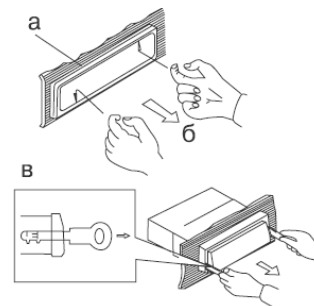
Установка в приборную панель

1. Установите монтажный кожух в приборную панель автомобиля, убедитесь, что он установлен правильной стороной и нет препятствий (провода, элементы приборной панели) для установки магнитолы.
2. После установки монтажного кожуха в приборную панель отогните на нем металлические язычки, соответствующие толщине приборной панели. Это позволит закрепить кожух на месте.
3. Подключите необходимые провода и разъемы. Убедитесь в правильности подключения.
4. Снимите декоративную рамку с магнитолы. Установите магнитолу в монтажный кожух до фиксации боковых защелок. Установите декоративную рамку на корпус магнитолы.



Снятие устройства

Отключите устройство. Отсоедините переднюю панель. Снимите декоративную рамку, поместив плоские предметы (напр., нерабочую сторону ключа-съемника) между корпусом устройства и рамкой с левого и правого торца корпуса и используя эти предметы в качестве рычага при снятии рамки. Затем вставьте до упора ключи-съемники в специальные отверстия между корпусом и монтажным кожухом (ключи следует вставлять углублениями вовне). Аккуратно извлеките устройство. Отсоедините антенну и провода.



Операции со съемной панелью

Наденьте крепежное отверстие правой стороны панели на крепление в правой стороне корпуса. Нажмите на левую часть панели до щелчка. Убедитесь в том, что панель плотно закреплена в корпусе, иначе на дисплее могут отобразиться символы ошибок или некоторые кнопки не будут функционировать.

Для отсоединения передней панели нажмите кнопку REL, затем извлеките правую сторону панели из крепления ресивера. Потяните панель на себя.

Система против кражи

Если устройство не используется, переднюю панель можно отсоединить и поместить в защитный футляр, входящий в комплект поставки. Панель в футляре можно взять с собой, когда Вы покидаете автомобиль. Это позволяет избежать кражи панели.

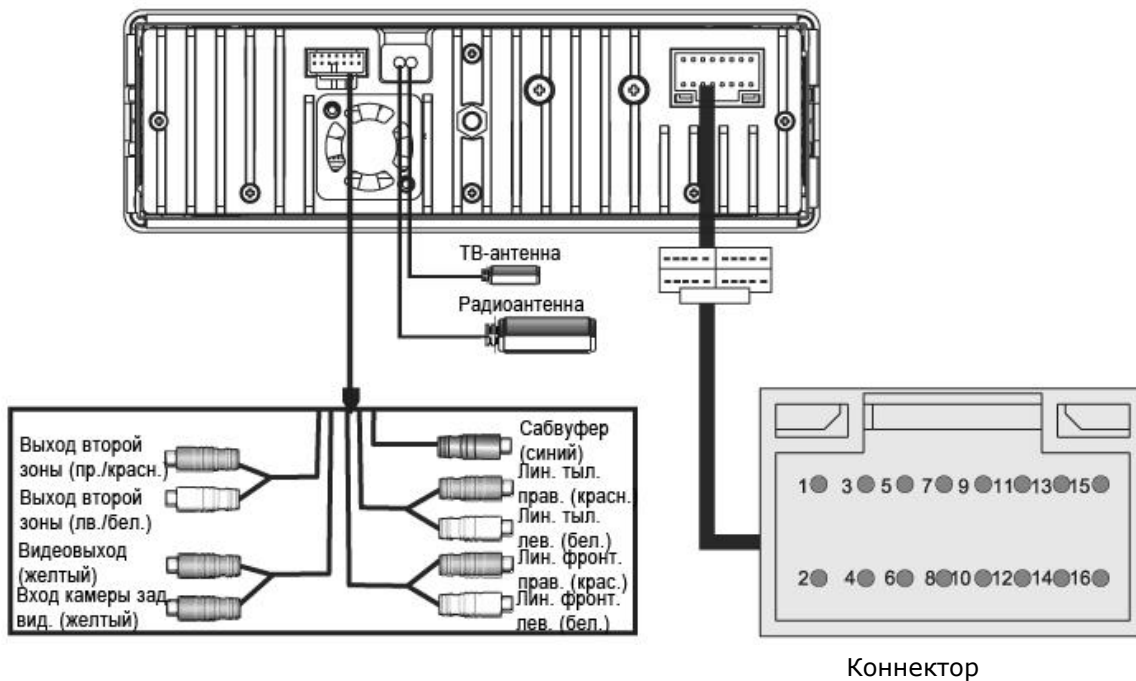
Отключите питание устройства. Снимите переднюю панель и поместите ее в предохранительный футляр.

Внимание: Панель может повредиться из-за внешних факторов: тряски, ударов. После снятия ее с устройства держите панель в защитном футляре и старайтесь не ронять и не наносить физических повреждений.

Очень важным элементом является коннектор на задней части панели. Не нажимайте на него ногтями, ручками, отвертками.

Примечание: Если панель загрязнилась или запылилась, протрите ее сухой чистой тканью. Для чистки разъема в задней части панели используйте тампон, смоченный изопропиловым спиртом.

Схема подключения



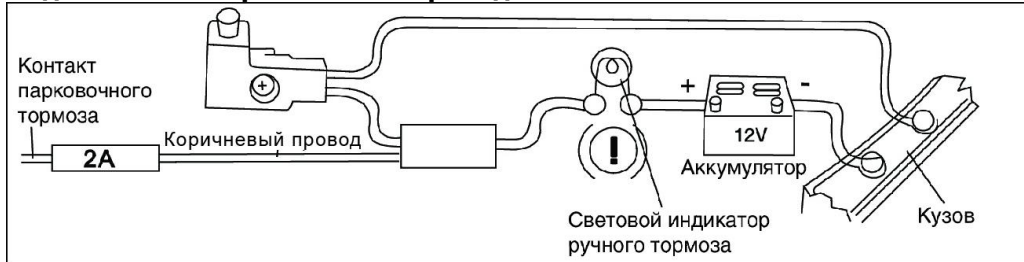
Провода коннектора

1. -
2. Задний левый динамик - (зеленый/черный)
3. Провод заднего хода (розовый)
4. Задний левый динамик + (зеленый)

5. Парковочный провод (коричневый)
6. Передний левый динамик - (белый/черный)
7. -
8. Передний левый динамик + (белый)
9. Зажигание (красный)/Предохранитель 1 А
10. Передний правый динамик + (серый)
11. Питание антенны (синий)
12. Передний правый динамик - (серый/черный)
13. Заземление (черный)
14. Задний правый динамик + (фиолетовый)
15. Питание 12 В (желтый)/Предохранитель 10 А
16. Задний правый динамик - (фиолетовый/черный)

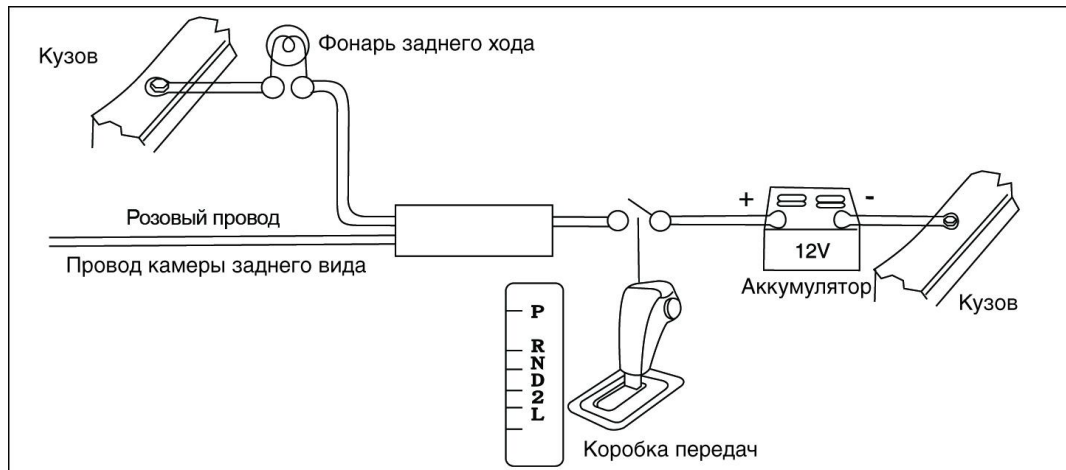
Провод питания антенны предназначен для подачи питания на антенну и для удаленного управления дополнительным усилителем.

Подключение парковочного провода



Если парковочный провод подсоединен к ручному тормозу, наличие видеобразия на дисплее будет зависеть от движения автомобиля. Когда автомобиль движется вперед, при воспроизведении видео на дисплее отобразится предупредительная надпись, картинка будет отсутствовать; это позволит водителю не отвлекаться от управления автомобилем.

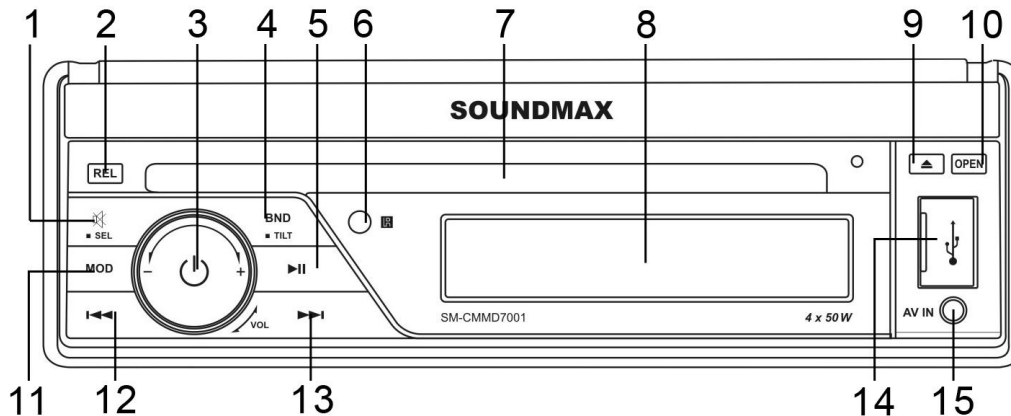
Подключение провода фонаря заднего хода (для работы камеры заднего вида)



Если подключена камера заднего вида, при движении автомобиля задним ходом устройство автоматически переключится в режим камеры заднего вида. При окончании движения задним ходом устройство вернется в исходный режим.

Элементы управления

Передняя панель

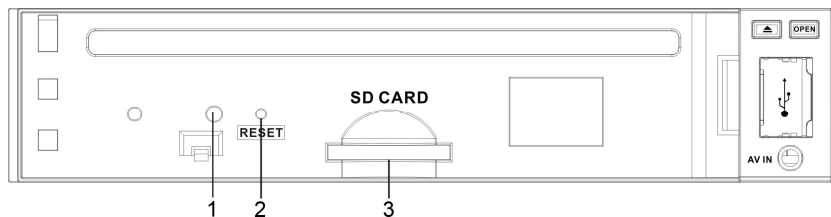


1. Кнопка MUTE/SEL
2. Кнопка REL
3. Кнопка POWER/регулятор VOL
4. Кнопка BND/TILT
5. Кнопка PLAY/PAUSE
6. ИК-датчик
7. Слот для дисков
8. ЖК-дисплей

9. Кнопка EJECT
10. Кнопка OPEN
11. Кнопка MOD
12. Кнопка PREVIOUS
13. Кнопка NEXT
14. USB-порт
15. Аудио/видеовход AV

Внутренняя панель

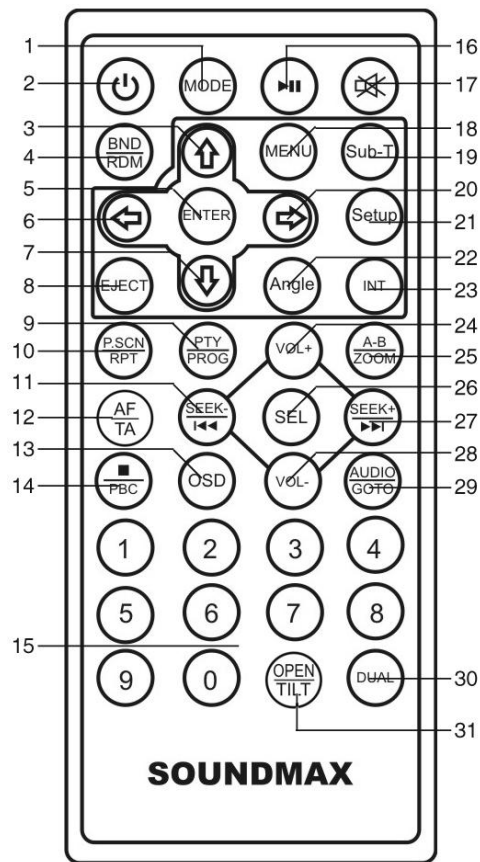
1. Индикатор состояния панели
2. Кнопка (отверстие) RESET
3. Слот для карт памяти SD/MMC



При нажатии кнопки RESET все выполненные установки будут удалены из памяти устройства. Индикатор состояния панели загорается, когда панель опущена, и мигает при снятии панели.

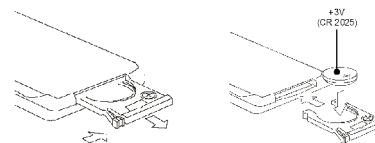
Пульт дистанционного управления (ПДУ)

1. Кнопка MODE
2. Кнопка POWER
3. Кнопка курсора ВВЕРХ
4. Кнопка BND/RDM
5. Кнопка ENTER
6. Кнопка курсора ВЛЕВО
7. Кнопка курсора ВНИЗ
8. Кнопка EJECT
9. Кнопка PTY/PROG
10. Кнопка P.SCN/RPT
11. Кнопка SEEK-/PREVIOUS
12. Кнопка AF/TA
13. Кнопка OSD
14. Кнопка PBC
15. Кнопки с цифрами
16. Кнопка PLAY/PAUSE
17. Кнопка MUTE
18. Кнопка MENU
19. Кнопка SUB-T
20. Кнопка курсора ВПРАВО
21. Кнопка SETUP
22. Кнопка ANGLE
23. Кнопка INT
24. Кнопка VOL+
25. Кнопка A-B/ZOOM
26. Кнопка SEL
27. Кнопка SEEK+/NEXT
28. Кнопка VOL-
29. Кнопка AUDIO/GOTO
30. Кнопка DUAL
31. Кнопка OPEN/TILT



Замена батарей

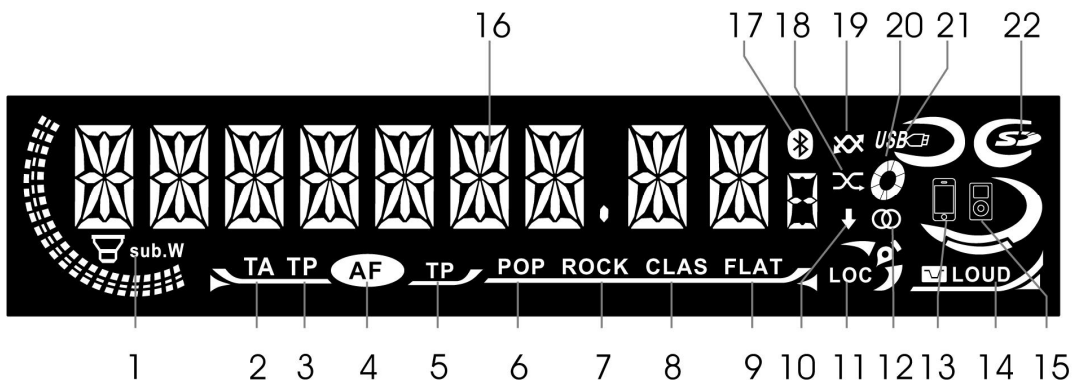
1. Откройте отсек для батарей в направлении, указанном стрелкой.
2. Замените старую батарею на новую (CR 2025 3V), соблюдая полярность. Установите отсек для батарей в корпус пульта.



Примечание:

- Не позволяйте детям играть с батареями.
- Неправильное использование батарей может стать причиной перегрева и разрушения корпуса, что в свою очередь ведет к пожару.
- Утечка батарей может сделать причиной повреждения пульта управления (Срок работы батарей – 6 месяцев при эксплуатации в обычных условиях при комнатной температуре).
- Не закорачивайте батареи. Не бросайте батареи в огонь.
- При использовании ПДУ направляйте его на инфракрасный сенсор передней панели устройства.

Символы ЖК-дисплея



- | | |
|-----------------------------------------|------------------------------------------------------|
| 1. Индикатор сабвуфера | 12. Индикатор стерео приема сигнала |
| 2. Индикатор функции TA | 13. Не активен для данной модели |
| 3. Индикатор функции TP | 14. Индикатор тонкомпенсации |
| 4. Индикатор функции AF | 15. Не активен для данной модели |
| 5. Индикатор функции TP | 16. Цифровой дисплей (радиочастота, номер/имя трека) |
| 6. Режим эквалайзера POP | 17. Не активен для данной модели |
| 7. Режим эквалайзера ROCK | 18. Индикатор случайного воспроизведения |
| 8. Режим эквалайзера CLASS | 19. Индикатор повторного воспроизведения |
| 9. Режим эквалайзера FLAT | 20. Индикатор воспроизведения диска |
| 10. Индикатор обзорного воспроизведения | 21. Индикатор воспроизведения диска USB |
| 11. Индикатор приема местных станций | 22. Индикатор воспроизведения карты памяти |

Общие операции

Сенсорный дисплей

Данное устройство оснащено сенсорным дисплеем, позволяющим выполнять многие операции путем прикосновения к сенсорным кнопкам дисплея.

Включение/выключение устройства

Нажмите любую кнопку (кроме кнопок REL и EJECT), чтобы включить питание устройства. Нажмите кнопку POWER на ПДУ или на панели для отключения питания устройства.

Открытие монитора

Нажмите кнопку OPEN на панели или кнопку OPEN/TILT на ПДУ, чтобы открыть монитор. Нажмите эту кнопку еще раз для возврата монитора в исходное положение. Не допускайте препятствования свободному открытию/закрытию монитора и не пытайтесь закрыть или открыть его вручную.

Регулирование громкости

Для регулирования уровня громкости нажимайте кнопки VOL+/VOL- на ПДУ или вращайте регулятор VOL на передней панели.

Регулировка параметров звука

Нажмите кнопку SEL на ПДУ или нажмите и удерживайте кнопку SEL/MUTE на панели, чтобы войти в меню настройки параметров звука, состоящее из следующих параметров: Equalizer (эквалайзер), Bass (низкие частоты), Treble (высокие частоты), Balance (баланс между правым и левым каналами) и Fader (баланс между тыловыми и фронтальными динамиками). Выберите и отрегулируйте нужный параметр, нажимая кнопки курсора на ПДУ или соответствующие сенсорные кнопки на дисплее.

Отключение звука

Нажмите кнопку MUTE на ПДУ или кнопку SEL/MUTE на панели для отключения звука. Для включения звука повторно нажмите эту кнопку или регулируйте громкость.

Выбор режима работы

- Нажимайте кнопку MODE на ПДУ или кнопку MOD на панели для выбора режима работы устройства: Radio (радио) => Disc (диск) => USB => CARD (карта памяти) => TV (ТВ-тюнер) => AV-in.
- В любом режиме нажмите на сенсорную кнопку MENU в правом верхнем углу дисплея или кнопку MENU на ПДУ для перехода в Основное меню, изображенное на рисунке. В Основном меню нажмите на сенсорную кнопку нужного режима.



Примечание: Режимы Диск, USB и карта памяти доступны, только когда диск, карта памяти или USB-накопитель установлен в устройство.

Угол наклона монитора

Вы можете отрегулировать угол наклона монитора. Нажимайте и удерживайте кнопку OPEN/TILT на ПДУ или кнопку BND/TILT на панели для отклонения монитора вперед и назад. Не пытайтесь наклонять монитор вручную, иначе Вы можете повредить устройство.

Аудио-видеовход

Аудио-видеовход на передней панели предназначен для получения аудио- и видеосигнала с внешнего устройства, подключенного к данному ресиверу.

Сабвуфер

Подсоедините сабвуфер к соответствующему выходному разъему на задней панели устройства. Для работы сабвуфера требуется внешний усилитель.

Функция двузонового режима

DUAL - функция двузонового режима, дающая возможность одновременного прослушивания радио или просмотра ТВ в первой зоне и воспроизведения с диска, USB или карты памяти во второй зоне.

Для просмотра во второй зоне необходим дополнительный монитор с собственной акустической системой и возможностью регулирования громкости.

Нажмите и удерживайте кнопку POWER на панели или нажмите кнопку DUAL на ПДУ для выбора C-DUAL или D-DUAL.

- Двухзонный режим для режимов Радио/ТВ

C-Dual: Когда выбрана опция C-Dual, все кнопки работают как положено, за исключением кнопок MUTE (MUTE/SEL), MODE (MOD) и VOL (регулятор VOL). Кнопка MUTE или кнопки VOL+/- на ПДУ (или кнопка MUTE/SEL и регулятор VOL на панели) регулируют звук устройства (но не регулируют звук внешнего монитора). При нажатии кнопки MODE на ПДУ или кнопки MOD на панели происходит переключение режимов работы устройства, но внешний монитор показывает изображение только режимов диск/USB/карта памяти.

D-Dual: Когда выбрана опция D-Dual, все кнопки работают как положено, за исключением кнопок VOL+/- на ПДУ или регулятора VOL на панели (они регулируют громкость внешнего монитора), а также кнопок MUTE (MUTE/SEL), MODE (MOD). Кнопка MUTE на ПДУ или кнопка MUTE/SEL на панели отключают звук внешнего монитора (но не отключают звук магнитолы). При нажатии кнопки MODE на ПДУ или кнопки MOD на панели переключают режимы Диск/USB/Карта памяти для внешнего монитора, но текущий режим работы магнитолы не изменяется.

- Двухзонный режим для режимов Диск/USB/Карта памяти

C-Dual: Когда выбрана опция C-Dual, все кнопки работают как положено, за исключением кнопок MUTE (MUTE/SEL), MODE (MOD) и VOL (регулятор VOL). Кнопка MUTE или кнопки VOL+/- на ПДУ (или кнопка MUTE/SEL и регулятор VOL на панели) регулируют звук устройства (но не регулируют звук внешнего монитора). При нажатии кнопки MODE на ПДУ или кнопки MOD на панели происходит переключение режимов работы устройства, но внешний монитор показывает изображение только режимов диск/USB/карта памяти.

D-Dual: Когда выбрана опция D-Dual, все кнопки работают как положено, за исключением кнопок VOL+/- на ПДУ или регулятора VOL на панели (они регулируют громкость внешнего монитора), а также кнопок MUTE (MUTE/SEL), MODE (MOD). Кнопка MUTE на ПДУ или кнопка MUTE/SEL на панели отключают звук внешнего монитора (но не отключают звук магнитолы). При нажатии кнопки MODE на ПДУ или кнопки MOD на панели переключают режимы Диск/USB/Карта памяти для внешнего монитора и для магнитолы.

Настройка системы

При выборе режима SETTINGS или при нажатии кнопки SETUP на ПДУ на дисплее отобразится сенсорное меню, нажимая на кнопки которого Вы можете выбирать параметры и выполнять их настройку.

Навигацию по меню и настройку параметров также можно осуществлять нажатием кнопок курсора на ПДУ, а подтверждение выбора - нажатием кнопки ENTER на ПДУ.

Страница настроек звука (Sound)

- EQ (эквалайзер): Выберите режимы эквалайзера Flat, Classic, Pop, Rock или User (пользовательский).
- Bass (низкие частоты): Настройте уровень низких частот.
- Treble (высокие частоты): Настройте уровень высоких частот.
- Balance (баланс): Настройте баланс между правым и левым каналами.
- Fader (фейдер): Настройте баланс между фронтальным и тыловым каналами.
- Beep (звуковой сигнал нажатия кнопок): Выберите ALL (любое нажатие кнопки сопровождается звуковым сигналом), 2ND (нажатие и удержание кнопки сопровождается звуковым сигналом) или OFF (без звукового сигнала).
- Loud (тонкомпенсация): Выберите ON ("вкл") для усиления низких частот.
- Subwoofer (сабвуфер): включите или отключите сабвуфер.

Страница настроек дисплея (Display)

- Screen (экран): Выберите формат экрана 16:9, 4:3 или FULL ("полный").
- Backlight (подсветка): Выберите уровень подсветки экрана LOW ("низкий"), MID ("средний") или HIGH ("высокий").


Страница настроек RDS и радио (RDS and Radio)

- Area: Выберите регион вещания: Европа, США, Южная Америка или Россия.
- Stereo: Выберите ON (стереорежим приема сигнала) или OFF (режим моно). Если принимаемый сигнал слабый, активируйте режим моно для улучшения качества приема сигнала.
- Local: Выберите ON (прием только местных радиостанций) или OFF (прием как местных, так и удаленных радиостанций). Данная функция доступна только в режиме FM.

- TA volume: Установите уровень громкости сообщений о дорожных движениях, активный по умолчанию.
- Retune: Retune-S или Retune-L – это выбор временного интервала повторного поиска в режиме TA Seek. Retune S: короткий, интервал поиска в режиме TA SEEK 30 секунд. Retune L: длинный, интервал поиска в режиме TA SEEK 90 секунд.
- PI: PI sound: Если автомобиль перемещается в критической зоне, может появиться эффект частого переключения между двумя разными радиостанциями, потому что может быть принят другой код PI на той же частоте. Когда в описанной выше ситуации произойдет переключение на другую радиостанцию с другим кодом PI, в течение короткого времени будет слышна трансляция данной радиостанции. PI mute: В описанном выше случае на короткое время звучание будет отключено.
- REGION: REG ON (вкл): Во время поиска AF и TA передач приемник будет настраиваться на те станции, PI-код которых совпадает с кодом текущей станции. REG OFF (выкл): PI-код будет игнорироваться и будет возможен прием региональных станций.
- Mask: DPI/ALL. После включения режима AF, программа, которую вы прослушиваете, может быть замещена другой программой, которая вещает на той же частоте, чтобы этого избежать активируйте функцию MASK DPI. Так же программа, которую вы прослушиваете, может быть замещена не только другой программой, которая вещает на той же частоте, но и программой с сильным сигналом, чтобы этого не произошло, активируйте функцию MASK ALL.
- EON TA: DX/Local. EON TA LOCAL (дорожные сообщения местных радиостанций): Если уровень мощности сигнала радиостанции из другой сети вещания меньше определенного порогового уровня, радиоприемник не переключается на эту станцию и пользователь не услышит никаких искажений. EON TA DX (дорожные сообщения удаленных радиостанций): Переключение на радиостанцию из другой сети вещания, которая передает сообщения о дорожном движении (EON TA), осуществляется на основе информации текущей радиостанции.
- TA: Seek/Alarm. В режиме TA SEEK, устройство будет искать станции передающие информацию о дорожном движении; в режиме TA ALARM, поиск не идет, но когда произойдет происшествие или чрезвычайная ситуация на дорогах, то устройство активирует систему передачи этой информации.

Страница общих настроек (General)

- Dual (двузонавый режим): Включение (ON) и отключение (OFF) функции двузонавого режима.

- 
- Key (кнопки): Использование кнопок в режиме CURRENT (кнопки ПДУ будут выполнять операции для текущего режима первой зоны) или DVD (кнопки выполняют функции воспроизведения дисков) Данная настройка доступна только при включенном режиме DUAL.
 - Tilt mode (режим наклона монитора): Выберите режим наклона монитора.
 - Tilt angle (наклон монитора): Выберите угол наклона монитора.
 - Clock display (отображение часов): Включение (ON)/отключение (OFF) отображения часов.
 - Clock hour (режим часов): Выберите 12-или 24-часовой режим отображения времени.
 - Clock setting (настройка часов): При выборе этой опции отобразится сенсорная клавиатура. С ее помощью введите текущее время и нажмите кнопку ОК для подтверждения.

Страница настроек DVD (DVD)

- Меню: Выберите язык экранного меню.
- Субтитры: Выберите язык субтитров для DVD.
- Звук: Выберите язык аудиотрека для DVD.
- Меню диска: Выберите язык меню диска для DVD.
- Пароль: Для того, чтобы воспользоваться функцией «Ограничение», нужно ввести пароль (по умолчанию 0000), затем нажать на кнопку ENTER. Для того, чтобы изменить пароль, зайдите в подменю смены пароля. Сначала введите 0000, затем новый (4 символа). После изменения пароля заводской пароль по умолчанию (0000) не будет функционировать.

Примечание: если Вы забыли собственный пароль, сбросить настройки пароля будет невозможно. Запишите пароль и храните запись в безопасном месте.

- Ограничение: Эта функция предназначена для контроля родителями содержимого дисков при их воспроизведении и защищает Ваших детей от сцен насилия и эротики. Диск, уровень которого выше, чем установленный с помощью данной функции, не будет воспроизведен.
- Формат: Выберите формат 4:3PS: (широкоэкранный образ воспроизводится на всем экране, но часть его обрезается); 4:3LB: (широкоэкранный образ воспроизводится так, что сверху и снизу появляются черные полосы); 16:9: (широкоэкранный образ).
- NTSC/PAL: Выберите систему цветности NTSC или PAL.
- Заводские: Сброс всех настроек до заводских значений.

Страница информации о системе (System info)

В данном меню Вам доступна информация о текущей версии прошивки, а также функция калибровки сенсорного дисплея.

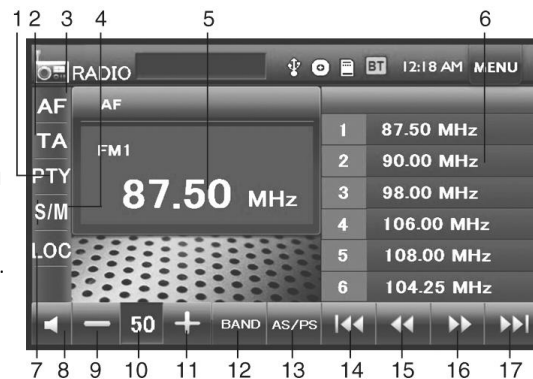
Calibration (калибровка экрана): После выбора данной опции в центре дисплея появится крестик и надпись: "Carefully press and briefly hold stylus on the center of the target longer than 1 second" («Пожалуйста, нажимайте на крестик более 1 секунды по мере его перемещения крестика»). Нажмите на крестик дольше чем на 1 секунду в каждой из позиций, в которые он будет перемещаться после нажатия. После четвертого нажатия калибровка будет выполнена.

Операции с радио

Пользовательский интерфейс режима радио

Когда устройство находится в режиме радио, на дисплее отображается приведенный выше интерфейс, с помощью сенсорных кнопок которого Вы можете выполнять следующие операции:

1. Кнопка PTY. Нажмите для включения/выключения функции PTY. В списке типов программ нажмите на нужную программу для запуска ее поиска.
2. Кнопка TA. Нажмите для включения/выключения функции TA.
3. Кнопка AF. Нажмите для включения/выключения функции AF.
4. Кнопка S/M. Нажмите для включения/отключения стереорежима приема сигнала.
5. Текущий диапазон и частота.
6. Кнопки сохраненных станций. Нажмите, чтобы выбрать сохраненную станцию. Нажмите и удерживайте для сохранения текущей частоты под соответствующей кнопкой.
7. Кнопка LOC. Нажмите для переключения между приемом только местных станций или как местных, так и удаленных станций.
8. Кнопка MUTE; нажмите для отключения или включения звука.
9. Кнопка уменьшения громкости. Нажмите, чтобы уменьшить громкость.
10. Уровень громкости.
11. Кнопка увеличения громкости. Нажмите, чтобы увеличить громкость.
12. Кнопка BAND. Нажимайте для выбора диапазона.
13. Кнопка AS/PS. Нажмите для сканирования всех сохраненных станций в текущем диапазоне. Нажмите и удерживайте для поиска и сохранения 6 доступных станций в текущем диапазоне.
14. Кнопка \lll . Нажмите для автопоиска ближайшей станции вниз по диапазону.
15. Кнопка \ll . Нажимайте для пошагового изменения частоты вниз по диапазону.
16. Кнопка \gg . Нажимайте для пошагового изменения частоты вверх по диапазону.
17. Кнопка \ggg . Нажмите для автопоиска ближайшей станции вверх по диапазону



Переключение диапазонов

Нажимайте кнопку BND/RDM на ПДУ или кнопку BND/TILT на панели для переключения диапазонов в следующем порядке: FM1 - FM2 - FM3 – MW1 (AM2) - MW2 (AM2).

Ручной/автоматический поиск станций

- Ручной поиск каналов: Нажмите и удерживайте кнопку SEEK-/PREVIOUS или SEEK+/NEXT на ПДУ или кнопки PREVIOUS/NEXT на панели для активации режима ручного поиска. Нажимайте эти кнопки для пошагового изменения частоты вниз/вверх по диапазону.
- Автоматический поиск каналов: Нажимайте кнопки SEEK-/PREVIOUS или SEEK+/NEXT на ПДУ или кнопки PREVIOUS/NEXT на панели; устройство выполнит автоматический поиск станций в направлении к низшей или высшей частоте диапазона соответственно и при обнаружении станции начнет ее вещание. Чтобы прервать поиск, нажмите одну из этих кнопок.

Сохранение и вызов радиостанций

На ПДУ есть 6 кнопок с цифрами, с помощью которых Вы можете сохранять и включать радиостанции в каждом диапазоне (18 FM, 12 AM (MW)). Выберите нужную радиостанцию, затем нажмите и удерживайте кнопку с цифрой. Станция будет сохранена в памяти устройства под этой цифрой. Для вызова сохраненной станции нажмите соответствующую кнопку с цифрой.

Автоматическое сохранение/сканирование станций

- Автоматическое сохранение: При нажатии и удержании кнопки P.SCN/RPT на ПДУ автоматически активируется функция автосохранения радиостанций. Устройство автоматически найдет и сохранит 6 станций в 6 позициях памяти в текущем диапазоне. Чтобы прервать автосохранение, нажмите эту кнопку еще раз.

Примечание: При автосохранении устройство будет выполнять поиск станций с самым сильным уровнем сигнала, затем станции с более слабым уровнем до заполнения всех позиций памяти.

- Сканирование: Выберите диапазон, нажмите кнопку P.SCN/RPT на ПДУ; устройство будет в течение нескольких секунд вещать каждую радиостанцию, сохраненную в текущем диапазоне.

Сервис RDS

Сервис RDS (Система радиоданных) доступен не во всех регионах. Имейте в виду, что если услуга RDS не доступна в Вашем регионе, то данная функция не будет работать.

Функция AF (Альтернативные частоты)

Нажмите и удерживайте кнопку AF/TA на ПДУ для активации функции AF. При слабом сигнале функция альтернативных частот позволяет приемнику настраиваться на другие станции с тем же идентификационным кодом, что и текущая станция, но с более сильным сигналом. При этом вместо частоты на дисплее появится название станции.

Примечание: Индикатор AF на дисплее активен, если идет прием данных RDS. Если в Вашем регионе услуги RDS недоступны, отключите режим AF.

Функция TA (Traffic Alarm)

Нажмите кнопку AF/TA на ПДУ для включения (либо отключения) функции TA.

Когда функция TA включена, устройство автоматически начинает поиск станции, передающей информацию TA. Если такая информация не найдена, начнется поиск станций, предоставляющих информацию TP (идентификационные данные радиовещательной станции, передающей информацию о дорожном движении). Если такие станции также не будут найдены, устройство вернется к исходному режиму.

Если принимается станция с информацией TP, но без информации TA, индикатор TP отображается статично, а индикатор TA мигает; при приеме как информации TP, так и TA, оба индикатора отображаются статично.

Если устройство находится в режиме другого источника сигнала, то при поступлении информации о дорожном движении устройство автоматически перейдет в режим радио и начнется трансляция этой информации. По истечении трансляции устройство вернется в исходный режим.

ФункцияPTY (Тип программы)

Нажмите кнопку PTY на ПДУ для активации списка типов программ (PTY), затем нажимайте кнопки курсора или кнопки с цифрами на ПДУ для активации поиска программы соответствующего типа. Также вы можете нажимать на названия типов программ непосредственно на сенсорном экране. Если информация PTY доступна, нажимайте кнопку OSD на ПДУ для отображения такой информации. Для остановки поиска нажмите кнопку еще раз. Если программа выбранного типа не была найдена, поиск остановится.

Операции с ТВ-тюнером

- Подсоедините ТВ-антенну к разъему для ТВ-антенны на устройстве. Выберите режим ТВ.
- Для входа в меню ТВ выберите режим ТВ, затем нажмите кнопку PLAY/PAUSE на ПДУ или на панели; либо нажмите на сенсорный дисплей, затем в появившемся меню нажмите на сенсорную кнопку TV MENU. Для выбора страницы меню (Auto Program или Manual Program) нажимайте кнопки курсора ВВЕРХ/ВНИЗ на ПДУ. Для входа на выбранную страницу нажмите кнопку ENTER на панели или на название страницы на дисплее. Для выбора параметра нажимайте кнопки ВВЕРХ/ВНИЗ на ПДУ; для настройки выбранного параметра нажимайте кнопку ENTER на ПДУ или нажмите на нужный параметр на дисплее. Нажмите на сенсорную кнопку BACK на дисплее или кнопку PLAY/PAUSE на ПДУ или на панели, чтобы вернуться к предыдущей странице меню. При нажатии на сенсорный экран отображается меню, которым вы можете регулировать угол наклона монитора нажатием на сенсорные кнопки ▲ и ▼.

AUTO PROGRAM (автонастройка программ)

- System: выберите ТВ-систему (SECAM/NTSC/PAL).
- Audio: выберите систему звука (DK/BG/I). Для систем PAL и NTSC доступна система звука M/N.
- Search: выберите для запуска автоматического поиска и сохранения каналов

MANUAL PROGRAM (ручная настройка программ)

- Storage: выберите номер, под которым будет сохранен найденный канал.
- System: выберите ТВ-систему (SECAM/NTSC/PAL).
- Audio: выберите систему звука (DK/BG/I). Для систем PAL и NTSC доступна система звука M/N.
- Channel: выберите номер канала.
- Fine: выполните подстройку качества изображения.
- Memory: выберите ON (запомнить выбранный канал) или OFF (не запоминать выбранный канал).

Операции с дисками/USB/картами памяти SD/MMC

Примечания по USB/SD/MMC разъемам

USB: Поддержка формата USB 1.1. Емкость: до 16 Гб. SD/MMC: Для корректной работы устройства используйте лицензионные карты памяти известных производителей. Избегайте использования нелицензионных карт памяти. Емкость: до 16 Гб.

Загрузка/извлечение диска

- Вставьте диск в слот маркированной стороной вверх. Диск автоматически загрузится в устройство. Начнется воспроизведение первого файла на диске или в корневом каталоге.
- Чтобы извлечь диск из устройства, нажмите кнопку EJECT. Если диск не достать из слота в течение нескольких секунд, он будет автоматически загружен обратно в слот. При извлечении диска из слота устройство автоматически переключится в другой режим.

Загрузка карты памяти SD/MMC/USB-накопителя

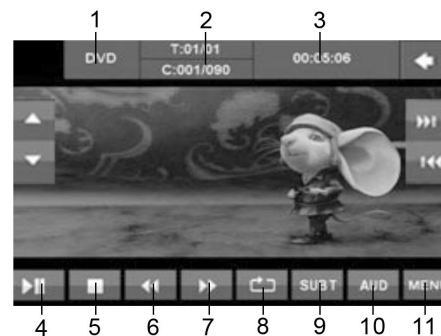
Отсоедините переднюю панель. Вставьте карту памяти SD/MMC в слот для карт памяти. Подсоедините переднюю панель. Откройте заглушку USB-порта на передней панели и вставьте USB-накопитель в порт. Режим работы устройства автоматически переключится на Карту или USB. Начнется воспроизведение первого трека на установленном носителе.

Примечание: Если карта памяти и USB установлены в устройство одновременно, будет активен режим последнего установленного носителя.

Сенсорное управление DVD

После загрузки DVD-диска на дисплее отобразится следующий интерфейс:

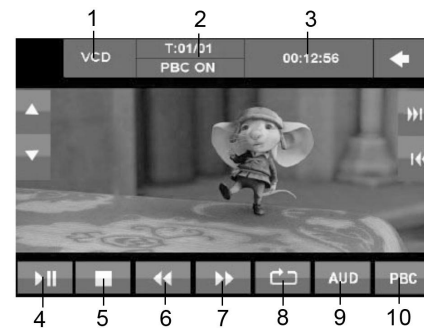
1. Тип диска
 2. Номер текущей главы/трека/раздела
 3. Текущее время воспроизведения
 4. Кнопка PLAY/PAUSE. Нажмите для запуска воспроизведения или паузы.
 5. Кнопка STOP. Нажмите, чтобы остановить воспроизведение
 6. Кнопка ◀. Нажимайте для изменения скорости перемотки назад.
 7. Кнопка ▶. Нажимайте для изменения скорости перемотки вперед.
 8. Кнопка REPEAT. Нажимайте для выбора режима повторного воспроизведения.
 9. Кнопка SUBT. Нажимайте для выбора языка субтитров.
 10. Кнопка AUD. Нажимайте для выбора языка аудиотрека.
 11. Кнопка MENU. Нажмите для перехода к корневому меню диска.
- Также вы можете нажимать сенсорные кнопки ▲ и ▼ для регулировки угла наклона монитора и кнопки ◀ и ▶ для выбора предыдущего или следующего раздела.



Сенсорное управление VCD

После загрузки VCD-диска на дисплее отобразится следующий интерфейс:

1. Тип диска
2. Номер текущей главы/трека/раздела
3. Текущее время воспроизведения
4. Кнопка PLAY/PAUSE. Нажмите для запуска воспроизведения или паузы.
5. Кнопка STOP. Нажмите, чтобы остановить воспроизведение
6. Кнопка ◀. Нажимайте для изменения скорости перемотки назад.
7. Кнопка ▶. Нажимайте для изменения скорости перемотки вперед.



8. Кнопка REPEAT. Нажимайте для выбора режима повторного воспроизведения.

9. Кнопка AUD. Нажимайте для выбора аудиоканала.

10. Кнопка BPC. Нажмите для включения/отключения функции BPC.

Также вы можете нажимать сенсорные кнопки ▲ и ▼ для регулировки угла наклона монитора и кнопки ⏪ и ⏩ для выбора предыдущего или следующего раздела.

Сенсорное управление MP3/DivX/JPEG

После загрузки носителя, содержащего файлы в форматах MP3/DivX/JPEG, на дисплее отобразится следующий интерфейс:

1. Кнопка RDM. Нажмите для произвольного воспроизведения треков.

2. Кнопка RPT. Нажимайте для выбора режима повторного воспроизведения.

3. Кнопка INT. Нажмите для обзорного воспроизведения треков.

4. Нажмите для перехода к предыдущей странице списка файлов.

5. Окно отображения ID3-тегов.

6. Список файлов. Нажмите на нужный файл для его воспроизведения.

7. Нажмите для перехода к следующей странице списка файлов.

8. Кнопка MDC. Нажмите для выбора папки.

9. Кнопка Mute; нажмите для отключения или включения звука.

10. Кнопка уменьшения громкости. Нажмите, чтобы уменьшить громкость.

11. Уровень громкости.

12. Кнопка увеличения громкости. Нажмите, чтобы увеличить громкость.

13. Кнопка STOP. Нажмите для остановки воспроизведения.

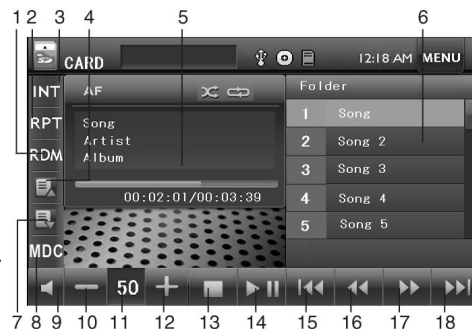
14. Кнопка PLAY/PAUSE. Нажмите для приостановки (паузы) или продолжения воспроизведения.

15. Кнопка ⏪. Нажмите на кнопку для перехода к предыдущему файлу.

16. Кнопка ⏮. Нажимайте кнопку для изменения скорости перемотки назад.

17. Кнопка ⏭. Нажимайте кнопку для изменения скорости перемотки вперед.

18. Кнопка ⏩. Нажмите на кнопку для перехода к следующему файлу.



Вы также можете использовать кнопки курсора на ПДУ для навигации по интерфейсу и кнопку ENTER для подтверждения выбора.

Примечание: Производитель гарантирует нормальное воспроизведение только лицензионных дисков. Воспроизведение некоторых AVI-файлов может оказаться невозможным в зависимости от их конфигурации и параметров, а также условий записи.

Воспроизведение/пауза

Устройство автоматически начнет воспроизведение первого трека, содержащегося на носителе (диск/карта памяти/USB). Для лучшего качества воспроизведения перед выполнением дальнейших операций дождитесь, пока устройство закончит читать установленный носитель. Для приостановки воспроизведения нажмите кнопку PLAY/PAUSE на ПДУ или на панели; нажмите кнопку еще раз для подолжения воспроизведения.

Остановка воспроизведения

При воспроизведении диска/USB/карты памяти нажмите кнопку STOP/PBC на ПДУ для остановки воспроизведения. Нажмите кнопку PLAY/PAUSE на ПДУ или на панели для запуска воспроизведения. Воспроизведение начнется с того места, на котором оно было остановлено. При двукратном нажатии кнопки STOP/PBC воспроизведение остановится и при дальнейшем запуске начнется с первого трека или главы на носителе.

Выбор треков/глав

Во время воспроизведения нажмите кнопку SEEK-/PREVIOUS на ПДУ или кнопку PREVIOUS на панели для перехода к предыдущему треку. Нажмите кнопку SEEK+/NEXT на ПДУ или кнопку NEXT для перехода к следующему треку. Нажмите кнопку с цифрой (0-9) на ПДУ для выбора соответствующего трека/главы в формате 0001.

Перемотка вперед/назад

Нажимайте и удерживайте кнопку SEEK-/PREVIOUS или SEEK+/NEXT на ПДУ или кнопки PREVIOUS/NEXT для перемотки вперед или назад. Для DVD/VCD дисков скорость перемотки будет увеличиваться при каждом нажатии кнопки. Для возврата к воспроизведению с нормальной скоростью нажмите кнопку PLAY/PAUSE на ПДУ или на панели.

Примечание: Если при перемотке Вы достигли следующего или предыдущего трека, он начнет воспроизводиться с нормальной скоростью.

Повтор фрагмента (A-B)

Нажмите кнопку A-B/ZOOM, чтобы установить начальную точку фрагмента для повтора. Нажмите кнопку еще раз, чтобы установить конечную точку фрагмента; начнется повторное воспроизведение выбранного фрагмента. Нажмите эту кнопку еще раз для отмены повтора фрагмента.

Повторное воспроизведение

Нажимайте кнопку P.SCAN/RPT, чтобы выбрать режим повторного воспроизведения. В зависимости от воспроизводимого формата режимы воспроизведения могут меняться (повтор трека/главы, повтор папки, повтор всего диска, отмена повтора).

Обзорное воспроизведение

Нажмите кнопку INT на ПДУ, чтобы начать обзорное воспроизведение. Устройство будет последовательно воспроизводить несколько начальных секунд каждого трека. Нажмите кнопку еще раз, чтобы отменить обзорное воспроизведение.

Случайное воспроизведение

Нажмите кнопку BND/RDM, чтобы начать случайное воспроизведение треков/разделов на диске. Нажмите кнопку еще раз, чтобы отменить случайное воспроизведение.

Настройка изображения (для DVD)

При воспроизведении видео нажмите и удерживайте кнопку OSD для активации сенсорного меню настроек, с помощью которого Вы можете отрегулировать параметры изображения (для этого нажимайте на соответствующие сенсорные кнопки).

Функция PBC (Управление воспроизведением) (для VCD)

Данная функция доступна только для VCD-дисков, поддерживающих PBC.

Нажмите и удерживайте кнопку STOP/PBC на ПДУ, чтобы включить или отключить PBC. На дисплее отобразится меню разделов, в котором Вы можете выбрать нужный раздел с помощью кнопок с цифрами на ПДУ.

Изменение масштаба

Во время воспроизведения видео или файлов с изображениями нажимайте и удерживайте кнопку A-V/ZOOM на ПДУ для увеличения или уменьшения масштаба изображения в следующем порядке: X2 => X3 => X4 => X1/2 => X1/3 => X1/4 => выключение масштабирования.

Воспроизведение по заданным параметрам

Нажмите и удерживайте кнопку AUDIO/GOTO; на экране отобразится меню, в котором Вы можете ввести нужные параметры, такие как номер или время трека/главы/раздела. Используйте кнопки курсора на ПДУ для навигации по меню параметров и кнопки с цифрами для ввода нужных значений. Нажмите кнопку OK на панели или кнопку ENTER на ПДУ, воспроизведение начнется с учетом введенных параметров.

Угол просмотра (для DVD)

Нажмите кнопку ANGLE на ПДУ, чтобы выбрать угол просмотра эпизода. Данная функция доступна только для дисков, содержащих эпизоды, снятые под несколькими углами.

Выбор языка аудио (для DVD)

Нажимайте кнопку AUDIO/GOTO на ПДУ для выбора нужного языка аудио. Данная функция доступна только для дисков, поддерживающих несколько языков аудио.

Выбор языка субтитров (для DVD)

Нажимайте кнопку SUB-T на ПДУ для выбора нужного языка субтитров. Данная функция доступна только для дисков, поддерживающих несколько языков субтитров.

Выбор аудиоканала (для VCD)

Нажимайте кнопку AUDIO/GOTO на ПДУ для выбора нужного аудиоканала: Левый => Правый => Стерео.

Меню разделов (для DVD)

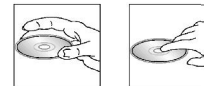
Нажмите и удерживайте кнопку MENU на ПДУ, чтобы войти в меню разделов диска. Выберите нужный пункт меню диска с помощью кнопок курсора на ПДУ. Нажмите кнопку ENTER или кнопку PLAY/PAUSE на ПДУ или кнопку на панели для начала воспроизведения выбранного раздела.

ID3-тэги

Если MP3 файл содержит информацию совместимого формата ID3-tag, эта информация будет отображаться на дисплее.

Обращение с компакт-дисками

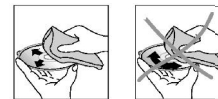
- Грязные, поцарапанные или погнутые диски могут вызвать искажение звука или шумы.
- Держите диск только за края (как показано на рисунке). Чтобы обеспечить чистоту, не прикасайтесь к его поверхности.
- Диски должны храниться в их чехлах после использования, чтобы не поцарапать их поверхность.
- Не подвергайте диски воздействию прямого солнечного света, повышенной влажности, повышенным температурам или пыли.
- Продолжительное влияние предельных температур может изогнуть диск (например, пребывание дисков в автомобиле в летнее время).
- Не царапайте и не пишите что-либо на любой стороне диска. Острые пишущие инструменты или чернила, используемые в них, могут повредить поверхность диска.
- Не прикасайтесь к стороне, не имеющей маркировки.
- Не прикрепляйте какую-либо печать, этикетку или лист предохранения данных к какой-либо стороне диска.
- Данное изделие не может воспроизводить диски размером 3 дюйма (8 см).
- Никогда не используйте диски размером 3 дюйма, установленный в адаптер, или диски нестандартной формы. Изделие не сможет выбросить его, что приведет к сбою.



Чистка и уход

Чистка корпуса

Протирайте мягкой тканью. Если корпус очень загрязнен (не мочите его), используйте ткань, слегка смоченную мыльным раствором, и затем вытрите его сухой тканью.



Чистка дисков

Отпечатки пальцев должны быть тщательно стерты с поверхности диска мягкой тканью. В отличие от обычных пластинок, компакт-диски не имеют канавок для сбора пыли и микроскопических частиц грязи, поэтому осторожно вытирайте их мягкой тканью, чтобы убрать частицы грязи. Вытирайте прямолинейным движением от центра к краю.

Никогда не используйте растворитель, бензин, очиститель пластинок или антистатический аэрозоль для чистки дисков. Такие химические вещества могут повредить его пластиковые поверхности.

Руководство по устранению неисправностей

Ниже приводится таблица, в которой описаны простые проверки, способные помочь Вам устранить большую часть проблем, могущих возникнуть при использовании данного устройства. Если нижеуказанные меры не помогли, обратитесь в сервисный центр или к ближайшему

| Неисправность | Причина | Решение |
|------------------------------------------------------|------------------------------------------------|-----------------------------------------------------------------------------------------------------------------------|
| Нет питания | Зажигание машины не включено. | Если источник питания подключен надлежащим образом к выключателю машины, установите ключ зажигания в положение "ACC". |
| | Сгорел предохранитель. | Замените предохранитель. |
| Нет звука | Уровень громкости звука установлен на минимум. | Отрегулируйте громкость звука до необходимого уровня. |
| | Кабель не подключен надлежащим образом. | Проверьте подключение кабеля. |
| Плохое качество звучания | Угол установки устройства более 30 градусов. | Отрегулируйте угол установки, установив его менее 30 градусов. |
| | Диск загрязнен или имеет дефект. | Очистите диск или используйте новый диск. |
| Диск не загружается или не извлекается из устройства | В устройстве уже есть диск. | Извлеките диск из устройства, затем установите новый диск. |
| | Конденсация влаги. | В течение часа не пользуйтесь устройством, затем повторите попытку. |
| Устройство не считывает диск | Диск установлен верхней стороной вниз. | Установите диск стороной с маркировкой вверх. |

| | | |
|----------------------------------------|-----------------------------------------------------------|---------------------------------------------------------|
| | Диск загрязнен или имеет дефект. | Очистите диск или установите новый. |
| | Температура внутри автомобиля очень высокая. | Подождите, пока температура не станет нормальной. |
| Не работают кнопки | Встроенный микрокомпьютер не работает надлежащим образом. | Выполните перезапуск устройство с помощью кнопки RESET. |
| | Передняя панель установлена некорректно. | Установите заново переднюю панель. |
| Радиоприемник не работает | Кабель антенны не подключен к устройству. | Подключите к устройству кабель антенны. |
| Не работает автонастройка радиостанций | Радиостанции имеют слишком слабый сигнал. | Настраивайтесь на станции вручную. |

Технические характеристики

Общие

| | |
|--------------------------------|--------------------------------|
| Номинальное напряжение питания | 13,5 – 14,4 В постоянного тока |
| Максимальная выходная мощность | 4 x 50 Вт |
| Размеры устройства | 165 x 50 x 178 мм |
| Вес нетто/брутто | 2,5 кг/3,5 кг |
| Угол установки | от 0 до +/- 30° |
| Диапазон рабочих температур | -20°C - +60°C |

Дисплей

| | |
|---------------|---------------------------------------|
| Дисплей | Моторизованный 7-дюймовый TFT-дисплей |
| Разрешение | 480 x 234 (RGB) |
| Формат | 16:9 |
| Контрастность | 500:1 |
| Яркость | 200 кд/м ² |

| | |
|----------------------------------|-----------------------------------------------------------------------|
| Угол обзора | 120° |
| FM радио | |
| Частотный диапазон | 65 МГц – 74 МГц/87,5 МГц – 108 МГц |
| Память цифрового тюнера | 18 станций |
| AM (MW) радио | |
| Частотный диапазон | 522 – 1620 кГц |
| Память цифрового тюнера | 12 станций |
| ТВ тюнер | |
| Система цветности | PAL/SECAM |
| Диапазон | 48,25 – 863,25 МГц |
| Плеер | |
| Поддержка носителей | DVD/DVD±R/±RW, CD-R/-RW, USB/SD/MMC |
| Форматы воспроизведения | DVD-video/DVD-audio/SVCD/VCD/HDCD/MP3/CDDA/ JPEG/MPEG4 (DivX/XviD) |
| Электронная система стабилизации | 8 сек DVD/40 сек CD/120 сек MP3 |

Технические характеристики могут быть изменены заводом-изготовителем без предварительного уведомления. Указанные геометрические размеры имеют приблизительные значения.



AI49

Уважаемый потребитель! Дата производства изделия содержится в серийном номере, указанном на упаковке, в гарантийном талоне и на корпусе изделия. Шестая, седьмая и восьмая цифры обозначают год (в интервале 2010 – 2019) и месяц производства.

Пример:

