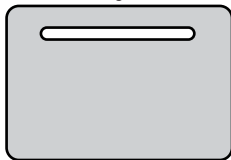
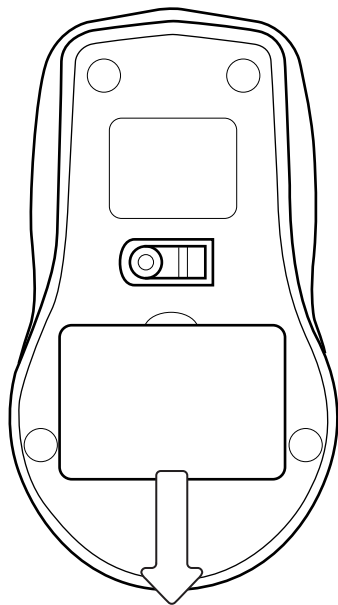




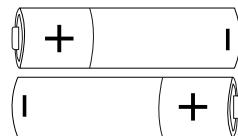
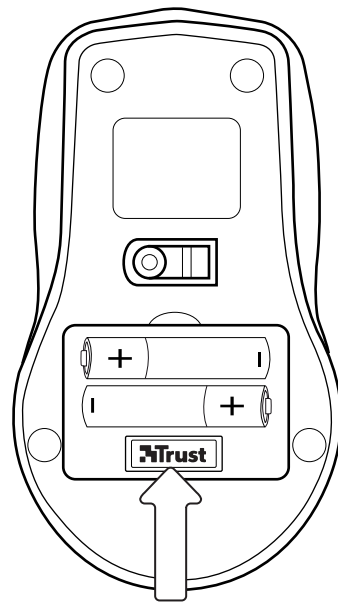
## Quick Installation Guide

Carve Wireless Mouse

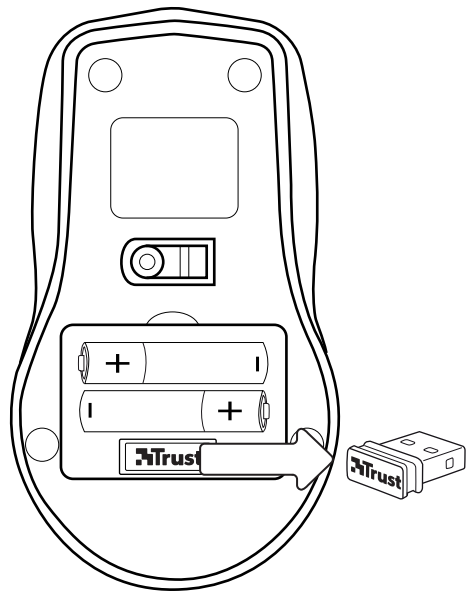
1



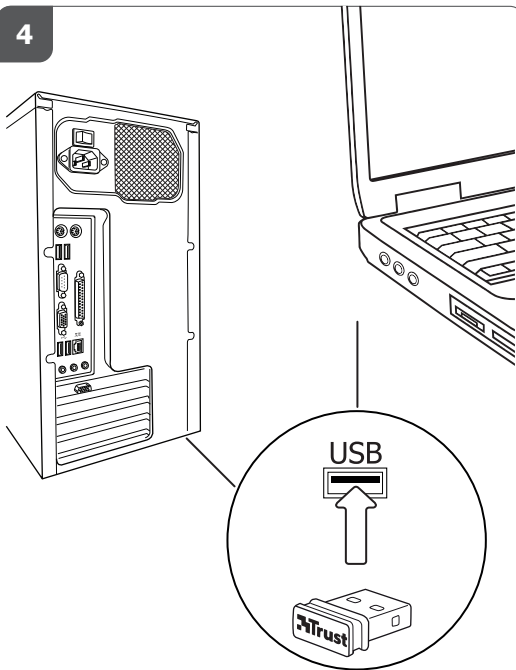
2



3



4



## Frequently asked questions

[www.trust.com/19932/faq](http://www.trust.com/19932/faq)