

QUICK INSTALL GUIDE



SL-6397-BK

VERS. 1.0

SPEEDLINK DECUS GAMING MOUSE



www.speedlink.com

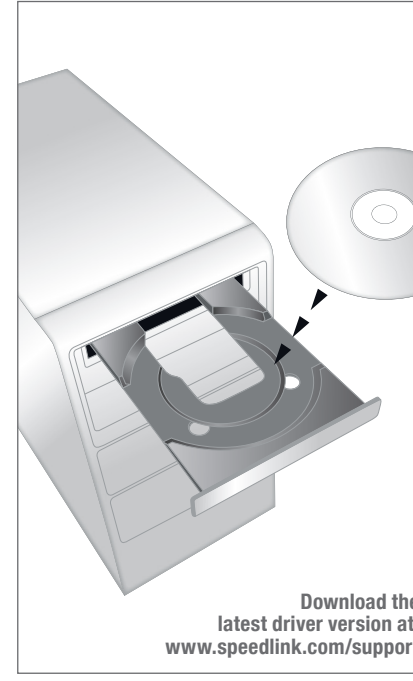
Having technical problems with this product? Get in touch with our Support team – the quickest way is via our website: www.speedlink.com.

1 CONNECTING



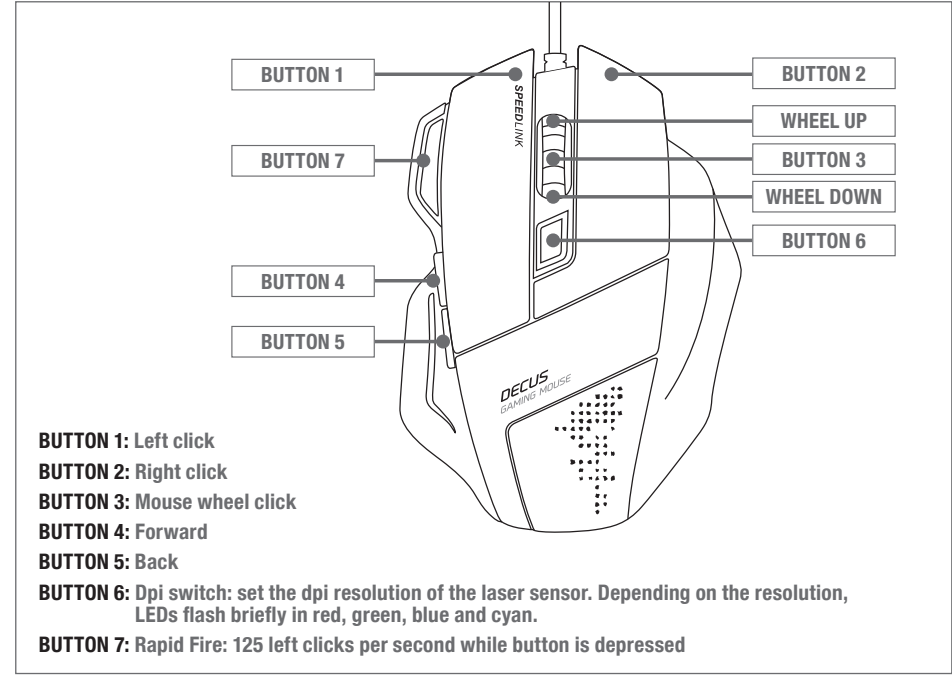
- 1. Plug the cable into any free USB port on your computer. The mouse will be detected automatically and ready to use shortly after that.
- 2. To use the full functionality of all the mouse's features, insert the accompanying CD into your PC's CD drive and follow the on-screen instructions to install the driver software.
- 3. To fully customise your mouse, open the driver menu by double-clicking the SPEEDLINK symbol on the bottom right in the Windows® taskbar. The menu lets you make extensive configuration changes.
- 4. Always use the latest driver version. To download it, visit: www.speedlink.com/support. You will also find detailed information there on how to use the driver with your DECUS Gaming Mouse.

2 DRIVER



Download the latest driver version at: www.speedlink.com/support

3 DEFAULT KEY ASSIGNMENT



- BUTTON 1:** Left click
- BUTTON 2:** Right click
- BUTTON 3:** Mouse wheel click
- BUTTON 4:** Forward
- BUTTON 5:** Back
- BUTTON 6:** DPI switch: set the dpi resolution of the laser sensor. Depending on the resolution, LEDs flash briefly in red, green, blue and cyan.
- BUTTON 7:** Rapid Fire: 125 left clicks per second while button is depressed

4 DRIVER MENU



PROFILE 1-5:
Use the arrow buttons to select one of 5 customisable profiles.

PROGRAM:
Assign a programme or game to your profile

EDIT:
Edit the current profile

LOAD:
Load a saved profile

SAVE:
Save your current profile

BUTTON 1-7 / WHEEL / BUTTONS MENU:
You can also assign new functions to buttons using the DECUS Gaming Mouse displayed. Just select the button you want to assign a new function to. In the lower section of the driver menu, you can configure the desired command using the 'Buttons' menu.

PERFORMANCE:
Set the dpi resolution of the laser sensor and the Windows mouse settings.

LIGHTING EFFECT / LIGHTING EFFECT COLOUR:
Assign lighting effect and colour within the current profile. Click 'APPLY' or 'OK' to confirm any changes made using the configuration menu.

- EN**

- DE**

- FR**

- NL**

- IT**

- ES**

- TR**

- EN**

- DE**

- FR**

- NL**

- IT**

- ES**

- TR**

