

ENGLISH

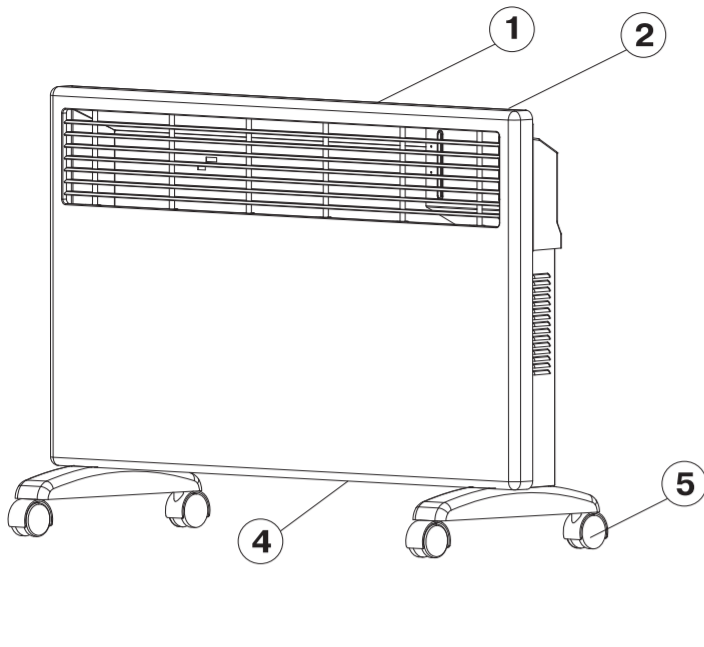
CONNECTOR FAN HEATER

Description

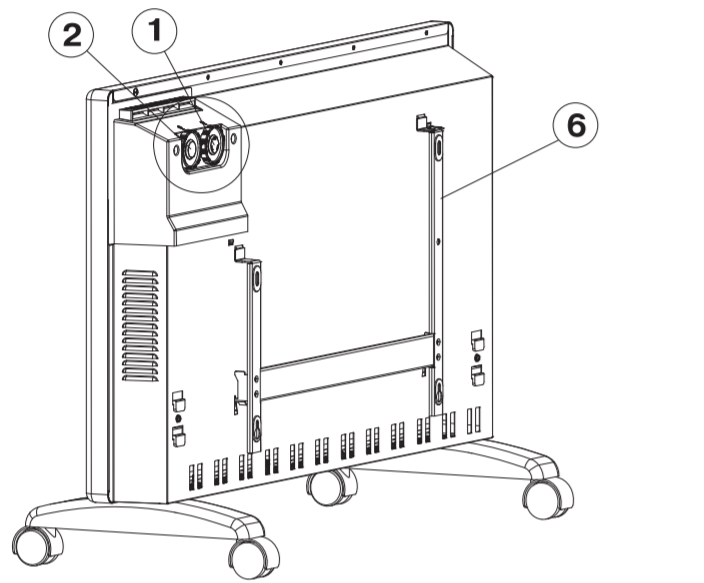
- 1. Thermostat control
2. ON/OFF switch
3. Air outlet grid
4. Air inlet
5. Supporting wheels
6. Mounting bracket

SAFETY MEASURES

- Before switching the unit on, read these instructions carefully.
Use the unit only for its intended purposes as stated in this manual.
Before using the appliance for the first time, make sure that the electricity supply corresponds to the voltage of current specified on the housing cord.
The power cord is equipped with a "euro plug"; connect it to the socket with a secure grounding.



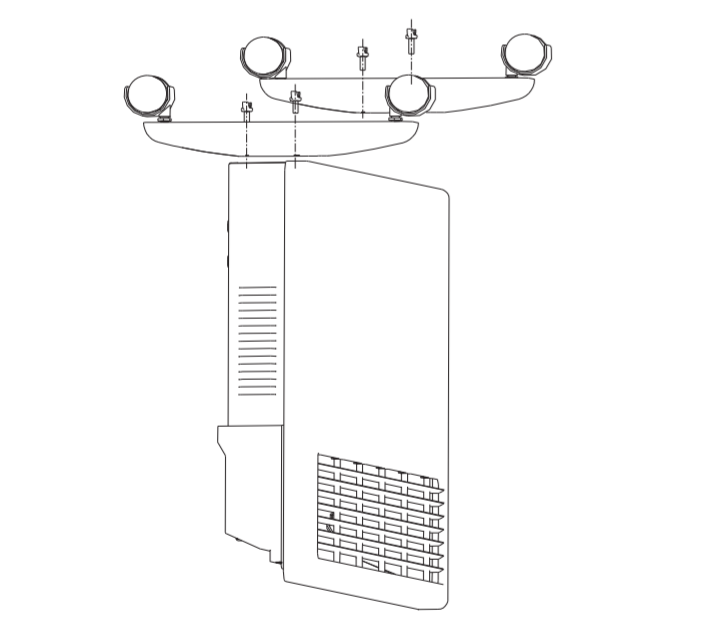
- When mounting the unit on the wall, place it in a way that the socket should be below the unit and easy to access.
When mounting the unit on the wall, the distance from the front and upper panels till the objects should be not less than 50 cm.
When mounting the unit on the wall, the distance from the side panels till the objects should be not less than 50 cm.



- When using the unit on the wall of the bathroom, the unit should be placed in a way that a person taking a shower could not reach the switch and the thermostat control.
For additional protection you can install a residual current device with nominal current of operation not exceeding 30 mA into the mains; when installing, contact a specialist.
Do not place the unit on the surfaces from which it can fall into a bath or other container filled with water.

- Do not use the unit outdoors.
Do not use the unit in the rooms where inflammable substances are kept or used.
Do not cover the unit during its operation.
Avoid blocking of the openings of the unit by any objects or interior elements of the room.

Вариант 1 – Напольная установка



- Do not allow children to use the unit as a toy.
Close supervision is necessary when the unit is used near children or disabled persons.
This unit is not intended for usage by children or disabled persons unless they are given all necessary instructions on safety measures and information about danger which can be caused by improper usage of the unit.
When using the wheels, use the unit on the flat stable surface.
Do not pull the unit by the power cord.
Use only the accessories supplied.
Never leave the operating unit unattended.
Always unplug the unit if it is not being used.

- Do not touch the power plug with wet hands.
Provide that the power cord does not contact hot surfaces and sharp edges.
Never wind the power cord over the unit.
Do not clean the power cord with water.
Do not use the unit if the plug or the power cord is damaged, if the unit malfunctions or in case of some damage.
Provide that the power cord does not contact hot surfaces and sharp edges.

- Always unplug the unit if it is not being used.
To remove dirt, use soft detergents, do not use abrasive substances.
To clean the air output and input grids use a vacuum cleaner with a corresponding attachment.
After cleaning put the fan heater in the box and keep in a dry cool place out of reach of children.

Preparing for operation

- ATTENTION! Portable electric heaters are intended for additional rooms heating. They are not meant for operation as main heating devices.
Take the unit out of the packaging, which can be used for storage of the unit.
Make sure that the switch (2) is in the "OFF" position.

- Insert the supporting wheels in the openings of the brackets and fasten them using the screws supplied with the unit.
Turn over the unit.
Fasten the brackets with the supporting wheels (5) using fastening screws.
Set the unit on the supporting wheels (5).

Option 2 – Wall-mounted installation

- Attention! Before drilling a hole in the wall, make sure that there is no electrical wiring at this place.
When mounting the unit on the wall, place it in a way that the socket should be below the unit and easy to access.
The distance from the front and upper panels till the objects should be not less than 15 cm, the distance from the side panels till the objects should be not less than 10 cm.
When mounting the unit on the wall, the supporting wheels (5) are not used.
Make sure that the unit is switched off and unplugged.

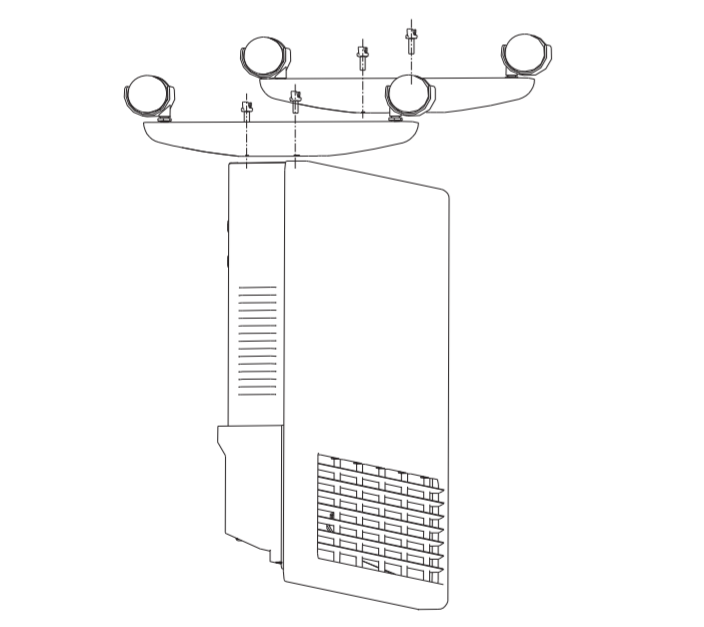
- Remove the mounting bracket (6) from the rear panel of the fan heater; by unscrewing two screws fastening the bracket (6).
Attach the mounting bracket (6) to the wall in a way that two lower openings should be at least 15 cm above the floor; mark the points for the holes.
Drill the holes in the wall, insert expansion anchors in the holes and fasten the bracket (6) with the screws.
Hang the fan heater on the bracket (6) and lock it using two screws.

- Operation
Insert the plug into the socket.
Set the switch (2) to the "ON" position.
Turn the thermostat control (1) to set the desired level of the room heating.
When the temperature in the room falls below the temperature set by the thermostat control (1), the unit will start operating.
When the temperature is reached, the unit will switch to the standby mode.
To switch off the unit, set the thermostat control (1) to the "MIN" position, the switch – to the "OFF" position, and then unplug the unit.

- When using the unit for the first time, the heating element burns, some smoke and foreign odor can appear, it is normal.
Do not open the doors and the windows when the unit is operating. There should be good heat insulation in the room; otherwise you will not get the desired results due to cold air flow.

- "Frost watch" function, the thermostat control in the "MIN" position
The thermostat is switching on during a significant decrease of the air temperature. Switching on the "Frost watch" function:
Set the switch (2) to the "ON" position.
Set the thermostat control to the left position – "MIN".
The heater will switch on when air temperature falls to approximately +5°C.

Вариант 2 – Крепление к стене



- Do not allow children to use the unit as a toy.
Close supervision is necessary when the unit is used near children or disabled persons.
This unit is not intended for usage by children or disabled persons unless they are given all necessary instructions on safety measures and information about danger which can be caused by improper usage of the unit.
When using the wheels, use the unit on the flat stable surface.
Do not pull the unit by the power cord.
Use only the accessories supplied.
Never leave the operating unit unattended.
Always unplug the unit if it is not being used.

- Do not touch the power plug with wet hands.
Provide that the power cord does not contact hot surfaces and sharp edges.
Never wind the power cord over the unit.
Do not clean the power cord with water.
Do not use the unit if the plug or the power cord is damaged, if the unit malfunctions or in case of some damage.
Provide that the power cord does not contact hot surfaces and sharp edges.

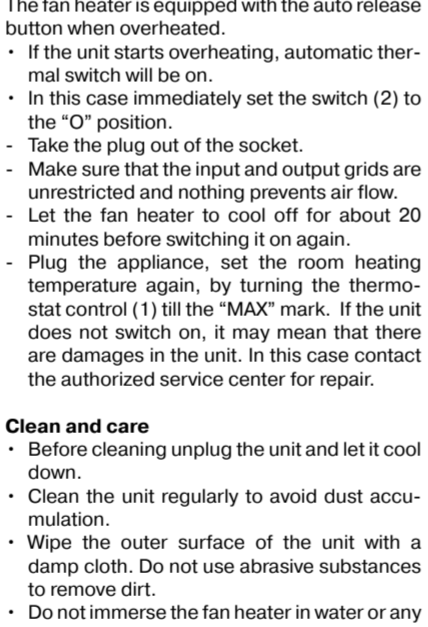
- Always unplug the unit if it is not being used.
To remove dirt, use soft detergents, do not use abrasive substances.
To clean the air output and input grids use a vacuum cleaner with a corresponding attachment.
After cleaning put the fan heater in the box and keep in a dry cool place out of reach of children.

Preparing for operation

- ATTENTION! Portable electric heaters are intended for additional rooms heating. They are not meant for operation as main heating devices.
Take the unit out of the packaging, which can be used for storage of the unit.
Make sure that the switch (2) is in the "OFF" position.

- Insert the supporting wheels in the openings of the brackets and fasten them using the screws supplied with the unit.
Turn over the unit.
Fasten the brackets with the supporting wheels (5) using fastening screws.
Set the unit on the supporting wheels (5).

Вариант 2 – Крепление к стене



- Do not allow children to use the unit as a toy.
Close supervision is necessary when the unit is used near children or disabled persons.
This unit is not intended for usage by children or disabled persons unless they are given all necessary instructions on safety measures and information about danger which can be caused by improper usage of the unit.
When using the wheels, use the unit on the flat stable surface.
Do not pull the unit by the power cord.
Use only the accessories supplied.
Never leave the operating unit unattended.
Always unplug the unit if it is not being used.

- Do not touch the power plug with wet hands.
Provide that the power cord does not contact hot surfaces and sharp edges.
Never wind the power cord over the unit.
Do not clean the power cord with water.
Do not use the unit if the plug or the power cord is damaged, if the unit malfunctions or in case of some damage.
Provide that the power cord does not contact hot surfaces and sharp edges.

- Always unplug the unit if it is not being used.
To remove dirt, use soft detergents, do not use abrasive substances.
To clean the air output and input grids use a vacuum cleaner with a corresponding attachment.
After cleaning put the fan heater in the box and keep in a dry cool place out of reach of children.

Preparing for operation

- ATTENTION! Portable electric heaters are intended for additional rooms heating. They are not meant for operation as main heating devices.
Take the unit out of the packaging, which can be used for storage of the unit.
Make sure that the switch (2) is in the "OFF" position.

- Insert the supporting wheels in the openings of the brackets and fasten them using the screws supplied with the unit.
Turn over the unit.
Fasten the brackets with the supporting wheels (5) using fastening screws.
Set the unit on the supporting wheels (5).

DEUTSCH

HEIZLÜFTER

Beschreibung

- 1. Thermostatsteuerung
2. Schalter ON/OFF
3. Luftaustrittsgitter
4. Lufteintrittsoffnung
5. Stützrollen
6. Aufhängevorrichtung

SICHERHEITSAUSSAGEN

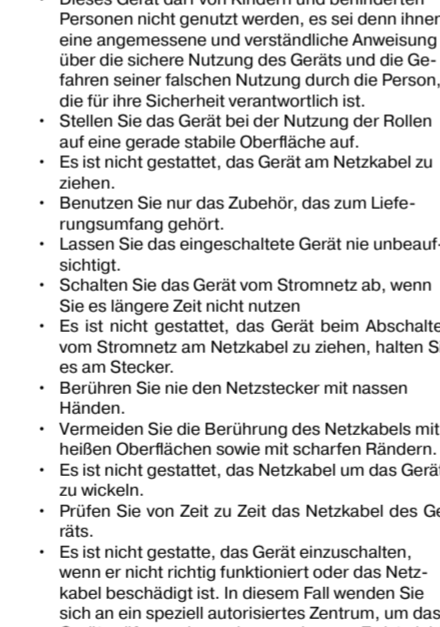
- Vor dem Einschalten des Geräts lesen Sie aufmerksam diese Betriebsanleitung durch.
Nutzen Sie die Mikrowelle nur bestimmungsgemäß, wie es in dieser Bedienungsanleitung beschrieben ist.
Verwenden Sie keine Überabgangsstücke beim Anschließen des Geräts an das Stromnetz; vermeiden Sie, dass die Spannung des Geräts mit der Netzspannung übereinstimmt.
Das Netzkaabel ist mit einem „Eurostecker“ ausgestattet; schalten Sie diesen in die Steckdose mit sicherer Erdung ein.
Legen Sie keine Überabgangsstücke beim Anschließen des Geräts an das Stromnetz; vermeiden Sie, dass die Spannung des Geräts mit der Netzspannung übereinstimmt.

- Bei der Befestigung des Geräts an der Wand soll die Entfernung vom Boden nicht weniger als 15 cm, die Entfernung von der vorderen und oberen Platte bis zu Gegenständen nicht weniger als 10 cm betragen.
Beim Aufhängen an die Wand ist das Gerät so unterzubringen, dass sich die Steckdose unterhalb des Geräts an der Wand soll die Entfernung vom Boden nicht weniger als 15 cm, die Entfernung von der vorderen und oberen Platte bis zu Gegenständen nicht weniger als 10 cm betragen.

- Bei der Befestigung des Geräts an der Wand soll die Entfernung vom Boden nicht weniger als 15 cm, die Entfernung von der vorderen und oberen Platte bis zu Gegenständen nicht weniger als 10 cm betragen.
Beim Aufhängen an die Wand ist das Gerät so unterzubringen, dass sich die Steckdose unterhalb des Geräts an der Wand soll die Entfernung vom Boden nicht weniger als 15 cm, die Entfernung von der vorderen und oberen Platte bis zu Gegenständen nicht weniger als 10 cm betragen.

- Bei der Befestigung des Geräts an der Wand soll die Entfernung vom Boden nicht weniger als 15 cm, die Entfernung von der vorderen und oberen Platte bis zu Gegenständen nicht weniger als 10 cm betragen.
Beim Aufhängen an die Wand ist das Gerät so unterzubringen, dass sich die Steckdose unterhalb des Geräts an der Wand soll die Entfernung vom Boden nicht weniger als 15 cm, die Entfernung von der vorderen und oberen Platte bis zu Gegenständen nicht weniger als 10 cm betragen.

Вариант 1 – Напольная установка



- Do not allow children to use the unit as a toy.
Close supervision is necessary when the unit is used near children or disabled persons.
This unit is not intended for usage by children or disabled persons unless they are given all necessary instructions on safety measures and information about danger which can be caused by improper usage of the unit.
When using the wheels, use the unit on the flat stable surface.
Do not pull the unit by the power cord.
Use only the accessories supplied.
Never leave the operating unit unattended.
Always unplug the unit if it is not being used.

- Do not touch the power plug with wet hands.
Provide that the power cord does not contact hot surfaces and sharp edges.
Never wind the power cord over the unit.
Do not clean the power cord with water.
Do not use the unit if the plug or the power cord is damaged, if the unit malfunctions or in case of some damage.
Provide that the power cord does not contact hot surfaces and sharp edges.

- Always unplug the unit if it is not being used.
To remove dirt, use soft detergents, do not use abrasive substances.
To clean the air output and input grids use a vacuum cleaner with a corresponding attachment.
After cleaning put the fan heater in the box and keep in a dry cool place out of reach of children.

Preparing for operation

- ATTENTION! Portable electric heaters are intended for additional rooms heating. They are not meant for operation as main heating devices.
Take the unit out of the packaging, which can be used for storage of the unit.
Make sure that the switch (2) is in the "OFF" position.

- Insert the supporting wheels in the openings of the brackets and fasten them using the screws supplied with the unit.
Turn over the unit.
Fasten the brackets with the supporting wheels (5) using fastening screws.
Set the unit on the supporting wheels (5).

Вариант 2 – Крепление к стене

- Attention! Before drilling a hole in the wall, make sure that there is no electrical wiring at this place.
When mounting the unit on the wall, place it in a way that the socket should be below the unit and easy to access.
The distance from the front and upper panels till the objects should be not less than 15 cm, the distance from the side panels till the objects should be not less than 10 cm.
When mounting the unit on the wall, the supporting wheels (5) are not used.
Make sure that the unit is switched off and unplugged.

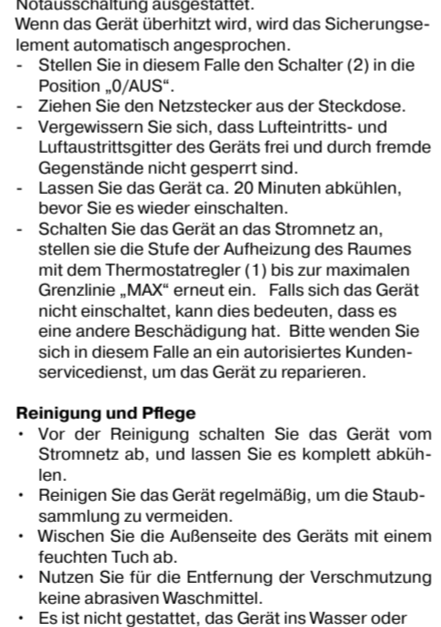
- Remove the mounting bracket (6) from the rear panel of the fan heater; by unscrewing two screws fastening the bracket (6).
Attach the mounting bracket (6) to the wall in a way that two lower openings should be at least 15 cm above the floor; mark the points for the holes.
Drill the holes in the wall, insert expansion anchors in the holes and fasten the bracket (6) with the screws.
Hang the fan heater on the bracket (6) and lock it using two screws.

- Operation
Insert the plug into the socket.
Set the switch (2) to the "ON" position.
Turn the thermostat control (1) to set the desired level of the room heating.
When the temperature in the room falls below the temperature set by the thermostat control (1), the unit will start operating.
When the temperature is reached, the unit will switch to the standby mode.
To switch off the unit, set the thermostat control (1) to the "MIN" position, the switch – to the "OFF" position, and then unplug the unit.

- When using the unit for the first time, the heating element burns, some smoke and foreign odor can appear, it is normal.
Do not open the doors and the windows when the unit is operating. There should be good heat insulation in the room; otherwise you will not get the desired results due to cold air flow.

- "Frost watch" function, the thermostat control in the "MIN" position
The thermostat is switching on during a significant decrease of the air temperature. Switching on the "Frost watch" function:
Set the switch (2) to the "ON" position.
Set the thermostat control to the left position – "MIN".
The heater will switch on when air temperature falls to approximately +5°C.

Вариант 2 – Крепление к стене



- Do not allow children to use the unit as a toy.
Close supervision is necessary when the unit is used near children or disabled persons.
This unit is not intended for usage by children or disabled persons unless they are given all necessary instructions on safety measures and information about danger which can be caused by improper usage of the unit.
When using the wheels, use the unit on the flat stable surface.
Do not pull the unit by the power cord.
Use only the accessories supplied.
Never leave the operating unit unattended.
Always unplug the unit if it is not being used.

- Do not touch the power plug with wet hands.
Provide that the power cord does not contact hot surfaces and sharp edges.
Never wind the power cord over the unit.
Do not clean the power cord with water.
Do not use the unit if the plug or the power cord is damaged, if the unit malfunctions or in case of some damage.
Provide that the power cord does not contact hot surfaces and sharp edges.

- Always unplug the unit if it is not being used.
To remove dirt, use soft detergents, do not use abrasive substances.
To clean the air output and input grids use a vacuum cleaner with a corresponding attachment.
After cleaning put the fan heater in the box and keep in a dry cool place out of reach of children.

Preparing for operation

- ATTENTION! Portable electric heaters are intended for additional rooms heating. They are not meant for operation as main heating devices.
Take the unit out of the packaging, which can be used for storage of the unit.
Make sure that the switch (2) is in the "OFF" position.

- Insert the supporting wheels in the openings of the brackets and fasten them using the screws supplied with the unit.
Turn over the unit.
Fasten the brackets with the supporting wheels (5) using fastening screws.
Set the unit on the supporting wheels (5).

РУССКИЙ

ТЕПЛОВЕНТИЛЯТОР КОНВЕКТОРНЫЙ

Описание

- 1. Регулятор термостата
2. Выключатель ON/OFF
3. Решетка выхода воздуха
4. Выходное отверстие воздуха
5. Опорные колесики
6. Крепление для крепления на стене

МЕРЫ БЕЗОПАСНОСТИ

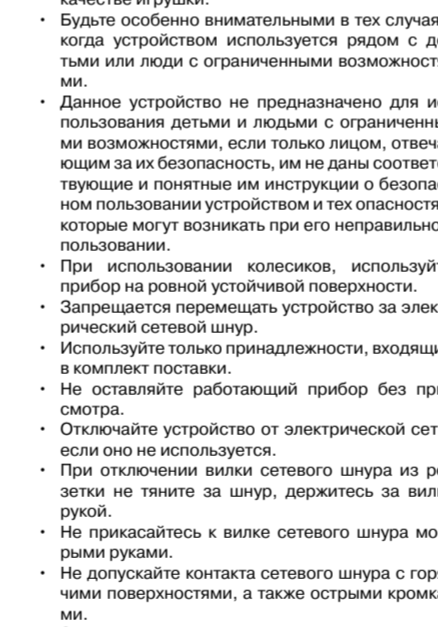
- Используйте устройство только по его прямому назначению, как изложено в данной инструкции.
Перед первым включением убедитесь, что на приложении в сети соответствует рабочему напряжению прибора.
Сетевой шнур снабжен «евровилкой»; включайте ее в розетку, имеющую надежный контакт заземления.
Во избежание риска возгорания пожара не используйте переноски при подключении прибора к электрической розетке.
Избегайте перегрузки в электрической сети, в которую включен данный тепловентилятор, не подключайте другие электроприборы с большой мощностью потребления.

- При подключении устройства на стену оно должно размещаться таким образом, чтобы розетка находилась ниже устройства, и доступ к ней должен быть свободным.
При креплении устройства на стену расстояние от передней и верхней панелей до предметов – не менее 50 см, расстояние от боковых панелей до предметов – не менее 10 см.
При креплении обогревателя на стену опорные колесики (5) не используются.
Убедитесь, что устройство выключено и отключено от сети.
Снимите крепежные кронштейны (6) с задней панели обогревателя, открутив два шурупа, фиксирующие установку.
Приложите крепежные кронштейны (6) к стене таким образом, чтобы два нижних отверстия электроприбора.
Проконтролируйте, чтобы расстояние от пола до розетки было не менее 15 см, доступ к розетке должен быть свободным.
После установки обогревателя на кронштейн (6) и зафиксировав его двумя шурупами.

- Эксплуатация
Вставьте вилку сетевого шнура в розетку.
Включите выключатель (2) в положение «ON/Вкл.».
После работы регулятора термостата (1) выключите желаемый уровень нагрева помещения.
Когда температура в помещении станет ниже установленной регулятором термостата (1), устройство начнет работать.
По достижении установленной температуры устройство перейдет в режим ожидания.
Для выключения устройства установите регулятор термостата (1) в положение «MIN», выключатель – в положение «OFF/выкл.», после чего отключите прибор от сети.

- При первом включении нагревательный элемент обгорает, поэтому возможно появление неприятного запаха. Это нормально явление.
Не открывайте при работе устройство в помещении, где хранятся или используются легковоспламеняющиеся вещества.
Запрещается накрывать прибор во время его работы.
Избегайте блокировки отверстий элементам корпуса либо предметами или элементами интерьера помещения.
Запрещается вешать любые посторонние предметы в область устройства во избежание получения травм или повреждений устройства.
Не переворачивайте прибор во время эксплуатации.

Вариант 1 – Напольная установка



- Do not allow children to use the unit as a toy.
Close supervision is necessary when the unit is used near children or disabled persons.
This unit is not intended for usage by children or disabled persons unless they are given all necessary instructions on safety measures and information about danger which can be caused by improper usage of the unit.
When using the wheels, use the unit on the flat stable surface.
Do not pull the unit by the power cord.
Use only the accessories supplied.
Never leave the operating unit unattended.
Always unplug the unit if it is not being used.

- Do not touch the power plug with wet hands.
Provide that the power cord does not contact hot surfaces and sharp edges.
Never wind the power cord over the unit.
Do not clean the power cord with water.
Do not use the unit if the plug or the power cord is damaged, if the unit malfunctions or in case of some damage.
Provide that the power cord does not contact hot surfaces and sharp edges.

- Always unplug the unit if it is not being used.
To remove dirt, use soft detergents, do not use abrasive substances.
To clean the air output and input grids use a vacuum cleaner with a corresponding attachment.
After cleaning put the fan heater in the box and keep in a dry cool place out of reach of children.

Preparing for operation

- ATTENTION! Portable electric heaters are intended for additional rooms heating. They are not meant for operation as main heating devices.
Take the unit out of the packaging, which can be used for storage of the unit.
Make sure that the switch (2) is in the "OFF" position.

- Insert the supporting wheels in the openings of the brackets and fasten them using the screws supplied with the unit.
Turn over the unit.
Fasten the brackets with the supporting wheels (5) using fastening screws.
Set the unit on the supporting wheels (5).

Вариант 2 – Крепление к стене

- Attention! Before drilling a hole in the wall, make sure that there is no electrical wiring at this place.
When mounting the unit on the wall, place it in a way that the socket should be below the unit and easy to access.
The distance from the front and upper panels till the objects should be not less than 15 cm, the distance from the side panels till the objects should be not less than 10 cm.
When mounting the unit on the wall, the supporting wheels (5) are not used.
Make sure that the unit is switched off and unplugged.

- Remove the mounting bracket (6) from the rear panel of the fan heater; by unscrewing two screws fastening the bracket (6).
Attach the mounting bracket (6) to the wall in a way that two lower openings should be at least 15 cm above the floor; mark the points for the holes.
Drill the holes in the wall, insert expansion anchors in the holes and fasten the bracket (6) with the screws.
Hang the fan heater on the bracket (6) and lock it using two screws.

- Operation
Insert the plug into the socket.
Set the switch (2) to the "ON" position.
Turn the thermostat control (1) to set the desired level of the room heating.
When the temperature in the room falls below the temperature set by the thermostat control (1), the unit will start operating.
When the temperature is reached, the unit will switch to the standby mode.
To switch off the unit, set the thermostat control (1) to the "MIN" position, the switch – to the "OFF" position, and then unplug the unit.

- When using the unit for the first time, the heating element burns, some smoke and foreign odor can appear, it is normal.
Do not open the doors and the windows when the unit is operating. There should be good heat insulation in the room; otherwise you will not get the desired results due to cold air flow.

- "Frost watch" function, the thermostat control in the "MIN" position
The thermostat is switching on during a significant decrease of the air temperature. Switching on the "Frost watch" function:
Set the switch (2) to the "ON" position.
Set the thermostat control to the left position – "MIN".
The heater will switch on when air temperature falls to approximately +5°C.

Вариант 2 – Крепление к стене



- Do not allow children to use the unit as a toy.
Close supervision is necessary when the unit is used near children or disabled persons.
This unit is not intended for usage by children or disabled persons unless they are given all necessary instructions on safety measures and information about danger which can be caused by improper usage of the unit.
When using the wheels, use the unit on the flat stable surface.
Do not pull the unit by the power cord.
Use only the accessories supplied.
Never leave the operating unit unattended.
Always unplug the unit if it is not being used.

- Do not touch the power plug with wet hands.
Provide that the power cord does not contact hot surfaces and sharp edges.
Never wind the power cord over the unit.
Do not clean the power cord with water.
Do not use the unit if the plug or the power cord is damaged, if the unit malfunctions or in case of some damage.
Provide that the power cord does not contact hot surfaces and sharp edges.

- Always unplug the unit if it is not being used.
To remove dirt, use soft detergents, do not use abrasive substances.
To clean the air output and input grids use a vacuum cleaner with a corresponding attachment.
After cleaning put the fan heater in the box and keep in a dry cool place out of reach of children.

Preparing for operation

- ATTENTION! Portable electric heaters are intended for additional rooms heating. They are not meant for operation as main heating devices.
Take the unit out of the packaging, which can be used for storage of the unit.
Make sure that the switch (2) is in the "OFF" position.

- Insert the supporting wheels in the openings of the brackets and fasten them using the screws supplied with the unit.
Turn over the unit.
Fasten the brackets with the supporting wheels (5) using fastening screws.
Set the unit on the supporting wheels (5).

КАЗАК

ЖЫЛУЖЕДЕТКІШ

Суреттеме

- 1. Термостат реттегіші
2. Сөндіргіш ON/OFF
3. Шығатын ауаның торы
4. Ауа кіретін санылу
5. Тірелу дөңгелектері
6. Қабрғаға бекітуге арналған қронштейн

ҚАУІПСІЗДІК ШАРАЛАРЫ

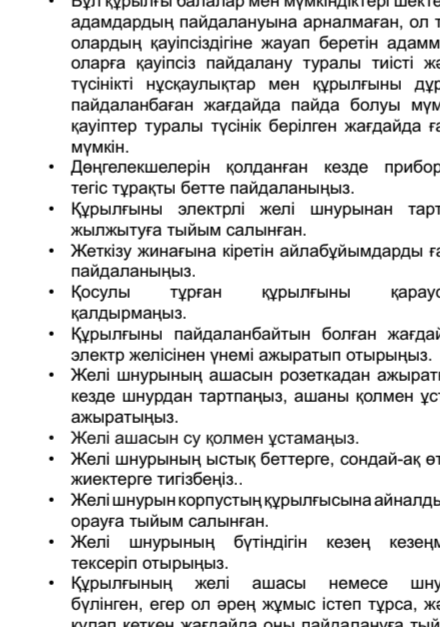
- Қолданушы пайдаланатын кезде еденнен қорғанып қалып, оған электр тогының шағылуына жол бермеуі керек.
Қолданылатын кезде қорғанып қалып, оған электр тогының шағылуына жол бермеуі керек.
Қолданылатын кезде қорғанып қалып, оған электр тогының шағылуына жол бермеуі керек.
Қолданылатын кезде қорғанып қалып, оған электр тогының шағылуына жол бермеуі керек.

- Қолданылатын кезде қорғанып қалып, оған электр тогының шағылуына жол бермеуі керек.
Қолданылатын кезде қорғанып қалып, оған электр тогының шағылуына жол бермеуі керек.
Қолданылатын кезде қорғанып қалып, оған электр тогының шағылуына жол бермеуі керек.
Қолданылатын кезде қорғанып қалып, оған электр тогының шағылуына жол бермеуі керек.

- Қолданылатын кезде қорғанып қалып, оған электр тогының шағылуына жол бермеуі керек.
Қолданылатын кезде қорғанып қалып, оған электр тогының шағылуына жол бермеуі керек.
Қолданылатын кезде қорғанып қалып, оған электр тогының шағылуына жол бермеуі керек.
Қолданылатын кезде қорғанып қалып, оған электр тогының шағылуына жол бермеуі керек.

- Қолданылатын кезде қорғанып қалып, оған электр тогының шағылуына жол бермеуі керек.
Қолданылатын кезде қорғанып қалып, оған электр тогының шағылуына жол бермеуі керек.
Қолданылатын кезде қорғанып қалып, оған электр тогының шағылуына жол бермеуі керек.
Қолданылатын кезде қорғанып қалып, оған электр тогының шағылуына жол бермеуі керек.

Вариант 1 – Напольная установка



- Do not allow children to use the unit as a toy.
Close supervision is necessary when the unit is used near children or disabled persons.
This unit is not intended for usage by children or disabled persons unless they are given all necessary instructions on safety measures and information about danger which can be caused by improper usage of the unit.
When using the wheels, use the unit on the flat stable surface.
Do not pull the unit by the power cord.
Use only the accessories supplied.
Never leave the operating unit unattended.
Always unplug the unit if it is not being used.

- Do not touch the power plug with wet hands.
Provide that the power cord does not contact hot surfaces and sharp edges.
Never wind the power cord over the unit.
Do not clean the power cord with water.
Do not use the unit if the plug or the power cord is damaged, if the unit malfunctions or in case of some damage.
Provide that the power cord does not contact hot surfaces and sharp edges.

- Always unplug the unit if it is not being used.
To remove dirt, use soft detergents, do not use abrasive substances.
To clean the air output and input grids use a vacuum cleaner with a corresponding attachment.
After cleaning put the fan heater in the box and keep in a dry cool place out of reach of children.

Preparing for operation

- ATTENTION! Portable electric heaters are intended for additional rooms heating. They are not meant for operation as main heating devices.
Take the unit out of the packaging, which can be used for storage of the unit.
Make sure that the switch (2) is in the "OFF" position.

- Insert the supporting wheels in the openings of the brackets and fasten them using the screws supplied with the unit.
Turn over the unit.
Fasten the brackets with the supporting wheels (5) using fastening screws.
Set the unit on the supporting wheels (5).

Вариант 2 – Крепление к стене

- Attention! Before drilling a hole in the wall, make sure that there is no electrical wiring at this place.
When mounting the unit on the wall, place it in a way that the socket should be below the unit and easy to access.
The distance from the front and upper panels till the objects should be not less than 15 cm, the distance from the side panels till the objects should be not less than 10 cm.
When mounting the unit on the wall, the supporting wheels (5) are not used.
Make sure that the unit is switched off and unplugged.

- Remove the mounting bracket (6) from the rear panel of the fan heater; by unscrewing two screws fastening the bracket (6).
Attach the mounting bracket (6) to the wall in a way that two lower openings should be at least 15 cm above the floor; mark the points for the holes.
Drill the holes in the wall, insert expansion anchors in the holes and fasten the bracket (6) with the screws.
Hang the fan heater on the bracket (6) and lock it using two screws.

- Operation
Insert the plug into the socket.
Set the switch (2) to the "ON" position.
Turn the thermostat control (1) to set the desired level of the room heating.
When the temperature in the room falls below the temperature set by the thermostat control (1), the unit will start operating.
When the temperature is reached, the unit will switch to the standby mode.
To switch off the unit, set the thermostat control (1) to the "MIN" position, the switch – to the "OFF" position, and then unplug the unit.

- When using the unit for the first time, the heating element burns, some smoke and foreign odor can appear, it is normal.
Do not open



АУДИО-ВИДЕО И
БЫТОВАЯ ТЕХНИКА

—

—

—

—

—

—

—

—

—

— **VT-2141 W**

— **Convector fan heater**

— **Тепловентилятор конвекторный**

—

—

—

—

—

—

—

—

—

—

—

—

—

—

—

—

—

—

—

—

—

—

—

—

—

—

—

—

—

—

—

—

—

—

—

—

—

—

—

—

—

—

—

—

—

—

—

—

—

—

—

—

—

—

—

—

—

—

—

—

—

—

—

—

—

—

—

—

—

—

—

—

—

—

—

—

—

—

—

—

—

—

—

—

—

—

—

—

—

—

—

—

—

—

—

—

—

—

—

—

—

—

—

—

—

—

—

—

—

—

—

—

—

—

—

—

—

—

—

—

—

—

—

—

—

—

—

—

—

—

—

—

—

—

—

—

—

—

—

—

—

—

—

—

—

—

—

—

—

—

—

—

—

—

—

—

—

—

—

—

—

—

—

—

—

—

—

—

—

—

—

—

—

—

—

—

—

—

—

—

—

—

—

—

—

—

—

—

—

—

—

—

—

—

—

—

—

—

—

—

—

—

—

—

—

—

—

—

—

—

—

—

—

—

—

—

—

—

—

—

—

—

—

—

—

—

—

—

—

—

—

—

—

—

—

—

—

—

—

—

—

—

—

—

—

—

—

—

—

—

—

—

—

—

—

—

—

—

—

—

—

—

—

—

—

—

—

—

—

—

—

—

—

—

—

—

—

—

—

—

—

—

—

—

—

—

—

—

—

—

—

—

—

—

—

—

—

—

—

—

—

—

—

—

—

—

—