



Dear customer!

Thank you for purchasing our product. For safety, it is strongly recommended to read this manual carefully before connecting, operating and/or adjusting the product and keep the manual for reference in the future.

## Table of contents

Table of contents .....	2
Important safeguards .....	3
Installation/ Connections.....	4
Accessories .....	10
Controls description.....	11
General operations .....	16
Radio operations .....	19
Discs operations.....	24
Notes on MP3 and WMA .....	30
System setup .....	32
Anti-theft system .....	35
Cleaning .....	36
Troubleshooting guide .....	37
Specification.....	39

## Important safeguards

- Read carefully through the manual to familiarize yours with this high-quality sound system.
- Disconnect the vehicle's negative battery terminal while mounting and connecting the unit.
- When replacing the fuse, be sure to use one with an identical amperage rating. Using a fuse with a higher amperage rating may cause serious damage to the unit.
- Do not attempt to disassemble the unit. Laser beams from the optical pickup are dangerous to the eyes.
- Make sure that pins or other foreign objects do not get inside the unit; they may cause malfunctions, or create safety hazards such as electrical shock or laser beam exposure.
- Do not use the unit in places where it can be exposed to water, moisture and dust.
- If you have parked the car for a long time in hot or cold weather, wait until the temperature in the car becomes normal before operating the unit.
- Do not open covers and do not repair yourself. Consult the dealer or an experienced technician for help.
- Make sure you disconnect the power supply and aerial if you will not be using the system for a long period or during a thunderstorm.
- Make sure you disconnect the power supply if the system appears to be working incorrectly, is making an unusual sound, has a strange smell, has smoke emitting from it or liquids have got inside it. Have a qualified technician check the system.
- The unit is designed for negative terminal of the battery, which is connected to the vehicle metal. Please confirm it before installation.
- Do not allow the speaker wires to be shorted together when the unit is switched on. Otherwise it may overload or burn out the power amplifier.
- Do not install the detachable panel before connecting the wire.

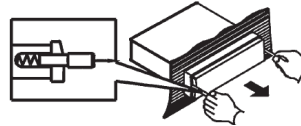
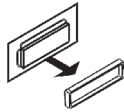
## Installation/ Connections

First complete the electrical connections, and then check them for correctness. If you are not confident working with electrical wiring, removing and reinstalling interior panels, carpeting, dashboards or other components of your vehicle, please call your dealer in order to have the unit professionally installed.

Before installing the unit, please remove two screws on the top.

### Before the installation

1. Remove the old unit from the dashboard.
  - Remove the outer trim frame.
  - Insert the keys supplied with the unit into both sides of the unit as shown in figure below until they click. Pull to remove the old unit from the dashboard. Do not disconnect wires at this time!



2. Mark polarity of the speaker wires.

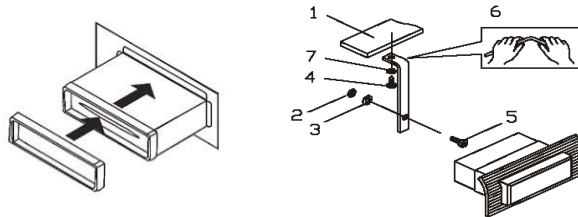
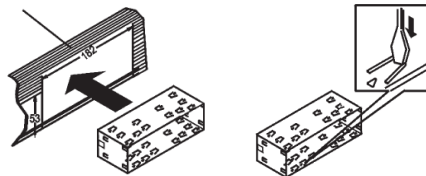
Marking the polarity of the speaker wires will make it easier to connect the existing speakers to your unit. Consult wiring diagram of existing head unit before disconnecting any wires. If you are not positive of the polarity of the existing wires from the speakers to the head unit, install new wires.

- While the old unit is playing, disconnect the wires from one speaker.
- Take a length of masking tape and fold it around the wire so it forms a flag.

- On the masking tape mark the polarity of the speaker wires (+ & -), as well as left or right, and front or rear.
- Repeat this procedure for all of the speakers.
- Mark the power, ground, and any other wires also.

Installation method A

- After inserting the holder into the dashboard, select the appropriate tab and bend them inwards to secure the holder in place.
- Insert fingers into the groove in the front of frame and remove it.
- Insert the levers supplied with the unit to the grooves at both sides. The unit can be installed or removed from the dashboard.



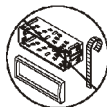
Installation way (method 2)

Installation using the screw holes at both sides of the unit.

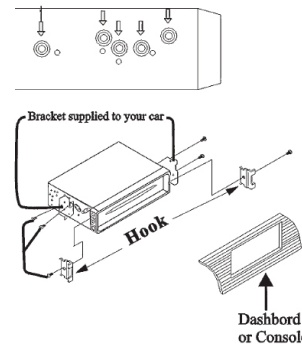
1. Select a position where the screw holes of the main unit are fitted for aligned, and tighten the screws at 2 positions at each side.

Use either truss screws (5 x 8mm) or flush surface screws (4 x 8mm), depending on the shape of the screw holes in the bracket.

2. Screw.
3. Factory radio mounting bracket.
4. Dashboard or Console.
5. Hook (Remove this part).



Note: The mounting box, outer trim ring, and the Half-sleeve are not used for this method of installation.



### Detachable control panel

Detaching the control panel

1. Press the OPEN button on the front panel. The panel will go down (pic. 1).
2. Push the panel to the left and then pull it towards you (pic. 2).

Attaching the control panel

1. Insert the left side of the control panel into the main unit (pic. 3).
- Note: the control panel must be attached into the T-Joint.
2. Press the right side of the control panel until a "click" sound is heard.
  3. Close the panel.



Pic.



Pic.

**Caution:**

DO NOT insert the control panel from the right side. It can damage the control panel.

The control panel can easily be damaged by shocks. After removing it, place it in a protective case and be careful not to drop it or subject it to strong shocks.

The rear connector that connects the main unit and the control panel is an extremely important part. Be careful not to damage it by pressing on it with fingernails, pens, screwdrivers, etc.

**Note:**

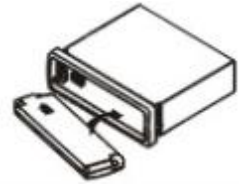
If the control panel is dirty, wipe off the dirt with soft, dry cloth only. And use a cotton swab soaked in isopropyl alcohol to clean the socket on the back of the control panel.

Electrical connections

## Speaker wiring notes

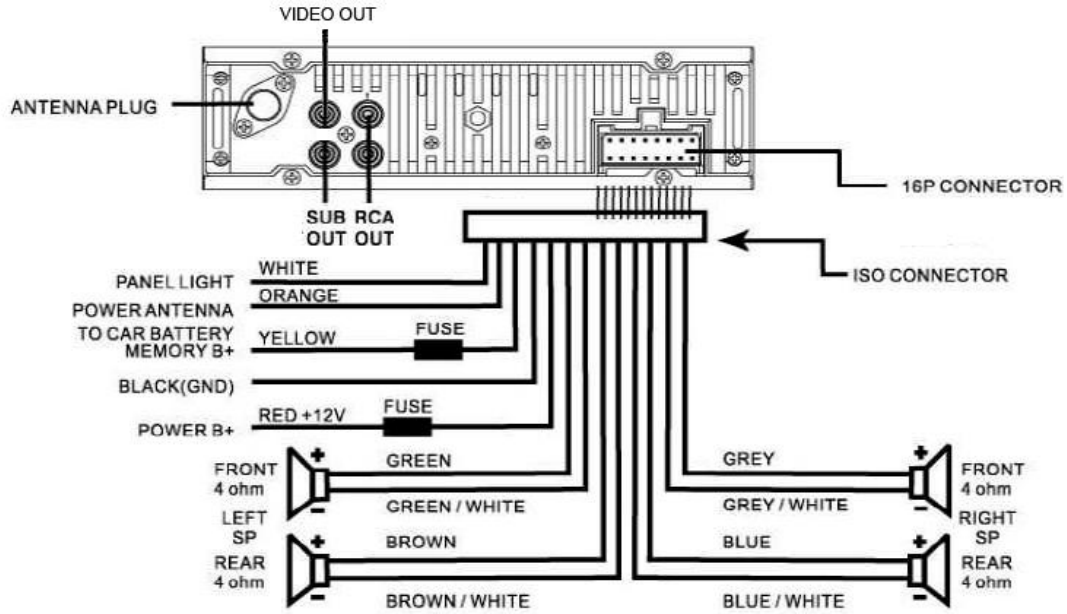
Follow the above wiring diagram to install the head unit with new or existing speakers.

- This unit is designed for use with four (4) speakers with an impedance between 4 Ohms to 8 Ohms.
- An impedance load of less than 4 Ohms could damage the unit.
- Never bridge or combine the speaker wire outputs. When not using four speakers, use electrical tape to tape the ends of the unused speaker outputs to prevent a short circuit.
- Never ground the negative speaker terminals to chassis ground.



Pic. 3

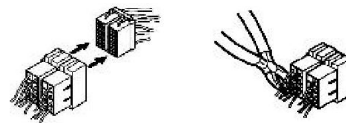
Connection scheme:





## Using the ISO Connector

1. If your car is equipped with the ISO connector, then connect the ISO connectors as illustrated.



2. For connections without the ISO connectors, check the wiring in the vehicle carefully before connecting, incorrect connection may cause serious damage to this unit. Cut the connector, connect the colored leads of the power cord to the car battery as shown in the colour code table below for speaker and power cable connections.

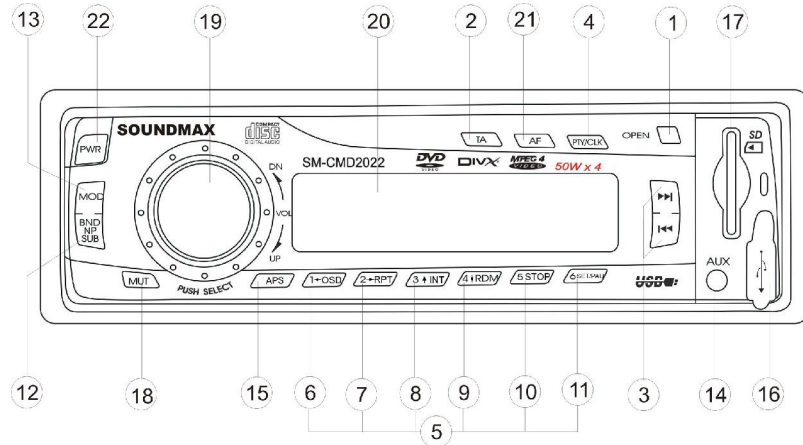
Location	FUNCTION	
	Connector A	Connector B
1		Rear Right(+)--Blue
2		Rear Right(-)--Blue/White Stripe
3		Front Right(+)--Grey
4	Battery 12V (+)/yellow	Front Right(-)--Grey/White Stripe
5	Auto Antenna/Orange	Front Left(+)--Green
6	Panel light/White	Front Left((-)--Green/White Stripe
7	ACC+/-red	Rear Left(+)--Brown
8	Ground/black	Rear Left(-)--Brown/White Stripe

## Accessories

Nº	Name	pcs
1	Hexagon nut M5 T (3.5 mm)	1
2	Mounting box (0.6 mm)	1
3	Left key (1.0 mm)	1
4	Right key (1.0 mm)	1
5	Metal bar (0.8 mm)	1
6	ISO connector	1
7	Plain washer $\Phi=5$ mm	1
8	Carrying case	1
9	Outer trim ring	1
10	Spring washer $\Phi=5$ mm	2
11	Screw $\Phi 5 \times 5$ mm	4
12	Screw $\Phi 5 \times 25$ mm	1
13	Screw M5 $\Phi 5 \times 29.3$ mm	1
14	Customer information	1
15	Warranty card	1
16	Instruction manual	1

# Controls description

## Front panel



### 1. OPEN BUTTON

Press it to remove the front panel.

### 2. TA BUTTON

In RADIO mode press it to active the TA function.

### 3. ⏮/⏭ buttons

In Disc mode press the buttons shortly to go to previous/next track. Press and hold them to start fast backward/ forward rewind. In Radio mode press the buttons shortly to search the stations manually. Press and hold for 2 seconds to start searching the stations automatically.

### 4. PTY / CLK BUTTON

Press it and hold for 2 seconds to set clock.

In RADIO mode press it to active the PTY function. Press and hold it to set the time.

### 5. PRESET STATION [1-6] BUTTONS

6. ◀/ OSD button  
In menu use it to move to the left.  
During playback press it and hold for 2 seconds to show the mode information on the display.
7. ▶/ RPT BUTTON  
In menu use it to move to the right.  
During playback press it and hold for 2 seconds to start repeat playback.
8. ▲/ INT BUTTON  
In menu use it to move upward.  
During playback press it and hold for 2 seconds to start intro playback (about 10 seconds each track).
9. ▼/ RDM BUTTON  
In menu use it to move downward.  
During playback press it and hold for 2 seconds to start random playback.
10. STOP BUTTON  
During playback press it to stop playback.
11. SET/PAU BUTTON  
Press it to enter the setup menu.  
In Disc mode during playback press it to pause playback. Press again to resume.
12. BAND/ NP/ SUB BUTTON  
In radio mode press it to select desired band.  
During playback press it to select the TV type: NTSC => PAL => PAL60 => AUTO.  
Use this button to turn the Subwoofer output ON.
13. MODE button.  
Press it to select the mode: TUNER => DISC => USB/SD/MMC => AUX.
14. AUX IN
15. APS BUTTON

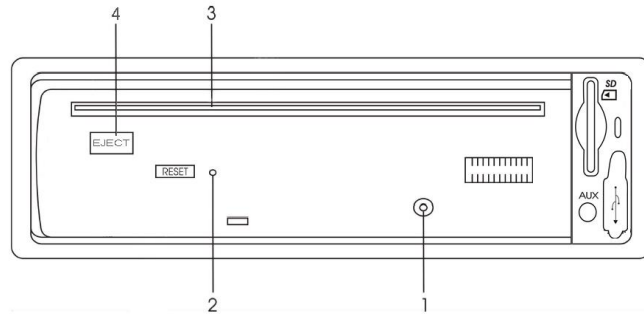
In Radio mode press it to scan the preset memorized stations. Press it and hold for 2 seconds to store the programs with the best reception into preset buttons automatically.

16. USB socket
17. SD/MMC socket
18. MUTE BUTTON  
Press it to switch the sound off/on.
19. VOL KNOB / SEL BUTTON  
Rotate it clockwise to increase the volume level; rotate anticlockwise to decrease the volume level.  
Press it repeatedly to select the mode: VOL => BAS => TRE => BAL => FAD => LOUD => LOC => ST => EQ.  
Rotate VOL knob to adjust each mode.
20. LCD (LIQUID CRYSTAL DISPLAY)
21. AF BUTTON  
Press it to active the AF function.
22. POWER BUTTON  
Press it to turn the power on/off.

Back of the front panel

Press the OPEN button to open the panel.

1. LED INDICATOR
2. RESET BUTTON
3. DISK SLOT
4. EJECT BUTTON

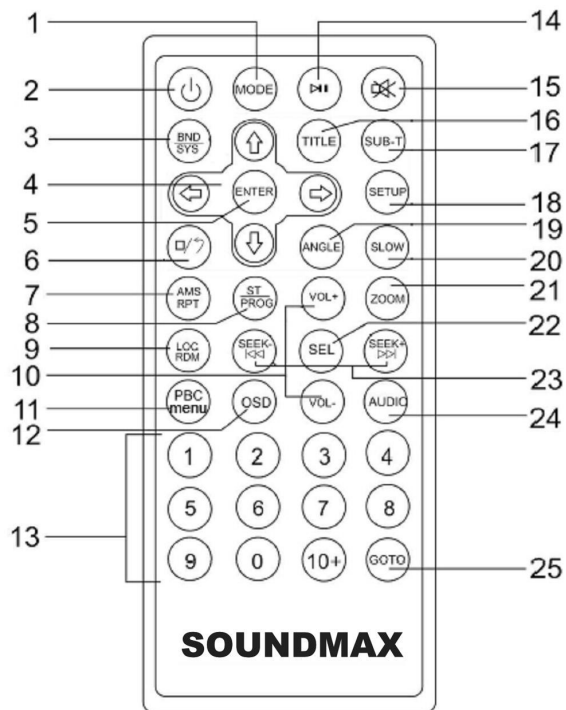


Note: Pressing the RESET hole will erase the clock setting and stored stations.

Panel status indicator lights up when you slide the panel down, flashes when you remove the panel.

Remote control

1. MODE BUTTON
2. POWER BUTTON
3. BND/SYS BUTTON
4. ERROR BUTTONS
5. ENTER BUTTON
6. STOP/REVERSE BUTTON
7. AMS/RPT BUTTON
8. ST/PROG BUTTON
9. LOC/RDM BUTTON
10. VOL +/- BUTTON
11. PBC BUTTON
12. OSD BUTTON
13. DIGIT AREA
14. PLAY/PAUSE BUTTON
15. MUTE BUTTON
16. TITLE BUTTON
17. SUB-T BUTTON
18. SETUP BUTTON
19. ANGLE BUTTON
20. SLOW BUTTON
21. ZOOM BUTTON
22. SEL BUTTON
23. SEEK +/- / ◀▶ BUTTONS
24. AUDIO BUTTON
25. GOTO BUTTON



SOUNDMAX

## Changing the battery

1. Press the catch and at the same time pull out the battery tray. Insert the 1 x lithium battery, type CR 2025 3V battery with the stamped (+) mark facing upward. Insert the battery tray into the remote control.



## General operations

### Reset the unit

Operating the unit for the first time or after replacing the car battery, you must reset the unit.

Press OPEN button and remove the panel, then press the RESET button to restore the unit to the original factory settings.

### Power button

Press any button to turn the unit on.

Press the POWER button to switch the unit off.

Note: After the unit is off, the clock, volume level and radio current settings will be memorized, and when you turn the unit on it will resume the stored status you set.

### Volume adjustment

Rotate VOL knob on the panel clockwise or press the VOL+ button on the RC to increase the volume level; rotate anticlockwise or press VOL- to decrease the volume level.

### Mute function

Press the MUTE button to cancel the sound. Press again to resume.



### Mode selecting

Press the MOD button on the front panel or MODE button on RC repeatedly to select the mode: RADIO => DISC (the type of disc inserted) => USB (if any is inserted) => CARD (the type of card inserted).

### Subwoofer control

Press and hold the BAND/ NP/ SUB button on the panel to turn the Subwoofer output ON. An external amplifier is required to operate a subwoofer.

### Sound settings

Press SEL button shortly and repeatedly to select the mode: VOL => BAS => TRE => BAL => FAD => LOUD => LOC => ST => EQ. Rotate the VOL knob or use VOL +/- buttons to adjust each mode.

- VOLUME: 00, 02,....., 38, 39
- BASS/TREBLE: -7, -6,....., 0, +1, +2,.....+6, +7
- BALANCE: 7L, 6L,....., L=R, 1R,.....,7R
- FADER: 7R, 6R,....., R=F, 1F,....., 7F
- LOUD: ON/OFF
- LOC: LOC ON, LOC OFF (DX).
- ST: STEREO, MONO
- EQ: CLASS, POP, ROCK, FLAT, OFF

Note: In each mode, the waiting time is about 5 seconds, and the waiting time is over, it returns to the last display mode of radio or disc playback mode.

### Clock display and adjustment

1. Press the PTY/CLK button on the panel to show the time on the display.
2. Press and hold it, the hour will blink.
3. Rotate the VOL knob on the panel to adjust the hour.

4. Press briefly the SEL button again, the minute will blink.
5. Rotate the VOL knob on the panel to adjust minutes.
6. Press the PTY/CLK button to confirm it.

## Radio operations

Note: RDS (Radio Data System) service availability varies with areas. Please understand if RDS service is not available in you area, the following service is not available, either.

### Band select

Press the BAND button on the front panel or BND/SYS button on RC repeatedly to select your desired radio band during RADIO mode: FM1, FM2, FM3, AM1, AM2.

### Auto/ Manual tuning

- Manual tuning: Press briefly the SEEK-/+ buttons on the RC or press briefly ◀/▶ buttons on the panel to select a station downward or upward step by step.
- Automatic tuning: Press and hold for 2 seconds the SEEK-/+ buttons on the RC press and hold for 2 seconds ◀/▶ buttons on the panel, the automatic search will start. It will play when finds the station.

### Programming tuner stations

You can store up to a total of 30 radio stations in the memory (18 FM, 12 AM), manually or automatically.

To store a station:

- Select a band (if needed)
- Select a station by SEEK-/+ on the RC.
- Hold a Preset button (1-6) which you want store the station for at least 2 seconds.

To recall a station:

- Select a band (if needed)
- Press a Preset button (1-6) briefly to recall the stored station

### APS (Auto memory store/ Preset scan) function

- Preset scan: press APS button on the panel or AMS button on the RC to scan all preset stations in the memory of the current band and stay on each memory stations for about 5 seconds. To stop preset scan, press this button again. To listen to saved station press 1-6 buttons.
- Auto memory store: press APS button on the panel for more than 2 seconds to enter auto store mode. The radio will automatically store the 6 strongest available stations to the 6 preset memories of the current band. To stop auto store, press this button again.

### Stereo/ Mono mode

Press the ST/PROG button on the RC to select Stereo or Mono.

OR press the SEL button until ST is selected, rotate the VOL knob to select Stereo or Mono.

### Local/Distance control

Press the LOC/RDM button on the RC to select LOC ON or LOC OFF mode.

OR press the SEL button until LOC is selected, rotate the VOL knob to select LOC ON or LOC OFF mode.

Local and distance reception setting can facilitate the radio reception, depending on the location in which the radio is being used.

### AF (Alternative Frequencies) function

Press the AF button on the panel to select AF ON or AF OFF.

When the radio signal strength is poor, enabling the AF function will allow the unit to automatically search another station with the same PI (Program Identification) as the current station but with stronger signal strength.

PS (Program Service name): the name of station will be display instead of frequency.

If RDS service is not available in your area, turn off the AF mode. Default setting is ON.

### TA (Traffic Alarm) function

Press the TA button on the panel to select TA ON or TA OFF.

In TA mode traffic program will be automatically searched, until the program is received.

When traffic announcement is received the unit will temporarily switch to the tuner mode (regardless of the current mode) and begin broadcasting the announcement. After the traffic announcement is over, it will return to the previous mode and volume level.

PTY (Program Type)

1. Press PTY/CLK button on the panel to activate the PTY function. The previous PTY type is shown.
2. Press PTY/CLK once again to enter the MUSIC type or press twice to enter the SPEECH type, then use buttons 1 - 6 to select the desired program type (see the following table).

Button Number	Music Group	Speech Group
1	POP, ROCK	NEWS, AFFAIRS, INFO
2	EASY, LIGHT	SPORT, EDUCATE, DRAMA
3	CLASSICS,	CULTURE, SCIENCE, VARIED
4	JAZZ, COUNTRY	WEATHER, FINANCE, CHILDREN
5	NATION, OLDDIES	SOCIAL, RELIGION, PHONE IN
6	FOLK	TRAVEL, LEISURE, DOCUMENT

3. When PTY is selected, the radio starts to search corresponding PTY information, and stops if the corresponding PTY information is detected.
4. If there are no keys entered for 2 seconds, previously selected PTY is searched. During 1 loop, if desired PTY is not found, NO PTY is flashed, then return to previous normal radio and PTY word disappears.
5. Press PTY button for the 3<sup>rd</sup> time to switch the PTY function off.

Press SEL button for 2 seconds to enter the menu mode. Press it repeatedly to choose the needed item: TA SEEK/ALARM => RETUNE L/S => MASK DPI/ALL.

- TA (Traffic Announcement) mode  
To determine what action will the radio take if the newly tuned station does not receive TP (Transport Program) information for 5 seconds. Rotate the VOL knob to select the desired mode: TA ALARM and TA SEEK.

- TA SEEK  
When newly tuned station does not receive TP information for 5 seconds, the radio retunes to next station which has not the same station (PI – Program Information) as the last station, but has the TP information. When TP information gets lost at the current station for retune time which is set by RETUNE SHORT (30 seconds) or RETUNE LONG (90 seconds), the radio starts to retune to next same PI station. When same PI station does not catch in 1 cyclic search, the radio retunes to next station with TP information.
- TA ALARM  
During searching the radio does not retune but the double beep sound (alarm) is output.
- RETUNE mode  
To determine the initial time of automatic TA (Traffic Announcement) search.  
There are 2 modes: RETUNE L and RETUNE S.
  - RETUNE L: 90 seconds.
  - RETUNE S: 30 seconds.Note: Retune mode is active for TA SEEK mode only.
- MASK mode  
During AF search, PI stations and non-RDS (Radio Data Station) stations with strong signal will be masked, in the latter case, the non-RDS stations may cause interference, resulting the real AF to be masked due to the misjudgment of the radio under interference. Rotate the VOL knob to select the desired mode: MASK DPI and MASK ALL.
  - MASK DPI  
To mask only the AF with different PI.
  - MASK ALL  
To mask both PI and strong signal non-RDS station.

## Discs operations

### Disc glossary

PBC (PlayBack Control)

PBC is a menu recorded on the disc with SVCD or VCD2.0 format. For the discs contained PBC, it can playback interactive software with the menu displayed on TV. And if the disc contains still images, it can playback high definition of still image.

Title

The title is the important part of DVD disc. The memory volume of the disc is rather big, that makes possible to record several films on one disc. For example, if a disc contains three films, they may be divided into Title 1, Title 2 and Title 3. You can easy use the functions of looking-for.

Chapter

A title can be divided into several blocks, so that every block can be operated as a unit, the unit is called chapter. The chapter contains a unit at least.

Track

It is the biggest component of VCD. Generally, every song of karaoke disc is a track.

### Discs for playback

- This unit can play disc types: CD-R/-RW/DVD±R/±RW.
- Compatible with formats: DVD/ DVD±R/ DVCD/SVCD/VCD/CDDA/MP3/WMA/CD/Picture-CD/Photo-CD/CD-R/CD-RW/JPEG/DivX(4.0/5.0)/MPEG4.
- The following file types are supported:
  - Audio files: MP3 (\*.mp3)  
WMA (\*.wma)
  - Video files: MP4 (\*.avi, DIVX3.11/4.0/5.0/6.0 and XVID)  
MPEG 2 (\*.vob)



MPEG 1(\*.dat)

Picture file: JPEG (\*.jpg)

- ISO 9660 or ISO 9660 +Joliet format - Max. 30 characters
- Max. Track number is 448
- Max. nested directory is 8 levels
- The max. album number is 99
- The max. length of each track is 99 minutes 59 seconds
- Supported sampling frequency for MP3 disc: 8 KHz – 48 KHz (44.1 KHz preferably)
- Supported bit-rates of MP3 disc are: 32 - 320 kbps (128 kbps preferably).
- Following formats are NOT supported \*.ACC, \*.DLF, \*.M3U, \*.PLS, MP3 PRO, files with DRM.
- Open session discs are NOT supported.

#### USB/SD/MMC notes

USB functions (flash memory type) MP3 music play.

1. SD/ MMC card support, 2in1 (SD/ MMC) support.
2. USB flash memory.
3. FAT 12/ FAT 16/ FAT 32 is possible  
FAT 12/16 (dir: 200 support, file: 500 support),  
FAT 32 (dir: 200 support, file: 500 support).
4. Filename: 32 byte/ Dir name: 32 byte.
5. Tag (id3tag ver2.0)  
Title/ Artist/ Album: 32 byte support.
6. Multi card reader not support.
7. USB 2.0 support.

Note:

USB format supports 2.0.

Capacity: 8 MB ~ 1 GB.

SD cards brands: Cannon, Fuji film, Palm, Motorola, Microsoft, IBM, HP, Compaq, Sharp, Samsung, etc. Capacity: 8 MB ~ 1 GB.

MMC cards brands: Ericsson, Nokia, Motorola, HP, Palm, Sanyo, Microsystems, etc.

Capacity: 16 MB ~ 1 GB.

### Inserting the SD/ MMC card/ USB device

Insert the MMC/ SD card or USB device into MMC/ SD compartment or USB socket. Then the playing mode will be changed into MMC/ SD or USB mode automatically.

The first card/ USB device track playback will start.

Note: When MMC/ SD card and USB device are both inserted into their compartment or socket, the playing mode will be changed into the mode of the later one.

### Playing/ pausing

- When the disc has been already loaded press the PLAY/PAUSE button on the RC to start playback.
- To ensure good system performance, wait until the unit finishes reading the disc information before proceeding.
- Press and hold for 2 seconds the SET/PAU button on the panel or press shortly the PLAY/PAUSE on the RC to pause the playback. Press again to resume the playback.

### Stop playback

During playback press the STOP button to stop playback.

### Playing the previous/ next track

During playback press the ⏮ button on the RC or on the panel to play the previous track.

Press the ►► button on the RC or on the panel to play the next track.

### Scanning forward and backward

Press and hold the ◀◀ or ►► button on the RC or on the panel to fast the playing in backward or forward direction.

Release the button when the desired location is found.

### Slow playback (for DVD/VCD)

During DVD / VCD playback press the SLOW button on the RC to execute the SLOW function. With each consecutive pressing of the SLOW button, the playback speed decreases: X1/2 => X1/3 => X1/4 => X1/5 => X1/6 => X1/7 => Normal.

During slow forward, press the PLAY/PAUSE button to resume normal playback.

### Repeat playback

Press and hold for 2 seconds the RPT button on the front panel or press shortly AMS/RPT button on the RC to repeat the current track playback. Press again time to cancel.

### Random playback

Press and hold for 2 seconds the RDM button on the front panel or press shortly LOC/RDM button on the RC to start the random playing. Press again time to cancel.

### Intro playback

You can play the beginning of every track for 10 seconds in sequence. Press and hold for 2 seconds the INT button on the panel to start intro play. Press again to cancel.

### On-screen display

Press and hold for 2 seconds the OSD button on the panel or shortly press OSD on the RC. The display will show the current track/title/ total amount of tracks/titles, current chapter/ total amount of chapters, disc playback time elapsed.

### Changing size

Press the ZOOM button on RC. The picture will be enlarged accordingly: X2, X3, X4, 1/2, 1/3, 1/4, OFF.

### Selecting the audio language (for DVD only)

Press the AUDIO button on RC or press the SEL button to select AUDIO and then rotate the VOL knob to select the audio language (if DVD disc supports several audio languages).

### Changing angle (for DVD only)

If DVD disc supports multi-angle playback, press ANGLE button on RC to play images in different camera angles. If discs doesn't support multi-angle playback, this function will not work. If no operation within 1 second, angle description will disappear.

### Selecting the subtitle (for DVD only)

1. Press the SUB-T button on RC repeatedly to select the subtitle.
2. Press ENTER to confirm.

### Title playing (for DVD only)

- Press TITLE button on the RC to activate the disc title list on the screen.
- Press the ▲/▼ buttons on the RC to select the desired title or press the digit buttons to insert the desired number directly.
- Press ENTER button or PLAY/PAUSE button to confirm the selected item and start playing.

### PBC (Playback Control) function (for VCD only)

If you insert a VCD with PBC, playback starts from the beginning of the 1st track automatically.

1. Press PBC button on the RC to activate PBC menu on screen during playback.
2. If the menu consists a list of titles, you can select a desired one using the ◀/▶/▲/▼ buttons on the RC or digit buttons.
3. The VCD starts playing the selected title automatically or press PLAY/ PAUSE / ENTER button to confirm the selected track for playback.
4. Press PBC again to exit menu.

#### GOTO function

During the playback press the GOTO button on the RC to enter the search mode. Use the digital buttons and cursor buttons to input the desired track/chapter number or time. Press ENTER to start its playing.

#### Program playing

During playback press the ST/PROG button on the RC to open the program menu. Press the cursor buttons and number buttons to set the sequence of playback.

#### TV type select (for DVD/VCD)

Press the PN/ SUB/ BAND button on the panel to select the TV type: NTSC => PAL => PAL60 => AUTO.

## Notes on MP3 and WMA

- MP3 is short for MPEG Audio Layer 3 and refers to an audio compression technology standard.
- This product allows playback of MP3 files on CD-ROM, CD-R or CD-RW discs.
- The unit can read MP3 files written in the format compliant with ISO 9660. However it does not support the MP3 data written by the method of packet write.
- The unit can not read an MP3 file that has a file extension other than “.mp3”.
- If you play a non- MP3 file that has the “.mp3” extension, you may hear some noise.
- In this manual, we refer to what are called “MP3 file” and “folder” in PC terminology as “track” and “album”, respectively.
- Maximum number of directory level is 8, including the root directory. Maximum number of files and folders per disc is 256.
- The unit may not play tracks in the order of Track numbers.
- The unit plays only the audio tracks if a disc contains both audio tracks and MP3 files.
- When playing a disc of 8 kbps or “VBR”, the elapsed playing time in the display window will not be correct and also the intro play may not function properly. “VBR”: Variable Bit Rate.
- The unit supports the playback of WMA files. The playback of ID3 tags for WMA format is not guaranteed, it depends on versions and availability of Cyrillic alphabet.
- WMA (Windows Media Audio) – music data compression format, created by Microsoft Corporation. This format uses coding algorithm for compression of initial audio-record, greatly decreasing the file size, but, saving the good sound quality even when the bit rate is low (for example, 64 Kbit/s).
- Remember that the unit may not play the tracks in order they are written on disc.

### Notes on creating your own CD-Rs or CD-RWs containing MP3 files

- To enjoy high quality sound, we recommend converting to MP3 files with a sampling frequency of 44.1 kHz and a fixed bit rate of 128 kbps.
- DO NOT store more than 256 MP3 files per disc.
- For ISO 9660 - compliant format, the maximum allowable depth of nested folders is 8, including the root directory (folder).
- When CD-R disc is used, playback is possible only for discs, which have been finalized.
- Make sure that when MP3 CD-R or CD-RW is burned that it is formatted as a data disc and NOT as an audio disc.
- You should not write non-MP3 files or unneeded folders along with MP3 files on the disc otherwise it takes a long time until the unit starts to play MP3 files.
- With some CD-R or CD-RW media, data may not be properly written depending on their manufacturing quality. In this case, data may not be reproduced correctly. High quality CD-R or CD-RW disc is recommended.
- Up to 16 characters are displayed for the name of an Album or a Track. ID3TAG version 1.x is required.
- Note that the unit may not play Tracks in the order that you wrote them to the disc.

## System setup

Press SETUP button on the RC to display setup screen, use ◀/▶, ENTER buttons to select the desired item: System, Language, Audio, Video, Digital.

### System setup

#### TV system

Select the TV system in the setting menu (PAL or NTSC).

#### Screen saver

The screen saver appears if disc stop last more than 3 minutes.

Original setting: On. Video output mode

Original setting: INTERLACE-YUV.

#### TV type

Select TV type to watch wide screen movies.

*4:3 Pan Scan*: For 4:3 TV, left and right edges will be cut.

*4:3 Letter Box*: For 4:3 TV, black bars will appear on top and bottom.

*16:9*: For 16:9 wide screen TV.

#### Password

Original password is 0000.

#### Setting rating

The rating of the disc is from 1 to 8:

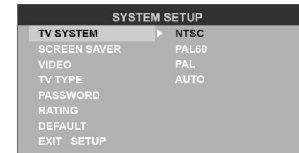
*1 (KID SAFE)* with the most limits when playing.

*8 (ADULT)* with the least limits when playing.

Original setting: 8

Note: The rating can be selected only under the password unlocked status, and the limits can be worked only under the password locked status.

Load default





If this item is selected, the unit will return to original setting.

### Language setup

Setting the on-screen display language

Select the language to be used for the on-screen display.

Setting the audio language

Select the language to be used for the audio. You can select a preferred audio from those included on the DVD video disk. (The screen on your player may have difference with the screen shown here)

Setting the subtitle language

Select the language to be used for the Subtitles. You can select a preferred subtitle from those included in the DVD Video disk.

(The screen on your player may have difference with the screen shown here)

Setting the menu language

Select the language to be used for the Menu. You can select a preferred audio from those included on the DVD video disk.

(The screen on your player may have difference with the screen shown here.)



### Audio setup

Audio output

Select digital output format.

*SPDIF/OFF*: There is no signal output from coaxial or optical output.

*SPDIF/RAW*: When the unit is connected with the amplifier by coaxial or optical connector, please select this mode.

*SPDIF/PCM*: When the unit is connected with the two-channel digital stereo amplifier, please select this mode.

Key. Select key up/down according to your preference.



Video setup

## Brightness.

Set the brightness of the video output with ▲/▼.

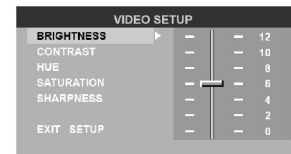
## Contrast

Set the contrast of the video output with ▲/▼.

Hue. Set the hue of the video output with ▲/▼.

Saturation. Set the saturation of the video output with ▲/▼.

Sharpness. Set the sharpness of the video output with ▲/▼.

Digital setup

## Output mode

Select the output mode:

LINE OUT: Compress the input signal. The volume is small.

RF REMOD: The volume is large.

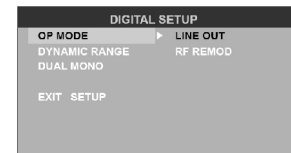
## Dynamic range

When you select the compressed mode as "line out", select it to adjust the compression proportion and get the different compressed effect.

When select FULL, the audio signal is minimum; when select OFF, the audio signal is maximum.

## Dual mono

Select the audio channel from STEREO, MONO L, MONO R and MIX MONO.



## Anti-theft system

### Remove the panel

1. Press POWER button to switch off the power of the unit.
2. Press OPEN button to flip down the panel.
3. Push the panel to the left and then pull it towards you.
4. Put it to the special box and take it with you.

### Remove the unit

1. Remove the panel and the trim plate.
2. Insert both T-Keys into hole on the front of the set until they lock.
3. Pull out the unit.

## Cleaning

### Discs holding

- Dirty, scratched or warped discs may cause skip ping or noise.
- Handle the disc only by the edges. To keep clean do not touch its surface.
- Discs should be stored in their cases after use to avoid scratches.
- Do not expose discs to direct sunlight, high humidity, high temperature or dust.
- Prolonged exposure to extreme temperature can warp the disc (such as leaving the discs in your car during summertime).
- Do not stick or write anything on either side of disc. Sharp writing instruments, or the inks used in some felt-tip pens, may damage its surface.
- DO NOT attach any seal, label or data protection sheet to either side of a disc.
- Cleaning.

### Discs cleaning

Fingerprints should be carefully wiped from the surface of disc with a soft cloth. Unlike conventional records, compact discs have no grooves to collect dust and macroscopic dirt, so gently wiping them with a soft cloth should remove most particles. Wipe in a straight motion from the center to the edge.

Never use thinner benzene, record cleaner or anti static spray on a compact disc. Such chemicals can damage its plastic surface.

### Cleaning the cabinet

Wipe with a soft cloth. If the cabinet is very dampen (not dropping wet) the cloth and then wipe clean.

## Troubleshooting guide

Symptom	Cause	Solution
No power.	The car ignition is not on. The fuse is blown.	If the power supply is properly connected to the car accessory switch the ignition key to "ACC". Replace the fuse.
Disc cannot be loaded.	Presence of disc inside the player.	Remove the disc in the player then put a new upward.
Disc cannot be read.	Inserting the disc in upside down. Compact disc is extremely dirty or defective. Temperature inside the car is too high.	Insert the compact disc with the label facing upward. Clean the disc or try to play a new one. Cool off until the ambient temperature returns to normal.
No sound.	Volume is in minimum. Wiring is not properly connected.	Adjust volume to a desired level. Check wiring connection.
The operation keys do not work.	Front panel is not properly fix into its place.	Press the RESET button or reinstall the front panel.
Sound skips.	The disc is extremely dirty or defective.	Clean the compact disc/try to play a new one.

The radio does not work.  
The radio station automatic selection does not work.

The antenna cable is not connected.  
The signals are too weak.

Insert the antenna cable firmly.  
Select a station manually.

## Specification

General. Power supply:	12V DC
Current consumption/Fuse:	10A & 1A
Maximum power output:	50Wx4 channels
Dimensions (W x H x D)	178 x 51 x 178 mm
Working temperature range:	-20°C - +60°C
FM Stereo Radio. Frequency range:	87.5 - 108.0 MHz
Usable sensitivity/ I.F. Frequency:	3 uV/ 10.7 MHz
AM Section. Frequency range:	522 kHz-1620 kHz
Disc player. Formats:	DVD/SVCD/VCD/MP4/MP3/WMA/CD/HDCD/DVD Audio/MPEG4/ DivX/ Picture-CD/Photo-CD/CD-R/CD-RW/DVD±R/JPEG
Video System/ Audio System	Standard NTSC/PAL / 24 bit/96 KHz
Loading System	Auto Loading
Mounting Angle	0 to +/-30
Video Specification. Video System	16:9 and 4:3
Video Output level	1.0Vp-p 75 ohms
Horizontal Resolution	500
Audio Specification. Maximum Output	2Vrms(+/-3dB)
Frequency Response	20 to 20KHz
S/N Ratio(A-vtd)/ Separation	60dB/ 50dB
Line out. Output:	CD max 1000 mV

Specifications are subject to change without notice. Mass and dimension are approximate.

## Уважаемый покупатель!

Благодарим Вас за покупку нашего изделия. Для обеспечения безопасности рекомендуется тщательно изучить настоящее руководство перед подключением, эксплуатацией и/или регулировкой изделия, и сохраняйте руководство для использования в будущем.

### Содержание

Содержание.....	40
Меры предосторожности.....	41
Установка/ подключение .....	43
Комплект поставки.....	49
Органы управления.....	50
Основные функции .....	56
Цифровой тюнер.....	59
Используемая терминология .....	64
Воспроизведение дисков .....	65
Операции с меню.....	74
Система защиты от кражи.....	81
Обращение с компакт-дисками .....	82
Руководство по исправлению неисправностей.....	84
Технические характеристики .....	85



## Меры предосторожности

- Тщательно изучите настоящую инструкцию, чтобы ознакомиться с высококачественной аудиосистемой.
- При установке и подключении изделия отключите отрицательную клемму аккумулятора автомобиля.
- При замене предохранителя убедитесь, что вы устанавливаете предохранитель с тем же номиналом.
- Не пытайтесь разбирать изделие. Лазерные лучи, исходящие из блока оптической головки считывания информации с компакт-диска, опасны для глаз.
- Не используйте устройство в местах, где оно может подвергнуться воздействию воды, влаги и пыли.
- Убедитесь, что шпильки или другие посторонние предметы не попали внутрь изделия. Они могут вызвать сбой в работе или стать причиной поражения током или лазерным лучом.
- Если вы ставите автомобиль на стоянку на длительное время в жаркое или холодное время года, подождите пока температура в автомобиле не станет нормальной, перед тем как включать изделие.
- Не открывайте крышки и не проводите ремонт самостоятельно. Обратитесь к дилеру или квалифицированному персоналу.
- Убедитесь, вы отключаете источник питания и антенну, если вы не будете пользоваться системой в течение длительного времени или во время грозы.
- Убедитесь, что вы отключаете источник питания, если обнаружена неправильная работа системы, система издает необычные звуки, запах, выделяет дым или внутрь ее попала жидкость. Проведите квалифицированный технический осмотр системы.

- Прибор разработан таким образом, чтобы отрицательный вывод аккумулятора был подключен к корпусу транспортного средства. Пожалуйста, убедитесь в этом перед установкой.
- Не позволяйте проводам динамиков касаться друг друга при включении прибора. В противном случае, может быть перегружен или выйти из строя усилитель питания.
- Не устанавливайте съемную панель перед подключением кабеля.

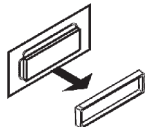
## Установка/ подключение

Сначала проведите электрические подключения, затем проверьте их правильность.

### Перед установкой

#### 1. **Извлеките старое устройство из приборной панели.**

- Удалите съемную рамку.
- Вставьте ключи, входящие в комплект устройства по обеим сторонам устройства до щелчка, как изображено на рисунке ниже. Потяните устройство, чтобы извлечь его. Не отсоединяйте электрические провода на этом этапе демонтажа!



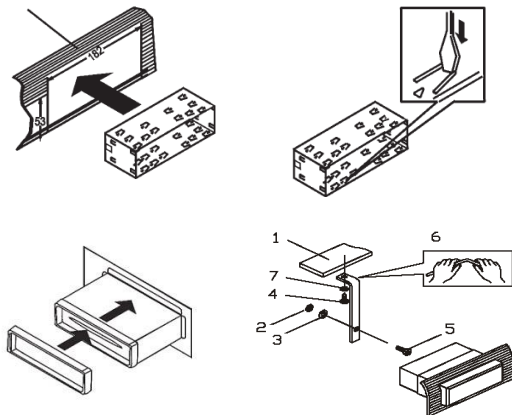
#### 2. **Пометьте полярность электрических соединений динамиков.**

Пометка полярности проводов динамиков поможет при подключении динамиков к Вашему новому устройству. Перед подключением ознакомьтесь со схемой электрических соединений.

- Когда старое устройство находится в статусе воспроизведения, отсоедините проводку одного из динамиков.
- Возьмите отрезок изоляционной ленты и обмотайте его вокруг отсоединенного провода в форме флажка.
- На флажке обозначьте полярность провода динамика (+ и -), а также расположение динамика (правый/левый/передний/задний).
- Повторите эту процедуру для остальных динамиков.
- Пометьте провода питания, заземления и др.

### Способ установки А

- После установки кожуха автомагнитолы в приборную панель автомобиля выберите на кожухе те металлические язычки, которые соответствуют толщине приборной панели, и отогните их, чтобы зафиксировать кожух на месте.
- Вставьте пальцы в паз передней панели и удалите ее.
- Вставьте рычаги, входящие в комплект, в пазы по обеим сторонам устройства. Таким образом, устройство может быть вставлено в приборную панель или удалено из нее.

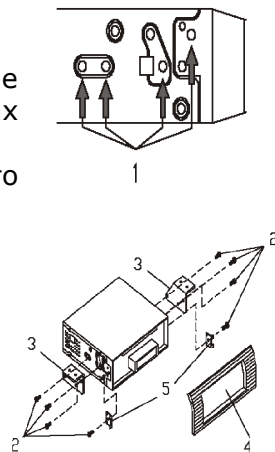


### Способ установки Б

Данный вариант установки предусматривает использование резьбовых отверстий, которые находятся на боковых панелях автомагнитолы.

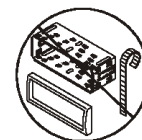
Закрепите автомагнитолу на крепежных кронштейнах штатного радиоприемника.

1. Выберите положение кронштейнов, при котором будут совмещены резьбовые отверстия на кронштейнах и резьбовые соединения на корпусе автомагнитолы. Закрепите кронштейны с обеих сторон автомагнитолы не менее чем в двух местах. Для этого используйте либо крепежные винты (5



х 8 мм), либо винты с потайной головкой (4 х 8 мм), в зависимости от типа резьбовых отверстий на кронштейне.

2. Винт.
3. Крепежные кронштейны штатного радиоприемника.
4. Приборная панель или консоль автомобиля.
5. Скоба (необходимо удалить).



**Примечание:**

При установке автомагнитолы по второму методу кожух, декоративная внешняя рамка и металлическая планка не используются.

**Работа со съемной панелью**

**Снятие съемной панели**

1. Нажмите на кнопку OPEN на панели. Панель опустится вниз (рис. 1).
2. Сдвиньте панель в левую сторону и вытяните ее на себя (рис. 2).

## Установка съемной панели

1. Держите панель так, чтобы ее лицевая сторона была направлена вниз. Установите левую нижнюю часть панели в кронштейн магнитолы (рис. 3).

**Внимание:** панель нужно установить точно в кронштейн.

2. Нажмите на панель в левую сторону, установите правую нижнюю часть магнитолы.
2. Поднимите панель. Нажмите на верхнюю часть панели, чтобы она защелкнулась.

### Внимание:

Не пытайтесь установить панель в правый кронштейн. Это может повредить устройство. Панель может повредиться из-за внешних факторов: тряски, ударов. После снятия ее с устройства держите панель в защитном футляре и старайтесь не ронять и не наносить физических повреждений.

Очень важным элементом является коннектор на задней части панели. Не нажимайте на него ногтями, ручками, отвертками.

### Примечание:

Если панель загрязнилась или запылилась, протрите ее сухой чистой тканью. Для чистки разъема в задней части панели используйте тампон, смоченный техническим спиртом.

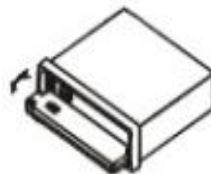


Рис. 1



Рис. 2

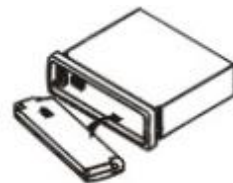
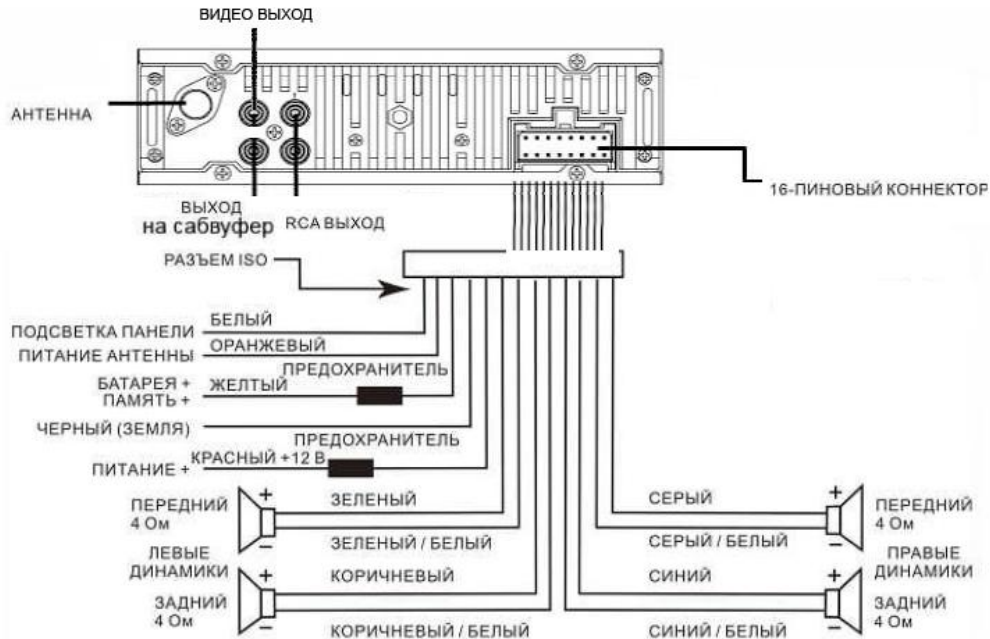


Рис. 3

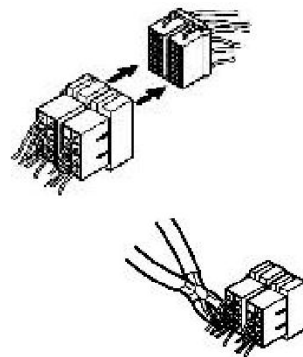
## Подключение динамиков



- Независимо от размера динамиков, следует использовать динамики с сопротивлением 4 Ом.
- Не допускайте короткого замыкания проводов динамиков на корпус головного устройства или автомобиля.

### Использование разъема ISO

1. Если в Вашем автомобиле есть разъем ISO, произведите подключение, как показано на рисунке.
2. Для подключений без разъемов ISO внимательно проверьте все провода перед подключением, неправильное подключение может привести к повреждениям изделия. Обрежьте разъем, подключите цветные головки разъема к шнуру питания батареи в соответствии с приведенной таблицей.



Номер	Функция	
	Разъем А	Разъем В
1		Задний правый(+)--Голубой
2		Задний правый(-)--Голубой/Белый
3		Передний правый(+)--Серый
4	Питание 12В (+)/желтый	Передний правый(-)--Серый/Белый
5	Авто антенна /синий	Передний левый(+)--Зеленый
6	Подсветка панели/белый	Передний левый((-)--Зеленый/Белый
7	АСС+/красный	Задний левый(+)--Коричневый
8	Земля/черный	Задний левый(-)--Коричневый/Белый

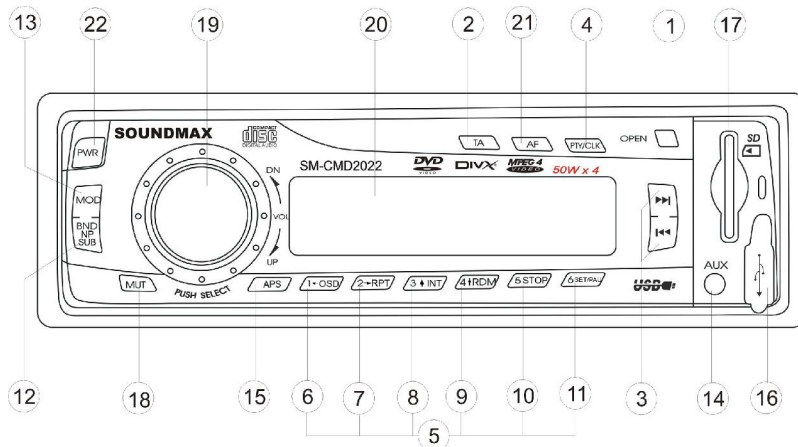


**Комплект поставки**

№	Наименование	штук
1	Шестигранная гайка М5 Т (3,5 мм)	1
2	Кожух (0,6 мм)	1
3	Левый ключ (1,0 мм)	1
4	Правый ключ (1,0 мм)	1
5	Металлическая пластина (0,8 мм)	1
6	ISO коннектор	1
7	Плоская шайба $\Phi=5$ мм	1
8	Короб	1
9	Внешняя рамка	1
10	Пружинная шайба $\Phi=5$ мм	2
11	Винт $\Phi 5 \times 5$ мм	4
12	Винт $\Phi 5 \times 25$ мм	1
13	Винт М5 $\Phi 5 \times 29,3$ мм	1
14	Информация для потребителя	1
15	Гарантийный талон	1
16	Инструкция по эксплуатации	1

## Органы управления

### Передняя панель



#### 1. КНОПКА OPEN

Нажмите ее, чтобы откинуть переднюю панель и иметь возможность вставить диск или нажать на кнопку EJECT для извлечения диска.

#### 2. КНОПКА TA

Нажмите на кнопку, чтобы активировать/ деактивировать функцию TA.

#### 3. Кнопки ⏪/⏩

В режиме диска нажимайте на кнопки для перехода к предыдущему/следующему треку. Нажмите и удерживайте для ускоренного воспроизведения назад/вперед.

В режиме радио нажимайте на кнопки для ручного поиска радиостанций. Нажмите и удерживайте для автоматического поиска радиостанций.

#### 4. КНОПКА RTY / CLK

Нажмите на кнопку, чтобы активировать/ деактивировать функцию RTY.

Нажмите и удерживайте, чтобы в режиме RDS отобразить на дисплее время.

5. КНОПКИ ПРЕДВАРИТЕЛЬНО УСТАНОВЛЕННЫХ СТАНЦИЙ (1-6)
6. Кнопка ◀/ OSD  
Используйте для перемещения влево по меню.  
Во время воспроизведения нажмите и удерживайте для отображения информации на дисплее.
7. Кнопка ▶/ RPT  
Используйте для перемещения вправо по меню.  
Во время воспроизведения нажмите и удерживайте для повторного воспроизведения.
8. Кнопка ▲/ INT  
Используйте для перемещения вверх по меню.  
Во время воспроизведения нажмите и удерживайте для воспроизведения первых 10 секунд каждого трека.
9. Кнопка ▼/ RDM  
Используйте для перемещения вниз по меню.  
Во время воспроизведения нажмите и удерживайте для воспроизведения в случайном порядке.
10. Кнопка STOP
11. Кнопка SET/PAU  
Нажмите для входа в системное меню.  
Во время воспроизведения нажмите и удерживайте для паузы.
12. Кнопка BAND / NP/ SUB  
В режиме BAND (Радио) нажимайте на эту кнопку, чтобы выбрать диапазон.  
Во время воспроизведения нажмите для выбора типа сигнала: NTSC => PAL => PAL60 => AUTO.  
Используйте данную кнопку для активизации выхода на Сабвуфер.
13. Кнопка MODE

Нажимайте на кнопку, чтобы выбрать режим: TUNER (Радио) => DISC (Диск) => USB/SD/MMC => AUX.

14. AUX вход

15. КНОПКА APS

Используйте данную кнопку для поиска трека.

В режиме радио используйте эту кнопку для сканирования предварительно сохраненных станций.

16. Разъем USB

17. Разъем для SD/MMC карты

18. КНОПКА MUTE

Нажмите на кнопку MUTE, чтобы выключить звук.

19. РЕГУЛЯТОР ГРОМКОСТИ/ КНОПКА SEL

Вращайте регулятор громкости по часовой стрелке, чтобы увеличить уровень громкости. Вращайте против часовой стрелки, чтобы понизить уровень громкости.

Нажмите на кнопку SEL, чтобы выбрать режим: VOL => BAS => TRE => BAL => FAD => LOUD => LOC => ST => EQ.

Вращайте регулятор громкости, чтобы отрегулировать каждую настройку.

20. ЖИДКОКРИСТАЛЛИЧЕСКИЙ ДИСПЛЕЙ

21. КНОПКА AF

Нажмите на кнопку, чтобы активировать/ деактивировать функцию AF.

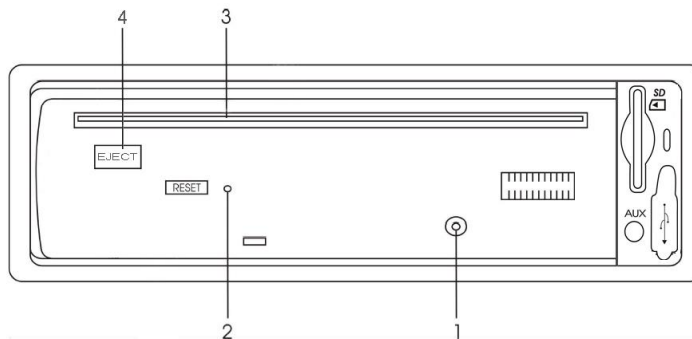
22. КНОПКА POWER

Нажмите на эту кнопку, чтобы включить устройство. Нажмите еще раз для его выключения.

## Внутренняя панель

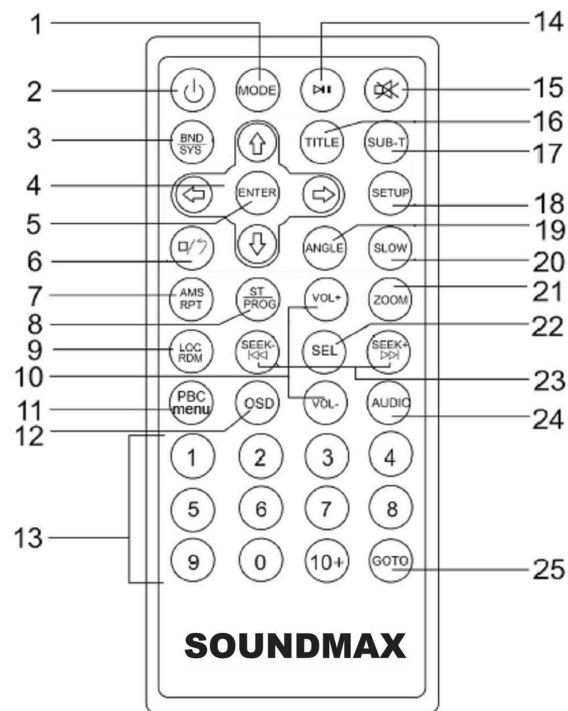
Нажмите на кнопку OPEN, чтобы откинуть переднюю панель.

1. LED индикатор
2. Кнопка RESET
3. Слот для диска
4. Кнопка EJECT



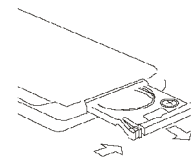
## Пульт управления

1. Кнопка MODE
2. Кнопка POWER
3. Кнопка BND/SYS
4. Кнопки курсора
5. Кнопка ENTER
6. Кнопка STOP/REVERSE
7. Кнопка AMS/RPT
8. Кнопка ST/PROG
9. Кнопка LOC/RDM
10. Кнопки VOL +/-
11. Кнопка PBC
12. Кнопка OSD
13. Кнопки с цифрами
14. Кнопка PLAY/PAUSE
15. Кнопка MUTE
16. Кнопка TITLE
17. Кнопка SUB-T
18. Кнопка SETUP
19. Кнопка ANGLE
20. Кнопка SLOW
21. Кнопка ZOOM
22. Кнопка SEL
23. Кнопка SEEK +/- / ⏮/⏭
24. Кнопка AUDIO
25. Кнопка GOTO



**Замена батарей в пульте управления:**

1. Откройте отсек для батарей в направлении, указанном стрелкой.
2. Замените старую батарею на новую (CR 2025 3V), соблюдая полярность. Закройте отсек для батарей.



## Основные функции

### **Кнопка RESET (сброс)**

Нажмите на панели на кнопку OPEN. Нажмите на кнопку сброса RESET, расположенную за передней панелью.

Эта мера необходима в следующих ситуациях: исходная установка устройства после подключения, никакие кнопки не действуют, символы ошибок появляются на дисплее.

### **Кнопка включения**

Нажмите на кнопку POWER, чтобы включить устройство.

Нажмите на кнопку POWER и удерживайте в течение 3 секунд, чтобы выключить питание.

**Внимание:** Когда Вы выключаете систему или зажигание автомобиля, время, громкость звука и радио настройки будут сохранены в памяти устройства, и при включении установки вернуться к сохраненным значениям.

### **Регулировка звука**

Вращайте регулятор громкости по часовой стрелке, чтобы увеличить уровень громкости.

Вращайте против часовой стрелки, чтобы понизить уровень громкости.

Или используйте кнопки VOL+/- на ПДУ для настройки громкости звука.

### **Выключение звука**

Когда питание магнитолы включено, нажмите на кнопку MUTE, чтобы выключить звук.

Нажмите на кнопку еще раз, чтобы включить звук.

### **Выбор режима**



Нажимайте на кнопку MODE, чтобы выбрать режим работы устройства: AUX => RADIO => DISK => USB => CARD (индикация носителей будет отображаться, если они вставлены в магнитолау).

**Примечание:** режимы USB, CARD, DISK будут отображены на дисплее только тогда, когда соответствующий носитель будет установлен в слот.

### **Регулятор сабвуфера**

Нажмите и удерживайте кнопку BAND/ SUB, чтобы включить режим выхода на сабвуфер.

### **Регулировка аудио настроек**

Нажмите на кнопку SEL на передней панели или на ПДУ, чтобы выбрать режим: VOL (громкость) => BAS (низкие частоты) => TRE (высокие частоты) => BAL (баланс левые/ правые динамики) => FAD (баланс задние/ передние динамики) => LOUD (громкость басов) => LOC (локальные/удаленные станции) => ST (стерео/моно) => EQ (эквалайзер).

Вращайте регулятор громкости или нажимайте на кнопку VOL +/- на ПДУ, чтобы отрегулировать каждую настройку:

- VOLUME: 00, 02, ....., 38, 39
- BASS/TREBLE: -7, -6, ....., 0, +1, +2, ....., +6, +7
- BALANCE: 7L, 6L, ....., L=R, 1R, ....., 7R
- FADER: 7R, 6R, ....., R=F, 1F, ....., 7F
- LOUD: ВКЛ/ВЫКЛ
- LOC: ВКЛ (Локальные) / ВЫКЛ (Удаленные)
- ST: СТЕРЕО / МОНО
- EQ: CLASS, POP, ROCK, FLAT, OFF

**ВНИМАНИЕ:** Каждая настройка отображается на дисплее в течение 5 секунд. Если в течение этих 5 секунд ни одна кнопка не была нажата, дисплей вернется в обычный режим.

### **Установка и отображение часов**

В режиме радио нажмите и удерживайте в течение 3 секунд кнопку PTY/CLK, чтобы войти в режим установки времени. Вращайте регулятор громкости по часовой стрелке, чтобы выставить часы. Коротко нажмите на SEL для перехода в режим установки минут. Вращайте против часовой стрелки, чтобы выставить минуты.

Еще раз нажмите на кнопку PTY/CLK, чтобы сохранить настройки или через 5 секунд устройство автоматически вернется к текущему режиму.

## Цифровой тюнер

**Примечание:** Сервис RDS (Система радио данных) доступен не во всех регионах. Имейте в виду, что если услуга RDS не доступна в Вашем регионе, то данная функция не будет работать.

### **Выбор диапазона**

Нажимайте на кнопку BAND/NP/SUB на передней панели или BND/SYS на ПДУ, чтобы выбрать диапазон: FM1, FM2, FM3, AM1, AM2.

### **Ручной/ автоматический поиск радиостанций**

- Автоматический поиск: Нажмите и удерживайте в течение 2 секунд кнопки «**◀/▶**» на панели или кнопки поиска SEEK +/- на ПДУ, чтобы начать автоматический поиск. Поиск прекратится при приеме первой станции с сильным сигналом, при этом начнется ее воспроизведение. Нажмите еще раз, чтобы найти следующую станцию.
- Ручной поиск: Нажмите на кнопки «**◀/▶**» на панели или кнопки поиска SEEK +/- на ПДУ, чтобы вручную уменьшить или увеличить частоту.

### **Сохранение и вызов радио станций**

Вы можете хранить и воспроизводить 6 радио станций в каждом из 5 поддиапазонов.

Чтобы сохранить станцию:

- Выберите диапазон (если нужно).
- Выберите станцию при помощи кнопок << -/ >> + или кнопок поиска SEEK +/- на ПДУ.
- Нажмите и удерживайте в течение двух секунд кнопку с номером 1~6, под которым Вы бы хотели сохранить эту станцию.

Чтобы вызвать станцию:

- Выберите диапазон (если нужно).
- Нажмите на кнопку с номером нужной сохраненной станции 1~6.

## **Функция автоматического сохранения станций в памяти**

**Прослушивание сохраненных станций:** Нажмите на кнопку APS на панели или AMS/RPT на ПДУ, чтобы прослушать все сохраненные в текущем диапазоне станции в течение 5 секунд. Чтобы остановить прослушивание, снова нажмите на кнопку APS на панели или AMS/RPT. Для прослушивания сохраненных станций нажмите кнопки 1-6.

**Автоматическое сохранение:** Нажмите и удерживайте кнопку APS на панели или AMS/RPT на ПДУ более 2 секунд, 6 самых сильных доступных станций будут автоматически сохранены в памяти кнопок 1~6. Чтобы остановить автоматическое сохранение, снова нажмите на кнопку APS на панели или AMS/RPT на ПДУ.

### **Выбор режима аудио**

Нажимайте на кнопку ST/PROG на ПДУ для выбора режима МОНО или СТЕРЕО.

ИЛИ нажимайте на кнопку SEL на передней панели или на ПДУ, чтобы выбрать режим ST. Вращайте регулятор громкости или нажимайте на кнопку VOL +/- на ПДУ, чтобы выбрать STEREO или MONO. Нажимайте на кнопку SEL, чтобы выйти из настроек.

### **Контроль местного/удаленного приема**

Нажимайте на кнопку SEL на передней панели или на ПДУ, чтобы выбрать режим LOC (функция приема местных или региональных радиостанций). Вращайте регулятор громкости или нажимайте на кнопку VOL +/- на ПДУ, чтобы включить функцию (LOC ON) или выключить ее (LOC OFF). Нажимайте на кнопку SEL, чтобы выйти из настроек.

Или в режиме радио нажмите кнопку LOC/RDM на ПДУ для выбора местного или удаленного приема.

Данная функция позволяет улучшать прием станций в зависимости от места нахождения автомобиля.

**Функция AF (Альтернативные частоты)**

При слабом сигнале функция Альтернативных частот позволяет приемнику настраиваться на другие станции с тем же идентификационным кодом, что и текущая станция, но с более сильным сигналом. При этом вместо частоты на дисплее появится название станции.

В режиме радио нажмите на кнопку AF на панели для выбора (ON) или (OFF), чтобы включить или выключить функцию AF. При включенном режиме AF радио постоянно проверяет силу сигнала альтернативных частот, на которых может транслироваться RDS программа. Если сигнал слабый или исчезает, тюнер будет автоматически искать другую частоту с этой программой.

Если RDS служба не доступна в Вашей местности, выключите режим AF. По умолчанию установлен режим ON (вкл.).

### **Функция TA (поиск программ о дорожном движении)**

В режиме радио нажмите на кнопку TA на панели для выбора (ON) или (OFF). Начнется автоматический поиск программ дорожного движения вне зависимости от текущего режима. Когда программа будет найдена, начнется ее трансляция. Когда программа закончится, магнитола вернется к текущему режиму.

### **ФункцияPTY (Тип программы)**

FM-станции, поддерживающие RDS, передают идентифицирующий сигнал типа программы.

В режиме радио нажмите кнопку PTY/CLK, чтобы выбрать функцию PTY.

При включенной функции PTY приемник начинает поиск соответствующего типа программы. И останавливается, когда программа найдена. Если в течение 2 секунд ни одна программа не была выбрана, приемник настроится на предыдущую программу. Если за один цикл нужный тип программы не найден, приемник вернется к текущему режиму.

Нажмите и удерживайте кнопку SEL в течение 2 секунд, чтобы войти в меню. Нажимайте эту кнопку, чтобы выбрать нужный пункт меню: TA SEEK/ALARM => RETUNE L/S => MASK DP/IALL.

### **TA (программы о дорожном движении)**

Функция TA определяет поведение радиоприемника при включенном режиме TA, если в течение 5 секунд отсутствует передача информации TP (программа движения) радиостанцией, на которую в данный момент настроен радио приемник. Вращайте регулятор VOL, чтобы выбрать один из режимов: TA SEEK или TA ALARM. TA SEEK: Если радиоприемник настраивается на радиостанцию, которая не передает информацию TP

(Traffic Program – программы с информацией о дорожном движении) в течение определенного времени - RETUNE SHORT (30 секунд) или RETUNE LONG (90 секунд), радиоприемник перенастраивается на следующую станцию, которая не имеет тот же PI (код идентификации программы), что и предыдущая радиостанция, но передает информацию TP.

TA ALARM: Когда выбран данный режим, функция автоматической перенастройки радиоприемника не работает. Вместо этого радиоприемник включает звуковое оповещение.

RETUNE

Retune-S или Retune-L – это выбор временного интервала повторного поиска в режиме TA Seek.

RETUNE S: короткий, интервал поиска в режиме TA SEEK 30 секунд.

RETUNE L: длинный, интервал поиска в режиме TA SEEK 90 секунд.

Примечание: Режим Retune для режима TA активен только для TA SEEK.

MASK

Если автомобиль перемещается в критической зоне, может появиться эффект частого переключения между двумя разными радиостанциями. Радиоприемник устройства имеет специальную процедуру, направленную на снижение данного эффекта.

Радиоприемник в таком случае прекращает искать альтернативную частоту AF в течение некоторого времени. В этой ситуации радиоприемник будет маскировать сигнал ошибочно принимаемой радиостанции, в зависимости от выбранного режима: MASK DPI или MASK ALL.

Вращайте регулятор VOL, чтобы выбрать один из режимов:

MASK DPI:

Маскирует только альтернативные частоты с разными информационными программами.

MASK ALL:

Маскирует и информационные программы, и станции, не поддерживающие RDS.

## Используемая терминология

### PBC (управление воспроизведением)

Управление воспроизведением – это меню, записанное на видео компакт-дисках. Использование экранного меню видео компакт-диска с PBC, позволяет Вам пользоваться простыми интерактивными программами с функциями поиска. Вы также можете просматривать неподвижные изображения с высоким разрешением.

### Раздел

Большой объем диска позволяет записывать несколько фильмов или роликов. Например, если 1 диск содержит 3 разных фильма (ролика), они подразделяются как Раздел 1, Раздел 2 и Раздел 3. Это позволяет Вам пользоваться удобными функциями поиска.

### Глава

Любой раздел может состоять из отдельных блоков, каждый из которых можно просматривать отдельно. Такой блок называется главой. В каждой главе должно содержаться не меньше одного трека.

### Трек

Трек – это дорожка, музыкальная или видео композиция. Например, песня, записанная на диске, является треком.



## Воспроизведение дисков

### Диски для воспроизведения

- Это устройство может воспроизводить разновидности цифровых дисков: CD/DVD/CDDA/CD-R/-RW/DVD±R/±RW.
- Совместимо с форматами: DVD-video, SVCD/VCD/HDCD/MP3/MP4/WMA/ Picture-CD/JPEG/ DivX/MPEG4.
- Поддерживаются следующие типы файлов:
  - Аудио файлы: MP3 (\*.mp3)  
WMA (\*.wma)
  - Видео файлы: MP4 (\*.avi, DIVX3.11/4.0/5.0/6.0 and XVID)  
MPEG 2(\*.vob)  
MPEG 1(\*.dat)
  - Файлы с изображениями: JPEG (\*.jpg)
- ISO 9660 или ISO 9660 + формат Joliet - максимум 30 знаков.
- Максимальное число треков – 448.
- Максимальное число вложений - 8 уровней.
- Максимальное число альбомов – 99.
- Максимальная длина каждого трека - 99 минут 59 секунд.
- Поддерживаемая частота дискретизации для MP3 диска: от 8 кГц до 48 кГц (предпочтительно 44,1 кГц).
- Поддерживаемые скорости цифрового потока MP3 диска: 32 - 320 Кб/сек (предпочтительно 128 Кб/сек).
- НЕ ПОДДЕРЖИВАЮТСЯ следующие форматы: \*.ACC, \*.DLF, \*.M3U, \*.PLS, MP3 PRO, файлы с DRM.
- Диски с открытой сессией записи НЕ ПОДДЕРЖИВАЮТСЯ.

**Примечания по USB/ SD/ MMC разъемам**

Воспроизведение MP3 файлов с USB карт (флеш-память).

Поддержка карт памяти SD/ MMC, 2в1 (SD/MMC).

Поддержка USB флеш-карты.

Поддержка FAT 12/ FAT 16/ FAT 32

- FAT 12/ 16 (поддержка 200 папок, 500 файлов),
- FAT 32 (поддержка 200 папок, 500 файлов).

Имя файла: 32 байта/ имя папки: 32 байта.

- Тэг (id3tag ver 2.0)

Имя/ Исполнитель/ Альбом: поддержка 32 байтов.

Многофункциональный карт-ридер НЕ ПОДДЕРЖИВАЕТСЯ.

Поддержка формата USB 2.0.

**Примечание:**

USB: Поддержка формата USB 2.0. Емкость: 8 Мб ~ 1 Гб.

SD: Поддержка брендов SD карт памяти: Cannon, Fuji film, Palm, Motorola, Microsoft, IBM, HP, Compaq, Sharp, Samsung, и т. д. Емкость: 8 Мб ~ 1 Гб.

MMC: Поддержка брендов MMC карт памяти: Ericsson, Nokia, Motorola, HP, Palm, Sanyo, Microsystems, и т.д. Емкость: 16 Мб ~ 1 Гб.

**Установка USB/ SD карты**

Снимите крышку с USB порта, затем установите USB карту в соответствующее устройство на передней панели. Устройство автоматически переключится на режим USB. Или нажмите на кнопку MODE, чтобы выбрать USB. Воспроизведение начнется с первого трека установленного устройства.

Вставьте SD/MMC карту в слот.

### **Воспроизведение/ Пауза**

- Когда диск в устройстве, нажмите на кнопку PLAY/ PAUSE на ПДУ, чтобы начать воспроизведение. Чтобы обеспечить высокое качество воспроизведения, дождитесь, пока плеер закончит читать диск, а затем начинайте воспроизведение.
- Во время воспроизведения нажмите на кнопку PLAY/PAUSE, режим паузы активируется. Нажмите на кнопку PLAY/PAUSE еще раз, чтобы продолжить воспроизведение.

### **Остановка воспроизведения**

Во время воспроизведения нажмите на кнопку STOP на передней панели или на STOP/REVERSE на ПДУ, чтобы остановить воспроизведение.

### **Переход к предыдущему или следующему треку**

- Нажмите во время воспроизведения на кнопку «⏮» на ПДУ или на панели, чтобы начать воспроизведение предыдущего трека.
- Нажмите во время воспроизведения на кнопку «⏭» на ПДУ или на панели, воспроизведение начнется со следующего трека.

### **Ускоренное воспроизведение вперед или назад**

Во время воспроизведения нажмите и удерживайте кнопки «⏮/⏭» на ПДУ или на панели, чтобы начать ускоренное воспроизведение назад или вперед. Отпустите кнопку, когда нужный фрагмент будет найден.

### **Воспроизведение в замедленном режиме**

1. В режиме DVD, VCD нажимайте на кнопку SLOW на ПДУ для замедленного воспроизведения со скоростями: 1/2, 1/3, 1/4, 1/5, 1/6, 1/7, нормальный.
2. Нажмите кнопку ENTER для отмены замедленного воспроизведения.

### **Повтор воспроизведения**

Во время воспроизведения трека нажмите на кнопку RPT на передней панели или на AMS/RPT на ПДУ, чтобы начать его повторное воспроизведение. Нажмите еще раз, чтобы отменить функцию повтора.

### **Случайное воспроизведение**

Во время воспроизведения трека нажмите на кнопку RDM на передней панели или на LOC/RDM на ПДУ, чтобы начать случайное воспроизведение всех треков. Нажмите еще раз, чтобы отменить функцию.

### **Функция Intro**

Вы можете последовательно воспроизводить начало каждого трека в течение 10 секунд.

Во время воспроизведения треков нажмите на кнопку INT, чтобы начать воспроизведение всех треков.

Нажмите еще раз, чтобы отменить функцию.

### **Отображение информации на дисплее**

Нажмите кнопку OSD на ПДУ. На дисплее отобразится номер текущего раздела/ всего разделов на диске, номер текущей главы/ всего глав на диске, время воспроизведения.

### **Изменение масштаба изображения**

Нажмите на кнопку ZOOM на ПДУ. Изображение при каждом нажатии будет увеличиваться в порядке: X2, X3, X4, 1/2, 1/3, 1/4, выкл.

### **Выбор языка аудио**

Нажимайте на кнопку AUDIO на ПДУ, чтобы выбрать язык аудио (если DVD диск поддерживает несколько языков).

### **Изменение угла (Только для DVD дисков)**

Если DVD-диск поддерживает воспроизведение с различных точек съемки, нажмите на кнопку ANGLE на ПДУ для воспроизведения изображений с различных точек съемки. Если диск не поддерживает много- угловое воспроизведение, эта функция не будет

работать. Если в течение 1 секунды не будут выполнены никакие операции, описание точек съемки исчезнет.

### **Изменение языка субтитров**

Только для DVD дисков.

1. Нажимайте кнопку SUBTITLE на ПДУ для переключения среди поддерживаемых диском языков. Если диск поддерживает только один язык субтитров, функция не будет работать.
2. Нажмите на кнопку ENTER, чтобы подтвердить настройку.

### **Поиск разделов (Только для DVD дисков)**

1. Нажмите на кнопку TITLE на ПДУ, на дисплее появится список разделов или глав диска.
2. При помощи кнопок курсора или кнопок с цифрами выберите нужный пункт.
3. Нажмите на кнопку ENTER. Плеер начинает воспроизводить выбранный раздел/ главу.

### **PBC (Управление воспроизведением)**

Только для VCD дисков.

Если вы вставляете VCD с функцией PBC, автоматически начинается воспроизведение с начала 1-ого трека.

2. Нажмите на кнопку PBC на ПДУ, чтобы во время воспроизведения активизировать интерактивное меню на экране.
3. Если меню состоит из списка разделов, Вы можете непосредственно выбирать последовательность их воспроизведения при помощи кнопок со стрелками и кнопок с цифрами – для ввода номеров разделов.
4. При вводе номера воспроизведение начнется автоматически, при выборе раздела нажмите на кнопку ENTER, чтобы начать его воспроизведение.
5. Нажмите STOP на пульте ДУ, чтобы возвратиться к меню диска VCD.
6. Снова нажмите PBC, чтобы выйти из меню.

### **Функция поиска GOTO**

Используйте эту кнопку для выбора раздела, главы или времени, с которого Вы ходите начать воспроизведение.

Во время воспроизведения нажмите на кнопку GOTO на пульте ДУ, чтобы открыть меню поиска.

**Для VCD** нажмите на кнопку GOTO, чтобы открыть меню поиска по времени. Нажимайте на кнопки с цифрами, чтобы ввести время, с которого Вы хотите начать воспроизведение (чч:мм:сс). Например, чтобы ввести время 18 ч 20 м 00 с, вводите цифры: 1 => 8 => 2 => 0 => 0 => 0. Нажмите на ENTER на ПДУ, чтобы начать воспроизведение.

**Для DVD** нажмите на кнопку GOTO, чтобы открыть меню поиска.

При помощи кнопок с цифрами введите номер нужного трека или раздела. Например, для ввода номера раздела 234, вводите цифры: 2 => 3 => 4. Нажмите на ENTER, чтобы начать воспроизведение.

Или нажмите на кнопку курсора на ПДУ, чтобы перейти к выбору номера главы.

При помощи кнопок с цифрами введите номер нужной главы. Нажмите на ENTER, чтобы начать воспроизведение.

Или нажмите на кнопку курсора на ПДУ, чтобы перейти к поиску по времени. Нажимайте на кнопки с цифрами, чтобы ввести время, с которого Вы хотите начать воспроизведение (чч:мм:сс). Например, чтобы ввести время 18 ч 20 м 00 с, вводите цифры: 1 => 8 => 2 => 0 => 0 => 0. Нажмите на ENTER на ПДУ, чтобы начать воспроизведение.

### **Программирование воспроизведения**

Во время воспроизведения нажмите кнопку ST/PROG button на ПДУ для входа в меню программирования. С помощью кнопок со стрелками на ПДУ выберите последовательность воспроизведения треков.

### **Выбор типа ТВ (для DVD/VCD)**

Нажмите кнопку PN/ SUB/ BAND на панели для выбора типа ТВ: NTSC => PAL => PAL60 => AUTO.

## Примечания по MP3 и WMA

- MP3 это краткое обозначение аудио слоя MPEG 3 и относится к стандарту технологии сжатия звука.
- Данное изделие позволяет воспроизводить файлы MP3 на дисках CD-ROM, CD-R или CD-RW.
- Изделие может считывать файлы MP3, записанные в формате, соответствующем ISO 9660. Однако оно не поддерживает данные MP3, записанные методом пакетной записи.
- Изделие не может считывать файлы MP3, которые имеют расширение файла, отличающееся от ".mp3".
- Если вы воспроизводите не MP3 файл, который имеет расширение ".mp3", вы можете слышать некоторые шумы.
- В данном руководстве мы рассматриваем файлы, называемые "файлами MP3" и "папкой", а в технологии PC "дорожкой" и "альбомом" соответственно.
- Максимальное количество уровней директории равно 8, включая корневую директорию. Максимальное количество файлов и папок на диске 256.
- Изделие может не воспроизводить дорожки в последовательном порядке.
- Изделие воспроизводит только аудио треки, если диск содержит как аудио треки, так и файлы MP3.
- При воспроизведении диска 8 килобит или VBR, истекшее время воспроизведения в окне дисплея будет неправильным, а также ознакомительное воспроизведение может не действовать надлежащим образом. VBR: Переменная скорость передачи битов.
- Устройство поддерживает воспроизведение WMA файлов. Воспроизведение ID3 тегов для формата WMA не является гарантированным, так как это зависит от версий и наличия кириллицы.



- WMA (Windows Media Audio) – формат сжатия музыкальных данных, созданный Microsoft Corporation. Формат использует алгоритмы кодирования для сжатия исходной аудиозаписи, значительно уменьшая размеры файла, но, сохраняя хорошее качество звука даже при низких (например, 64 Кбит/сек) скоростях передачи данных (битрейтах).
- Помните, что изделие может не воспроизводить треки в том порядке, в котором они записаны на диске.

**Примечание по созданию собственных CD-R или CD-RW, содержащих файлы MP3**

- Для получения высокого качества звука мы рекомендуем преобразовывать файлы MP3 с эталонной частотой 44,1 кГц и фиксированным битрейтом 128 кбит/сек. НЕ сохраняйте более 256 файлов MP3 на диске.
- Для формата, совместимого с ISO 9660, максимально допустимая глубина вложенных папок равняется 8, включая корневую директорию (папку).
- При использовании диска CD-R воспроизведение возможно только для дисков, на которых закрыта сессия. Убедитесь, что при записи MP3 CD-R или CD-RW были отформатированы как диски данных, а НЕ как аудио диски.
- Не рекомендуется записывать не-MP3 файлы или ненужные папки вместе с файлами MP3 на диск, в противном случае потребуется много времени, пока изделие начнет воспроизводить файлы MP3.
- На некоторых CD-R или CD-RW данные могут быть записаны особым образом. В этом случае данные могут быть воспроизведены не надлежащим образом. Рекомендуются диски CD-R или CD-RW высокого качества.
- Имя альбома или композиции может содержать до 16 символов. Необходима версия 1.x ID3TAG.
- Помните, что изделие может не воспроизводить треки в том порядке, в котором они записаны на диске.

## Операции с меню

Нажмите кнопку SETUP на пульте дистанционного управления, чтобы отобразить экран установки, используйте кнопки ▲/▼ и ENTER, чтобы выбрать требуемый пункт:

Системные установки, Установка языка, Установка аудио, Установка видео, Цифровые установки.



### Системные установки

#### **ТВ система**

Выберите пункт меню "ТВ система".



#### **Скринсейвер**

Скринсейвер появляется через 3 минуты после остановки диска.

Исходная установка: Включено.



## Видео

Исходная установка: INTERLACE-YUV.



## ТВ режим

Выберите режим экрана для просмотра широкоэкранных фильмов.

**4:3 PS:** Для размера экрана 4:3. Края изображения будут обрезаны.

**4:3 LB:** Для размера экрана 4:3, сверху и снизу изображения появятся черные полосы.

**16:9:** Для размера экрана 16:9.



## Пароль

Исходный пароль 0000.



## Рейтинг

Рейтинг диска от 1 до 8:

(1) С большим количеством ограничений.

(8) С маленьким количеством ограничений.

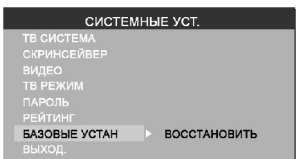
Исходный рейтинг: 8

**Внимание:** Вы можете установить рейтинг только при выключенной функции пароля, ограничения будут действовать только при включенной функции пароля.



## Базовые установки

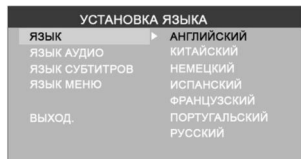
Если выбран этот режим, телевизор вернется к исходным установкам.



## Установка языка

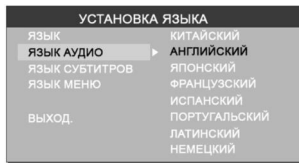
### Язык

Выберите язык экранного меню.



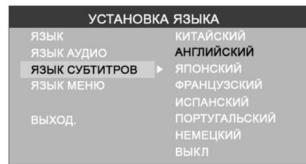
## Язык аудио

Выберите язык аудио. Вы также можете выбрать язык из предложенных на DVD диске. (Экран Вашего проигрывателя может отличаться от приведенного нами).



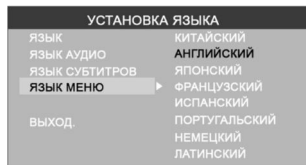
## Язык субтитров

Выберите язык субтитров. Вы также можете выбрать язык субтитров из предложенных на DVD диске. (Экран Вашего проигрывателя может отличаться от приведенного нами).



## Язык меню

Выберите язык меню. Вы также можете выбрать язык аудио из предложенных на DVD диске. (Экран Вашего проигрывателя может отличаться от приведенного нами).



## Установка аудио

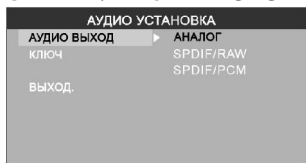
### **Аудио выход**

Выберите формат аудио выхода.

**АНАЛОГ:** Отсутствует выходной сигнал коаксиального или оптического выхода.

**SPDIF/ RAW:** Телевизор соединен с усилителем при помощи коаксиального или оптического кабеля.

**SPDIF/ PCM:** Телевизор соединен с двухканальным усилителем аудио системы.



### **Ключ**

Настройте уровень звучания при помощи кнопок ▲/▼.



## Настройки видео

### **Яркость**

Настройте яркость изображения при помощи кнопок ▲/▼.



## Контрастность

Настройте контрастность изображения при помощи кнопок ▲/▼.



## Оттенок

Настройте оттенок изображения при помощи кнопок ▲/▼.



## Насыщенность

Настройте насыщенность изображения при помощи кнопок ▲/▼.



## Резкость

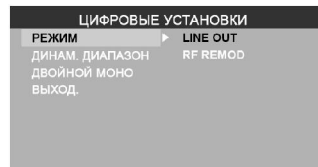
Настройте резкость изображения при помощи кнопок ▲/▼.



Выберите режим выходного сигнала:

LINE OUT: Сжатие входного сигнала. Низкий уровень громкости.

RF REMOD: Высокий уровень громкости.



## Динамический диапазон

Если Вы выбрали режим сжатия "line out", выберите этот пункт, чтобы установить пропорции сжатия и получить другой эффект.

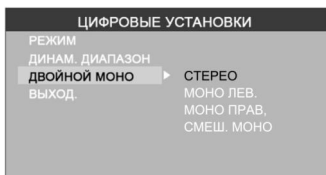
При выборе пункта "Full", аудио сигнал будет минимальным, при выборе "Off", аудио сигнал будет максимальным.





## Двойной моно

Выберите канал аудио сигнала: Стерео, Моно левый, Моно правый, Смешанный моно.



## Система защиты от кражи

### Снятие панели

1. Нажмите на кнопку POWER, чтобы выключить питание устройства.
2. Нажмите на кнопку OPEN, чтобы снять панель.
3. Нажмите на панель в левую сторону и вытяните ее правую сторону на себя.
4. Положите панель в специальный футляр и возьмите его с собой, когда будете покидать машину.

### Съем изделия

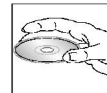
1. Снимите панель.
2. Вставьте два Т-образных ключа в отверстие лицевой стороны, пока не услышите щелчок.
3. Выньте изделие.

## Обращение с компакт-дисками

- Грязные, поцарапанные или погнутые диски могут вызвать искажение звука или шумы.
- Держите диск только за края (как показано на рисунке). Чтобы обеспечить чистоту, не прикасайтесь к его поверхности.
- Диски должны храниться в их чехлах после использования, чтобы не поцарапать их поверхность.
- Не подвергайте диски действию прямого солнечного света, повышенной влажности, повышенным температурам или действию пыли.
- Продолжительное влияние предельных температур может изогнуть диск (например, пребывание дисков в автомобиле в летнее время).
- Не царапайте и не пишите что-либо на любой стороне диска. Острые пирующие инструменты или чернила, используемые в них, могут повредить поверхность диска.
- НЕ ПРИКАСАЙТЕСЬ к стороне, не имеющей маркировки.
- НЕ ПРИКРЕПЛЯЙТЕ какую-либо печать, этикетку или лист предохранения данных к любой стороне диска.
- Данное изделие не может воспроизводить CD размером 3 дюйма (8 см).
- Никогда не вставляйте CD размером 3 дюйма, установленный в адаптер, или CD неправильной формы. Изделие не сможет выбросить его, что приведет к сбою.

### Чистка корпуса

Протирайте мягкой тканью. Если корпус очень загрязнен (не мочите его), используйте ткань, слегка смоченную мыльным раствором, и затем вытрите его сухой тканью.



### **Чистка дисков**

- а) Отпечатки пальцев должны быть тщательно стерты с поверхности диска мягкой тканью. В отличие от обычных пластинок, компакт-диски не имеют канавок для сбора пыли и микроскопических частиц грязи, поэтому осторожно вытирайте их мягкой тканью, чтобы убрать частицы грязи. Вытирайте прямолинейным движением от центра к краю.
- б) Никогда не используйте растворитель, бензин, очиститель пластинок или антистатический аэрозоль для чистки дисков. Такие химические вещества могут повредить его пластиковые поверхности.

## Руководство по исправлению неисправностей

Неисправность	Причина	Решение
Нет питания	Зажигание машины не включено.  Сгорел предохранитель.	Если источник питания подключен надлежащим образом к выключателю машины, установите ключ зажигания в положение "АСС". Замените предохранитель.
Невозможно загрузить диск	В плеер установлен диск.	Удалите диск из плеера, затем установите новый.
Невозможно считать диск	Диск установлен верхней стороной вниз. Диск загрязнен или имеет дефект. Температура внутри машины очень высокая.	Установите компакт диск стороной с этикеткой вверх. Очистите диск или установите новый. Подождите, пока температура не станет нормальной.
Нет звука	Звук установлен на минимум. Кабель не подключен надлежащим образом.	Отрегулируйте звук до необходимого уровня. Проверьте подключение кабеля.
Не действуют функциональные кнопки	Передняя панель не установлена на свое место.	Нажмите кнопку RESET или повторно установите переднюю панель.
Звук пропадает	Угол установки более 30 градусов. Диск загрязнен или имеет дефект.	Отрегулируйте угол установки, установив его менее 30 градусов. Очистите диск или установите новый.
Радио не работает. Не работает автоматический выбор радиостанции	Антенный кабель не подключен. Сигналы слишком слабы.	Вставьте антенный кабель надежно. Выберите станцию вручную.

## Технические характеристики

Общие. Источник питания	12 В, постоянное
Потребляемый ток/Предохранитель:	10А & 1А
Максимальная выходная мощность:	50 Вт x 4 канала
Размеры (Ш x В x Д) / диапазон температур	178 x 51 x 178 мм / -20°C - +60°C
Сtereo FM радио. Частотный диапазон:	87.5 - 108.0 МГц
Чувствительность/ Промежуточная частота:	3 мкВ/ 10.7 МГц
MW радио. Частотный диапазон:	522-1620 кГц
DVD дека. Формат	DVD/SVCD/VCD/MP4/MP3/WMA/CD/HDCD/DV DAudio/MPEG4/DivX/Picture-CD/Photo- CD/CD-R/CD-RW/DVD±R/JPEG
Видео система/ Аудио система	Стандарт NTSC/PAL / 24 бит/96 кГц
Система загрузки диска	Автозагрузка
Угол монтажа	0 - +/-30
Видео. / Горизонтальное разрешение	16:9 и 4:3 / 500
Уровень сигнала на выходе	1.0 В, 75 Ом
Максимальный уровень сигнала на выходе	2 В RMS (+/-3 дБ)
Частотный диапазон	20 Гц – 20 кГц
Уровень сигнал-шум (A-vtd)/Разделение	60 дБ/50 дБ
Линейный выход	CD макс. 1000 мВ

**Технические характеристики могут быть изменены заводом-изготовителем без предварительного уведомления. Указанные масса и геометрические размеры имеют приблизительные значения.**