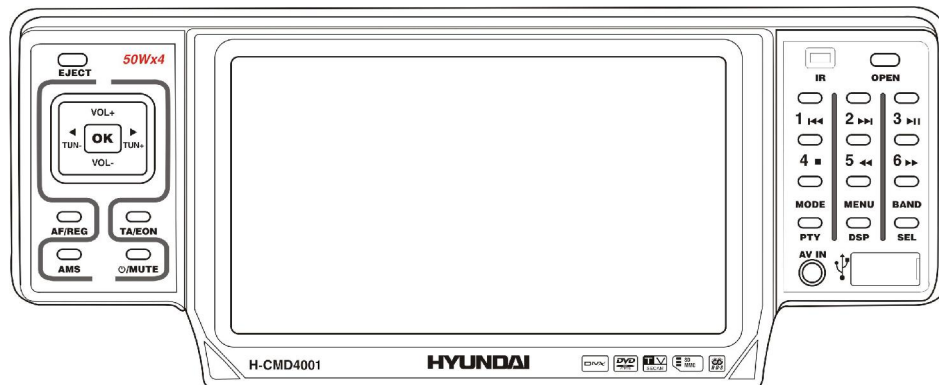
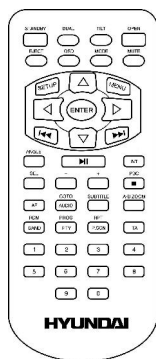


# EXCELLENCE

by **HYUNDAI**

## H-CMD4001



**MULTIMEDIA DVD/CD/MP3 RECEIVER WITH BUILT-IN 4.3" TFT DISPLAY AND TV TUNER**

Instruction manual

**МУЛЬТИМЕДИЙНЫЙ DVD/CD/MP3-РЕСИВЕР СО ВСТРОЕННЫМ 4.3" TFT ДИСПЛЕЕМ И ТВ-тюнером.**

Руководство по эксплуатации

---

## Dear customer!

Thank you for purchasing our product. For safety, it is strongly recommended to read this manual carefully before connecting, operating and/or adjusting the product and keep the manual for reference in the future.

## Table of contents

---

Table of contents .....	2
Important safeguards .....	3
Installation/ connection.....	4
Panel controls .....	9
General operation .....	14
Digital tuner .....	19
SD/MMC cards/ USB operations .....	23
Discs operations .....	25
MP3 overview .....	30
DVD setup.....	32
TV .....	36
Other functions.....	37
Anti-theft system .....	39
Handling discs .....	40
Cleaning .....	40
Troubleshooting guide .....	41
Specification.....	42

## Important safeguards

---

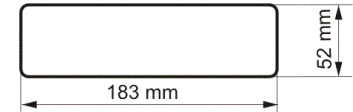
- Using the device at temperature below  $-10^{\circ}\text{C}$  may cause the breakage of the device. BEFORE USING PLEASE HEAT UP THE PASSENGER COMPARTMENT TO THE RECOMMENDED TEMPERATURE!
- Read carefully through this manual to familiarize yourself with this high-quality sound system.
- Disconnect the vehicle's negative battery terminal while mounting and connecting the unit.
- When replacing the fuse, be sure to use one with an identical amperage rating. Using a fuse with a higher amperage rating may cause serious damage to the unit.
- DO NOT attempt to disassemble the unit. Laser beams from the optical pickup are dangerous to the eyes.
- Do not use the unit in places where it can be exposed to water, moisture and dust.
- Make sure that pins or other foreign objects do not get inside the unit; they may cause malfunctions, or create safety hazards such as electrical shock or laser beam exposure.
- If you have parked the car for a long time in hot or cold weather, wait until the temperature in the car becomes normal before operating the unit.
- DO NOT open covers and do not repair yourself. Consult the dealer or an experienced technician for help.
- Make sure you disconnect the power supply and aerial if you will not be using the system for a long period or during a thunderstorm.
- Make sure you disconnect the power supply if the system appears to be working incorrectly, is making an unusual sound, has a strange smell, has smoke emitting from it or liquids have got inside it. Have a qualified technician check the system.
- The unit is designed for negative terminal of the battery, which is connected to the vehicle metal. Please confirm it before installation.
- Do not allow the speaker wires to be shorted together when the unit is switched on. Otherwise it may overload or burn out the power amplifier.
- Do not install the detachable panel before connecting the wire.
- Don't remove the detachable panel when encoding.

# Installation/ connection

First complete the electrical connections, and then check them for correctness.

## Installation opening

This unit can be installed in any dashboard having an opening as shown on the picture. The dashboard should be 4.75 – 5.56 mm thick in order to be able to support the unit.

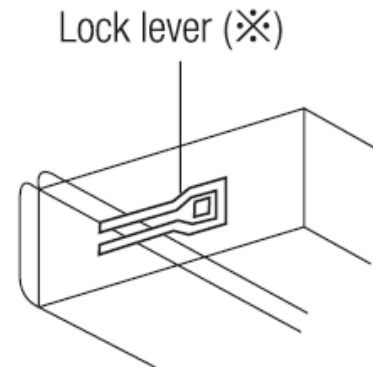
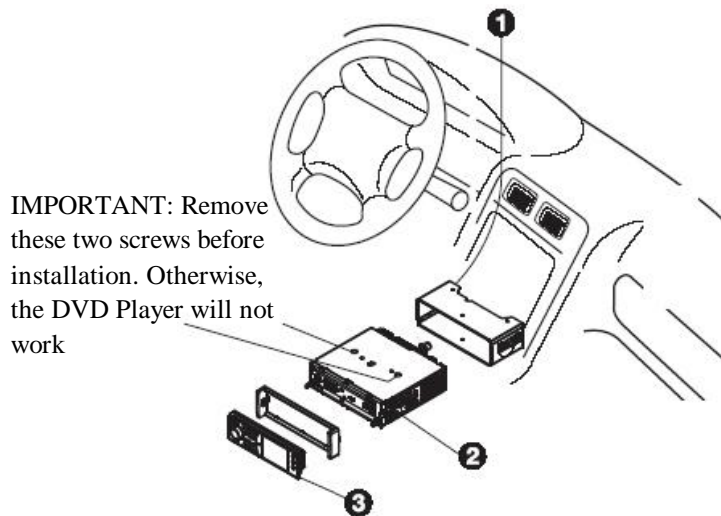


1. Insert mounting collar into the dashboard, and bend the mounting tabs out with a screwdriver. Make sure that lock lever (※), flush with the mounting collar (not projecting outward).
2. Secure the rear of the unit.

After fixing mounting bolt and power connector, fix the rear of the unit to the car body by rubber cushion.

3. Insert trim plate.

When you prepare to insert trim plate, please check it's direction. Once it was up side down, it cannot be fixed.



## Detachable control panel

### **Detaching the control panel**

- Turn the Power off.
- Press OPEN button release the panel.
- Pull the panel out.

### **Attaching the control panel**

- Insert the left side of the control panel into the main unit.
- Press the control panel right side until the “click” sound is heard.

### **Caution:**

DO NOT insert the control panel from the right side. It can damage the control panel.

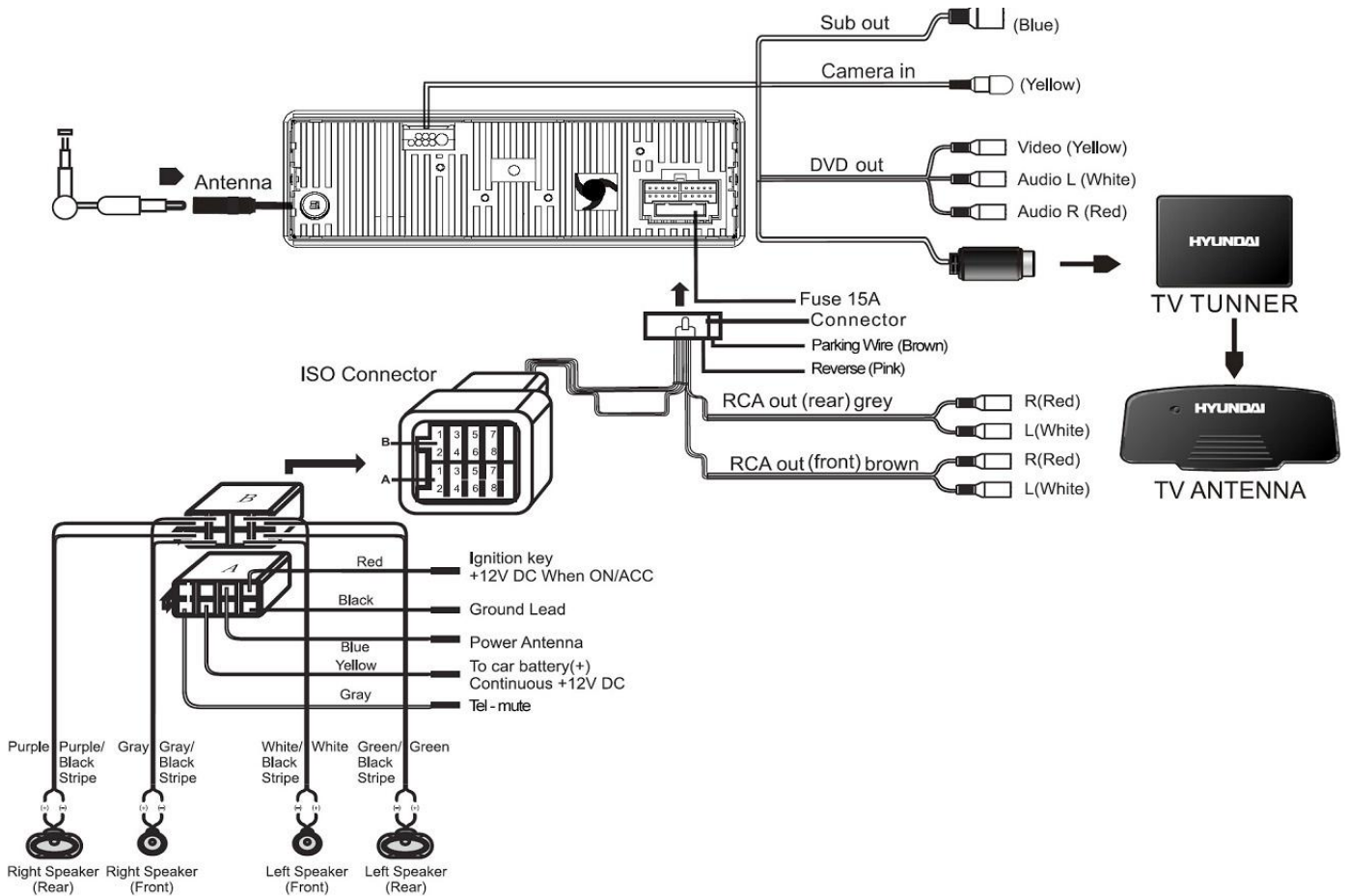
The control panel can easily be damaged by shocks. After removing it, place it in a protective case and be careful not to drop it or subject it to strong shocks.

The rear connector that connects the main unit and the control panel is an extremely important part. Be careful not to damage it by pressing on it with fingernails, pens, screwdrivers, etc.

### **Note:**

If the control panel is dirty, wipe off the dirt with soft, dry cloth only. And use a cotton swab soaked in isopropyl alcohol to clean the socket on the back of the control panel.

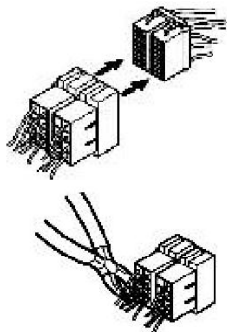
# Electrical connection



**Caution:** Do not interchange the connection of the wiring!!!

For some car models you may need to modify wiring of the supplied power cord. Contact your authorized car dealer before installing this unit.

### Using the ISO Connector



1. If your car is equipped with the ISO connector, then connect the ISO connectors as illustrated.
2. For connections without the ISO connectors, check the wiring in the vehicle carefully before connecting, incorrect connection may cause serious damage to this unit.
3. Cut the connector, connect the colored leads of the power cord to the car battery as shown in the color code table below for speaker and power cable connections.

Location	Function	
	Connector A	Connector B
1		Rear Right(+)--Purple
2	Tel-mute (gray)	Rear Right(--Purple/Black Stripe
3		Front Right(+)--Grey
4	Battery 12V (+)/yellow	Front Right(--Grey/Black Stripe
5	Auto Antenna/blue	Front Left(+)--White
6		Front Left(--White/Black Stripe
7	ACC+/red	Rear Left(+)--Green
8	Ground/black	Rear Left(--Green/Black Stripe

**Note:**

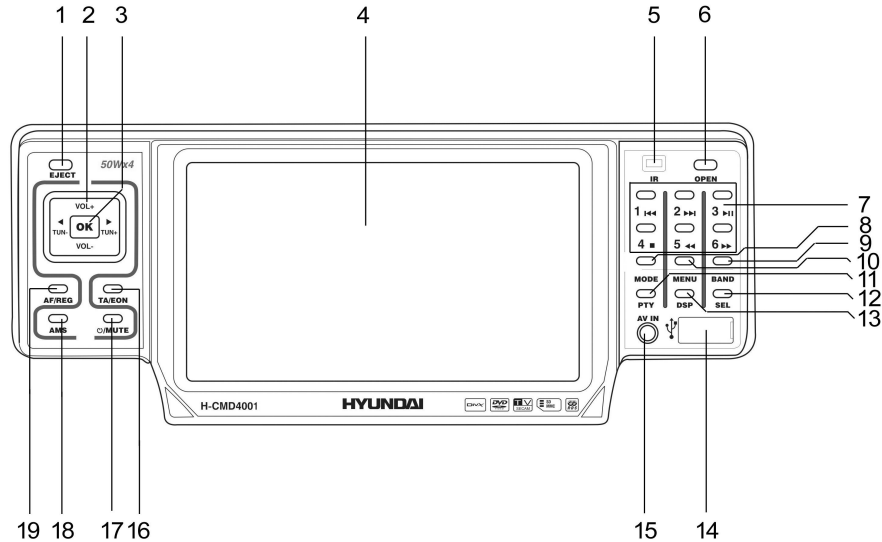
For your driving safety, please link your parking wire with low power level, and keep it controlled by manual brake switch. Wire should be high power level and the unit cannot play DVD or VCD disc. And this caution displays on the screen.





# Panel controls

## Front panel



1. EJECT button: press it to flip down the front panel and eject the CD.
2. VOL+/- buttons: press to increase/decrease volume step by step.  
TUN-/TUN+ buttons: use these buttons to enter the manual tuning mode/ seek tuning mode.
3. OK button: press it in the menu to confirm settings.
4. TFT display
5. IR sensor
6. OPEN button: press it when power is off to release the front panel.
7. PRESET STATION [1-6] buttons  
◀◀/▶▶ buttons: use these buttons to search for the beginning of the previous/ next track/ chapter.  
▶▶/▶▶ buttons: use these buttons to search for the beginning of the previous/ next track/ chapter.  
▶▶/▶▶ button

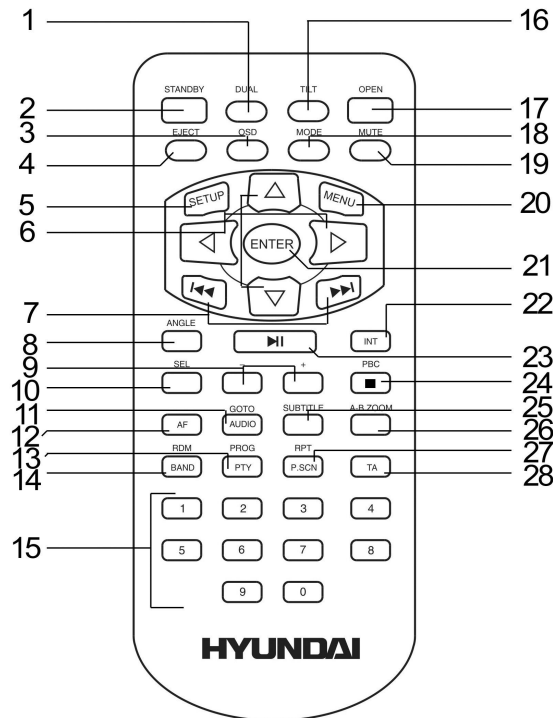
## STOP button

◀/▶ buttons: use these buttons for backward/ forward track scanning.

8. MODE button: Press it to select the RADIO, DISC (if there is a disc in unit), USB (if there is a USB device in the unit), CARD (if there is a SD/MMC card in unit), TV, AV IN mode.
9. BAND button: press it repeatedly to select your desired radio band during RADIO mode.
10. MENU button: press it to open the settings menu.
11. PTY button. In Radio mode press it to activate the PTY function.
12. SEL button: press this button repeatedly to select the audio setting: BASS => TREBLE => BALANCE => FADER => EQ.
13. DSP button, press it for audio setting: FLAT => CALSSICS => POP =>ROCK => DSP OFF.
14. USB slot
15. AV in
16. TA/EON button: press it to select TA (traffic announcement) function ON or OFF. Press and hold for 2 seconds to turn TA EON function ON or OFF.
17. POWER/MUTE button: press POWER button to turn the power on, press and hold for 2 seconds to turn the power off. When the power is on press it to cut down the volume output, press it again to resume volume.
18. AMS button. Press and hold the button to set radio stations automatically. By pressing it shortly you make the unit memorizes the stations under 1- 6 preset buttons.
19. AF/REG button: press it to select AF (alternative frequency) function ON or OFF. Press and hold for 2 seconds to turn the Regional mode ON or OFF.

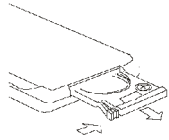
## Remote control

1. DUAL button - press it to enter the Dual zone mode for playing DVD and Radio at the same time.
2. STANDBY button – press it to turn the power on/off.
3. OSD button - Press the OSD button to show the current mode information on the display.
4. EJECT button - press it to eject the disc.
5. SETUP button – in DVD mode press it to open the setup menu.
6. Cursor ▲/▼/◀/▶ buttons  
Use the ▲/▼/◀/▶ buttons to select the menu item.  
Use the ▲/▼ buttons to select the title, track.  
Use the ◀/▶ buttons to show next frame;
7. ⏮/⏭ buttons: press them to start manual/automatic radio/TV station search, in DVD mode go to previous/next track/chapter/title
8. ANGLE button - press it repeatedly to change the viewing angle.
9. VOL+/- buttons – press these buttons to adjust volume level.
10. SEL button - press it repeatedly to select the audio modes: BASS => TREBLE => BALANCE => FADER => EQ.
11. AUDIO/GOTO button – in DVD mode press it to select the audio language.  
In VCD mode press it to select the channel: Mono left => Mono right => Mix mono => Stereo.  
Go to: in DVD mode press and hold for 2 seconds, go into the set chapter/track/time directly.
12. AF button – in Radio mode press it to activate the AF function.

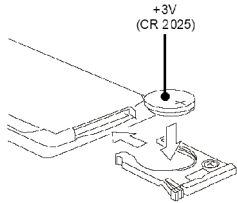


13. PROG/PTY button – press this button to enter the title/chapter search function.  
In Radio mode press it to activate the PTY function.
14. RDM/BAND button – in DVD mode press it to start random playing.  
In Radio mode press it to select the desired band.
15. Digit 0-6- in radio mode, select the desired band; digit 0-9 in mode in DVD mode, select track.
16. TILT button - press it to adjust monitor tilt angle.
17. OPEN button - press it to open the monitor.
18. MODE button - press it to select the mode: RADIO, DISC (if there is a disc in unit), USB (if there is a USB device in the unit), CARD (if there is a SD/MMC card in unit), TV, AV IN mode.
19. MUTE button - press it to cut down the volume output, press it again to resume volume.
20. MENU button – in DVD mode press this button to show the disc menu.
21. ENTER button – press it to confirm setting.
22. INT button – press it to activate the intro function.
23. PLAY/PAUSE button - in DVD mode press it to start playback.  
Press during playback to pause it. Press again to resume.
24. STOP/PBC button - press it to stop playback, in VCD mode, press it and hold for 2 seconds to set PBC on/off.
25. SUBTITLE button – press it to select the subtitle language.
26. A-B/ ZOOM button - press it to start repeating of the A-B fragment.  
Press it and hold for 2 seconds to zoom the image in or out.
27. RPT/P.SCN button - in DVD mode press it to start repeat playing.  
In Radio mode press it to scan all preset stations in the memory of the current band and stay on each memory stations for about 5 seconds.
28. TA button  
Press it to activate the TA function.

## Changing the battery



1. Press the catch and at the same time pull out the battery tray.



2. Insert the 1 x lithium battery, type CR 2025 3V battery with the stamped (+) mark facing upward. Insert the battery tray into the remote control.

**Warning:** Store the battery where children cannot reach. If a child accidentally swallows the battery, consult a doctor immediately.

Do not recharge, short, disassemble or heat the battery or dispose it in a fire.

Do not expose or bring into contact the battery with other metallic materials. Doing this may cause the battery to give off heat, crack or start a fire.

When throwing away or saving the battery, wrap it in tape and insulate; otherwise, the battery may give off heat, crack or start a fire.

## Inner panel

Press EJECT button on the front panel to flip it down. On the inner panel there are the CD slot and RESET button.

Press OPEN button on the front panel to release it. On the inner panel there are the SD/MMC card slot and LED indicator.

# General operation

---

## Reset the unit

Operating the unit for the first time or after replacing the car battery, you must reset the unit.

Press EJECT button and then press RESET button under the panel to restore the unit to the original factory settings.

## Power button

Press any button to turn on the unit. Long press POWER button to turn off the unit.

## Monitor tilt angle

Press TILT button to enter the monitor tilt angle adjustment mode.

Press ◀/▶ buttons to select the position: 0 => 1 => 2 => 3 => 4 => 5 =>6.

The monitor will flip down accordingly.

## Volume control

Press VOL + button to increase the volume level.

Press VOL – button to decrease the volume level.

## Turning the sound off

When the power is on press the POWER/MUTE button on the panel or MUTE button on the RC to turn the sound off. Press it again to turn the sound on.

## Setting the sound characteristics

Press shortly and repeatedly the SEL button to select the audio setting: BASS =>TREBLE => BALANCE => FADER => EQ.

Press ▲/▼ buttons on the RC to select the setting.

Press ◀/▶ buttons to adjust the setting.

Press SEL again to confirm and return to current mode.

**Notes:** If turning off the power all the settings of each mode will be saved.

- If turning off the ACC power all the settings will become as they were set on the plant as current.
- If you don't adjust setting within 10 seconds after selecting the desired setting, the unit will automatically return to the current mode.

## Setting other characteristics

During FM or DVD mode press the MENU button to enter the setting mode. In TV mode press the MENU button once to enter TV menu setting and twice to enter menu setting mode.

Press ▲/▼ buttons on the RC to select the setting.

Press ◀/▶ buttons to adjust the setting.

Press OK again to confirm, press MENU to return to settings list.

- In Radio mode select AUDIO => DUAL => RDS SETUP => EXPERT => CLOCK => TILT
- In DVD mode select AUDIO => PICTURE => DUAL => RDS SETUP => EXPERT => CLOCK =>TILT.
- In TV mode select AUDIO => PICTURE => DUAL => RDS SETUP => EXPERT => CLOCK =>TILT.

- **AUDIO MENU**

MENU	DESCRIPTION(tuning by left or right arrow)
BASS	Support 10 levels. Default level is 0.
TREBLE	Support 10 levels. Default level is 0.
BALANCE	Support 10 levels for each left and right channel. Default is left equal to right.
FADER	Support 10 levels for each front and rear channel. Default is front equal to rear.
EQ	DSP OFF→ FLAT →CLASSICS →POP →ROCK →DSP OFF

- **PICTURE MENU**

MENU	DESCRIPTION
RED	Adjust level of red color. Support 50 levels. Default level is 25.
GREEN	Adjust level of green color. Support 50 levels. Default level is 25
BLUE	Adjust level of blue color. Support 50 levels. Default level is 25.
BRIGHTNESS	Adjust level of screen brightness. Support 50 levels. Default level is 25
CONTRAST	Adjust level of screen contrast. Support 50 levels. Default level is 25.
SHARPNESS	Adjust level of screen sharpness. Support 15 levels. Default level is 10
SCREEN	Adjust screen size: 16:9 →4:3 →FULL
COLOR RESET	Resume color default status. (Only select YES or NO by navigation keys, but no need to press OK or ENTER key )



- **DUAL MENU**

MENU	DESCRIPTION
DUAL	Set DUAL Zone function on / off.
KEY	Use keys at CURRENT or DVD
VOL	Adjust level of DVD volume, Support 50 levels. Default level is 15

- **RDS SETUP MENU**

MENU	DESCRIPTION
TA	SEEK → ALARM
PI	MUTE → SOUND
RETUNE	LONG → SHORT
MASK	DPI → ALL
EON TA	DX → LOCAL
REG	OFF-ON
TA VOL	Adjust level of TA volume, Support 50 levels. Default level is 15

- **EXPERT MENU**

MENU	DESCRIPTION
DX	Set search radio station by DX or LOCAL mode. DX → LOCAL
STEREO	Set radio audio at STEREO or MONO mode, STEREO → MONO
BEEP	Set press keys's sound. 2ND → ALL → OFF
LOUD	Set loudness on or off. OFF → ON
SUB WOOFER	Set Sub Woofer output on or off. OFF → ON
BACKLIGHT	Set OSD BACKLIGHT: MID → HIGH → LOW
OSD COLOR	Set OSD COLOR: DARK BLUE → VIOLET → LIGHT BLUE

- **CLOCK MENU**

MENU	DESCRIPTION
CLOCK	Set CLOCK display time or not. Off / on.
CLOCK ADJUST	Set CLOCK ADJUST time

**Dual zone function**

DUAL ---DUAL ZONE function, DVD and RADIO output by the same time.

Short press MEUN button, go into DUAL select, Press ON/OFF button to select,. When press ON, in DVD mode, DVD/DUAL will be displayed. When connect to one more monitor, DVD OUT play DVD, and AMP, LINE OUT and Sub woofer play Radio.

When you select OFF, DUAL function does not work. If locked to Radio function, all buttons on front panel or remote control are only used to select Radio function. If locked to DVD function, all buttons on front panel or remote control are only used to select DVD.

**TILT function**

Short press MENU button go into Item TILT function select. This function is used to adjust monitor angel.

Mode setting

Change playing mode in a sequence of: RADIO =>DVD=>USB=>SD/MMC=>TV=>AV IN=>RADIO

On-screen display (OSD)

Press the OSD button to show the current mode information on the display.

## Digital tuner

---

**Note:** RDS (Radio Data System) service availability varies with areas. Please understand if RDS service is not available in you area, the following service is not available, either.

### Band selection

Press MODE button to select the RADIO mode. Press the BAND button to select the desired band: FM1, FM2, FM3, AM (MW).

### Manual/ automatic tuning

- **Manual tuning:** press the ◀◀/ ▶▶ buttons and hold for 2 seconds to enter the manual tuning mode. Press the ◀◀/ ▶▶ buttons on the panel or on the RC repeatedly to select a station downward or upward step by step. Press and hold for 2 seconds the 1-6 preset buttons to store the station found.
- **Automatic tuning:** press the ◀◀/ ▶▶ buttons on the panel or on the RC repeatedly, the automatic search will start. It will play when finds the station. Press and hold for 2 seconds the 1-6 preset buttons to store the station found.

### Programming tuner stations

You can store up to a total of 24 radio stations in the memory (18 FM, 6 AM), manually or automatically.

- To store a station:
  - Select a band (if needed)
  - Select a station by ◀◀/ ▶▶ buttons
  - Hold a Preset button (1-6) which you want store the station for at least 2 seconds.
- To recall a station:
  - Select a band (if needed)
  - Press a Preset button (1-6) briefly to recall the stored station

### Preset scan

Press the RPT/P.SCN button on the RC to scan all preset stations in the memory of the current band and stay on each memory stations for about 5 seconds. To stop preset scan, press this button again.

### AF (Alternative Frequencies) function

When the radio signal strength is poor, enable or disable AF function, press more than 2 seconds to enable or disable REG mode. (Default setting is On for AF and Off for REG)

1. Press ON to enable AF with current station.
2. AF icon is on LCD display. AF icon blinks if AF is not available.

### TA (Traffic Alarm) function

Press the TA/EON button on the panel or TA button on the RC to enable or disable TA mode.

### PTY (Program Type)

1. Press PTY button to activate the PTY function. The previous PTY type is shown.
2. Press PTY once again to enter the MUSIC type or press twice to enter the SPEECH type, then use buttons 1 - 6 to select the desired program type (see the following table).

BUTTON NUMBER	MUSIC GROUP	SPEECH GROUP
1	POP,	NEWS, JAZZ, CULTURE ,SOCIAL
2	ROCK	RELIGION, COUNTRY, AFFAIRS SCIENCE
3	EASY, NATION	VARIED, INFO, PHONE IN
4	LIGHT	WEATHER, OLDIE, SPORT, TRAVEL
5	CLASSICS ,FOLK	EDUCATE, FINANCE, LEISURE
6	OTHER	DOCUMENT, DRAMA ,CHILDREN

3. When PTY is selected, the radio starts to search corresponding PTY information, and stops if the corresponding PTY information is detected.  
If there are no keys entered for 2 seconds, previously selected PTY is searched. During 1 loop, if desired PTY is not found, NO PTY is flashed, then return to previous normal radio and PTY word disappears.
4. Press PTY button for the 3<sup>rd</sup> time to switch the PTY function off.

### REG function

Press for more than 2 seconds the AF/REG button to enable or disable REG mode.

- When REG is enable (On), the receiver accepts regional variants of the tuned station with icon on LCD display.
- When REG is disable (Off), the receiver ignores regional variants.

## EON (Enhanced Other Networks)

Press for more than 2 seconds the TA/EON button to enable or disable EON mode. When EON data is received, the EON indicator lights and the TA and AF functions are enhanced.

This unit is equipped with the latest technology of EON control, so that when you are listening to Radio or CD, if there is any travel announcement from a nearby local station, the radio will already know the frequency of that radio station. Then it will receive the station, turn up the volume, or interrupt the playback for the duration of the announcement. At the end of the announcement the radio will return to its previous state ready for the next announcement.

# SD/MMC cards/ USB operations

---

**Please note: the MMC and USB modes are optional.**

## Inserting the SD/MMC card/ USB device

1. Turn the power on.
2. Insert the USB device into the USB slot on the front panel. The playing mode will be changed into USB mode automatically. The unit will read the files automatically.
3. To insert the SD/MMC card into the proper slot press the OPEN button on the panel to detach it and insert the SD/MMC card into SD/MMC slot. The playing mode will be changed into Card mode automatically. The unit will read the files automatically.
4. To enter the SD/MMC mode or USB mode press the MODE button.

## USB/SD/MMC notes

USB functions (flash memory type) MP3 music play.

1. SD/ MMC card support, 2in1 (SD/ MMC) support.
2. USB flash memory.
3. FAT 12/ FAT 16/ FAT 32 is possible
  - FAT 12/16 (dir: 200 support, file: 500 support),
  - FAT 32 (dir: 200 support, file: 500 support).
4. Filename: 32 byte/ Dir name: 32 byte.
5. Tag (id3tag ver2.0)
  - Title/ Artist/ Album: 32 byte support.
6. Multi card reader not support.
7. USB 2.0 support.

**Note:**

**USB** format supports 2.0.

Capacity: up to 2 GB.

**SD cards** brands: Cannon, Fuji film, Palm, Motorola, Microsoft, IBM, HP, Compaq, Sharp, Samsung, etc.

Capacity: up to 2 GB.

**MMC cards** brands: Ericsson, Nokia, Motorola, HP, Palm, Sanyo, Microsystems, etc.

Capacity: up to 2 GB.

**Functions**

The Play/pause, Previous/next track/ FR/FF functions are same as for Discs (see the Discs operations chapter of this instruction manual).



# **Discs operations**

---

## Glossary

### **PBC (PlayBack Control)**

PlayBack Control is a menu recorded on the disc with SVCD or VCD2.0 format. For the discs contained PBC, it can playback interactive software with the menu displayed on TV. And if the disc contains still images, it can playback high definition of still image.

### **Title**

The title is the important part of DVD disc. The memory volume of the disc is rather big, that makes possible to record several films on one disc. For example, if a disc contains three films, they may be divided into Title 1, Title 2 and Title 3. You can easy use the functions of looking-for.

### **Chapter**

A title can be divided into several blocks, so that every block can be operated as a unit, the unit is called chapter. The chapter contains a unit at least.

### **Track**

It is the biggest component of VCD. Generally, every song of karaoke disc is a track.

## Discs for playback

- This unit can play: DVD/SVCD/VCD/HDCD/MP3/MP4/WMA/CDDA/Picture-CD/JPEG/CD-R/-RW/DVD±R/±RW.
- The following file types are supported:
  - Audio files: MP3 (\*.mp3)  
WMA (\*.wma)
  - Video files: MP4 (\*.avi, DIVX3.11/4.0/5.0/6.0 and XVID)  
MPEG 2(\*.vob)  
MPEG 1(\*.dat)

Picture file: JPEG (\*.jpg)

- ISO 9660 or ISO 9660 +Joliet format - Max. 30 characters
- Max. Track number is 448
- Max. nested directory is 8 levels
- The max. album number is 99
- The max. length of each track is 99 minutes 59 seconds
- Supported sampling frequency for MP3 disc: 8 KHz to 48 (44.1 KHz preferably) KHz
- Supported bit-rates of MP3 disc are: 32 - 320 kbps (128 kbps preferably).
- Following formats are NOT supported \*.ACC, \*.DLF, \*.M3U, \*.PLS, MP3 PRO, files with DRM.
- Open session discs are NOT supported.

### Loading a disc

1. Turn the power on.
2. Press EJECT button on the front panel to flip it down.
3. Insert the disc with the printed side facing upward into the slot. The panel will be closed automatically. The DVD mode will be turned on automatically. The monitor will show the disc content.
4. Press EJECT button on the panel to eject the disc.  
If the disc is not removed for about 10 seconds after reject, the disc is reinserted automatically. When disc in/out, put front panel at 0 degree to avoid distortion of disc.
- 5 You may also choose the operating mode using the MODE button.

### Playing/pausing

To ensure good system performance, wait until the unit finishes reading the disc information before proceeding. Press the PLAY/ PAUSE button to start/ pause the playback. In pause mode press it again to resume the playback.

## Stop

During playback press the STOP button on the RC. Playback will be stopped. Press the PLAY/ PAUSE button to start playback.

If the PLAY/ PAUSE button is pressed, playback will start from the position at which it was stopped. If the disc is removed, the resume function is cancelled.

Press the STOP button again to finally stop the playback.

## Playing the previous/ next track/ chapter

1. During playback press the ◀◀ button to start playback of the previous track/chapter.
2. Press the ▶▶ to start playing of the next track/chapter.
3. Press the digital buttons (1-9, 0) buttons to enter the desired track/chapter number.

## Speed forward and backward

Press the ◀◀/▶▶ buttons on the panel to select the speed of fast playing in backward or forward direction: X2, X4, X8, X16, X32. Press the PLAY/PAUSE button to return to normal playback.

**Note:** During the disc playback when Fast/ Reverse Playback gets to the beginning of the playing another track, it resumes normal playback.

## Repeat playback

Press the RPT button on the RC once or more to repeat the playback:

- For VCD/CD: display appears Repeat One => Repeat All => Off (Some discs do not support this functions).
- For DVD: display appears Repeat Chapter => Repeat Title => Off
- For File disc: display appears Ftle => Folder=> All => Off

## Repeat A-B function

1. During playback, press A-B button on the remote control at the starting point of the section you want to repeat (point A).
2. Press A-B button again at the ending point of the section you want to repeat (point B). Section A-B repeating starts.
3. Press A-B button again to cancel the A-B repeat function.

## Random playback (for CD/VCD/MP3 discs)

During disc playback, press the RDM button on the RC to start random playback of the disc. Press again to cancel.

## Intro playback (for CD/VCD discs)

You can play the beginning of every track for 10 seconds in sequence. Press the INT button on the front panel to start intro play of whole disc. Press again to cancel.

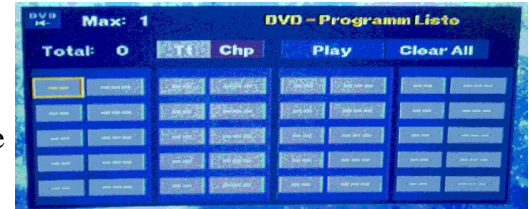
## PBC (Playback Control) function (for VCD only)

If you insert a VCD with PBC, playback starts from the beginning of the 1st track automatically.

1. Press PBC button to activate interactive menu on screen during playback.
2. If the menu consists a list of titles, you can select a desired one using the ◀▶ buttons or the digit buttons.
3. The VCD starts playing the selected title automatically or press PLAY/ PAUSE button to confirm the selected track for playback.
4. Press STOP button to return to menu.
5. Press PBC again to exit menu.

## Programming the playback

1. Press PROG button on the RC to enter program list.
2. Use ◀, ▶, ▲, ▼ buttons and digit buttons to enter the number of the desired track to be on selected position.  
For DVD and File disc, select title and chapter number.  
For VCD and CD, select track number.
3. Press PLAY/ PAUSE button to play, or move the cursor to select PLAY and press ENTER to play.
4. If you want to delete the list, move the cursor to CLEAR, press ENTER to delete all the list set before.
5. Press PROG again to exit program play.



## Selecting different audio modes

- For DVD disc: press AUDIO on the RC repeatedly to select the audio language to listen (if the disc supports multi-language mode).
- For VCD disc: press AUDIO on the RC repeatedly to select the following modes:  
L mono → R mono → Mix mono → Stereo (Channel left => Channel right => LR mono => Stereo).

## Changing the subtitle language (for DVD only)

Press SUBTITLE button on the RC to select the preferred language for the disc menu. When the selected language is recorded on the disc then this language will automatically be selected. If not, the first language recorded on the disc is displayed.

## Changing size

Press and hold for 2 seconds the A-B/ZOOM on the RC. The picture will be enlarged accordingly: X2 => X3 => X4 => Normal.

## Changing angle (for DVD only)

If DVD discs support multi-angle playback, press ANGLE on the RC button to playback images in different camera angles. If discs doesn't support multi-angle playback, this function will not work. If no operation within 1 second, angle description will disappear.

## **MP3 overview**

---

### **Notes on MP3:**

- MP3 is short for MPEG Audio Layer 3 and refers to an audio compression technology standard.
- This product allows playback of MP3 files on CD-ROM, CD-R or CD-RW discs.
- The unit can read MP3 files written in the format compliant with ISO 9660. However it does not support the MP3 data written by the method of packet write.
- The unit can not read an MP3 file that has a file extension other than “.mp3”.
- If you play a non- MP3 file that has the “.mp3” extension, you may hear some noise.
- In this manual, we refer to what are called “MP3 file” and “folder” in PC terminology as “track” and “album”, respectively.
- Maximum number of directory level is 8, including the root directory. Maximum number of files and folders per disc is 448.
- The unit may not play tracks in the order of Track numbers.
- The unit plays only the audio tracks if a disc contains both audio tracks and MP3 files.
- When playing a disc of 8 kbps or “VBR”, the elapsed playing time in the display window will not be correct and also the intro play may not function properly. “VBR”: Variable Bit Rate.

### **Notes on creating your own CD-R or CD-RW containing MP3 files:**

- To enjoy high quality sound, we recommend converting to MP3 files with a sampling frequency of 44.1 kHz and a fixed bit rate of 128 kbps.
- DO NOT store more than 448 MP3 files per disc.
- For ISO 9660 - compliant format, the maximum allowable depth of nested folders is 8, including the root directory (folder).
- When CD-R disc is used, playback is possible only for discs, which have been finalized.
- Make sure that when MP3 CD-R or CD-RW is burned that it is formatted as a data disc and NOT as an audio disc.
- You should not write non-MP3 files or unneeded folders along with MP3 files on the disc otherwise it takes a long time until the unit starts to play MP3 files.
- With some CD-R or CD-RW media, data may not be properly written depending on its manufacturing quality. In this case, data may not be reproduced correctly. High quality CD-R or CD-RW disc is recommended.
- Up to 16 characters are displayed for the name of an Album or a Track. ID3TAG version 1.x is required.
- Note that the unit may not play Tracks in the order that you wrote them to the disc.

# DVD setup

Press this setup button to enter the DVD player setup menu to setup the DVD player operation setting. Press SETUP button to enter into the system settings main menu; press the left or right arrow buttons to move to the highlighted menu item and select one of the Setup Pages:

- ◇ Language
- ◇ Display
- ◇ Audio
- ◇ Parental

## 1. Language setup:

Press SETUP and then ENTER to enter into LANGUAGE setup menu.



### [1] OSD language setting:

With this option you can select the language for your On Screen Display (OSD). This menu item has 6 languages available.

### [2] Subtitle setting:

With this option you can select the preferred language for the subtitles. When the selected language is recorded on the disc then this language will automatically be shown. If not, the first language recorded on the disc is displayed.

### [3] Audio setting:

With this option you can select the preferred language for the audio output. When the selected language is recorded on the disc (not all discs have multiple languages recorded) then this language will automatically be played. If not, the first language recorded on the disc is played.



#### [4] Disc menu setting:

With this option you can select the preferred language for the disc menu. When the selected language is recorded on the disc then this language will automatically be selected. If not, the first language recorded on the disc is displayed.

#### [5] Version display:

With this option you can know the version about the unit.

## 2. Display setup:



#### [1] TV Display setup:

Set TFT screen mode to the correct ratio:

Three screen ratio modes are available, Normal/PS (4:3 Pan Scan), Normal/LB (4:3 Letterbox) and Wide (16:9). Different disc formats will display different images depending this setting and the screen size used.

#### [2] TV Type setup:

Select this menu item to set up your preferred video output format. PAL is commonly used in Europe. NTSC is commonly used in the USA and Japan. Auto is commonly used automatically.

#### [3] Angle mark setup:

When playing a DVD disc and you have selected ON, then the screen will show the angle mark. This will give you the possibility to view multi angle DVD's.

#### [4] Screen Saver setup:

When playing a DVD disc and you have selected ON, the screen will enter Screen Saver function if you stop played about 3 minutes.

### 3. Audio setup:



#### [1] Down Mix setup:

Press the DOWN arrow to enter the sub-menu. If you want analog stereo signals, set the sound mode to "STEREO".

If you want to have Dolby Pro Logic stereo (the decoded signal will create a 2ch reality simulating effect), select "LT/RT"

#### [2] Dual Mono setup:

Select the type of output of the Left and Right audio output connectors. Stereo is normal Stereo, L-Mono is all sound on the Left Audio output, R-Mono is all sound on the Right channel. The "Mix-Mono" function only works when a DVD is being played in DTS 5.1 mode.

#### [3] Dynamic setup:

This function is to adjust the linear compression rate to obtain the different compression results of the signals. Standard set to "OFF"

### 4. Parental setup:



**[1] Change setup:**

With this option you can change your password protection. The default password is 0000

**[2] Parent setup:**

For DVD discs, which support this system, parents can prohibit watching content that might be inadvisable for children.

**[3] Default setup:**

With this option you can clear all your setup and resume default setup.

<b>Code</b>	<b>Description</b>
<b>1</b>	kid safe
<b>2. G</b>	General Audiences - All ages admitted
<b>3. PG</b>	PARENTAL GUIDANCE SUGGESTED - Some material may not be suitable for children
<b>4. PG-13</b>	PARENTS STRONGLY CAUTIONED - Some material may be inappropriate for children under 13
<b>5. PG-R</b>	Restricted, under 17 requires accompanying parent or adult guardian.
<b>6. R</b>	RESTRICTED - Under 17 requires accompanying parent or adult guardian
<b>7. NC-17</b>	NO ONE 17 AND UNDER ADMITTED
<b>8. Adult</b>	Above 17 Admitted

# TV

---

1. Connect TV BOX, and then press MODE button to select TV mode.
2. In TV mode, press the MENU button once to enter TV menu setting.
3. Press the ▲/▼ buttons to select one of the setup pages: Auto program => Manual program.
4. Press the OK button to enter the page.
5. Press the ▲/▼ buttons to select the setting.
6. Press OK again to confirm, press MENU to return to settings list.

Note: This function is available when TV tuner is connected.

## TV MENU

### **Auto program (Auto seek mode)**

- System

Select this menu item to set TV video system: PAL=>SECAM1=> SECAM2, press OK button to select.

- Audio

Select this menu item to set the TV sound system: AUDIO1=> AUDIO2=> AUDIO3, press OK button to select.

- Search

Select this menu item is to start searching and storing stations automatically.

### **Manual program (manual seek mode)**

- Storage

Select this menu item to set the storage number.

- System

Select this menu item to set TV video system: PAL=>SECAM1=> SECAM1, press OK button to select.

- Audio

Select this menu item to set the TV sound system: AUDIO1=> AUDIO2=> AUDIO3, press OK button to select.

- Channel

Select this menu item is to set your desired searching channel, press ◀/▶ buttons to select one.

- Fine

Select this menu item is to fine TV picture and sound until it achieves the best quality, press ◀/▶ buttons to adjust

- Memory

Select memory on or off is to set whether memory the searched station or not, press OK button to select.

## Other functions

---

### Back view camera

This unit is equipped with back view camera output. The camera is used to observe the situation behind the vehicle when you are backing the car.

Please connect your back view camera with the back car video input. And connect the reverse wire for back a car with the rear gear light. Rear view camera picture will be enabled when you are backing the car.

### TEL mute

The audio system automatically mutes whenever a call comes in.

**Note:** This function will not work if a cable is not connected to the car phone.

1. When a call is received, all the unit functions are temporarily interrupted.
2. When the call ends hang up the phone. The original source (used before the phone call) is returned automatically and the volume restored.

### Subwoofer

Connect the subwoofer to the unit using sub output (see electrical diagram). Press MENU button, choose expert and set subwoofer ON to enable subwoofer.

## **Anti-theft system**

---

### **Remove the panel**

1. Press the POWER button to turn the power off.
2. Press OPEN button to detach the panel.
3. Pull the panel out.
4. Place the panel into the case and take it with you when you leave the car.

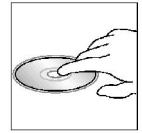
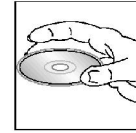
### **Remove the unit**

1. Remove the panel and the trim plate.
2. Insert both T-Keys into hole on the front of the set until they lock.
3. Pull out the unit.

## Handling discs

---

- Dirty, scratched or warped discs may cause skip ping or noise.
- Handle the disc only by the edges. To keep clean do not touch its surface.
- Discs should be stored in their cases after use to avoid scratches.
- Do not expose discs to direct sunlight, high humidity, high temperature or dust.
- Prolonged exposure to extreme temperature can warp the disc (such as leaving the discs in your car during summertime).
- Do not stick or write anything on either side of disc. Sharp writing instruments, or the inks used in some felt-tip pens, may damage its surface.
- DO NOT touch the unlabeled side. DO NOT attach any seal, label or data protection sheet to either side of a disc.



## Cleaning

---

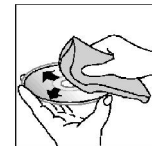
### Cleaning the cabinet

Wipe with a soft cloth. If the cabinet is very dampen (not dropping wet) the cloth with a weak solution of soapy water, and then wipe clean.

### Cleaning discs

Fingerprints should be carefully wiped from the surface of disc with a soft cloth. Unlike conventional records, compact discs have no grooves to collect dust and macroscopic dirt, so gently wiping them with a soft cloth should remove most panicles. Wipe in a straight motion from the center to the edge.

Never use thinner benzine, record cleaner or anti static spray on a compact disc. Such chemicals can damage its plastic surface.





## Troubleshooting guide

Symptom	Cause	Solution
General No power	The car ignition is not on. The fuse is blown.	If the power supply is properly connected to the car accessory switch the ignition key to "ACC". Replace the fuse.
Disc Disc cannot be loaded.	Presence of disc inside the player.	Remove the disc in the player then put a new upward.
Disc cannot be read.	Inserting the disc in upside down. Compact disc is extremely dirty or defective. Temperature inside the car is too high.	Insert the compact disc with the label facing upward. Clean the disc or try to play a new one. Cool off until the ambient temperature returns to normal.
No sound	Volume is in minimum. Wiring is not properly connected.	Adjust volume to a desired level. Check wiring connection.
The operation keys do not work.	The built-in microcomputer is not operating properly due to noise. Front panel is not properly fix into its place.	Press the RESET button. Reinstall the front panel.
Sound skips.	The installation angle is more than 30 degrees. The disc is extremely dirty or defective.	Adjust the installation angle to less than 30 degrees. Clean the compact disc/try to play a new one.
The radio does not work, the radio station automatic selection does not work.	The antenna cable is not connected the signals are too weak.	Insert the antenna cable firmly select a station manually.

## Specification

---

General	
Power supply:	12 V DC
Current consumption:	max. 15 A
Maximum power output:	50 W x 4 channels
Compatible storage devices	DVD/DVD±R/DVD±RW/CD/CD-R/CD-RW/USB/SD/MMC
Compatible formats:	DVD/SVCD/VCD/HDCD/MP3/WMA/CDDA/Picture-CD/JPEG playback
Dimensions (L x W x H) / weight:	202 x 188 x 71 mm / 2 kg
Working temperature range:	-10°C - +60°C
ESP function:	40 sec. for Audio CD, 120 sec. for MP3
TFT display	
Screen size:	4.3 inch
Resolution:	480x272 dpi
Aspect ratio:	4:3/16:9
Contrast ratio:	1000:1
Brightness:	500 cd/m <sup>2</sup>
FM Stereo Radio	
Frequency range:	65.0 – 74.0/87.5 – 108.0 MHz
Usable sensitivity:	≤ 1 mV
Preset memory stations:	18
AM section	
Frequency range:	522 kHz - 1620 kHz
Preset memory stations:	6

Audio specification	
Maximum output:	2 Vrms (+/- 3 dB)
Frequency response:	30 Hz - 18 KHz
S/N ratio(A-vtd):	68 dB
DSP sound effect:	Classic, Rock, Pop, Flat
TV	
Color system	PAL/SECAM/NTSC
Sensitivity	65 dB
Line out	
Line outs:	4 channel RCA line-out (2V) 1 channel Subwoofer pre-out
Output:	CD max 2000 mV

**Specifications are subject to change without notice. Mass and dimension are approximate.**

## Уважаемый покупатель!

Благодарим Вас за покупку нашего изделия. Для обеспечения безопасности рекомендуется тщательно изучить настоящее руководство перед подключением, эксплуатацией и/или регулировкой изделия, и сохраняйте руководство для использования в будущем.

## Содержание

---

Содержание.....	44
Меры предосторожности.....	45
Установка/ подключение.....	46
Органы управления .....	51
Основные операции.....	58
Цифровой тюнер.....	64
Воспроизведение файлов с SD/MMC-карт и USB-устройств.....	69
Воспроизведение дисков.....	71
Обзор MP3 .....	77
Настройки DVD.....	79
ТВ.....	85
Другие функции.....	85
Система против кражи .....	87
Обращение с дисками.....	87
Чистка и уход.....	88
Руководство по устранению неисправностей.....	89
Технические характеристики .....	90

## **Меры предосторожности**

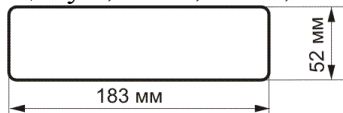
---

- Использование данного устройства при температуре ниже  $-10^{\circ}\text{C}$  может привести к поломке.
- ПЕРЕД ИСПОЛЬЗОВАНИЕМ ПРЕДВАРИТЕЛЬНО ПРОГРЕЙТЕ САЛОН АВТОМОБИЛЯ ДО РЕКОМЕНДОВАННОЙ ТЕМПЕРАТУРЫ!
- Тщательно изучите настоящую инструкцию, чтобы ознакомиться с аудиосистемой.
- При установке, подключении изделия отключите отрицательную клемму аккумулятора автомобиля.
- При замене предохранителя, убедитесь, что вы устанавливаете предохранитель с тем же номиналом. Используя предохранитель с повышенным значением тока, можно причинить значительные повреждения изделию.
- Не используйте устройство в местах, где оно может подвергнуться воздействию воды, влаги и пыли.
- Не пытайтесь разбирать изделие. Лазерные лучи, исходящие из блока оптической головки считывания информации с компакт-диска, опасны для глаз.
- Убедитесь, что шпильки или другие посторонние предметы не попали внутрь изделия. Они могут вызвать сбой в работе или стать причиной опасности, такой, как поражение электрическим током или лазерным лучом.
- Если вы ставите автомобиль на стоянку на длительное время в жаркое или холодное время года, подождите, пока температура в автомобиле не станет нормальной, перед тем как включать изделие.
- НЕ открывайте крышки и не проводите ремонт самостоятельно. Обратитесь к дилеру или квалифицированному персоналу
- Убедитесь, вы отключаете источник питания и антенну, если вы не будете пользоваться системой в течение длительного времени или во время грозы.
- Убедитесь, что вы отключаете источник питания, если обнаружена неправильная работа системы, система издает необычные звуки, запах, выделяет дым или внутрь ее попала жидкость. Проведите квалифицированный технический осмотр системы.
- Прибор разработан так, чтобы отрицательный вывод аккумулятора был подключен к корпусу транспортного средства. Пожалуйста, убедитесь в этом перед установкой.
- Не позволяйте проводам динамиков касаться друг друга при включении прибора. В противном случае, может быть перегружен или выйти из строя усилитель питания.

- Не устанавливайте съемную панель перед подключением кабеля.
- Не снимайте панель во время записи.

## Установка/ подключение

Данное изделие может быть установлено в приборную панель, имеющую показанное ниже отверстие. Приборная панель должна иметь толщину 4,75 – 5,56 мм, чтобы быть способной поддерживать изделие.



1. Вставьте установочную втулку в приборную панель и отогните установочные петли наружу при помощи отвертки.

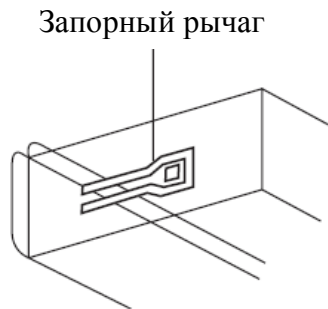
Убедитесь, что запорный рычаг (※) установлен на одном уровне с установочной втулкой (не выступает наружу).

2. Закрепите заднюю сторону изделия.

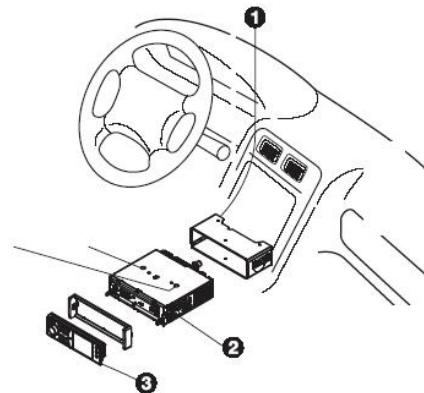
После закрепления установочных болтов и разъема питания зафиксируйте заднюю часть изделия в отсеке магнитолы в автомобиле при помощи резиновой прокладки.

3. Вставьте декоративную панель.

Когда вы готовы вставить переднюю панель, пожалуйста, проверьте ее направление. Если она перевернута, ее невозможно закрепить.



**Внимание:** удалите эти два болта перед установкой. Иначе DVD плеер не будет работать.



## Съемная панель

### **Снятие съемной панели**

- Выключите питание устройства.
- Нажмите на кнопку OPEN, чтобы снять.
- Вытяните панель на себя.

### **Подсоединение съемной панели**

1. Держите панель так, чтобы ее лицевая сторона была направлена на Вас, и установите левую сторону панели в специальный паз ресивера.
2. Нажмите на правую сторону панели, чтобы она защелкнулась.
3. Проверьте, что панель закреплена. Сделайте это сразу же, а не перед началом работы.

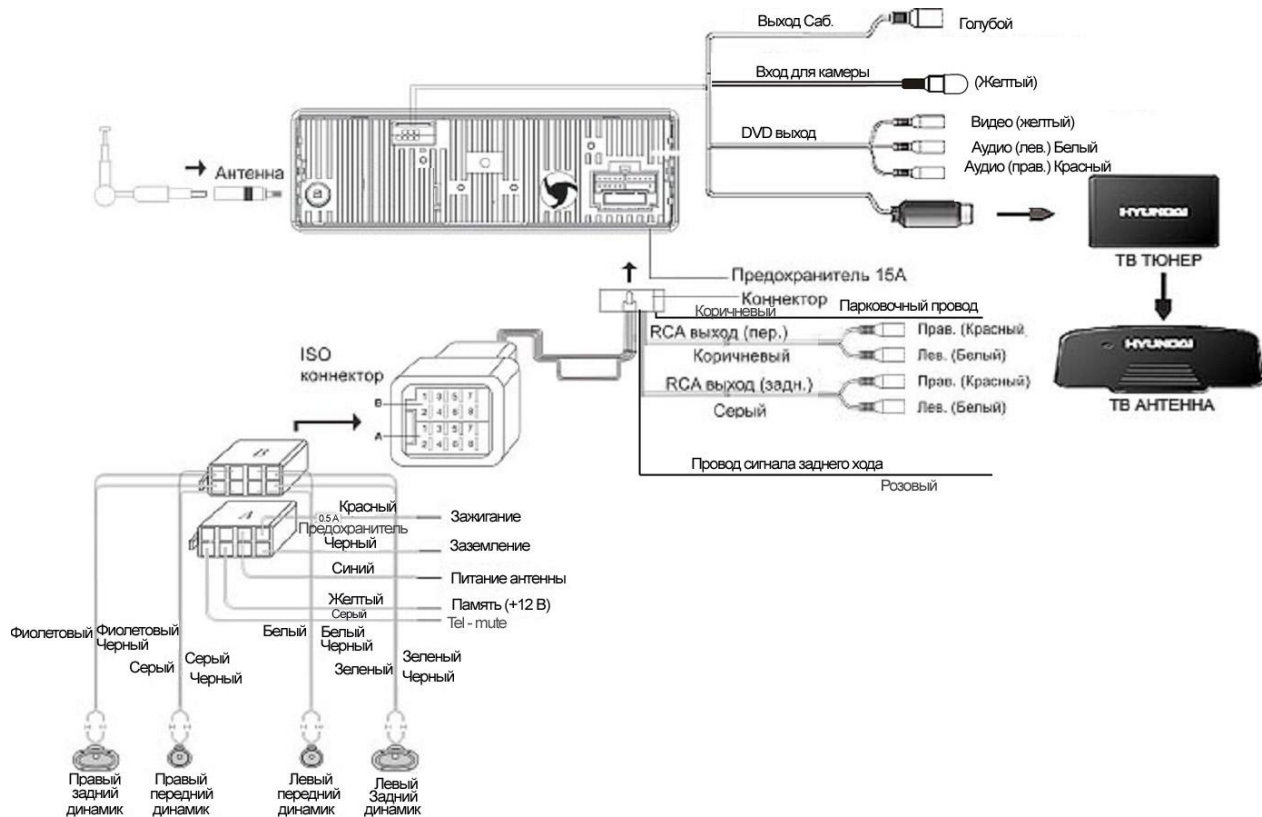
### **Внимание:**

НЕ устанавливайте съемную панель правой стороной. Это может повредить ее.

Панель может повредиться из-за внешних факторов: тряски, ударов. После снятия ее с устройства держите панель в защитном футляре и старайтесь не ронять и не наносить физических повреждений. Очень важным элементом является коннектор на задней части панели. Не нажимайте на него ногтями, ручками, отвертками.

**Примечание:** Если панель загрязнилась или запылилась, протрите ее сухой чистой тканью. Для чистки разъема в задней части панели используйте тампон, смоченный изопропиловым спиртом.

# Схема электрических соединений





**Примечание:**

Если парковочный провод подсоединен к рычагу стояночного тормоза, изображение на дисплее будет переключаться между стандартным режимом и предупредительной надписью к этой функции.

Эта функция отключает видео сигнал во время движения, чтобы водитель не отвлекался от дороги. При активации ручного тормоза видео сигнал снова появляется.

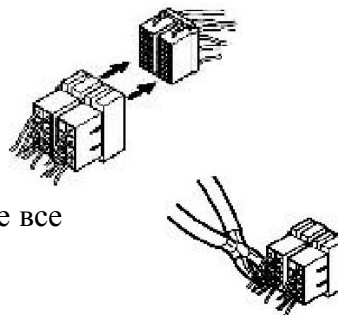


**Внимание:** Не меняйте соединение красного и желтого проводов!!!

Для некоторых моделей необходимо будет изменить соединение проводов питания, как показано на картинке (измененное соединение), во избежание сброса всех настроек устройства после выключения зажигания. Перед установкой свяжитесь с Вашим региональным дилером.

### Использование разъема ISO

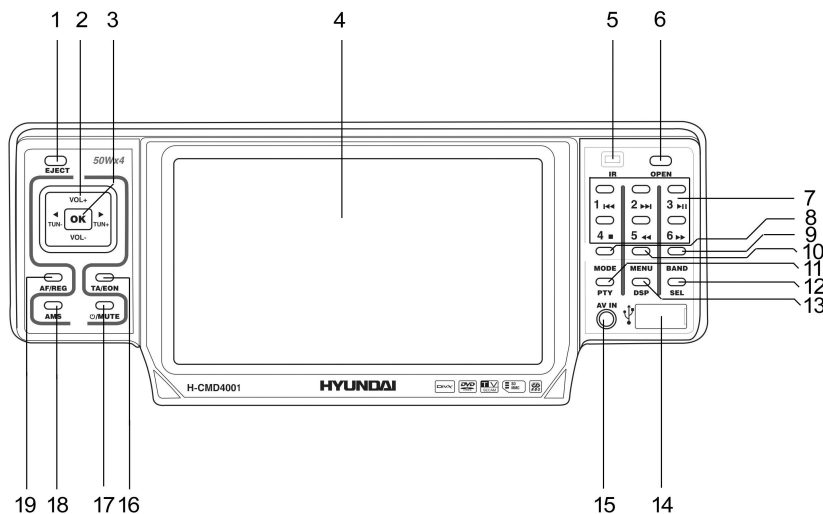
1. Если в Вашем автомобиле есть разъем ISO, произведите подключение, как показано на рисунке.
2. Для подключений без разъемов ISO внимательно проверьте все провода перед подключением, неправильное подключение может привести к повреждениям изделия.
3. Обрежьте разъем, подключите цветные головки разъема к шнуру питания батареи в соответствии с приведенной таблицей.



Номер	Функция	
	Разъем А	Разъем В
1		Задний правый(+)--Фиолетовый
2	Tel-mute (серый)	Задний правый(--Фиолетовый/Черный
3		Передний правый(+)--Серый
4	Питание 12В (+)/желтый	Передний правый(--Серый/Черный
5	Авто антенна /синий	Передний левый(+)--Белый
6		Передний левый((-)--Белый/Черный
7	АСС+/красный	Задний левый(+)--Зеленый
8	Земля/черный	Задний левый(--Зеленый/Черный

# Органы управления

## Передняя панель



1. Кнопка EJECT: нажмите на кнопку, чтобы опустить панель.
2. Кнопки VOL +/-: нажимайте на кнопки, чтобы увеличить или уменьшить уровень громкости. Кнопки TUN-/TUN+: нажимайте эти кнопки, чтобы войти в режим ручной настройки/режим поиска станций.
3. Кнопка ОК: нажмите на кнопку, чтобы войти в меню или для подтверждения настроек.
4. TFT-дисплей
5. ИК сенсор
6. Кнопка OPEN: нажмите на кнопку, чтобы снять панель.
7. Кнопки предварительной установки радио станций [1-6]  
Кнопки ◀▶: нажимайте на кнопки для поиска радиостанций/ перехода к началу предыдущего или следующего трека/ быстрой прокрутки назад или вперед.

Кнопка PLAY/PAUSE: нажмите на эту кнопку, чтобы начать воспроизведение. Нажмите еще раз, чтобы поставить воспроизведение на паузу.

Кнопка STOP: нажмите на эту кнопку, чтобы остановить воспроизведение.

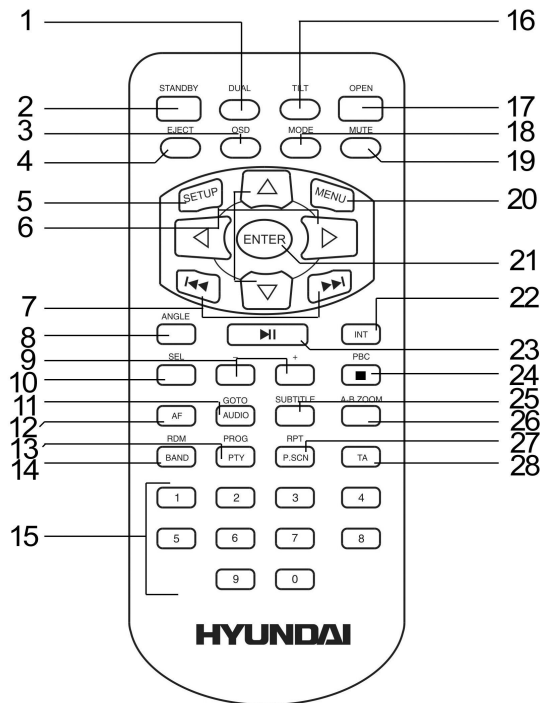
Кнопки ◀/▶: нажмите на эту кнопку, чтобы начать ускоренное воспроизведение назад/ вперед.

8. Кнопка MODE: нажмите на кнопку, чтобы выбрать режим: RADIO (Радио) => DISC (Диск) => USB => SD/MMC (SD/MMC карта) => TV => AV IN.
9. Кнопка BAND: нажмите кнопку для установки диапазона радиоприемника в режиме Радио.
10. Кнопка MENU: нажмите на кнопку, чтобы открыть меню настроек.
11. Кнопка PTY: В режиме Радио, нажмите эту кнопку, чтобы активировать функцию PTY.
12. Кнопка SEL: нажимайте эту кнопку, чтобы выбрать аудио настройку: BASS => TREBLE => BALANCE => FADER => EQ.
13. Кнопка DSP, нажмите, чтобы выбрать режим эквалайзера: FLAT => CALSSICS => POP =>ROCK => DSP OFF.
14. USB разъем
15. Аудио/Видео вход
16. Кнопка TA/EON: нажимайте на кнопку, чтобы включить или выключить функцию TA (дорожных объявлений).  
Нажмите на кнопку и удерживайте в течение 2 секунд, чтобы включить или выключить функцию EON (расширенный прием).
17. Кнопка POWER/ MUTE  
Нажмите на кнопку, чтобы включить питание устройства. Нажмите и удерживайте кнопку, чтобы выключить его.  
Во время воспроизведения нажмите на кнопку, чтобы выключить звук. Нажмите снова, чтобы вернуть звук на прежний уровень.
18. Кнопка AMS. Нажмите и удерживайте, чтобы настроить станции автоматически. Нажмите эту кнопку, чтобы сохранить станцию под цифрой от 1 до 6.

19. Кнопка AF/REG: нажимайте на кнопку, чтобы включить или выключить функцию AF (альтернативных частот).  
Нажмите на кнопку и удерживайте в течение 2 секунд, чтобы включить или выключить функцию REG (региональный/местный прием).

## Пульт управления

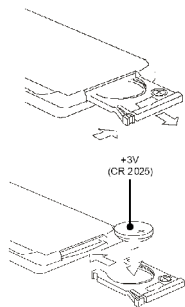
1. Кнопка DUAL - нажимайте на кнопку, чтобы войти в двузоновый режим (воспроизведения диска и радио одновременно).
2. Кнопка STANDBY - нажмите на нее, чтобы включить питание устройства. Нажмите еще раз, чтобы выключить его.
3. Кнопка OSD - нажмите на кнопку, чтобы открыть меню общих настроек.
4. Кнопка EJECT - нажмите на кнопку, чтобы вынуть диск.
5. Кнопка SETUP – в режиме DVD нажмите на эту кнопку, чтобы открыть меню системных настроек.
6. Кнопки курсора ▲/▼/◀/▶ - используйте кнопки курсора ▲/▼/◀/▶ для выбора настроек в меню и их настройки.  
Используйте кнопки курсора ▲/▼ для выбора раздела/ главы.  
Используйте кнопки курсора ◀/▶ для воспроизведения следующего кадра;
7. Кнопки ◀◀/▶▶ - нажимайте на них, чтобы перейти к предыдущему/ следующему треку/ разделу/ главе/каналу.
8. Кнопка ANGLE – нажимайте на нее, чтобы изменять угол просмотра.
9. Кнопки VOL+/- - нажимайте эти кнопки для регулировки громкости.
10. Кнопка SEL - нажмите на нее, чтобы выбрать аудио настройки: BASS => TREBLE => BALANCE => FADER => EQ.



11. Кнопка AUDIO/GOTO - в режиме DVD нажимайте на кнопку, чтобы выбрать язык аудио.  
Во время воспроизведения VCD диска нажимайте на кнопку, чтобы выбрать канал: Mono left => Mono right => Mix mono => Stereo.  
Go to: в режиме DVD нажмите и удерживайте эту кнопку в течение 2х секунд, чтобы выбрать главу/трек/время.
12. Кнопка AF - в режиме RADIO нажмите на кнопку, чтобы включить/ выключить функцию AF (альтернативных частот).
13. Кнопка PROG/PTY – во время воспроизведения нажмите на кнопку, чтобы открыть окно поиска. В режиме RADIO нажмите на кнопку для включения функции PTY (выбора программы).
14. Кнопка RDM/BAND - во время воспроизведения нажмите на кнопку, чтобы начать случайное воспроизведение.  
В режиме RADIO нажимайте на кнопку для выбора диапазона радиоприемника.
15. Кнопки с цифрами 0-6 используются для выбора нужного диапазона, в DVD режиме 0-9 для выбора трека.
16. Кнопка TITL - нажимайте на эту кнопку, чтобы изменить угол наклона монитора. Вы можете выбрать количество позиций от 3 до 5.
17. Кнопка OPEN - нажмите на эту кнопку, чтобы открыть/ закрыть монитор.
18. Кнопка MODE - нажимайте на кнопку, чтобы выбрать режим: RADIO => DISC => USB => SD/MMC => TV => AV IN.
19. Кнопка MUTE - нажмите на кнопку, чтобы выключить звук. Нажмите еще раз, чтобы включить еще раз.
20. Кнопка MENU - во время воспроизведения нажмите на кнопку, чтобы открыть меню диска.
21. Кнопка ENTER - нажимайте на эту кнопку для подтверждения настроек.
22. Кнопка INT – нажмите на нее, чтобы включить/выключить функцию Intro (воспроизведение первых 10 секунд каждого трека).

23. Кнопка PLAY/PAUSE - в режиме DVD нажмите на эту кнопку, чтобы начать воспроизведение. Во время воспроизведения нажмите на кнопку PLAY/PAUSE, чтобы поставить воспроизведение на паузу. Нажмите еще раз, чтобы продолжить воспроизведение.
24. Кнопка STOP/PBC - нажмите на кнопку, чтобы остановить воспроизведение. В режиме VCD нажмите и удерживайте эту кнопку в течение 2х секунд, чтобы включить или выключить режим PBC.(Если он поддерживается).
25. Кнопка SUBTITLE – нажимайте на эту кнопку, чтобы выбрать язык субтитров.
26. A-B/ ZOOM – во время воспроизведения нажмите на нее, чтобы начать воспроизведение фрагмента A-B.  
Нажмите на кнопку и удерживайте в течение 2 секунд, чтобы увеличить изображение.
27. RPT/P.SCN - во время воспроизведения нажмите на кнопку, чтобы начать повторное воспроизведение.  
В режиме RADIO нажмите на кнопку, чтобы активировать функцию автоматического сканирования радиостанций.
28. Кнопка TA - В режиме RADIO нажмите на кнопку, чтобы включить/выключить функцию TA.

### **Замена батарей в пульте управления:**



1. Откройте отсек для батарей в направлении, указанном стрелкой.
2. Замените старую батарею на новую (CR 2025 3V), соблюдая полярность.
3. Закройте отсек для батарей.

### **Примечание:**

Не позволяйте детям играть с батарейками.



Неправильное использование батарей может стать причиной перегрева или возгорания, что в свою очередь ведет к пожару.

Утечка батарей может сделать причиной повреждения пульта управления (Срок работы батарей – 6 месяцев при эксплуатации в обычных условиях при комнатной температуре).

Не закорачивайте полюса батареи. Не бросайте батареи в огонь.

### Внутренняя панель

Нажмите на кнопку EJECT на передней панели, чтобы опустить панель. На внутренней панели расположена кнопка EJECT и кнопка RESET.

Нажмите на кнопку OPEN на передней панели, чтобы снять панель.

На внутренней панели расположены разъем для SD/MMC карты и индикатор статуса панели.

Когда Вы опускаете панель, индикатор статуса панели засветится, при удалении панели индикатор начнет мигать.

# Основные операции

---

## Сброс всех настроек и предварительная установка устройства

Включая устройство в первый раз или после перемещения батареи, Вы должны переустановить его. Нажмите EJECT и затем кнопку RESET на панели, все установленные настройки будут стерты, будут установлены заводские установки.

## Кнопка включения питания

Нажмите любую кнопку, чтобы включить устройство.

Нажмите и в течение 2 секунд удерживайте кнопку POWER/MUTE, чтобы выключить питание.

ИЛИ нажмите на кнопку STANDBY на пульте ДУ, чтобы включить устройство.

Нажмите еще раз, чтобы выключить его.

## Регулировка угла наклона монитора

Нажмите на кнопку TILT, чтобы войти в режим изменения угла наклона монитора. Нажимайте на кнопки ◀/▶, чтобы выбрать положение: 0 => 1 => 2 => 3 => 4 => 5 =>6.

## Регулировка уровня громкости

Нажимайте на кнопку VOL +, чтобы увеличить уровень громкости.

Нажимайте на кнопку VOL -, чтобы уменьшить уровень громкости.

**Внимание:** Не допускайте продолжительной работы на максимальном уровне громкости.

## Выключение звука

Когда питание магнитолы включено, нажмите на кнопку POWER/MUTE на панели или на MUTE на пульте ДУ, чтобы выключить звук. Нажмите на кнопку еще раз или нажимайте на кнопки VOL+/-, чтобы включить звук.

## Регулировка настроек аудио

- В режиме Радио нажмите на кнопку SEL, чтобы выбрать одну из настроек аудио: BASS (низкие частоты) => TREBLE (высокие частоты) => BALANCE (баланс левые/ правые динамики) => FADER (баланс задние/ передние динамики) => EQ (эквалайзер).
- Нажимайте на кнопки ▲/▼, чтобы выбрать настройку.
- Нажимайте на кнопки ◀/▶, чтобы отрегулировать настройку.
- Нажмите на кнопку SEL, чтобы сохранить настройку и вернуться к текущему режиму.

**Внимания:** При выключении устройства все настройки будут сохранены.

- При отключения устройства от сети все настройки вернутся к заводским.
- Если при выборе какой-либо настройки Вы в течение 10 секунд ее не регулируете, устройство вернется к текущему режиму, отображаемому на дисплее.

## Регулировка функциональных настроек

- В режиме Радио или DVD нажмите кнопку MENU, чтобы войти в меню функциональных настроек. В режиме TV нажмите кнопку MENU чтобы войти в меню TV и нажмите ее дважды, чтобы войти в режим настройки меню.

Нажимайте на кнопки ▲/▼, чтобы выбрать настройку.

Нажимайте на кнопки ◀/▶, чтобы отрегулировать настройку.

Нажмите на кнопку ОК, чтобы сохранить настройку. Нажмите на кнопку MENU, чтобы вернуться к списку настроек.

- В режиме Радио: AUDIO (аудио) => DUAL (двухзональный режим) => RDS SETUP (настройки RDS) => EXPERT (ЭКСПЕРТ) => CLOCK (ЧАСЫ) => TILT (угол наклона дисплея).
- В режиме DVD: AUDIO (аудио) => PICTURE (изображение) => DUAL (двухзональный режим) => RDS SETUP (настройки RDS) => EXPERT (ЭКСПЕРТ) => CLOCK (ЧАСЫ) => TILT (угол наклона дисплея).
- В режиме TV: AUDIO(аудио) => PICTURE (изображение) => DUAL (двухзональный режим) => RDS SETUP (настройки RDS) => EXPERT (ЭКСПЕРТ) => CLOCK (ЧАСЫ) => TILT (угол наклона дисплея).

- **Меню «АУДИО»**

<b>МЕНЮ</b>	<b>ОПИСАНИЕ</b> (настройка с помощью правой и левой стрелки)
<b>BASS</b>	Поддерживается 10 уровней. Уровень по умолчанию 0.
<b>TREBLE</b>	Поддерживается 10 уровней. Уровень по умолчанию 0.
<b>BALANCE</b>	Поддерживается 10 уровней для правого и левого каналов. По умолчанию правый соответствует левому.
<b>FADER</b>	Поддерживается 10 уровней для фронтального и тылового каналов. По умолчанию фронтальный соответствует тыловому.
<b>EQ</b>	DSP OFF → FLAT → CLASSICS → POP → ROCK → DSP OFF

- **Меню «ИЗОБРАЖЕНИЕ»**

<b>МЕНЮ</b>	<b>ОПИСАНИЕ</b>
<b>RED</b>	Настройка уровня красного. Поддерживается 50 уровней. Уровень по умолчанию 25.
<b>GREEN</b>	Настройка уровня зеленого. Поддерживается 50 уровней. Уровень по умолчанию 25.
<b>BLUE</b>	Настройка уровня синего. Поддерживается 50 уровней. Уровень по умолчанию 25.
<b>BRIGHTNESS</b>	Настройка уровня яркости экрана. Поддерживается 50 уровней. Уровень по умолчанию 25.
<b>CONTRAST</b>	Настройка уровня контрастности экрана. Поддерживается 50 уровней. Уровень по умолчанию 25.
<b>SHARPNESS</b>	Настройка уровня резкости экрана. Поддерживается 15 уровней. Уровень по умолчанию 10.
<b>SCREEN</b>	Настройка размера экрана: 16:9 → 4:3 → FULL (полный).
<b>COLOR RESET</b>	Возвращение настроек цвета, предустановленных по умолчанию. Выберите YES (да) или NO (нет) с помощью навигационных кнопок. Нажимать кнопки ОК или ENTER не нужно.

- Меню «**ДВУХЗОНОВЫЙ РЕЖИМ**»

<b>МЕНЮ</b>	<b>ОПИСАНИЕ</b>
<b>DUAL</b>	Установка функции двузонавого режима. Вкл./Выкл.
<b>KEY</b>	Используйте клавиши CURRENT или DVD.
<b>VOL</b>	Настройка уровня громкости DVD, поддерживается 50 уровней. Уровень по умолчанию 15.

- Меню «**НАСТРОЙКИ RDS**»

<b>МЕНЮ</b>	<b>ОПИСАНИЕ</b>
<b>TA</b>	SEEK (поиск) → ALARM (сигнал)
<b>PI</b>	MUTE (без звука) → SOUND (звук)
<b>RETUNE</b>	LONG → SHORT
<b>MASK</b>	DPI → ALL (все)
<b>EON TA</b>	DX → LOCAL
<b>REG</b>	OFF-ON (вкл.-выкл.)
<b>TA VOL</b>	Регулировка уровня громкости функции TA. Поддерживается 50 уровней. Уровень по умолчанию – 15.

- **Меню «ЭКСПЕРТ»**

<b>МЕНЮ</b>	<b>ОПИСАНИЕ</b>
<b>DX</b>	Поиск радиостанции в режимах DX или LOCAL. DX→LOCAL
<b>STEREO</b>	Настройка стерео- или монорежима радио, STEREO→MONO
<b>BEEP</b>	Настройка звука нажатия клавиши. 2ND (втор.) →ALL (все) → OFF (выкл.)
<b>LOUD</b>	Включение/отключение громкости. OFF (выкл.) → ON (вкл.)
<b>SUB WOOFER</b>	Включение и отключение сабвуфера. OFF (выкл.) → ON (вкл.)
<b>BACKLIGHT</b>	Выберите оттенок фона: MID (средний)→HIGH(высокий)→LOW(низкий)
<b>OSD COLOR</b>	Настройка цвета OSD: DARK BLUE (темно-синий) → VIOLET (фиолетовый) → LIGHT BLUE (голубой)

- **Меню «ЧАСЫ»**

<b>МЕНЮ</b>	<b>ОПИСАНИЕ</b>
<b>CLOCK</b>	Настройка отображения часов. вкл./ выкл.
<b>CLOCK ADJUST</b>	Настройте текущее время

## Функция двузонового режима

DUAL ---функция двузонового режима, подключение DVD и RADIO одновременно.

Нажмите кнопку MENU, для переключения в режим DUAL нажмите кнопку ON/OFF. При нажатии кнопки ON в режиме DVD на экране отобразится DVD/DUAL. При подключении более чем одного монитора DVD OUT воспроизводит DVD, а AMP, LINE OUT и сабвуфер воспроизводят радио.

При выборе OFF, функция двузонового режима не работает. При выборе режима Радио все кнопки на передней панели и ПДУ используются только для переключения функций режима Радио. При выборе режима DVD все кнопки на передней панели и ПДУ используются только для переключения функций режима DVD.

## Функция наклона дисплея

Нажмите кнопку MENU для выбора функции наклона дисплея. Эта функция используется для регулирования угла наклона монитора.

## Выбор режима работы

Нажимайте на кнопку MODE, чтобы выбрать режим работы: RADIO (Радио) => DVD => USB (если устройство USB установлено в устройстве) => SD/MMC (SD/MMC карта, если она установлена в устройстве) => TV=>AV IN=> RADIO (Радио).

При выборе режима Радио нажимайте на кнопку BAND, чтобы выбрать диапазон: FM1, FM2, FM3, AM.

## Операции с дисплеем

Нажимайте на кнопку OSD, чтобы на дисплее отобразить информацию о текущем режиме и время.

## Цифровой тюнер

---

**Внимание:** Сервис RDS (Система радио данных) доступен не во всех регионах. Имейте в виду, что если услуга RDS не доступна в Вашем регионе, то данная функция не будет работать.

### Выбор диапазона

Нажимайте на кнопку MODE, чтобы выбрать режим работы RADIO (Радио).

Нажимайте на кнопку BAND, чтобы выбрать диапазон: FM1, FM2, FM3, MW(AM). На дисплее появятся: диапазон, частота и номер станции, если данная частота записана в память магнитолы.

### Ручной/ автоматический поиск радиостанций

- Ручной поиск: Нажмите на кнопку ◀▶ и удерживайте в течение 2 секунд, чтобы войти в режим ручного поиска. Нажимайте на кнопку ◀▶, чтобы вручную выбрать частоту. Для сохранения найденной станции в память, нажмите и удерживайте в течение 2 секунд кнопку с цифрой. Под этим номером станция будет сохранена.
- Автоматический поиск: Нажмите на кнопку ◀▶, чтобы начать автоматический поиск. Поиск прекратится при приеме первой станции с сильным сигналом, при этом начнется ее воспроизведение. Нажмите еще раз, чтобы найти следующую станцию. Для сохранения найденной станции в память, нажмите и удерживайте в течение 2 секунд кнопку с цифрой. Под этим номером станция будет сохранена.

### Программирование радио станций

Вы можете хранить и воспроизводить 24 радиостанции (18 FM, 6 AM).

- Чтобы сохранить станцию:
  - Выберите диапазон (если нужно).
  - Выберите станцию при помощи кнопок ◀▶ или кнопок с цифрами.
  - Нажмите и удерживайте в течение 2 секунд кнопку с номером 1~6, под которым Вы бы хотели сохранить эту станцию.



- Чтобы вызвать станцию:
  - Выберите диапазон (если нужно).
  - Нажмите на кнопку с номером нужной сохраненной станции 1~6.

### Прослушивание сохраненных станций

Нажмите на кнопку RPT/P.SCN на пульте ДУ, чтобы прослушать все сохраненные в текущем диапазоне станции в течение 5 секунд. Во время прослушивания номер каждой станции будет мигать на дисплее. Чтобы остановить прослушивание, снова нажмите на кнопку.

### Функция AF (Альтернативные частоты)

При слабом сигнале функция Альтернативных частот позволяет приемнику настраиваться на другие станции с тем же идентификационным кодом, что и текущая станция, но с более сильным сигналом. При этом вместо частоты на дисплее появится название станции.

1. Нажмите AF, чтобы включить функцию AF. При включенном режиме AF радио постоянно проверяет силу сигнала альтернативных частот, на которых может транслироваться RDS программа.
2. Функция AF появится на дисплее. Во время поиска AF будет мигать. Если сигнал слабый или исчезает, тюнер будет автоматически искать другую частоту с этой программой.

### Функция TA (Программы о дорожном движении)

Нажмите и удерживайте в течение 2 секунд кнопку TA/EON, чтобы включить или выключить функцию TA.



## ФункцияPTY (Тип программы)

FM-станции, поддерживающие RDS, передают идентифицирующий сигнал типа программы.

1. Нажмите на кнопкуPTY, чтобы активировать режимPTY. На дисплее появится предыдущий тип программы.
2. Нажмите на кнопкуPTY второй раз или два, чтобы выбрать группу: Музыкальная группа или Голосовая группа. Затем при помощи 6 кнопок предварительной установки выберите нужный тип программы выбранной группы.

Используйте ниже приведенную таблицу:

Номер кнопки	Музыкальная группа	Голосовая группа
1	POP,	NEWS, JAZZ, CULTURE ,SOCIAL
2	ROCK	RELIGION, COUNTRY, AFFAIRS SCIENCE
3	EASY, NATION	VARIED, INFO, PHONE IN
4	LIGHT	WEATHER, OLDIE, SPORT, TRAVEL
5	CLASSICS ,FOLK	EDUCATE, FINANCE, LEISURE
6	OTHER	DOCUMENT, DRAMA ,CHILDREN

3. При включенной функцииPTY приемник начинает поиск соответствующего типа программы. И останавливается, когда программа найдена.

Если в течение 2 секунд ни одна программа не была выбрана, приемник настроится на предыдущую программу. Если за один цикл нужный тип программы не найден, на экране отобразится надпись NOPTY, приемник вернется к текущему режиму, NOPTY погаснет.

4. Нажмите на кнопку PTY еще раз, чтобы выключить функцию PTY.

### Функция REG

Нажмите и удерживайте кнопку AF/PTY в течение 2 секунд, чтобы выбрать режим REG.

- Чтобы включить режим REG, нажмите ON (Включенный региональный режим):  
На дисплее будет гореть надпись радиостанции.
- Чтобы выключить режим REG, нажмите на OFF (Выключенный региональный режим).

### Функция EON (расширенный диапазон)

При получении данных EON на дисплее загорится индикатор EON, при этом возможности функций TA и AF существенно расширятся.

TA: Приемник принимает передачи о дорожном движении не только местных станций, но и станций других диапазонов.

AF: за счет расширенного диапазона частотный диапазон принимаемых систем радио данных увеличивается.

EON дает возможность приемнику принимать большее количество информационных программ, а также обновлять альтернативные частоты, которые уже хранятся в памяти. Если приемник настроится на передачу, транслируемую региональной станцией, в дальнейшем Вы сможете принимать эту же передачу на альтернативных частотах или с другой станции, которая предоставляет эту передачу. Система EON также позволяет осуществлять быстрый доступ к локальным станциям.

## Воспроизведение файлов с SD/MMC-карт и USB-устройств

---

**Внимание:** функция поддержки карт памяти MMC и USB-устройств - опция.

### Установка SD/MMC-карты и USB-устройства

1. Включите питание устройства.
2. Установите USB-устройство в разъем USB на передней панели магнитола. Магнитола автоматически перейдет в режим USB. Начнется воспроизведение первого трека устройства.
3. Для установки карт памяти SD/MMC нажмите на кнопку OPEN на панели, чтобы снять ее, затем установите SD/MMC-карту в соответствующий слот на внутренней панели. Магнитола автоматически перейдет в режим SD/MMC. Начнется воспроизведение первого трека устройства.
4. Вы также можете выбрать режим работы при помощи кнопки MODE.

### Примечания по USB/ SD/ MMC разъемам

Воспроизведение MP3 файлов с USB карт (флеш-память).

1. Поддержка карт памяти SD/ MMC, 2в1 (SD/MMC).
2. Поддержка USB флеш-карты.
3. Поддержка FAT 12/ FAT 16/ FAT 32  
FAT 12/ 16 (поддержка 200 папок, 500 файлов),  
FAT 32 (поддержка 200 папок, 500 файлов).  
Имя файла: 32 байта/ имя папки: 32 байта.  
Тэг (id3tag ver 2.0)  
Имя/ Исполнитель/ Альбом: поддержка 32 байтов.
6. Многофункциональный карт-ридер НЕ ПОДДЕРЖИВАЕТСЯ.
7. Поддержка формата USB 2.0.

**Примечание:**

**USB:** Поддержка формата USB 2.0. Емкость: до 2х Гб.

**SD:** Поддержка брендов SD карт памяти: Cannon, Fuji film, Palm, Motorola, Microsoft, IBM, HP, Compaq, Sharp, Samsung, и т. д. Емкость: до 2х Гб.

**MMC:** Поддержка брендов MMC карт памяти: Ericsson, Nokia, Motorola, HP, Palm, Sanyo, Microsystems, и т.д. Емкость: до 2х Гб.

# Воспроизведение дисков

---

## Используемая терминология

### **РВС (управление воспроизведением)**

Управление воспроизведением – это меню, записанное на видео компакт-дисках. Использование экранов меню, предоставляемых видео компакт-дисками с РВС, позволяет Вам пользоваться простыми интерактивными программами с функциями поиска. Вы также можете просматривать неподвижные изображения с высоким разрешением.

### **Раздел**

Раздел – это важная и необходимая часть записи на DVD-дисках. Объем диска очень велик, что позволяет записывать несколько фильмов на одном диске. Например, если один диск содержит три разных фильма, они подразделяются как Раздел 1, Раздел 2 и Раздел 3. Это позволяет Вам пользоваться удобными функциями поиска.

### **Глава**

Любой Раздел может состоять из отдельных блоков, каждый из которых можно просматривать отдельно. Такой блок называется главой. В каждой главе должно содержаться не меньше одного трека.

### **Трек**

Трек – это основная часть видеодиска. Фактически каждая песня, записанная на диске с караоке песнями, является треком.

## Диски для воспроизведения

- Это устройство может воспроизводить все цифровые аудиодиски:  
DVD/SVCD/VCD/HDCD/MP3/MP4/WMA/CDDA/Picture-CD/JPEG/CD-R/-RW/DVD±R/±RW.
- Поддерживаются следующие типы файлов:  
Аудио файлы: MP3 (\*.mp3)  
WMA (\*.wma)  
Видео файлы: MP4 (\*.avi, DIVX3.11/4.0/5.0/6.0 and XVID)  
MPEG 2(\*.vob)  
MPEG 1(\*.dat)  
Файлы с изображениями: JPEG (\*.jpg)
- ISO 9660 или ISO 9660 + формат Joliet - максимум 30 знаков.
- Максимальное число треков – 448.
- Максимальное число вложений - 8 уровней.
- Максимальное число альбомов – 99.
- Максимальная длина каждого трека - 99 минут 59 секунд.
- Поддерживаемая частота дискретизации для MP3 диска: от 8 кГц к 48 кГц (предпочтительно 44,1 кГц).
- Поддерживаемые скорости цифрового потока R3 диска: 32 - 320 Кб/сек (предпочтительно 128 Кб/сек).
- НЕ ПОДДЕРЖИВАЮТСЯ следующие форматы: \*.ACC, \*.DLF, \*.M3U, \*.PLS, MP3 PRO, файлы с DRM.
- Диски с открытой сессией НЕ ПОДДЕРЖИВАЮТСЯ.



## Загрузка дисков

Перед тем как извлекать или помещать диск, убедитесь в том что экран расположен под углом 0 градусов, чтобы избежать поломки устройства или повреждения диска.

1. Включите питание устройства.
2. Нажмите на кнопку EJECT на панели, чтобы открыть ее.
3. Установите диск в слот на внутренней панели. Магнитола автоматически перейдет в режим DISC (Диск). На дисплее отобразятся данные, содержащиеся на диске.
4. Нажмите кнопку EJECT чтобы извлечь диск. Если диск не будет снят с лотка, то через 10 секунд он загрузится обратно автоматически.
5. Вы также можете выбрать режим работы при помощи кнопки MODE.

## Воспроизведение/ Пауза

Чтобы обеспечить высокое качество воспроизведения, дождитесь, пока плеер закончит читать диск, а затем нажмите на кнопку PLAY/PAUSE, чтобы начать воспроизведение.

Во время воспроизведения нажмите на кнопку PLAY/PAUSE, режим паузы активируется. Нажмите на кнопку еще раз, чтобы продолжить воспроизведение.

## Переход к предыдущему или следующему треку

1. Нажмите во время воспроизведения на кнопку ◀, чтобы начать воспроизведение предыдущего трека.
2. Нажмите во время воспроизведения на кнопку ▶, воспроизведение начнется со следующего трека.
3. При помощи кнопок 1-9, 0, 10+ введите номер нужного трека.

## Ускоренное воспроизведение вперед или назад

Нажмите во время воспроизведения кнопку ◀/▶ на панели, чтобы выбрать скорость перемотки назад или вперед: X2, X4, X8, X16, X32. Нажмите на кнопку PLAY/PAUSE, чтобы вернуться к нормальному воспроизведению.

**Внимание:** Во время воспроизведения дисков, когда ускоренное воспроизведение достигает начала следующего трека, возобновляется нормальный режим воспроизведения.

## Повтор воспроизведения

Во время воспроизведения треков нажмите на кнопку RPT на пульте ДУ, чтобы начать повторное воспроизведение всех треков:

- Для VCD/CD дисков: выберите Повтор. один => Повтор. все => Отмена. (Эта функция не всегда поддерживается дисками.)
- Для DVD дисков: выберите Повтор главы => Повтор раздела => Отмена.
- Для файловых дисков: выберите Файл => Папка => Все => Отмена.

## Повтор отрывка А-В

1. Во время воспроизведения на том моменте, с которого Вы хотели бы начать повтор (точка А), нажмите на кнопку А-В на пульте ДУ.
2. На том моменте, до которого Вы хотите произвести повторное воспроизведение (точка В), нажмите на кнопку А-В еще раз. Повторное воспроизведение отрывка А-В начнется автоматически.
3. Чтобы остановить воспроизведение нажмите на кнопку еще раз.

## Случайное воспроизведение (только для дисков CD/VCD/MP3)

Во время воспроизведения треков нажмите на кнопку RDM на пульте ДУ, чтобы начать случайное воспроизведение всех треков. Нажмите еще раз, чтобы отменить.

## Функция Intro (только для CD/VCD)

Вы можете последовательно воспроизводить начало каждого трека в течение 15 секунд. Во время воспроизведения треков нажмите на кнопку INT на пульте ДУ, чтобы начать воспроизведение всех треков. Нажмите еще раз, чтобы отменить.

## PBC (Управление воспроизведением) (только для VCD дисков)

Если вы вставляете VCD с функцией PBC, автоматически начинается воспроизведение с начала 1-ого трека.

1. Нажмите на кнопку PBC на пульте ДУ, чтобы во время воспроизведения активизировать интерактивное меню на экране.
2. Если меню состоит из списка разделов, Вы можете непосредственно выбирать последовательность их воспроизведения при помощи кнопок «⏮/⏭» и кнопок с цифрами – для ввода номеров разделов.
3. При вводе номера воспроизведение начнется автоматически, при выборе раздела нажмите кнопку PLAY/ PAUSE, чтобы начать его воспроизведение.
4. Нажмите STOP на пульте ДУ, чтобы возвратиться к меню диска VCD.
5. Снова нажмите PBC, чтобы выйти из меню.

## Программирование воспроизведения

1. Нажмите на кнопку PROG на пульте ДУ, чтобы открыть окно программирования. При помощи кнопок курсора ▲, ▼, ◀, ▶ и кнопок с цифрами выделите позицию и введите номер трека, который должен быть воспроизведен на этом месте.

Для дисков DVD и дисков с файлами введите номера разделов и глав.

Для VCD и CD дисков введите номера треков.



2. Нажмите на кнопку PLAY/ PAUSE или наведите выделение на «PLAY» и нажмите на кнопку ENTER, чтобы начать воспроизведение запрограммированного списка.
3. Если Вы хотите очистить список, выберите пункт «CLEAR» и нажмите на кнопку ENTER.
4. Снова нажмите на кнопку PROG, чтобы выйти из режима программирования.

### Выбор различных звуковых режимов

- Для **DVD дисков**: многократно нажимайте кнопку AUDIO на пульте ДУ, чтобы выбрать язык аудио сопровождения (только для дисков, поддерживающих несколько языков аудио сопровождения).
- Для **VCD дисков**: многократно нажимайте кнопку AUDIO, чтобы выбрать следующие режимы:
- L mono → R mono → Mix mono → Stereo (Левый канал => Правый канал => ПЛ моно => Стерео)

### Изменение языка субтитров (только для DVD дисков)

С помощью этой функции Вы можете выбрать предпочитаемый язык, на котором будет воспроизведено меню. Когда Вы выберете язык, записанный на диске, язык будет автоматически устанавливаться. Если нет, меню будет воспроизводиться на первом языке, который записан на диске.

Во время воспроизведения язык субтитров находится в пусковой установке диска. Нажмите кнопку SUBTITLE на пульте ДУ для переключения среди поддерживаемых диском языков. Если диск поддерживает только одни субтитры, функция не будет работать. Если в течение 5 секунд не будут выполнены никакие операции, описание языка исчезнет.

### Изменение угла (только для DVD дисков)

Если DVD-диск поддерживает воспроизведение с различных точек съемки, нажмите на кнопку ANGLE на пульте ДУ для воспроизведения изображений с различных точек съемки. Если диск не поддерживает

много-угловое воспроизведение, эта функция не будет работать. Если в течение 1 секунды не будут выполнены никакие операции, описание точек съемки исчезнет.

### Изменение масштаба изображения

Нажмите на кнопку ZOOM на пульте ДУ. Изображение при каждом нажатии будет увеличиваться в порядке: X2 => X3 => X4 => Нормальное воспроизведение.

## **Обзор MP3**

---

### **Примечание по MP3:**

- MP3 это краткое обозначение аудио слоя MPEG 3 и относится к стандарту технологии сжатия звука.
- Данное изделие позволяет воспроизводить файлы MP3 на дисках CD-ROM, CD-R или CD-RW.
- Изделие может считывать файлы MP3, записанные в формате, соответствующем ISO 9660. Однако оно не поддерживает данные MP3, записанные методом пакетной записи.
- Изделие не может считывать файлы MP3, которые имеют расширение файла, отличающееся от “.mp3”.
- Если вы воспроизводите не MP3 файл, который имеет расширение “.mp3”, вы можете слышать некоторые шумы.
- В данном руководстве мы рассматриваем файлы, называемые “файлами MP3” и “папкой”, а в технологии PC “дорожкой” и “альбомом” соответственно.
- Максимальное количество уровней директории равно 8, включая корневую директорию. Максимальное количество файлов и папок на диске 448.
- Изделие может не воспроизводить дорожки в последовательном порядке.
- Изделие воспроизводит только аудио треки, если диск содержит как аудио треки, так и файлы MP3.
- При воспроизведении диска 8 килобит или VBR, истекшее время воспроизведения в окне дисплея будет неправильным, а также ознакомительное воспроизведение может не действовать надлежащим образом. VBR: Переменная скорость передачи битов.

### **Примечание по созданию собственных CD-R или CD-RW, содержащих файлы MP3:**

- Для получения высокого качества звука мы рекомендуем преобразовывать файлы MP3 с эталонной частотой 44,1 кГц и фиксированным битрейтом 128 Кбит/сек.
- НЕ сохраняйте более 448 файлов MP3 на диске.
- Для формата, совместимого с ISO 9660, максимально допустимая глубина вложенных папок равняется 8, включая корневую директорию (папку).
- При использовании диска CD-R воспроизведение возможно только для дисков, которые были закончены.
- Убедитесь, что при записи MP3 CD-R или CD-RW были отформатированы как диски данных, а НЕ как аудио диски.
- Вы не должны записывать не-MP3 файлы или ненужные папки вместе с файлами MP3 на диск, в противном случае потребуется много времени, пока изделие начнет воспроизводить файлы MP3.
- На некоторых CD-R или CD-RW данные могут не быть записаны надлежащим образом в зависимости от качества их производства. В этом случае данные могут быть воспроизведены не надлежащим образом. Рекомендуются диски CD-R или CD-RW высокого качества.
- Имя альбома или композиции может содержать до 16 символов. Необходима версия 1.x ID3TAG.
- Помните, что изделие может не воспроизводить треки в том порядке, в котором они записаны на диске.

# Настройки DVD

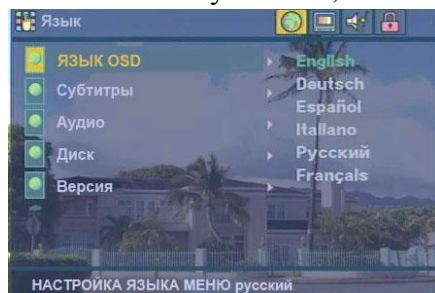
---

Нажмите на кнопку **SETUP**, чтобы войти в меню настроек DVD. Нажмите кнопку **SETUP**, чтобы войти в главное меню настроек системы; нажимайте кнопки ◀/▶ для выделения пункта меню и выберите одну из страниц настроек:

- Язык
- Дисплей
- Аудио
- Родительское ограничение

## 1. Установка языка

Нажмите кнопку **SETUP**, затем **ENTER**, чтобы войти в меню настроек языка.



### **[1] Установка языка меню OSD:**

С помощью этой функции выберите язык экранного меню (OSD) - один из 6 языков, который будет отображаться на дисплее Вашего экрана.

### **[2] Установка языка субтитров:**

С помощью этой функции вы можете выбрать предпочитаемый язык субтитров. Когда нужный язык будет выбран на диске и записан, он будет воспроизводиться автоматически. Если Вы не выберите язык, то в этом случае будет воспроизводиться первый язык, записанный на диске.

### [3] Установка языка аудио:

Из языков, содержащихся на DVD-диске, выбирает язык звукового сопровождения для него. Если вы не выбрали язык, то в этом случае будет воспроизводиться первый язык, записанный на диске.

Примечание: не все диски имеют записанные языковые установки.

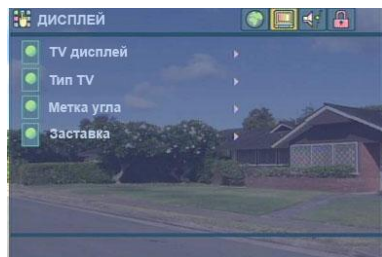
### [4] Установка языка меню Диск:

Из языков, содержащихся на DVD-диске, выберите нужный язык его меню. Если вы не выбрали язык, то в этом случае будет воспроизводиться первый язык, записанный на диске.

### [5] Версия прошивки:

С помощью этой опции вы можете узнать версию прошивки устройства.

## 2. Настройки дисплея



### [1] TV дисплей:

Настройка соотношения сторон TFT экрана:

Предусмотрены три режима работы экрана с разным соотношением сторон: Обычный/PS (4:3 Pan Scan), Обычный/LB (4:3 Letterbox) и Широкий (16:9). При воспроизведении дисков разных форматов изображение будет отличаться в зависимости от этих настроек и размера экрана.



## [2] Тип TV:

Выберите систему телевещания в меню настроек.

**Примечание:** PAL обычно используется в Европе, NTSC – в США и Японии. Авто обычно используется автоматически.

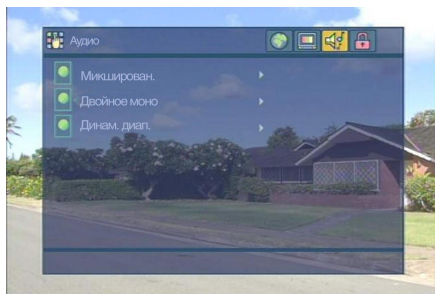
## [3] Метка угла:

Если вы выбрали эту функцию, то при воспроизведении формата DVD на экране отобразится метка угла. Это позволяет просматривать DVD с функцией переключения угла ракурса изображения (multi angle DVD).

## [4] Заставка:

Если вы выбрали эту функцию, то при воспроизведении формата DVD экран входит в режим хранителя экрана при остановке воспроизведения более чем на 3 минуты.

## 3. Настройки аудио



### [1] Микширование:

Нажмите кнопку ENTER, чтобы войти в подменю. Если вам нужен аналоговый стереосигнал, выберите режим воспроизведения аудио «STEREO». Если вам нужен стереорежим Dolby Pro Logic (декодируемый сигнал создает двухканальный эффект реальности), выберите «LT/RT».

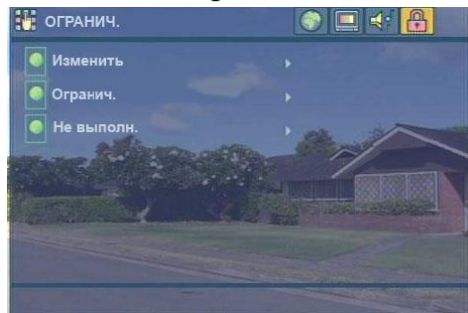
### [2] Двойное моно:

Выберите режим выхода левого и правого каналов. Stereo – обычный стереорежим; L-Mono – весь звук воспроизводится левым каналом; R-Mono – весь звук воспроизводится правым каналом. Функция «Mix-Mono» доступна только при воспроизведении диска DVD в формате DTS 5.1.

### [3] Динамический диапазон

Данная функция предназначена для настройки уровня динамической компрессии звукового сигнала. Стандартная настройка – «OFF» (ВЫКЛ.).

## 4. Установка родительского ограничения:



### [1] Изменение:

С помощью этой опции вы можете изменять уровень защиты пароля. Пароль по умолчанию 0000.

**[2] Родительское ограничение:**

Для DVD дисков с функцией рейтинга родители могут устанавливать запрет на просмотр диска, содержание которого может быть недопустимо для детей.

**[3] Установки по умолчанию:**

С помощью этой опции вы можете отменить установленные вами настройки и вернуть установки по умолчанию.

<b>Значение</b>	<b>Описание</b>
<b>1.</b>	Нет ограничений для детей
<b>2.G</b>	Допускаются зрители всех возрастов.
<b>3.PG</b>	Рекомендуется присутствие родителей. Некоторый материал, возможно, не подходит для детей.
<b>4.PG-13</b>	Настоятельное предостережение родителям. Некоторый материал может быть неподходящим для детей до 13 лет.
<b>5.PG-R</b>	Ограничение. Подростки до 17 лет допускаются на фильм только в сопровождении родителей
<b>6.R</b>	Ограничение. Подростки до 17 лет допускаются на фильм только в сопровождении родителей
<b>7.NC-17</b>	Лица, не достигшие 17 лет, на фильм не допускаются
<b>8.Взрослые</b>	Допускаются лица только старше 17 лет

# ТВ

---

1. Подключите блок ТВ тюнера и нажмите кнопку MODE, чтобы выбрать режим TV.
2. В режиме TV нажмите кнопку MENU, чтобы войти в меню настроек ТВ.
3. Используйте кнопки ▲/▼, чтобы выбрать одну из страниц настроек: Авто программирование => Программирование вручную.
4. Нажмите кнопку ОК, чтобы войти на выбранную страницу.
5. Нажимайте кнопки ▲/▼, чтобы выбрать нужную настройку.
6. Нажмите кнопку ОК, чтобы подтвердить выбор, затем нажмите кнопку MENU, чтобы вернуться к списку настроек.

Примечание: данная функция доступна только при подключенном ТВ тюнере.

## МЕНЮ ТВ

### Авто программирование (Режим автоматического поиска)

- Система

Выберите этот пункт меню, чтобы настроить систему видео: PAL=>SECAM1=> SECAM2; нажмите кнопку ОК для выбора.

- Аудио

Выберите этот пункт меню, чтобы настроить систему звука: audio1 => audio2 => audio3; нажмите кнопку ОК для выбора.

- Поиск

Выберите этот пункт меню для автоматического поиска и сохранения станций.

### Программирование вручную (Режим ручного поиска)

- Сохранение

Выберите этот пункт меню, чтобы установить номер, под которым будет сохранена станция.

- Система

Выберите этот пункт меню, чтобы настроить систему видео: PAL=>SECAM1=> SECAM2; нажмите кнопку ОК для выбора.

- **Аудио**

Выберите этот пункт меню, чтобы настроить систему звука: audio1 => audio2 => audio3; нажмите кнопку ОК для выбора.

- **Канал**

Выберите этот пункт меню, чтобы выбрать нужный канал; изменение выбранного канала осуществляется с помощью кнопок ◀/▶.

- **Настройка**

Выберите этот пункт меню, чтобы выполнить точную настройку изображения и звука для достижения их оптимального качества; настройка выполняется с помощью кнопок ◀/▶.

- **Память**

При включении данной функции найденные каналы будут сохраняться в памяти. Для включения или отключения функции нажмите кнопку ОК.

## **Другие функции**

---

### **Камера заднего вида**

Данное устройство оснащено выходом для камеры заднего вида. Камера используется для наблюдения за происходящим позади автомобиля во время движения задним ходом.

Подсоедините камеру заднего вида к выходу для камеры заднего вида. И подсоедините провод сигнала заднего хода к фонарю задней передачи. Изображение камеры заднего вида будет активировано при движении автомобиля задним ходом.

### **Заглушение звука**

Звук аудио системы автоматически заглушается при наличии входящего звонка.

**Примечание:** Данная функция не работает, если устройство не подключено к телефону с помощью провода Tel.mute (см. схему подключений).

1. При входящем звонке работа устройства временно прерывается.

2. При завершении звонка устройство возвращается в предыдущий режим работы; предыдущий уровень громкости восстанавливается.

### **Сабвуфер**

Подключите сабвуфер к ресиверу (Выход. Саб. на схеме подключений). Нажмите кнопку MENU, выберите EXPERT и установите SUBWOOFER ON, чтобы включить сабвуфер.

## **Система против кражи**

---

### Снятие панели

1. Выключите питание устройства, нажав на кнопку POWER.
2. Нажмите на кнопку OPEN, чтобы снять панель.
3. Вытяните панель на себя.
4. Положите панель в специальный футляр и возьмите его с собой, когда будете покидать машину.

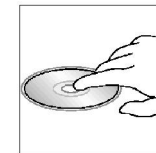
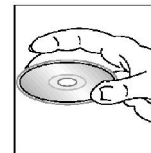
### Съем изделия

1. Снимите панель.
2. Вставьте два Т-образных ключа в отверстие лицевой стороны, пока не услышите щелчок.
3. Выньте изделие.

## **Обращение с дисками**

---

- Грязные, поцарапанные или погнутые диски могут вызвать искажение звука или шумы
- Держите диск только за края (как показано на рисунке). Чтобы обеспечить чистоту, не прикасайтесь к его поверхности.
- Диски должны храниться в их чехлах после использования, чтобы не поцарапать их поверхность.



- Не подвергайте диски действию прямого солнечного света, повышенной влажности, повышенным температурам или действию пыли.
- Продолжительное влияние предельных температур может изогнуть диск (например, пребывание дисков в автомобиле в летнее время).
- Не царапайте и не пишите что-либо на любой стороне диска. Острые пишущие инструменты или чернила, используемые в них, могут повредить поверхность диска.
- НЕ ПРИКАСАЙТЕСЬ к стороне, не имеющей маркировки.
- НЕ ПРИКРЕПЛЯЙТЕ какую-либо печать, этикетку или лист предохранения данных к любой стороне диска.

## **Чистка и уход**

---

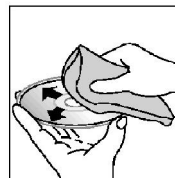
### Чистка корпуса

Протирайте мягкой тканью. Если корпус очень загрязнен (не мочите его), используйте ткань, слегка смоченную мыльным раствором, и затем вытрите его сухой тканью.

### Чистка дисков

Отпечатки пальцев должны быть тщательно стерты с поверхности диска мягкой тканью. В отличие от обычных пластинок, компакт-диски не имеют канавок для сбора пыли и микроскопических частиц грязи, поэтому осторожно вытирайте их мягкой тканью, чтобы убрать частицы грязи. Вытирайте прямолинейным движением от центра к краю.

Никогда не используйте растворитель, бензин, очиститель пластинок или антистатический аэрозоль для чистки дисков. Такие химические вещества могут повредить его пластиковые поверхности.





## Руководство по устранению неисправностей

Неисправность	Причина	Решение
Нет питания	Зажигание машины не включено.  Сгорел предохранитель.	Если источник питания подключен надлежащим образом к выключателю машины, установите ключ зажигания в положение “АСС”. Замените предохранитель.
Невозможно загрузить диск	В плеер установлен диск.	Удалите диск из плеера, затем установите новый.
Невозможно считать диск	Диск установлен верхней стороной вниз. Диск загрязнен или имеет дефект. Температура внутри машины очень высокая.	Установите компакт диск стороной с этикеткой вверх. Очистите диск или установите новый. Подождите, пока температура не станет нормальной.
Нет звука	Звук установлен на минимум. Кабель не подключен надлежащим образом.	Отрегулируйте звук до необходимого уровня. Проверьте подключение кабеля.
Не действуют функциональные ключи	Встроенный микрокомпьютер не работает надлежащим образом из-за шумов. Передняя панель не установлена на свое место.	Нажмите кнопку RESET.  Повторно установите переднюю панель.
Звук пропадает	Угол установки более 30 градусов.  Диск загрязнен или имеет дефект.	Отрегулируйте угол установки, установив его менее 30 градусов. Очистите диск или установите новый.
Радио не работает. Не работает автоматический выбор радиостанции	Антенный кабель не подключен. Сигналы слишком слабы.	Вставьте антенный кабель надежно. Выберите станцию вручную.

## Технические характеристики

---

Общие	
Источник питания:	12 В
Потребляемый ток:	Максимум 15 А
Максимальная выходная мощность:	50 Вт x 4 канала
Поддерживаемые носители	DVD/DVD±R/DVD±RW/CD/CD-R/CD-RW/USB/SD/MMC
Форматы воспроизведения:	DVD/SVCD/VCD/HDCD/MP3/WMA/CDDA/Picture-CD/JPEG playback
Размеры (Д x Ш x В)/ Вес:	202 x 188 x 71 мм / 2 кг
Рабочий диапазон температур:	-10°C - +60°C
Функция ESP	40 с для Аудио CD, 120 с для MP3
ЖК дисплей	
Размер дисплея:	4.3"
Разрешение:	480x272 dpi
Формат:	4:3/16:9
Контрастность:	1000:1
Яркость:	500 кд/м <sup>2</sup>
Сtereo FM радио	
Частотный диапазон:	65,0 – 74,0/87,5 – 108,0 МГц
Используемая чувствительность:	≤1 мВ
Память цифрового тюнера	18 станции
АМ радио	
Частотный диапазон:	522-1620 КГц
Память цифрового тюнера	6 станций
Аудио	

Максимальный уровень сигнала на выходе:	2 В RMS (+/-3 дБ)
Частотный диапазон:	30 Гц – 18 КГц
Уровень сигнал-шум (A-vtd):	68 дБ
DSP процессор	Classic, Rock, Pop, Flat
TV	
Color system	PAL/SECAM/NTSC
Sensitivity	65 дБ
Линейный выход	
Линейные выходы:	2 линейных RCA выхода (2V) Разъем выхода на сабвуфер
Выход:	CD макс. 2000 мВ

**Технические характеристики могут быть изменены заводом-изготовителем без предварительного уведомления.**

**Указанные масса и геометрические размеры имеют приблизительные значения.**

