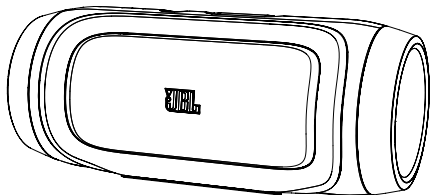


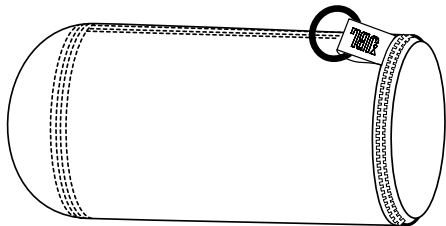
JBL® CHARGE

Quick Start Guide

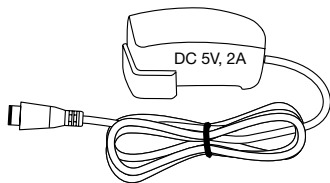




1x



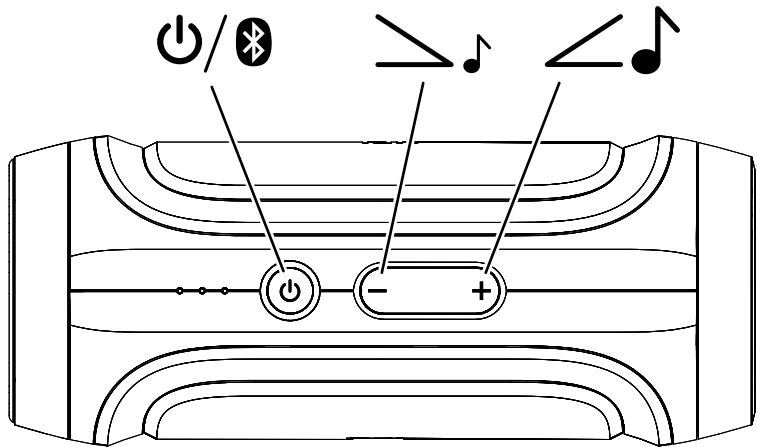
1x

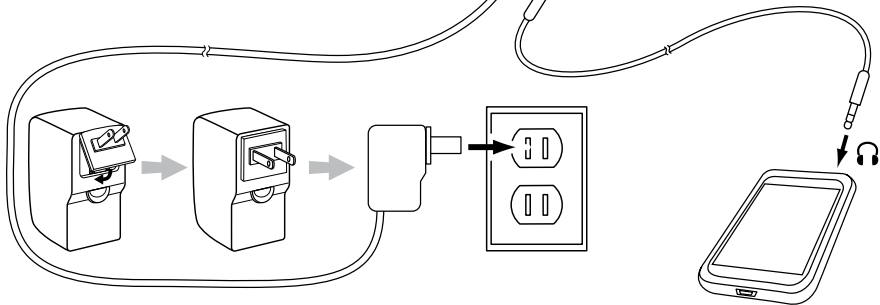
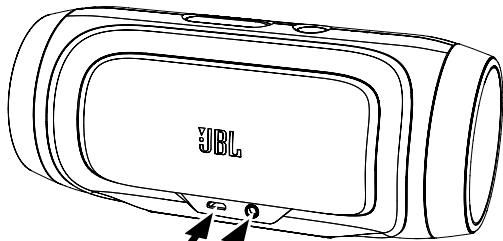


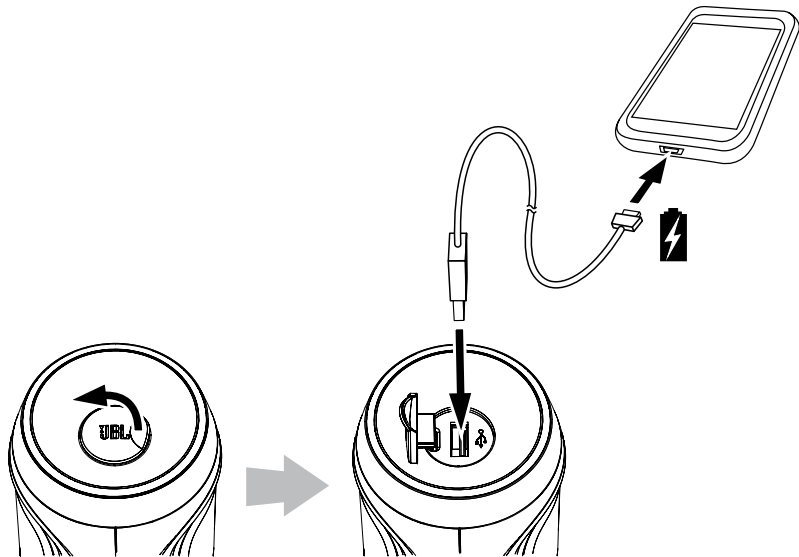
1x



1x

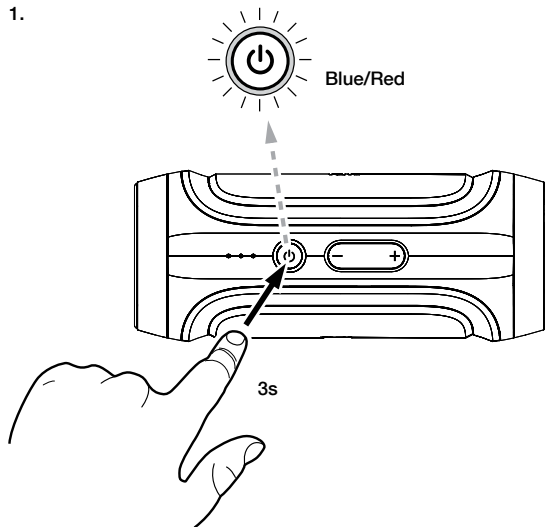




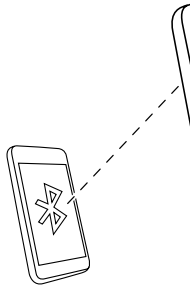




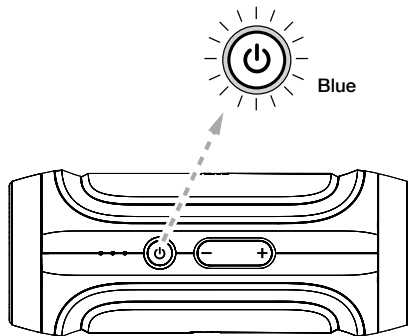
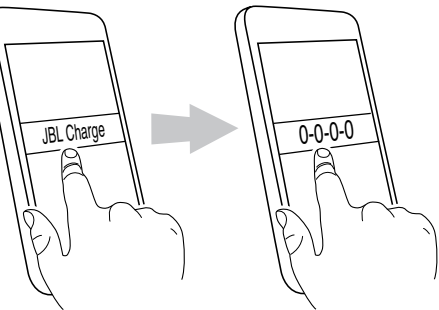
1.

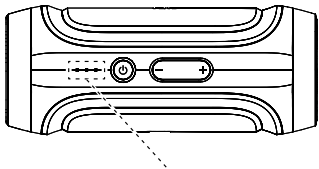


2.

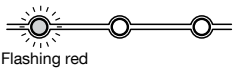


3.



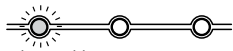


**Battery
needs charging**



Flashing red

**Battery
level low**



Continuous blue

**Battery
level medium**

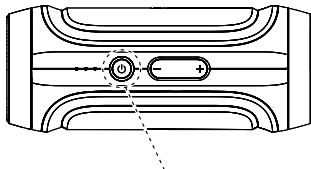


Continuous blue

**Battery
level high**



Continuous blue



Unit is off



**Unit is on;
Bluetooth
not connected**



Flashing blue

**Unit is on;
Bluetooth
in pairing mode**



Flashing blue/red

**Unit is on;
Bluetooth
connected**



Continuous blue

TEKNISET TIEDOT

Anturit: 2 x 1-1/2" (38mm)

Vahvistinteho: 2 x 5W

Taajuusvaste: 150Hz – 20kHz

Äänentoisto: >80dB

Paristo: Li-ion

Bluetooth-lahettimen taajuusalue: 2.402 – 2.480GHz

Bluetooth-lahettimen teho: 0–20dBm (EIRP)

Bluetooth-lahettimen modulaatio: $\pi/4$ -DQPSK, 8-DPSK

Kuunteluaika paristokäytöllä: > 12 tuntia

Pariston latausaika: 3.5 tuntia

Mitat (Halk. x K): 74mm x 175mm
(2-29/32 tuumaa x 6-29/32 tuumaa)

ТЕХНИЧЕСКИЕ ХАРАКТЕРИСТИКИ

Динамики: 2 x 1-1/2" (38mm)

Мощность усилителя: 2 x 5Вт

Частотная характеристика: 150Гц – 20кГц

Отношение сигнал/шум: >80дБ

Тип аккумулятора: Литий-ионный
перезаряжаемый

Диапазон частот передатчика *Bluetooth*: 2.402 – 2.480GHz

Мощность передатчика *Bluetooth*: 0–20dBm (EIRP)

Модуляция передатчика *Bluetooth*: $\pi/4$ -DQPSK, 8-DPSK

Время звучания от аккумулятора: >12 часов

Время зарядки аккумулятора: 3.5 часа

Размеры (Диаметр x В): 74mm x 175mm
(2-29/32" x 6-29/32")



HARMAN

HARMAN International Industries, Incorporated
8500 Balboa Boulevard, Northridge,
CA 91329 USA
www.jbl.com

© 2013 HARMAN International Industries, Incorporated. All rights reserved.
JBL is a trademark of HARMAN International Industries, Incorporated,
registered in the United States and/or other countries. The *Bluetooth* word
mark and logos are owned by the *Bluetooth* SIG, Inc. and any use of such
marks by HARMAN International Industries, Incorporated is under license.

Features, specifications and appearance are subject to change without notice.

Part #: 950-0479-001 Rev. A